

Thank you for purchasing this Yamaha Violin.

Before You Start.....

In order to maximize performance, and to ensure safety at all times, we recommend you read through this manual thoroughly before playing your instrument.

Taking Care of Your Instrument

Please follow the guidelines set out below to prolong the lifetime of your violin.

- Be careful when transporting your instrument. Make sure your violin is handled with care and is not subjected to any rough treatment, like bumping against other objects or dropping the instrument.
- Exposing your violin and/or bow to certain environments, particularly sudden changes of temperature, may cause severe damage. Please take the necessary precautions to protect your instrument against the following:
 - Direct sunlight.
 - Excessively high or low temperatures.
 - Excessively high or low humidity.
 - Excessive dust or strong vibration.
- Avoid leaving your violin in a car for any extended period of time. Extreme temperatures, such as during the summer and winter months, can be harmful to both your violin and bow.
- Make sure you regularly clean your instrument with a soft, dry cloth. Never use benzene, alcohol, or thinner. Never use aerosol cans, or any other sprays, within the vicinity of your violin. These will damage the lacquer and general condition of the instrument.
- Prior to shipping your violin has been adjusted and is now ready for use. However, should you feel that additional adjustments are needed please contact your local Yamaha dealer, as some alterations require specialist skills.
- Ensure that you loosen the bow hair before you put it away in your case after playing.
- Plated parts such as the adjusters, metal brackets on the neck support, etc., may tarnish over time due to the makeup of the metal plating. This, however, will have no influence on the performance of these parts. When tarnish first appears, cleaning carried out in normal maintenance and care may be enough to remove the tarnish. (If the tarnish progresses normal cleaning may not be sufficient.)
- As the instrument and many of its parts are made of natural wood, there may be some cases, depending upon the manner or environment in which the instrument is used, in which objects that come in contact with the wood (hands, parts of the body, cleaning cloth, etc.) may become blackened. Color on body parts is not harmful to your health but you should wash and remove it with water. We can not be held responsible for discoloration of clothing, etc., or the discoloration of the wood.

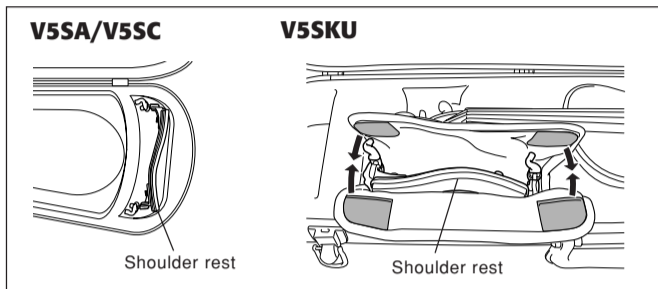
Safety Tips

Please consider the following points of safety.

- To prevent contact, always maintain sufficient distance between yourself and other people/objects when playing your violin. The shape of the bow is capable of causing harm if care is not taken at all times.
- If possible, hold your bow still when not in use. Do not swing, throw or engage in any other movements that could potentially cause damage to other people/objects, or to the bow itself.
- Take care not to pinch your hands or fingers when closing the case.

Storing the Shoulder Rest (in the case)

The case is equipped with a shoulder rest holder. Place the shoulder rest in the holder as shown in the illustration below, and secure in place with the hook and loop fastener on the edge of the fabric cover.



About the Bow

- Using the supplied rosin, apply rosin to the bow hair before use. Make sure that the rosin is applied evenly over the entire length of the bow.
- Always loosen the hair on the bow when the bow is not used.

Rotate the button to adjust the bow hair tension.



* Depending upon the region in which the violin is purchased, the bow, shoulder rest and rosin may not be included.

Tuning the Instrument

Warning!

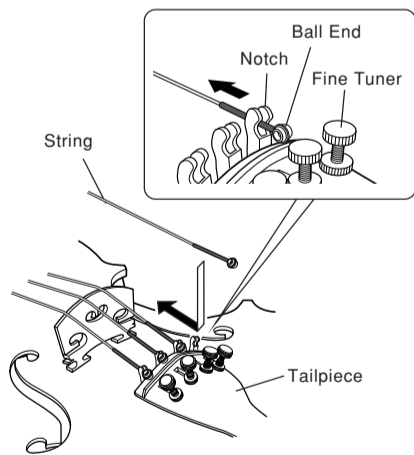
- When tuning or changing the strings, never hold the instrument close to your face. If the string breaks unexpectedly, it may result in injury to the eyes or face.
- Always change the strings one at a time, never all at once. The removal of all four strings from the violin will result in the bridge collapsing, and the tailpiece falling off. Other problems may occur.
- When tuning the strings, do not over loosen or over tighten the fine tuner. Doing so may result in damage to the violin, or cause noise disturbances during performance.

Attaching the Strings to the Tailpiece

V5SA/V5SKU

[Size 4/4, 3/4, 1/2]

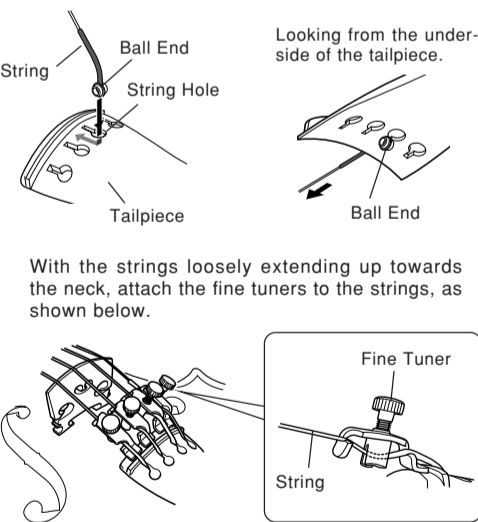
At the tailpiece, hook the string's ball end onto the fine tuner's notch.



V5SA

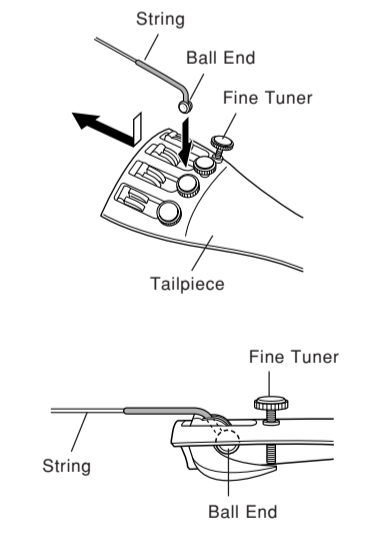
[Size 1/4, 1/8]

At the tailpiece, hook the string's ball end into the slot on the string hole.



V5SC

At the tailpiece, hook the string's ball end onto the fine tuner's notch.

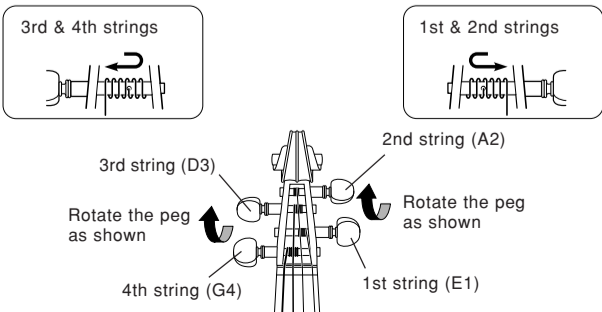


Winding the Strings

Insert the string into the hole on its corresponding tuning peg and wind the string onto the peg as shown below. Apply some pressure (push in) to the peg as you turn it.

Make two winds towards the end of the peg and the remaining winds towards the peg handle.

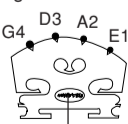
Wind the string as shown below.



Checking the Bridge's Position

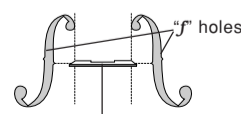
While tuning or changing the strings, check the position and angle of the bridge.

Make sure the strings are seated in their corresponding notches on the bridge.



Make sure the side of the bridge with the logo is facing the tailpiece.

Make sure the bridge is positioned between the notches in the "f" holes as shown below.



Make sure the side of the bridge with the logo is facing the tailpiece.

The side of the bridge facing the tailpiece should be at a right angle to the body of the instrument.

