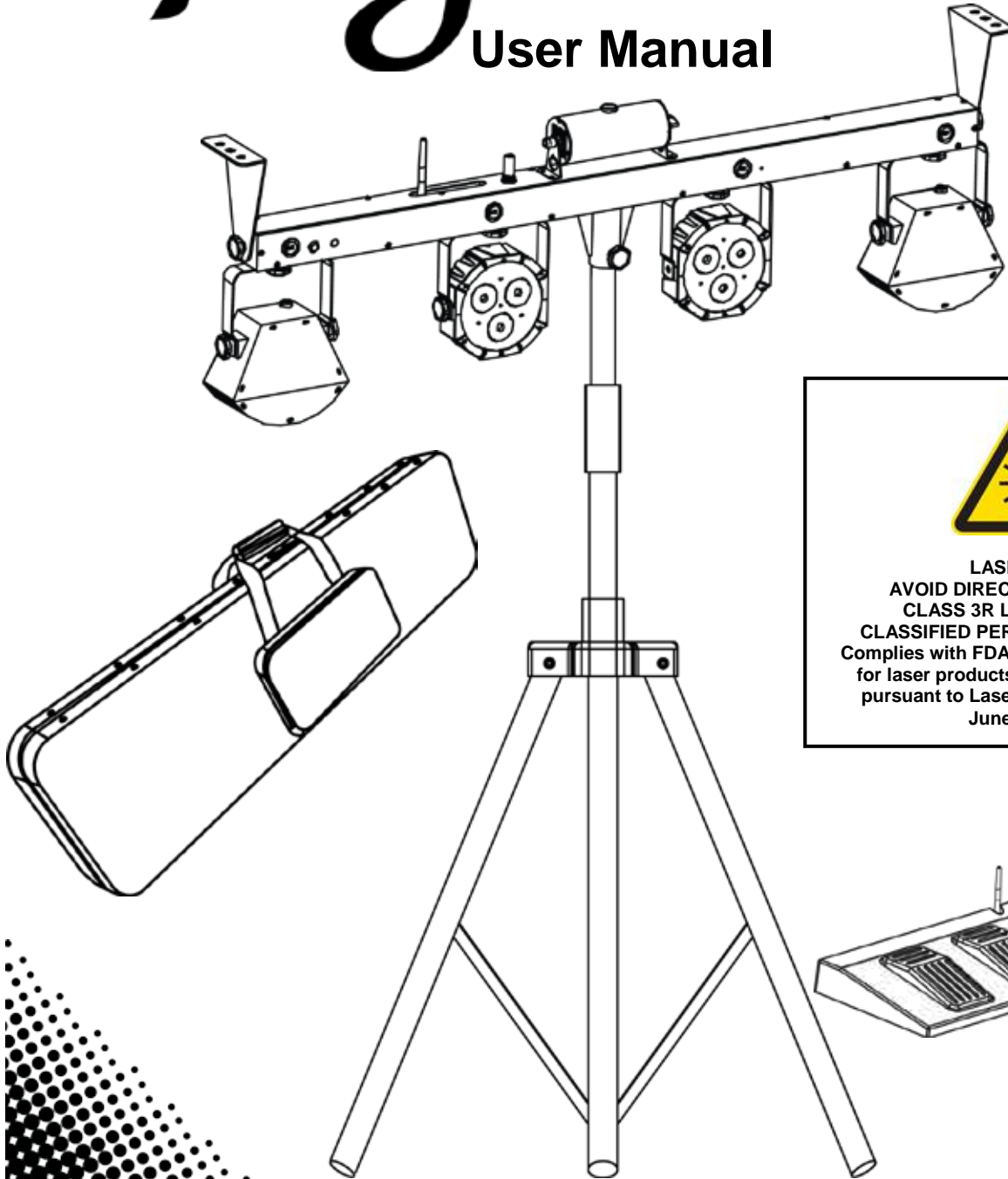


GügBAR2

User Manual



LASER LIGHT
AVOID DIRECT EYE EXPOSURE
CLASS 3R LASER PRODUCT
CLASSIFIED PER EN/IEC 60825-1:2007
Complies with FDA performance standards
for laser products except for deviations
pursuant to Laser Notice No. 50, dated
June 24, 2007.

Patent Pending



CHAUVET

TABLE OF CONTENTS

1. Before You Begin.....	8
What Is Included.....	8
Description.....	8
Unpacking Instructions.....	8
Claims.....	8
Manual Conventions.....	8
Symbols.....	8
Disclaimer.....	8
Safety Notes.....	9
Non-Interlocked Housing Warning.....	10
Laser Safety Notes.....	10
Laser Safety Label Reproduction.....	12
Laser Exposure Warning.....	13
Laser Emission Data.....	13
Laser Compliance Statement.....	13
2. Introduction.....	14
Overview.....	14
Overview.....	15
Dimensions.....	16
3. Setup.....	17
AC Power.....	17
Fuse Replacement.....	17
Footswitch Battery.....	18
Battery Replacement.....	18
Power Linking.....	18
Mounting.....	19
Orientation.....	19
Rigging.....	19
Mounting Diagram.....	19
Proper Usage.....	20
4. Operation.....	21
Control Panel Operation.....	21
Menu Map.....	21
Configuration (Standalone).....	23
Sound Mixed Effect Sound-Active Mode.....	23
Auto Mixed Effect Automatic Mode.....	23
Show Settings.....	23
Master/Slave.....	23
Mode.....	23
Master/Slave Mode (Cont.).....	24
Configuration (DMX).....	24
DMX Personality and Starting Address.....	24
Custom Color Adjustment.....	24
System Settings.....	25
Default Pod Arrangement.....	25
Examples of Pod Order Rearrangement.....	25
DMX Channel Assignments and Values.....	26
23CH.....	26
11CH.....	28

3 CH	30
IRC-6 (Infrared Remote Control 6) Operation	31
Footswitch Operation	32
5. Technical Information.....	33
Product Maintenance	33
6. Technical Specifications	34
Returns.....	36
1. Antes de Empezar.....	37
Que va Incluido.....	37
Descripción	37
Reclamaciones.....	37
Convenciones del Manual	37
Símbolos.....	37
Exención de Responsabilidad	37
Notas de Seguridad.....	38
Advertencia sobre Carcasa no Cerrada.....	39
Notas de Seguridad sobre Láser.....	39
Reproducción de la Etiqueta de Seguridad del Láser.....	41
Advertencia sobre Exposición al Láser	42
Datos de Emisión Láser	42
Declaración de Conformidad Láser.....	42
2. Introducción.....	43
Vista General.....	43
Vista General.....	44
Dimensiones.....	45
3. Configuración	46
Corriente Alterna	46
Pila del pedal.....	46
Sustitución de la pila	46
Sustitución del Fusible	47
Alimentación en Cadena	47
Montaje.....	48
Orientación	48
Colocación.....	48
Diagrama de Montaje	48
Uso Adecuado	49
4. Funcionamiento	50
Funcionamiento del Panel de Control	50
Mapa de Menú.....	50
Configuración (Independiente).....	52
Modo Efecto Mezclado de Sonido Activo por Sonido	52
Modo Efecto Mezclado Automático.....	52
Configuración del Show	52
Modo Maestro/Esclavo.....	53
Configuración (DMX).....	54
Personalidad DMX y Dirección de Inicio	54
Ajuste de Color Personalizado	54
Configuración de Sistema	55
Disposición de las Unidades por Defecto	55
Ejemplos de Recolocación del Orden de las Unidades.....	55
Asignaciones de Canal y Valores DMX	56

23CH	56
11CH	59
3 CH	60
Funcionamiento del IRC-6 (Control Remoto por Infrarrojos 6)	61
Funcionamiento del Conmutador de Pie	62
5. Información Técnica	63
Mantenimiento del Producto	63
6. Especificaciones Técnicas	64
Devoluciones	66
1. Avant de Commencer	67
Contenu	67
Description	67
Instructions de Déballage	67
Réclamations	67
Conventions Manuelles	67
Symboles	67
Clause de Non Responsabilité	68
Consignes de Sécurité	68
Avertissement de Boîtier non-Verrouillé	70
Consignes de Sécurité des Lasers	70
Reproduction de l'Etiquette de Sécurité Laser	72
Avertissement d'Exposition au Laser	73
Données d'émission laser	73
Déclaration de Conformité Laser	73
2. Introduction	74
Vue d'Ensemble	74
Vue d'Ensemble	75
Dimensions	76
3. Configuration	77
Alimentation CA	77
Remplacement des fusibles	77
Chaînage Électrique	77
Installation	78
Orientation	78
Montage	78
Schéma de Montage	78
Utilisation Appropriée	79
4. Fonctionnement	80
Utilisation du panneau de commande	80
Plan du Menu	80
Configuration (Autonome)	82
Mode effet Mélangé Activé par le Son	82
Mode Effet Mélangé Automatique	82
Paramètres du Spectacle	82
Mode Maître/Esclave	83
Configuration (DMX)	84
Personnalité DMX et Adresse DMX de Départ	84
Réglage de Couleur Personnalisé	84
Paramètres système	85
Disposition par Défaut des Modules	85

Des Exemples de Modification de l'Ordre des Modules	85
Affectation de Canaux DMX et Valeurs	86
23CH	86
11CH	89
3 CH	90
Fonctionnement avec l'IRC-6 (Télécommande par infrarouge 6)	91
Fonctionnement avec la Pédale	92
Batterie de la pédale	93
Remplacement de la batterie	93
5. Informations Techniques	93
Entretien de l'Appareil	93
6. Spécifications Techniques	94
Renvois	96
1. Erste Schritte	97
Packungsinhalt	97
Beschreibung.....	97
Schadens-meldung	97
Konventionen des Handbuchs	97
Symbole.....	97
Haftungsaus-schluss	98
Sicherheits-hinweise.....	98
Achtung! Kein Schutz bei geöffnetem Gehäuse	99
Hinweise zur Laser-sicherheit	99
Warn- und Sicherheitsschilder auf dem Lasergerät.....	101
Laserexposition – Warnung	102
Laseremissions-daten	102
Laser-Konformitäts-erklärung.....	102
2. Einleitung	103
Übersicht	103
Übersicht	104
Abmessungen.....	105
3. Einrichten des Geräts	106
Wechselstrom.....	106
Auswechseln der Sicherung.....	106
Verriegelungsstecker	107
Reihenschaltung der Geräte	107
Montage.....	107
Montagerichtung.....	107
Hängende Montage.....	107
Montageansicht	107
Bestimmungs-gemäße Verwendung	108
4. Betrieb	109
Betrieb des Bedienfeldes	109
Menüstruktur.....	109
Konfiguration (Stand-alone)	112
Musiksteuerungs-Modus für musik-gesteuerten Mischeffekt.....	112
Auto-Modus für automatischen Mischeffekt.....	112
Show-Einstellungen	112
Master/Slave-	113
Modus.....	113

Konfiguratie (DMX).....	114
DMX-Eigenschappen en -Startadres	114
Gebruiker-definiëerde Kleuraanpassing.....	114
Systeeminstellingen	115
Standaardmatige Stralingsaanordning.....	115
Voorbeelden voor het opnieuw aanordnen van Stralingsbronnen.....	115
DMX-Kanaal – Toewijzingen en Waarden.....	116
23CH	116
11CH	119
3 CH	120
Bedrijf van de IRC-6 (Infrarood-Verrebediening 6).....	121
Bedrijf van de Voetschakelaar	122
Batterij voor Voetschakelaar.....	123
Vervanging van de Batterij	123
5. Technische Informatie	123
Onderhoud van het Apparaat	123
6. Technische Gegevens	124
Reklames	126
1. Voordat u begint	127
Wat is er inbegrepen	127
Beschrijving	127
Claims	127
Overeenkomsten van deze handleiding	127
Symbolen.....	127
Disclaimer	127
Veiligheidsvoorschriften	128
Niet-bevestigde waarschuwing op de behuizing.....	129
Veiligheidsvoorschriften voor de laser	129
Reproductie van veiligheidsetiket voor de laser.....	131
Blootstellingswaarschuwing van de laser	132
Emissiegegevens van de laser	132
Nalevingsverklaring van de laser	132
2. Inleiding.....	133
Overzicht	133
Overzicht	134
Afmetingen	135
3. Instelling.....	136
AC-stroom	136
Vervangen van de zekering	136
Vergrendelingsstekker	136
Power Linking.....	136
Montage.....	137
Oriëntatie.....	137
Opbouw	137
Montagediagram	137
Correct gebruik.....	138
4. Werking	139
Werking van het bedieningspaneel	139
Menu Map.....	139
Configuratie (losstaand)	141

Gemengd geluidseffect in de geluidsactieve modus.....	141
Automatisch gemengd effect in de automatische modus	142
Show-instellingen	142
Master/Slave	142
-Modus	142
Master/Slave	142
Modus (vervolgd).....	142
Configuratie (DMX).....	143
DMX-persoonlijkheid en startadres	143
Aangepaste kleureninstelling	143
Systeeminstellingen.....	144
Standaard pod-samenstel	144
Voorbeelden van nieuwe samenstelling van de podvolgorde.....	144
DMX-kanaaltoewijzingen en waarden.....	145
23CH	145
11CH	148
3 CH	149
Werking IRC-6 (infrarood afstandsbediening 6).....	150
Bediening van de voetschakelaar	151
Batterij van de voetschakelaar	152
Vervanging van de batterij	152
5. Technische informatie.....	152
Productonderhoud	152
6. Technische Specificaties	153
Retouren.....	155
Contact Us.....	156

1. BEFORE YOU BEGIN

What Is Included

- GigBAR 2
- Power Cord
- 2 L-Brackets
- Wireless Footswitch with Battery
- VIP Gear Bag
- Tripod Stand
- Tripod Carry Bag
- Warranty Card
- User Manual

Description

The GigBAR 2 is the ultimate all-in-one system that includes two RGB LED rotating derby effects, two high-power Quad-color LED PARs, a red/green laser and a white/UV strobe multi-output effect. Easily allows for separate color and program control of each of the individually adjustable heads. IRC-6 remote control sold separately.

Unpacking Instructions

Carefully unpack the product immediately and check the box to make sure all the parts are in the package and are in good condition.

Claims




If the box or the contents (the product and included accessories) appear damaged from shipping or show signs of mishandling, notify the carrier immediately, not Chauvet. Failure to do so in a timely manner may invalidate your claim with the carrier. In addition, keep the container and all the packing material for inspection.

For other issues, such as missing components or parts, damage not related to shipping, or concealed damage, file a claim with Chauvet within 7 days of delivery.

Manual Conventions

Convention	Meaning
1–512	A range of values
50/60	A set of values of which only one can be chosen
Settings	A menu option not to be modified
Menu > Settings	A sequence of menu options to be followed
<ENTER>	A key to be pressed on the product's control panel
ON	A value to be entered or selected

Symbols

Symbol	Meaning
	Critical installation, configuration, or operation information. Ignoring this information can cause the product to not work, damage it, or cause harm to the operator.
	Important installation or configuration information. The product may not function correctly if this information is not used.
	Useful information.

Disclaimer

Chauvet believes that the information contained in this manual is accurate in all respects. However, Chauvet assumes no responsibility and specifically disclaims any and all liability to any party for any loss, damage or disruption caused by any errors or omissions in this document, whether such errors or omissions result from negligence, accident or any other cause. Chauvet reserves the right to revise the content of this document without any obligation to notify any person or company of such revision, however, Chauvet has no obligation to make, and does not commit to make, any such revisions. Download the latest version from www.chauvetlighting.com.

The works of authorship contained in this manual, including, but not limited to, all design, text and images are owned by Chauvet.

© Copyright 2016 Chauvet & Sons, LLC. All rights reserved.

Electronically published by Chauvet in the United States of America.

CHAUVET, the Chauvet logo, and GigBAR 2 are registered trademarks or trademarks of Chauvet & Sons, LLC. (d/b/a Chauvet and Chauvet Lighting) in the United States and other countries. Other company and product names and logos referred to herein may be trademarks of their respective companies.

Safety Notes

The Safety Notes include important laser system safety information. Read and understand all instructions before powering on the laser for the first time. Knowing these safety instructions is crucial to avoiding laser eye injury and breaking the law. Keep this User Manual in a safe place for future reference.



STOP AND READ ALL LASER SAFETY DATA



- Lasers can be hazardous and have unique safety considerations. Permanent eye injury and blindness is possible if lasers are used incorrectly. Pay close attention to each safety REMARK and WARNING statement in this User Manual. Read all instructions carefully BEFORE operating this device.
- Always connect the product to a grounded circuit to avoid the risk of electrocution.
- Always disconnect the product from the power source before cleaning.
- Avoid direct eye exposure to the light source while the product is on.
- Make sure the power cord is not crimped or damaged.
- Never disconnect the product from power by pulling or tugging on the cord.
- If mounting the product overhead, always secure to a fastening device using a safety cable.
- Make sure there are no flammable materials close to the product when operating.
- Do not touch the product's housing when operating because it may be very hot.



- This product is not intended for permanent installation.
- Always make sure that the voltage of the outlet to which you are connecting the product is within the range stated on the decal or rear panel of the product.
- The product is for indoor use only! (IP20) To prevent risk of fire or shock, do not expose the product to rain or moisture.
- Always install the product in a location with adequate ventilation, at least 20 in (50 cm) from adjacent surfaces.
- Be sure that no ventilation slots on the product's housing are blocked.
- Never connect the product to a dimmer.
- Always use the mounting bracket to carry the product.
- Do not switch the product on/off in short intervals. This will reduce the laser diode life.
- Do not shake this product. Avoid brute force when mounting or operating this product.
- ALWAYS use a safety cable when mounting the product overhead.
- The ambient operating temperature for the laser is 59 °F to 95 °F (15 °C to 35 °C). Do not operate this product outside this range.
- In the event of a serious operating problem, stop using the product immediately.
- Never try to repair the product. Repairs carried out by unskilled people can lead to damage or malfunction. Contact the nearest authorized technical assistance center.
- To eliminate unnecessary wear and improve the lifespan, during periods of non-use completely disconnect the products from power via breaker or by unplugging it.



CAUTION! Use of controls, adjustments, or procedures other than THOSE specified IN THIS USER MANUAL may result in hazardous radiation exposure.



- Chauvet requires the placement of sandbags on the base of the stand for added stability.**
- DO NOT go past the printed stopping point on the mast.**



- DO NOT over-tighten the knob at the tripod mounting insertion point, as it may damage the mast of the stand.**
- DO NOT use this stand in any way that it was not intended.**



- Avoid direct eye contact with laser light. Never intentionally expose your eyes or others to direct laser light.
- This laser product can potentially cause instant eye injury or blindness if laser light directly strikes the eyes.
- It is illegal and dangerous to shine this laser into audience areas, where the audience or other personnel could get direct laser beams or bright reflections into their eyes.
- It is a U.S. federal offense to shine any laser at aircraft.
- Use of controls, adjustments, or procedures other than those specified in this User Manual may result in hazardous radiation exposure.
- **DO NOT attempt any repairs. Repairs and servicing must be carried out by a certified technician. Unauthorized modifications are forbidden for safety reasons!**



- **Keep this User Manual for future consultation. If transferring ownership of the product to another user, be sure this document is kept with the laser.**

Non-Interlocked Housing Warning

- This unit contains high power laser devices internally.
- Do not open the laser housing, due to potential exposure to unsafe levels of laser radiation.
- The laser power levels, accessible if the unit is opened, can cause instant blindness, skin burns, and fires.

Laser Safety Notes



STOP AND READ ALL THE LASER SAFETY NOTES BELOW



Laser light is different from any other light. Laser light can cause eye injury if the product is not set up and used properly. Laser light is a thousand times more concentrated than any other kind of light. This concentration can cause instant eye injuries by burning the retina (the light-sensitive portion at the back of the eye). The heat from a laser light cannot be felt, but it can still injure or blind product operators and the audience. Even very small amounts of laser light at long distances are potentially hazardous.

DO NOT assume that exposure to an individual laser beam is safe, even a tiny beam split off from a larger beam. This laser product uses dozens of milliwatts of laser power—Class 3B levels internally—and splits them into multiple beams—Class 3R levels. The individual Class 3R level beams are potentially hazardous to the eyes.

DO NOT assume that a moving laser light is safe. Laser light is never without risk. Since eye injuries can occur instantly, it is critical to prevent the possibility of ANY direct eye exposure. According to laser safety regulations, it is not legal to aim Class 3R lasers into areas where people can be exposed, even if the laser is aimed below people's faces, such as at a dance floor.

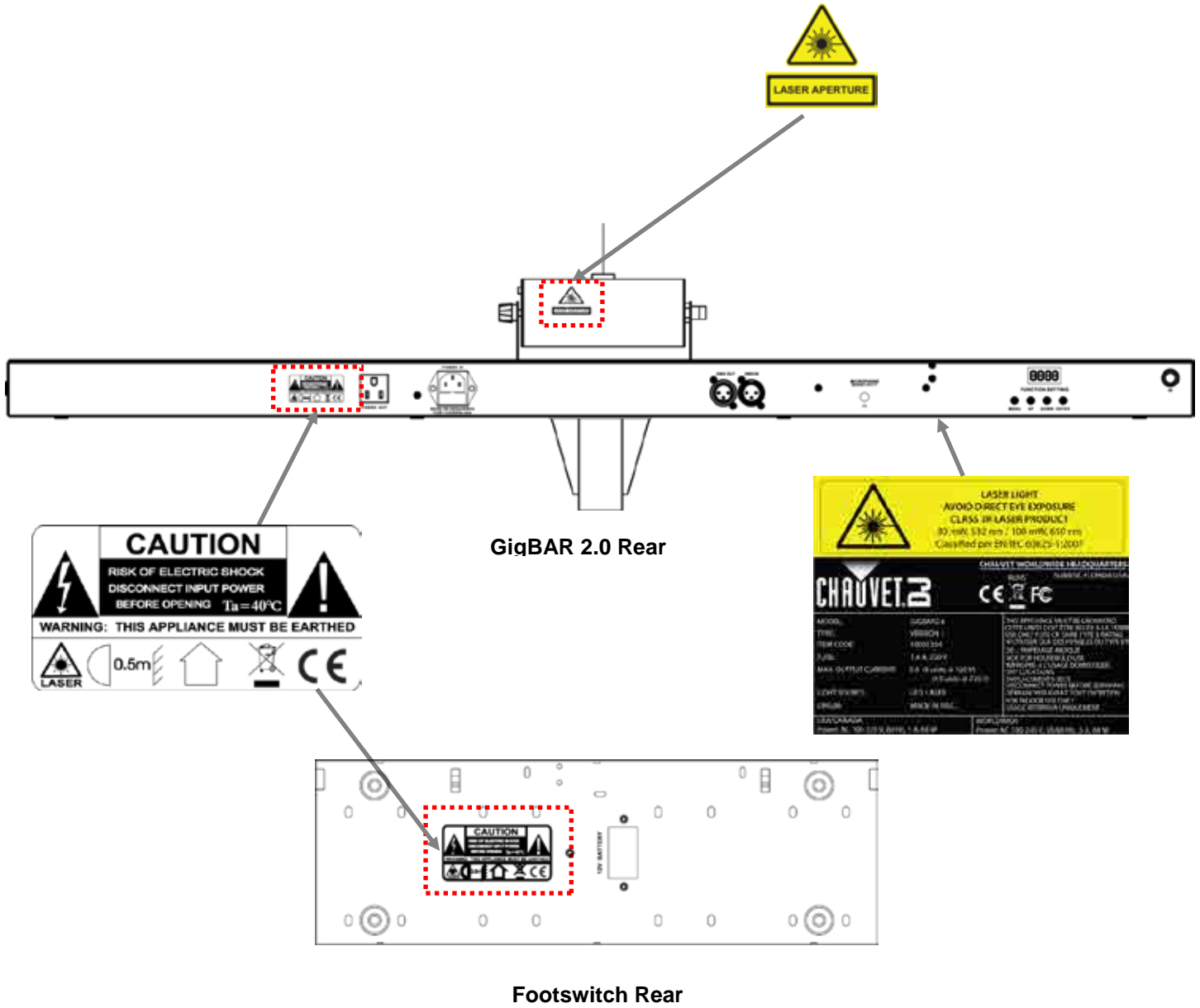
-
- Do not operate the laser without first reading and understanding all the safety and technical data in this manual.
 - ALWAYS set up and install all laser effects so that any laser light is at least 3 meters (9.8 feet) above the floor on which people are standing. See the [Proper Usage](#) section of this manual.
 - After setup, and prior to public use, test the lasers to ensure they are functioning properly. Do not use the product if any defect is detected.
 - DO NOT use laser if it is emitting only one or two beams, rather than dozens/hundreds, as this indicates damage to the diffraction grating optic, and allows emission of laser levels higher than Class 3R.
 - DO NOT point lasers at people or animals.
 - DO NOT look into the laser aperture or laser beams.
 - DO NOT point lasers into areas where people could be exposed to them..
 - DO NOT point lasers at highly reflective surfaces such as windows, mirrors, and shiny metal. Even laser reflections can be hazardous.
 - Never point a laser at aircraft; this is a U.S. federal offense.
 - Never point un-terminated laser beams into the sky.
 - Do not expose the output optic (aperture) to harsh cleaning chemicals.
 - Do not use the laser if the housing is damaged, open, or if the optics appear damaged in any way.
 - Never open the laser housing. The high laser power levels inside of the protective housing can start fires or burn skin, and will cause instant eye injury.
 - Never leave this product running unattended.
 - The operation of a Class 3R laser show is allowed only if the lasers are operated by a skilled and well-trained professional, who is familiar with the data included in this manual.
 - The legal requirements for using laser entertainment products vary from country to country. The user is responsible for the legal requirements in the location/country of use.



CAUTION! Do not operate this device in ways not specified in this User Manual. Failure to follow the instructions will void the warranty, may damage the product, or injure the user or the audience.

CAUTION! This product cannot be discarded with household waste. Contact your local waste management service for electronic disposal regulations in your area.

Laser Safety Label Reproduction



Laser Exposure Warning **LASER LIGHT AVOID DIRECT EYE EXPOSURE****Warning**

Further guidelines and safety programs for safe use of lasers can be found in the ANSI Z136.1 Standard "For Safe Use of Lasers", available from the Laser Institute of America: www.laserinstitute.org. Many local governments, corporations, agencies, military, and others, require all lasers to be used under the guidelines of ANSI Z136.1. Laser Display guidance can be obtained via the International Laser Display Association: www.laserist.org.

Laser Emission Data

As measured under IEC measurement conditions for classification

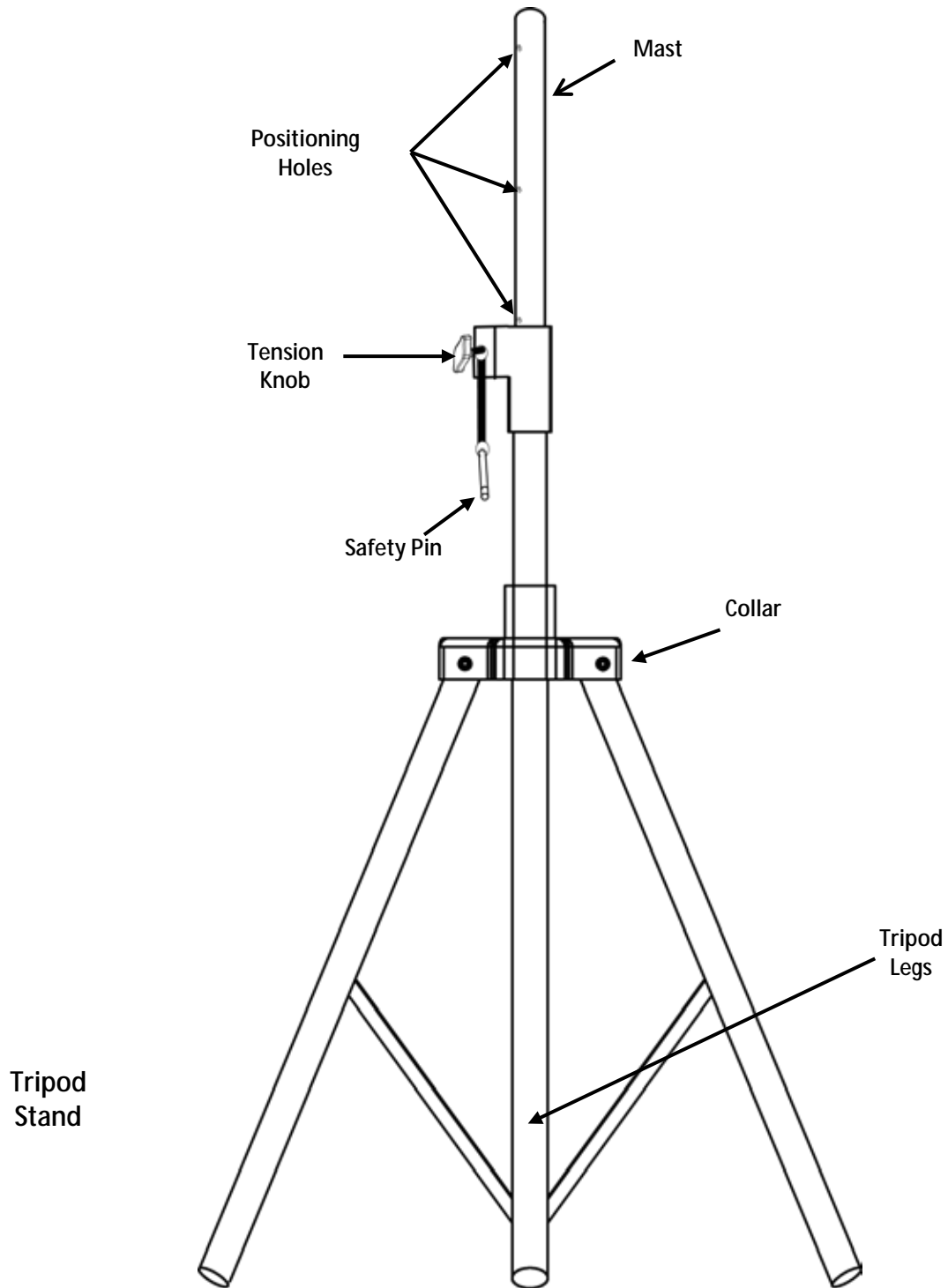
Laser Classification	Class 3R
Green Laser Medium	DPSS Nd:YVO4, 532 nm/30 mW
Red Laser Medium	LD GaAlAs, 650 nm/100 mW
Beam Diameter	<5 mm at aperture
Pulse Data	All pulses < 4 Hz (>0.25 sec)
Divergence (each beam)	<2 mrad
Divergence (total light)	<160 degrees
Laser Power of Each Beam from Aperture	<5 mW

Laser Compliance Statement

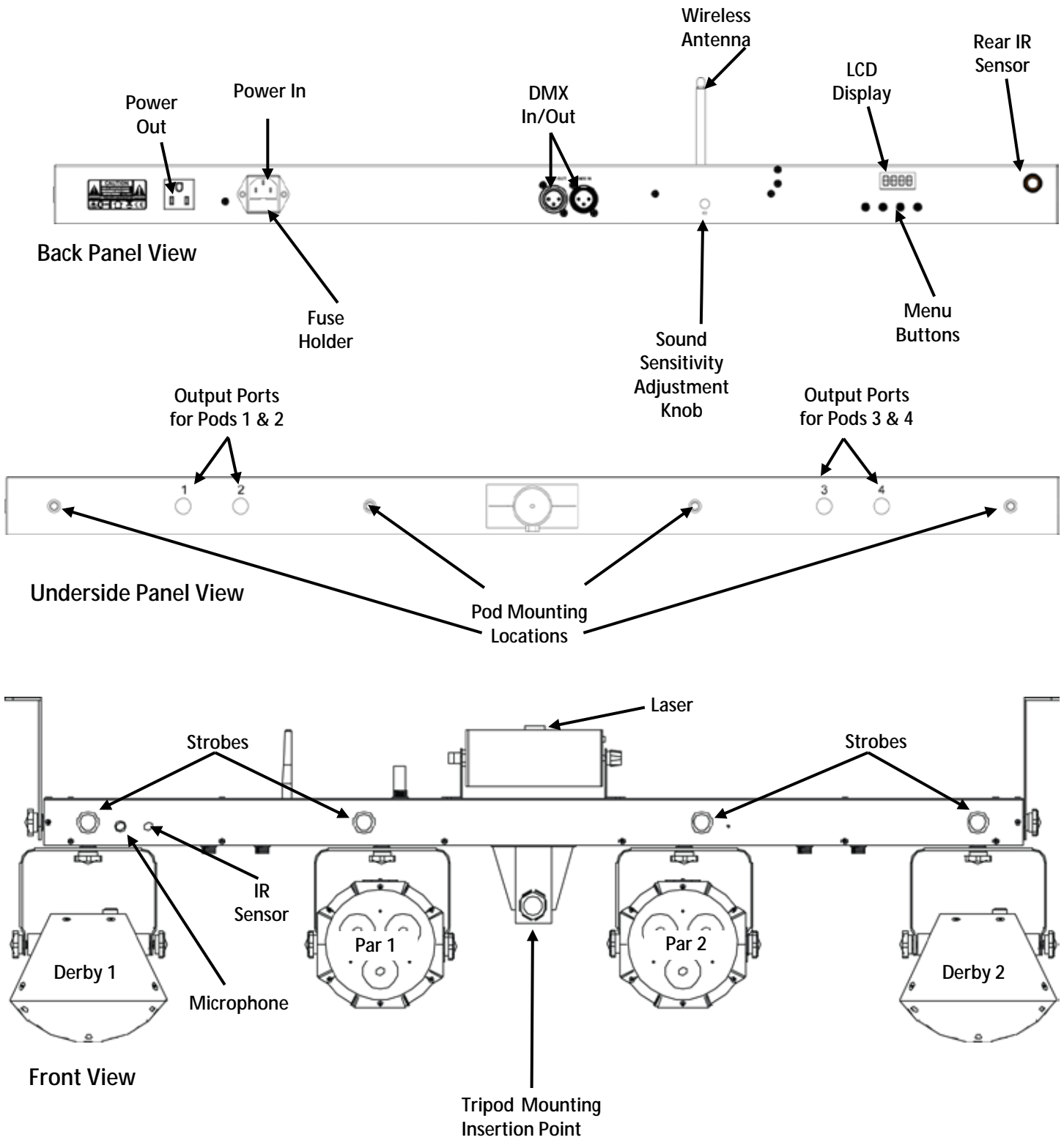
This laser product complies with EN/IEC 60825-1 Ed 2, 2007-03, and U.S. FDA/CDRH FLPPS via the terms of Laser Notice No. 50 dated June 24, 2007. This laser device is classified 3R. (Class 3R is the international equivalent of U.S. Class IIIa.) No maintenance is required to keep this product in compliance with laser performance standards.

2. INTRODUCTION

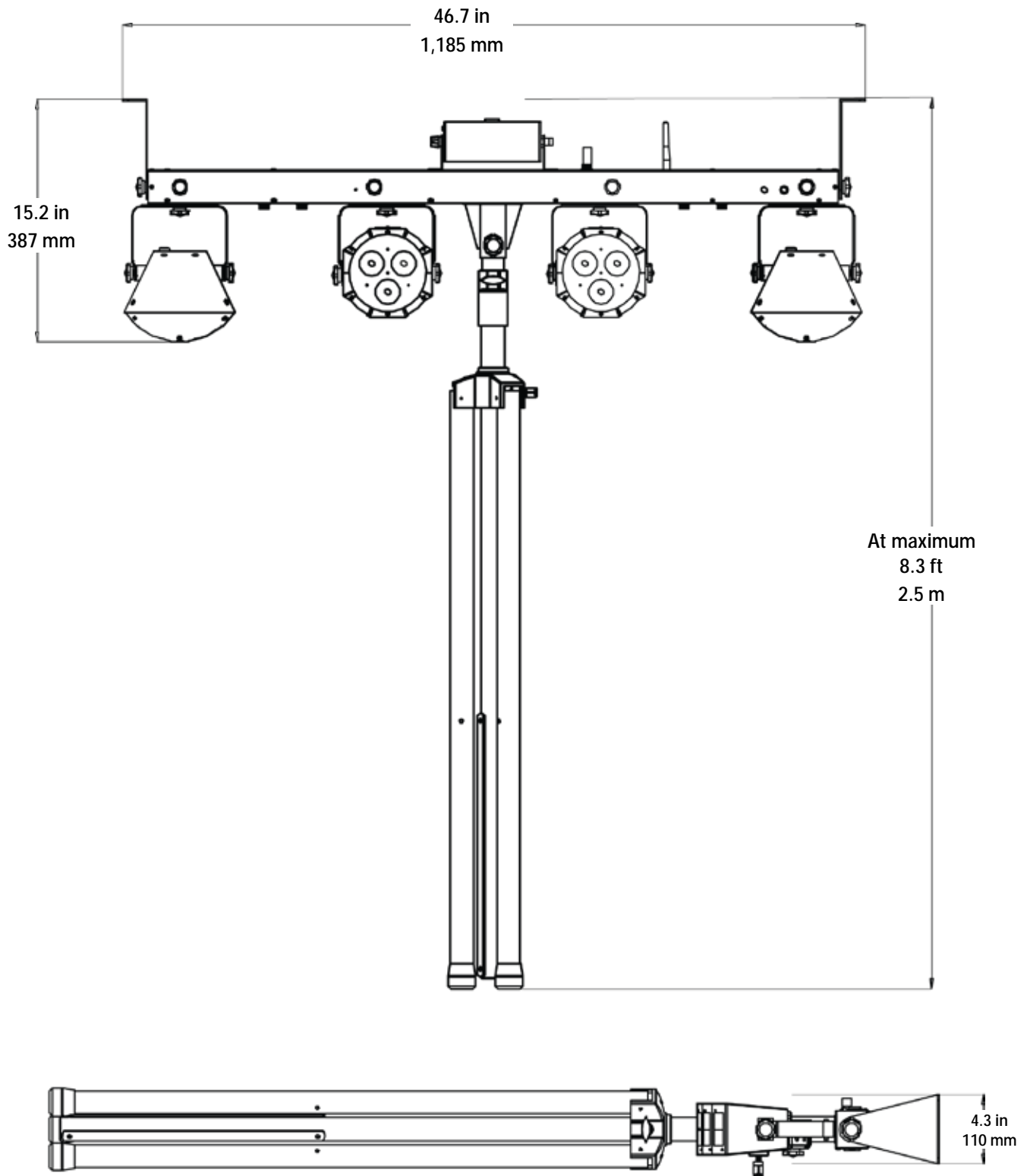
Overview



Overview (Cont.)



Dimensions



3. SETUP

AC Power The GigBAR 2 has an internal auto-ranging power supply and it can work with an input voltage range of 100 to 240 VAC, 50/60 Hz.

To determine the product's power requirements (circuit breaker, power outlet, and wiring), use the current value listed on the label affixed to the product's back panel, or refer to [Technical Specifications](#) in this manual. The listed current rating indicates the product's average current draw under normal conditions.



- **Always connect the product to a protected circuit (circuit breaker or fuse). Make sure the product has an appropriate electrical ground to avoid the risk of electrocution or fire.**
- **To eliminate wear and improve its lifespan, during periods of non-use completely disconnect from power via breaker or by unplugging it.**



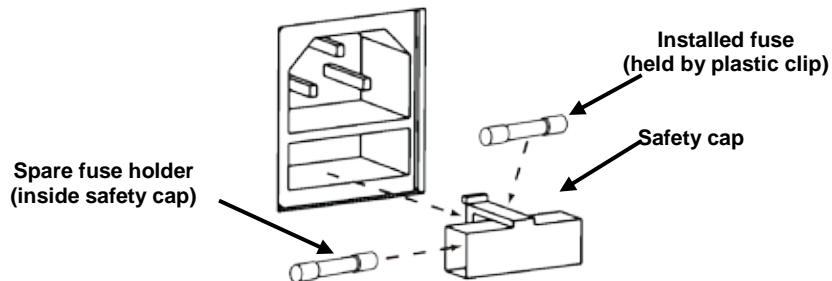
Never connect the product to a rheostat (variable resistor) or dimmer circuit, even if the rheostat or dimmer channel serves only as a 0 to 100% switch.

Fuse Replacement

1. Disconnect the product from power.
2. Wedge the tip of a flat-head screwdriver into the slot of the fuse holder.
3. Pry the fuse holder out of the housing.
4. Remove the blown fuse from the holder.
5. Replace with a fuse of the exact same type and rating.
6. Insert the fuse holder back in place and reconnect power.



Disconnect the product from power before replacing the fuse.



The product does not ship with a spare fuse; however, the safety cap has room for a spare.



Always replace a blown fuse with a fuse of the same type and rating.

Footswitch Battery The wireless footswitch uses a 12-volt battery located under the battery cover on the bottom of the product, which can be replaced when necessary.

To replace the battery in the wireless footswitch:

Battery Replacement

1. Turn the power switch to the Off position.
2. Remove the battery cover by removing 2 screws with a Phillips-head screwdriver.
3. Remove the old battery from the housing and unplug it from the leads.
4. Replace with a new 12-volt battery, ensuring that the positive (+) and negative (-) leads correspond to the correct electrodes on the battery.
5. Place the battery into the housing and cover with the battery cover.
6. Secure the battery cover with the 2 Phillips-head screws.



Do NOT overtighten the screws!

Power Linking

Power linking is when products are daisy chained together through the power in and power out plugs, allowing many products to be powered from one wall outlet.

Up to 8 GigBAR 2 products can be power linked at 120 V, and up to 15 GigBAR 2 products can be power linked at 230 V.

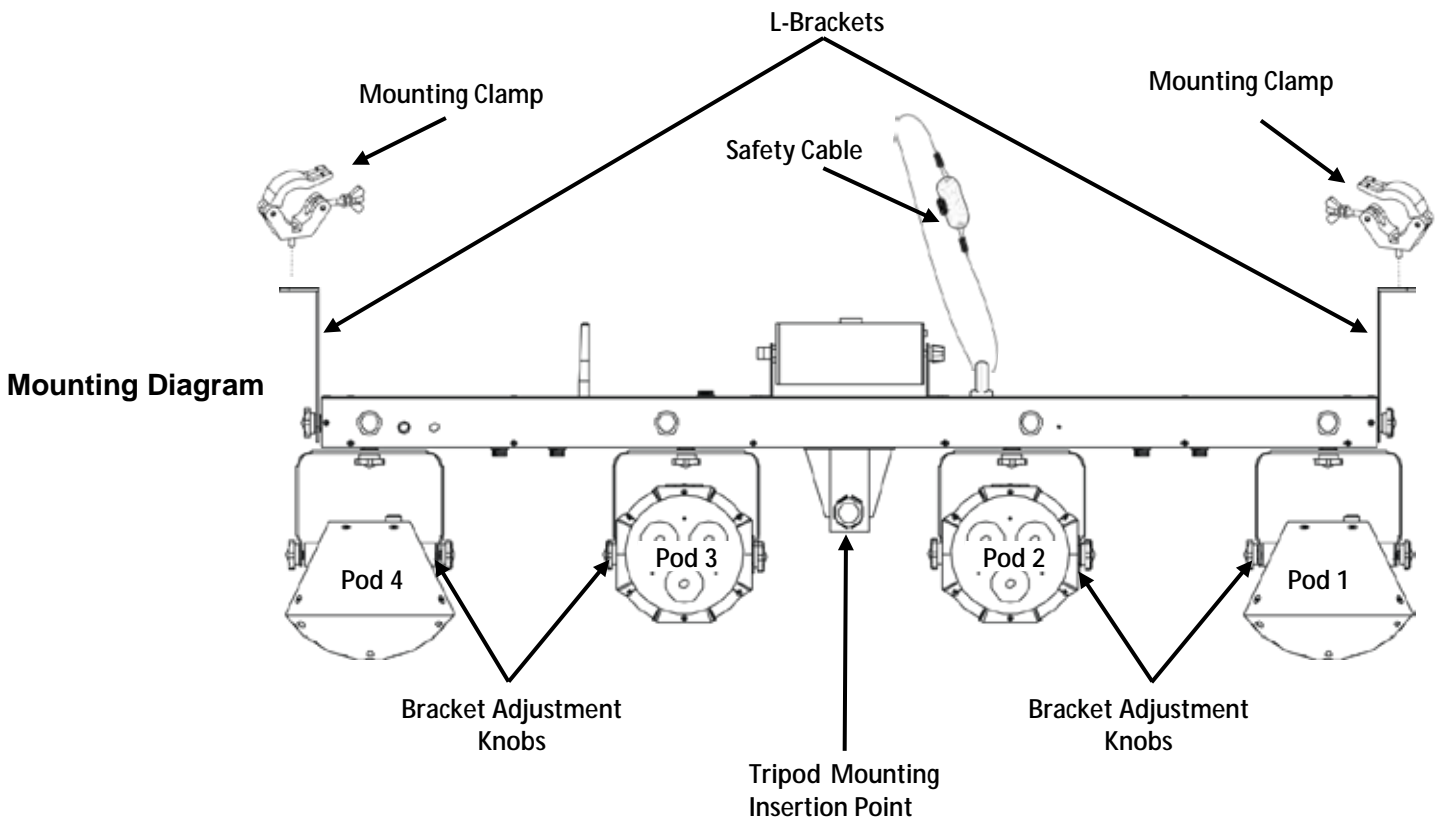


Do not power link more than 8 GigBAR 2 on 120 V.
Do not power link more than 15 GigBAR 2 on 230 V.

Mounting Before mounting the product, read and follow the safety recommendations indicated in the [Safety Notes](#).

Orientation The GigBAR 2 must be mounted in a position that includes planning for safe laser usage. In addition, make sure adequate ventilation is provided around the product.

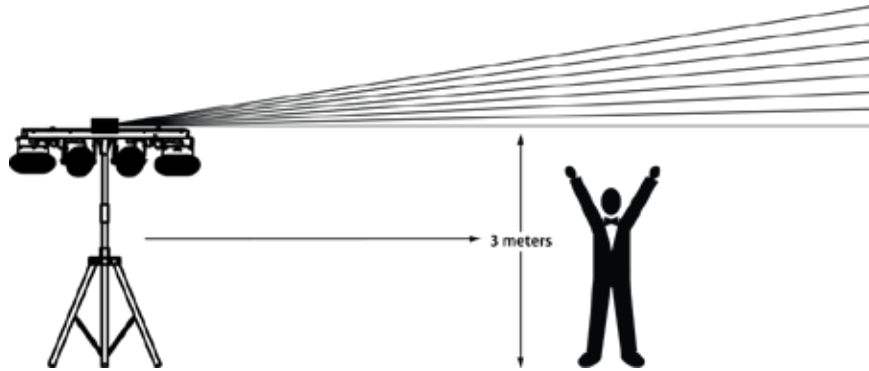
- Rigging**
- Before deciding on a location for the product, always make sure there is easy access to the product for maintenance and programming.
 - Make sure that the structure or surface onto which you are mounting the product can support the product's weight (see [Technical Specifications](#)).
 - When mounting the product overhead, always use a safety cable (such as **CH-05** from Chauvet). Mount the product securely to a rigging point, such as an elevated platform or a truss.
 - The bracket adjustment knobs allow for directional adjustment when aiming the product to the desired angle. Only loosen or tighten the bracket knobs manually. Using tools could damage the knobs.
 - When mounting to the tripod, be sure the stand is tightened properly and leveled.



Proper Usage

This product is for overhead mounting only. For safety purposes, Chauvet recommends mounting lighting effect products on steady elevated platforms or sturdy overhead supports using suitable hanging clamps. In all cases, use safety cables. Obtain appropriate mounting hardware from your lighting vendor.

International laser safety regulations require that laser products must be operated in the fashion illustrated below, with a minimum of 3 meters (9.8 ft) of vertical separation between the floor and the lowest laser light. Additionally, 3 meters of horizontal separation is required between laser light and audience or other public spaces.



CAUTION! Use of controls, adjustments, or procedures other than **THOSE** specified **IN THIS USER MANUAL** may result in hazardous radiation exposure.



- Chauvet requires the placement of sandbags on the base of the stand for added stability.
- **IMPORTANT: DO NOT** go past the printed stopping point on the mast.



- **DO NOT** over-tighten the knob at the tripod mounting insertion point, as it may damage the mast of the stand.
- **DO NOT** use this stand in any manner for which it was not intended.

4. OPERATION

This product is not designed for continual use. Make sure there are regular breaks during operation to maximize the life of your laser. Always disconnect the GigBAR 2 from power when not in use.

Control Panel Operation

To access the control panel functions, use the four buttons located underneath the display. When the product is on, the LED monitor on the rear panel will show the current operating mode (standalone or DMX). The product will retain the last saved settings when powered off.



Button	Function
<MENU>	Selects an operation mode or backs out of the current menu option
<UP>	Scrolls up the list of options or selects a higher value
<DOWN>	Scrolls down the list of options or selects a lower value
<ENTER>	Activates a menu option or a selected value

Menu Map

Mode	Programming Levels		Description
AUTO Mixed Effect	AM**	AM01–AM02	Selects the auto mixed effect show
		F 01–F 99	Selects auto mixed effect speed
SOUND Mixed Effect	SM**	SM01–SM02	Selects the sound mixed effect show
		F 01–F 99	Selects the sound mixed effect speed
SHOW Settings	SHOW		After pressing <ENTER>, selects different show settings, in which you can choose mixed style effects show or Par-only effects.
Auto Par Effect	AP**	AP01–AP07	Selects the Par show
		F 01–F 99	Selects the Par show speed
Auto Derby Effect	AK01	F 01–F 99	Selects the Derby auto speed
Auto Laser Effect	AL01	F 01–F 99	Selects the laser auto show speed
Auto Strobe Effect	AS**	AS01–AS22	Selects the auto strobe shows
		F 01–F 99	Selects the auto strobe show speed
Auto Par+Derby	APK1	F 01–F 99	Selects the Par and Derby auto show speed
Auto Par + Laser	APL1	F 01–F 99	Selects the Par and laser auto show speed
Auto Par + Strobe	APS1	F 01–F 99	Selects the Par and strobe show speed
Auto Derby + Laser	AKL1	F 01–F 99	Selects the Derby and laser auto show speed
Auto Derby + Strobe	AKS1	F 01–F 99	Selects the Derby and strobe auto who speed
Par + Derby + Laser	APKL	F 01–F 99	Selects the Par, Derby, and laser show speed
Par + Derby + Strobe	APKS	F 01–F 99	Selects the Par, Derby, and strobe speed
Par + Laser + Strobe	APLS	F 01–F 99	Selects the Par, laser, and strobe show speed
Derby + Laser + Strobe	AKLS	F 01–F 99	Selects the Derby, laser, and strobe speed
Sound Par Effect	SP**	SP01–SP07	Set Pars to Sound mode

Mode	Programming Levels			Description	
Sound Derby Effect	SK01			Sets Derby Lights to Sound mode	
Sound Laser Effect	SL01			Sets laser to Sound mode	
Sound Strobe Effect	SS**	SS01–SS22		Sets strobes to Sound mode and selects effect speed	
Sound Par + Derby	SPK1			Sets Pars and Derby Lights to Sound mode	
Sound Par + Laser	SPL1			Sets Pars and laser Sound mode	
Sound Par + Strobe	SPS1			Sets Pars and strobes to Sound mode	
Sound Derby + Laser	SKL1			Sets Derby Lights and laser to Sound mode	
Sound Derby + Strobe	SKS1			Sets Derby Lights and strobes to Sound Mode	
Par + Derby + Laser	SPKL			Sets Pars, Derby Lights and laser to Sound mode	
Par + Derby + Strobe	SPKS			Sets Pars, Derby Lights and strobes to Sound mode	
Par + Laser + Strobe	SPLS			Sets Pars, laser and strobes to Sound mode	
Derby + Laser + Strobe	SKLS			Sets Derby Lights, laser and strobes to Sound mode	
General COLOR Setting	CoLo	R**	R000–R255	Sets both Par and Derby red values	Note: ONLY 3 of the 4 colors may be used at the same time.
		G**	G000–G255	Sets both Par and Derby green values	
		B**	B000–B255	Sets both Par and Derby blue values	
		U**	U000–U255	Sets the UV values for the Par and strobes	
DMX Mode Setting	d001–d512	3 CH		Sets DMX starting address; selects the DMX personality DMX range restricted by number of channels in the selected DMX mode	
		11 CH			
		23 CH			
Master/Slave Setting	Slav			Sets to Slave mode	
System Options	Sys	dSET	1234	Changes arrangement of pods	
		rSEt		Resets to factory defaults	
		WiFi	on	Turns on/off Wi-Fi antenna for wireless footswitch	
off					

Configuration (Standalone)

Set the product in one of the Standalone modes to control without a DMX controller. Connect the product to a suitable power outlet.



Never connect a product that is operating in any Standalone mode (Automatic or Sound-Active) to a DMX string connected to a DMX controller. Products in Standalone mode may transmit DMX signals that could interfere with the DMX signals from the controller.

Sound Mixed Effect Sound-Active Mode

To enable the sound mixed effect (Sound-Active All) mode, do the following:

1. Press **<MENU>** repeatedly until **SM**** blinks on the display.
2. Press **<ENTER>**.
3. Use **<UP>** or **<DOWN>** to select the desired Sound-Active mode (**SM01** or **SM02**).
4. Press **<ENTER>** to put the fixture into the selected Sound-Active mode.
5. Use **<UP>** or **<DOWN>** to adjust the mode speed, **F 01** (fast) to **F 99** (slow).
6. Press **<ENTER>**.
Turn the music on and adjust the sound sensitivity knob until the product starts responding to the beat of the music.



- **The product will only respond to low frequencies of music (bass and drums).**
- **The laser will blackout when in Sound-Active mode after 3 seconds of silence or noise below the sensitivity setting.**

Auto Mixed Effect Automatic Mode

To enable the auto mixed effect (Automatic All) mode, follow the instructions below:

1. Press **<MENU>** repeatedly until **AM**** blinks on the display.
2. Press **<ENTER>**.
3. Use **<UP>** or **<DOWN>** to select the desired Automatic mode (**AM01** or **AM02**).
4. Press **<ENTER>**.
5. Use **<UP>** or **<DOWN>** to adjust the mode speed, **F 01** (fast) to **F 99** (slow).
6. Press **<ENTER>**.

Show Settings

To choose mixed style effect shows or Par-only effects, follow the instructions below and refer to the [Menu Map](#) for programming steps:

1. Press **<MENU>** repeatedly until **SHOW** blinks on the display.
2. Press **<ENTER>** to next programming level.
3. Use **<UP>** or **<DOWN>** to scroll through the different individual Auto or Sound show options.
4. Press **<ENTER>** to put the fixture into the selected mode.
5. Use **<UP>** or **<DOWN>** to adjust the mode speed, **F 01** (fast) to **F 99** (slow).
6. Press **<ENTER>**.

Master/Slave Mode

The Master/Slave mode allows a single GigBAR 2 product (the master) to control the actions of one or more GigBAR 2 products (the slaves) without the need for a DMX controller. The master will be set to operate in either Automatic or Sound-Active mode, while the slaves will be set to operate in Slave mode. Once set and connected, the slave units will operate in unison with the master.

Configure the products as indicated below.

For every slave:

1. Press **<MENU>** repeatedly until **Slav** blinks on the display.
2. Press **<ENTER>** to put the fixture in Slave mode. The display will continue to blink.
3. Repeat steps 1 and 2 for every slave.
4. Connect the DMX output of the first slave unit to the DMX input of the next slave unit.
5. Connect the DMX input of each subsequent slave unit to the DMX output of the previous slave unit.



- **Configure all the slave units before connecting the master to the DMX daisy chain.**
- **The display on the slaves will continue to blink until the slaves are receiving a DMX signal from the master.**

Master/Slave Mode (Cont.) For the master:

1. Connect the DMX output of the master to the DMX input of the first slave unit.
2. Set the master unit to operate in either Automatic or Sound-Active mode.



- **Make sure the master is the first unit in the DMX chain.**
- **Never connect a DMX controller to a DMX chain configured for Master/Slave operation because the controller may interfere with the signals from the master.**
- **Do not connect more than 31 slaves to the master.**

Configuration (DMX)

Set the product in DMX mode to control with a DMX controller. The product uses a 3-pin DMX cable.

1. Connect the product to a suitable power outlet.
2. Connect a DMX cable from the DMX output of the DMX controller to the DMX input socket on the product.

DMX Personality and Starting Address

When selecting a DMX starting address, always consider the number of DMX channels used by the fixture. If you choose a starting address that is too high, you could restrict the access to some of the product's channels.

The GigBAR 2 uses 3-, 11- and 23-channel DMX personalities, which means the highest DMX address you can use is **490**.

If you are not familiar with the DMX protocol, download the DMX Primer from http://www.chauvetlighting.com/downloads/DMX_Primer_Rev6_WO.pdf.

To select the DMX personality and starting DMX address, do the following:

1. Press **<MENU>** repeatedly until the desired DMX personality (**3 CH**, **11CH**, or **23CH**) blinks on the display.
2. Press **<ENTER>** and **D**** blinks on the display.
3. Use **<UP>** or **<DOWN>** to select the starting address
23CH (d001–d490)
11CH (d001–d502)
3-CH (d001–d510).
4. Press **<ENTER>** to put the fixture in DMX mode. The display will continue to blink.

Custom Color Adjustment

To set both the Par and Derby to a custom color, do the following:

1. Press **<MENU>** repeatedly until **CoLo** blinks on the display.
2. Press **<ENTER>**.
3. Use **<UP>** or **<DOWN>** to scroll through **R**** (red), **G**** (green), **B**** (blue), or **U**** (UV).
4. Press **<ENTER>** to select the color.
5. Use **<UP>** or **<DOWN>** to adjust the color saturation (**X000–X255**).
6. Press **<ENTER>**.
7. Repeat Steps 3 through 5 for each color.



Note: ONLY 3 of the 4 colors may be used at the same time.

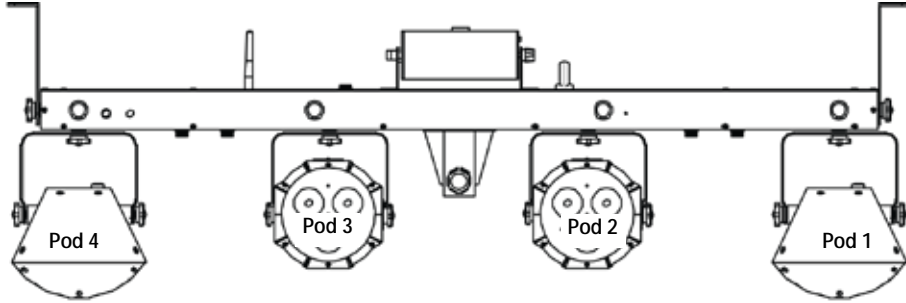
System Settings

To restore factory default settings, or make changes to individual pod settings, follow the directions below.

1. Press **<MENU>** repeatedly until **SyS** blinks on the display.
2. Press **<ENTER>**.
3. Use **<UP>** or **<DOWN>** to select **rSEt** (factory default) or **dSEt** (changes pod arrangement).
4. Press **<ENTER>** to select the desired system setting.

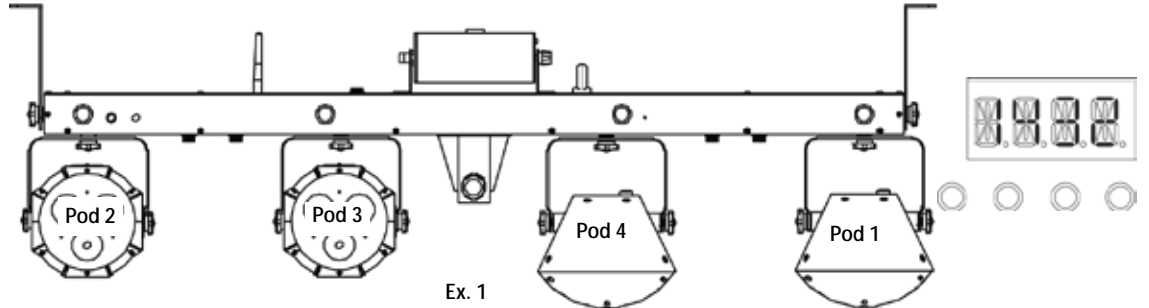
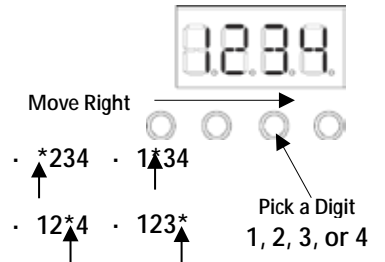
If **rSEt** is selected, GigBAR 2 is restored to factory default settings.

Default Pod Arrangement

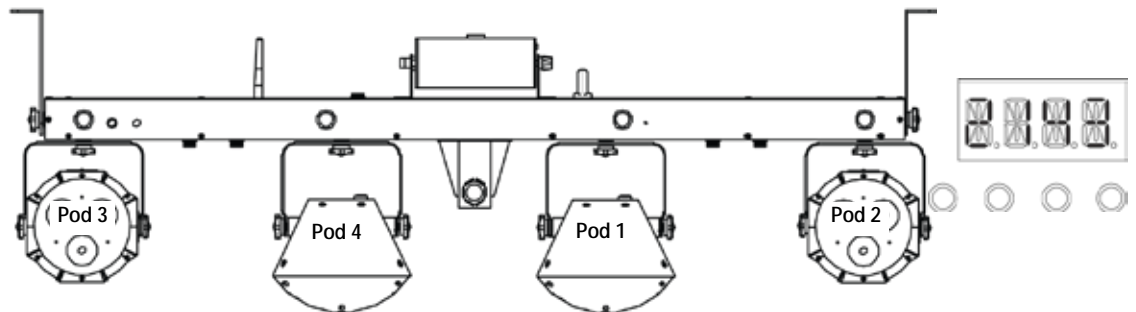


If **dSEt** is selected, change the order of the pods by using the steps and examples below to arrange the order of the pods:

- Use **<UP>** to move right on the display.
- Use **<DOWN>** to change the digit value (1, 2, 3, or 4).
- Press **<ENTER>** to confirm.
- Repeat until all 4 pods are arranged as desired.



Examples of Pod Order Rearrangement



Ex. 2

DMX Channel Assignments and Values

23CH	Channel	Function	Value	Setting	
	1	Par 1 Control	000 ó 255	Red 0–100%	Note: You are able to use a maximum of 3 colors at a time
	2		000 ó 255	Green 0–100%	
	3		000 ó 255	Blue 0–100%	
	4		000 ó 255	UV 0–100%	
	5		000 ó 127	RGB, based on channels 1, 2, and 3	
			128 ó 239	Strobe speed, slow to fast	
			240 ó 249	Strobe to sound	
			250 ó 255	RGB 100%	
	6	Par 2 Control	000 ó 255	Red 0–100%	Note: You are able to use a maximum of 3 colors at a time
	7		000 ó 255	Green 0–100%	
	8		000 ó 255	Blue 0–100%	
	9		000 ó 255	UV 0–100%	
	10		000 ó 127	RGB, based on channels 6, 7, and 8	
			128 ó 239	Strobe speed, slow to fast	
			240 ó 249	Strobe to sound	
			250 ó 255	RGB 100%	
	11	Derby 1 Control	000 ó 024	Blackout	
			025 ó 049	Red	
			050 ó 074	Green	
			075 ó 099	Blue	
			100 ó 124	Red + Green	
			125 ó 149	Red + Blue	
			150 ó 174	Green + Blue	
			175 ó 199	Red + Green + Blue	
			200 ó 224	Automatic (single colors only)	
			225 ó 255	Automatic (two colors at a time)	
	12	Derby 1 Strobe Rate	000 ó 009	No function	
			010 ó 239	Strobe, 0–30 Hz	
			240 ó 255	Strobe to sound	
	13	Derby 1 Rotation	000 ó 004	Stop	
			005 ó 127	Rotate clockwise, slow to fast	
			128 ó 133	Stop	
			134 ó 255	Rotate counter-clockwise, slow to fast	

23CH	Channel	Function	Value	Setting
14	Derby 2 Control	000 ó 024	Blackout	
		025 ó 049	Red	
		050 ó 074	Green	
		075 ó 099	Blue	
		100 ó 124	Red + Green	
		125 ó 149	Red + Blue	
		150 ó 174	Green + Blue	
		175 ó 199	Red + Green + Blue	
		200 ó 224	Automatic (single colors only)	
		225 ó 255	Automatic (two colors at a time)	
15	Derby 2 Strobe Rate	000 ó 009	No function	
		010 ó 239	Strobe, 0–30 Hz	
		240 ó 255	Strobe to sound	
16	Derby 2 Rotation	000 ó 004	Stop	
		005 ó 127	Rotate clockwise, slow to fast	
		128 ó 133	Stop	
		134 ó 255	Rotate counter-clockwise, slow to fast	
17	Laser Color	000 ó 039	Blackout	
		040 ó 079	Red on	
		080 ó 119	Green on	
		120 ó 159	Red + Green on	
		160 ó 199	Red on + Green strobe	
		200 ó 239	Green on + Red strobe	
		240 ó 255	Red + Green (alternate strobe)	
18	Laser Strobe	000 ó 009	No function	
		010 ó 239	Strobe speed, slow to fast	
		240 ó 255	Strobe to sound	
19	Laser Pattern	000 ó 004	Stop	
		005 ó 127	Rotate Clockwise, slow to fast	
		128 ó 133	Stop	
		134 ó 255	Rotate counter-clockwise, slow to fast	

23CH	Channel	Function	Value	Setting
20		Strobe Patterns	000 ó 009	Blackout
			010 ó 019	White Auto Strobe Program 1
			020 ó 029	White Auto Strobe Program 2
			030 ó 039	White Auto Strobe Program 3
			040 ó 049	White Auto Strobe Program 4
			050 ó 059	White Auto Strobe Program 5
			060 ó 069	White Auto Strobe Program 6
			070 ó 079	White Auto Strobe Program 7
			080 ó 089	White Auto Strobe Program 8
			090 ó 099	White Auto Strobe Program 9
			100 ó 109	White Manual Strobe, slow to fast
			110 ó 119	UV Auto Strobe Program 1
			120 ó 129	UV Auto Strobe Program 2
			130 ó 139	UV Auto Strobe Program 3
			140 ó 149	UV Auto Strobe Program 4
			150 ó 159	UV Auto Strobe Program 5
			160 ó 169	UV Auto Strobe Program 6
			170 ó 179	UV Auto Strobe Program 7
			180 ó 189	UV Auto Strobe Program 8
			190 ó 199	UV Auto Strobe Program 9
			200 ó 209	UV Manual Strobe, slow to fast
			210 ó 229	UV Strobe to sound mode
			230 ó 255	White Strobe to sound mode
21	White Strobe Dimmer	000 ó 255	White 0–100%	Note: Channels 21 & 22 cannot be used at the same time.
22	UV Strobe Dimmer	000 ó 255	UV 0–100%	
23	Strobe Speed	000 ó 255	Slow to fast (for CH21 or CH22)	
11CH	Channel	Function	Value	Setting
	1	Pars and Derby Color	000 ó 255	Red 0–100%
	2		000 ó 255	Green 0–100%
	3		000 ó 255	Blue 0–100%
	4		000 ó 255	UV 0–100%
5	Pars and Derby Strobe Controls	000 ó 127	All 0–100%	
		128 ó 239	Strobe speed	
		240 ó 249	Sound strobe	
		250 ó 255	Full On	
6	Derby Motor Rotation	000 ó 004	No movement	
		005 ó 127	Rotate clockwise, slow to fast	
		128 ó 133	Movement Stop	
		134 ó 255	Rotate counter-clockwise, slow to fast	

11CH	Channel	Function	Value	Setting
7	Red Laser Controls	000 ó 004	Red laser blackout	
		005 ó 054	Red laser on	
		055 ó 255	Red laser strobe speed, slow to fast	
8	Green Laser Controls	000 ó 004	Green laser blackout	
		005 ó 054	Green laser on	
		055 ó 255	Green laser strobe speed, slow to fast	
9	Laser Movement Speed	000 ó 004	No movement	
		005 ó 127	Clockwise rotation, slow to fast	
		128 ó 133	Movement stop	
		134 ó 255	Counter-clockwise rotation, slow to fast	
10	White Strobe Speed	000 ó 054	White strobe dimmer, 0–100%	
		055 ó 255	White strobe speed, slow to fast	
11	UV Strobe Speed	000 ó 054	UV strobe dimmer, 0–100%	
		055 ó 255	UV strobe speed, slow to fast	

Note: Channels 10 & 11 cannot be used at the same time.

3 CH	Channel	Function	Value	Setting
1	LED Operation	000 ó 009	No function	
		010 ó 119	Auto mixed mode 1, fast to slow	
		120 ó 229	Auto mixed mode 2, fast to slow	
		230 ó 234	Sound mixed mode 1	
		235 ó 239	Sound mixed mode 2	
		240 ó 255	Show setting,when channels 2 and 3 activated	
2	Operation	000 ó 009	Blackout	
		010 ó 019	Pars on ONLY, doing all single Par show	
		020 ó 029	Derby Lights on ONLY	
		030 ó 039	Laser on ONLY	
		040 ó 049	Strobes on ONLY, doing all single strobe show	
		050 ó 059	Auto Pars and Derby Lights ONLY	
		060 ó 069	Auto Pars and laser ONLY	
		070 ó 079	Auto Pars and strobes ONLY	
		080 ó 089	Auto Derby Lights, and laser ONLY	
		090 ó 099	Auto strobes and Derby Lights ONLY	
		100 ó 109	Pars, Derby Lights, and laser	
		110 ó 119	Pars, Derby Lights, and strobes	
		120 ó 129	Pars, laser, and strobes	
		130 ó 139	Derby Lights, laser, and strobes	
		140 ó 149	Sound Par effect	
		150 ó 159	Sound Derby effect	
		160 ó 169	Sound laser effect	
		170 ó 179	Sound strobe effect	
		180 ó 189	Sound Par + Derby	
		190 ó 199	Sound Par + laser	
200 ó 209	Sound Par + strobe			
210 ó 219	Sound Derby + laser			
220 ó 229	Sound Derby + strobe			
230 ó 239	Sound pars, Derby Lights and laser			
240 ó 244	Sound pars, Derby and strobes			
245 ó 249	Sound pars, laser and strobes			
250 ó 255	Sound Derby Lights, laser and strobes			
3	Auto Speed	000 ó 255	Speed, when 050–099 in channel 2	

IRC-6 (Infrared Remote Control 6) Operation

Note: Make sure to point the IRC-6 directly at the receiver on the product.



Automatic Mode

Automatic mode will enable you to run the automatic programs on the product.

To turn on Automatic mode:

- Press and hold **<AUTO>** on the IRC-6.
- Press any number between **<0>** and **<9>** to choose your auto program.
- Press **<+>** or **<->** to either increase or decrease the speed of the program.

Sound-Active Mode

Sound-Active mode will enable the product to respond to the music.

To turn on Sound-Active mode:

- Press and hold **<SOUND>** on the IRC-6.
- Press any number between **<0>** and **<9>** to choose your auto program.

Strobe Modes

To adjust the strobe program and rate:

- Press and hold **<STROBE>** on the IRC-6.
- Press **<0>** to Strobe All, or any number between **<0>** and **<9>** to choose your auto program.
- Press **<+>** or **<->** to increase or decrease the strobe rate.
- Press **<STROBE>** again to turn off the strobe.

Program Modes Defined

Button	<i>Auto Mode</i>	<i>Sound Mode</i>	<i>Strobe Mode</i>
<0>	AM01	SM01	All strobe White
<1>	AP01	SP01	Strobe White 1
<2>	AP02	SP02	Strobe White 2
<3>	AK01	SK01	Strobe White 3
<4>	AL01	SL01	Strobe White 4
<5>	APK1	SPK1	Strobe White 5
<6>	APL1	SPL1	Strobe UV 1
<7>	AKL1	SKL1	Strobe UV 2
<8>	APKL	SPKL	Strobe UV 3
<9>	AKLS	SKLS	Strobe UV 4

Miscellaneous Operation

To adjust the fade rate of the Par and Derby color output:

- Press and hold **<FADE>** on the IRC-6.
- Press **<+>** or **<->** to increase or decrease the fade rate.

To adjust the brightness of color or strobe:

- Press **<%>** on the IRC-6.

1 x Press	2 x Press	3 x Press	4 x Press	5 x Press
100%	75%	50%	25%	0%

To black out the lights:

- Press **<BLACK OUT>** on the IRC-6. This will turn off all the lights until the button is pressed again.

Footswitch Operation

The included wireless footswitch provides quick access to preset colors, color-change programs, and sound-activation through the GigBAR 2 microphone.

To use the footswitch:

1. Connect the GigBAR 2 to power.
2. Raise the wireless antennas located on the GigBAR 2 and the footswitch.
3. Press pedal #1 (Auto) to activate Auto program controls. When working, all the lights will begin in Auto mode (**AM01**).
4. Use the chart below to activate the desired function.



Pedal	Sub-option	Function
1 (Auto)	1 x press	Auto mode Pars, Derby Lights, laser and strobes (AM01)
	2 x press	AP01
	3 x press	AP02
	4 x press	AK01
	5 x press	AL01
	6 x press	APK1
	7 x press	APL1
	8 x press	AKL1
	9 x press	APKL
	10 x press	AKLS
2 (Sound)	1 x press	Sound mode Pars, Derby Lights, laser and strobes (SM01)
	2 x press	SP01
	3 x press	SP02
	4 x press	SK01
	5 x press	SL01
	6 x press	SPK1
	7 x press	SPL1
	8 x press	SKL1
	9 x press	SPKL
	10 x press	SKLS
3 (Color)	1 x press	Red without laser, no strobe
	2 x press	Green without laser, no strobe
	3 x press	Blue without laser, no strobe
	4 x press	UV without laser, no strobe
	5 x press	Yellow without laser, no strobe
	6 x press	Pink without laser, no strobe
	7 x press	Cyan without laser, no strobe
	8 x press	Dark Pink without laser, no strobe
	9 x press	Dark Blue without laser, no strobe
	10 x press	White without laser, no strobe
4 (Blackout)	N/A	Immediately turns OFF all the light fixtures

See [Menu Map](#) for description

See [Menu Map](#) for description



The GigBAR 2 footswitch will work properly in any mode, with a maximum unobstructed distance of 100 ft (30.5 m). You must turn on the Wi-Fi on the GigBAR 2 before using the footswitch.

5. TECHNICAL INFORMATION

Product Maintenance Dust build-up reduces light output performance and can cause overheating. To maintain optimum performance, clean the product at least twice a month. However, usage and environmental conditions contribute to increasing the cleaning frequency.

To clean the product, follow the instructions below:

1. Unplug the product from power.
2. Wait until the product is at room temperature.
3. Use a vacuum (or dry compressed air) and a soft brush to remove dust collected on the external surfaces and fan vents.
4. Clean the transparent panel (laser aperture) with a mild solution of non-ammonia glass cleaner or isopropyl alcohol.
5. Apply the solution directly to a soft, lint-free cotton cloth or a lens cleaning tissue.
6. Softly wipe any dirt or grime to the outside edges of the glass.
7. Gently polish the transparent surface until they are free of haze and lint.



Always dry the optical surfaces carefully after cleaning them.



Do not spin the cooling fan using compressed air, you could damage it.

6. TECHNICAL SPECIFICATIONS

Dimensions and Weight

GigBAR 2	Length	Width	Height	Weight
	46.7 in (1,185 mm)	4.3 in (110 mm)	15.2 in (387 mm)	14.4 lb (6.6 kg)
Tripod	Min Height	Max Height	Leg Width (Footprint)	Size
	4.8 ft (1.5 m)	8.3 ft (2.5 m)	3.9 ft (1.2 m)	1.5 in (37.4 mm)

Note: Dimensions in inches rounded to the nearest decimal digit.

Power	Input Voltage	Range	Voltage Selection
	Switching (internal)	100–240 VAC, 50/60 Hz	Auto-ranging
	Parameter	120 V, 60 Hz	230 V, 50 Hz
	Consumption	68 W	64 W
	Operating current	1 A	0.5 A
	Power linking current (units)	10.4 A (8 units)	10.4 A (15 units)
	Fuse	T 1.6 A, 250 V	T 1.6 A, 250 V
	Power I/O	US/Worldwide	UK/Europe
	Power input connector	IEC	IEC
	Power output connector	Edison	IEC
	Power cord plug	Edison (US)	Local plug

Light Source

Laser	Type	Power	Wavelength
	Laser (green)	30 mW	532 nm
	Laser (red)	100 mW	650 nm

LED

Derby Lights	Type	Power	Lifespan
	LED	6 W	50,000 hours
	Color	Quantity	Current
	Red	2	1.7 A
	Green	2	1.7 A
	Blue	2	1.7 A

Pars	Type	Power	Lifespan
	LED	2.5 W	50,000 hours
	Color	Quantity	Current
	Quad-color RGB+UV	6	1.1 A

Strobes	Type	Power	Lifespan
	LED	1.8 W	50,000 hours
	Color	Quantity	Current
	White + UV	4	600 mA

Photometrics	Parameter	Value	
	Coverage angle (laser)	93°	
	Coverage angle (Derby)	114°	
	Field angle (strobe)	18°	
	Field angle (Pars)	24°	
	Beam angle (strobe)	8°	
	Beam angle (Pars)	13°	
	Strobe rate	0–18 Hz	
	Illuminance @ 2 m (strobe)	86 lux (per zone)	
	Illuminance @ 2 m (Pars)	1,205 lux (per head)	
Thermal	Laser Maximum External Temp	Cooling System	
	95 °F (35 °C)	Fan-cooled and Convection	
Footswitch	Operating Frequency	Max Distance (unobstructed)	Power
	433 MHz	100 ft (30.5 m)	12 V, 23 A battery
DMX	I/O Connectors	Connector Type	Channel Range
	3-pin XLR	Sockets	3,11 or 23
Ordering	Product Name	Item Code	UPC Code
	GigBAR2	10051204	781462215521



RETURNS

To get support or return a product:

- If you are located in the U.S., contact Chauvet World Headquarters.
- If you are located in Mexico, contact Chauvet Mexico.
- If you are located in any other country, DO NOT contact Chauvet. Instead, contact your local distributor. See www.chauvetlighting.com for distributors outside the U.S. or Mexico.



If you are located outside the U.S. or Mexico, contact your distributor of record and follow their instructions on how to return Chauvet products to them. Visit our website www.chauvetlighting.com for contact details.

Call the corresponding Chauvet Technical Support office and request a Return Merchandise Authorization (RMA) number before shipping the product. Be prepared to provide the model number, serial number, and a brief description of the cause for the return.

Send the merchandise prepaid, in its original box, and with its original packing and accessories. Chauvet will not issue call tags.

Clearly label the package with the RMA number. Chauvet will refuse any product returned without an RMA number.



Write the RMA number on a properly affixed label. DO NOT write the RMA number directly on the box.

Before sending the product, clearly write the following information on a piece of paper and place it inside the box:

- Your name
- Your address
- Your phone number
- RMA number
- A brief description of the problem

Be sure to pack the product properly. Any shipping damage resulting from inadequate packaging will be your responsibility. FedEx packing or double-boxing are recommended.



Chauvet reserves the right to use its own discretion to repair or replace returned product(s).

1. ANTES DE EMPEZAR

Que va Incluido

- GigBAR 2
- Cable de alimentación
- 2 soportes en L
- Conmutador de pie inalámbrico con batería
- Bolsa de material VIP
- Trípode
- Bolsa de transporte de trípode
- Tarjeta de garantía
- Manual de Usuario

Descripción

El GigBAR 2 es el sistema todo en uno definitivo, que contiene dos efectos derby giratorios LED RGB, dos reflectores LED quadcolor de alta potencia, y láser verde/rojo y un estroboscopio blanco/UV con efecto de emisión múltiple. Permite un control independiente de color y programa para cada una de las cabezas de ajuste individual de forma sencilla. El mando a distancia IRC-6 se vende por separado.

Reclamaciones




Si la caja o el contenido (el producto y los accesorios incluidos) parecen dañados a causa del transporte o muestran signos de manipulación inadecuada, notifíquesele inmediatamente al transportista, y no a Chauvet. Si no lo hace oportunamente, puede quedar invalidada su reclamación al transportista. Además, guarde la caja y todo el material de embalaje para su inspección.

Para otras incidencias, como componentes o piezas que falten, daños no relacionados con el transporte o daños no evidentes, presente una reclamación a Chauvet en el plazo de 7 días desde la entrega.

Convenciones del Manual

Convención	Significado
1–512	Un rango de valores
50/60	Un conjunto de valores de los cuales solo se puede escoger uno
Settings	Una opción de menú que no se puede modificar
Menu > Settings	Una secuencia de opciones de menú que ha de seguirse
<ENTER>	Una tecla que se tiene que pulsar en el panel de control del producto
ON	Un valor que se tiene que introducir o seleccionar

Símbolos

Símbolo	Significado
	Instalación, configuración o información sobre funcionamiento crítica. Hacer caso omiso de esta información puede hacer que el producto no funcione, que se averíe, o causar daños al usuario.
	Instalación o información de configuración importante. El producto puede no funcionar correctamente si esta información no se usa.
	Información útil.

Exención de Responsabilidad

Chauvet cree que la información contenida en este manual es exacta en todos los aspectos. Chauvet se reserva el derecho a revisar el contenido de este documento sin ninguna obligación de notificar dicha revisión a ninguna persona o empresa; sin embargo, Chauvet no está en absoluto obligado a hacerlo así, ni se compromete a realizar revisión alguna. Descargue la última versión de www.chauvetlighting.com.

Las obras de autoría contenidas en este manual, incluyendo, pero sin limitarse a ellas, todos los dibujos, textos e imágenes, son propiedad de Chauvet.

© Copyright 2016, Chauvet & Sons, LLC. Todos los derechos reservados.

Publicado en formato electrónico por Chauvet en los Estados Unidos de América.

CHAUVET, el logotipo de Chauvet y "GigBAR 2" son marcas comerciales o marcas registradas de Chauvet & Sons LLC. (con nombres comerciales Chauvet y Chauvet Lighting) en los Estados Unidos y otros países. Otras empresas, nombres de productos y logotipos a los que se haga referencia aquí pueden ser marcas comerciales de sus respectivas empresas.

Notas de Seguridad

Las Notas de seguridad incluyen información importante sobre seguridad del sistema láser. Lea y comprenda todas las instrucciones antes de encender el láser por primera vez. Conocer las instrucciones de seguridad es crucial para evitar lesiones oculares y para no infringir la ley. Mantenga este Manual de usuario en un lugar seguro para futuras consultas.



DETÉNGASE Y LEA TODOS LOS DATOS DE SEGURIDAD IÁSER



- Los láseres pueden ser peligrosos y tienen consideraciones de seguridad particulares. Puede producirse lesión ocular permanente y ceguera si los láseres se usan incorrectamente. Ponga máxima atención a todos los COMENTARIOS y ADVERTENCIAS de seguridad de este Manual de usuario. Lea atentamente todas las instrucciones ANTES de poner en funcionamiento este dispositivo.
- Conecte siempre el producto a un circuito con toma de tierra para evitar el riesgo de electrocución.
- Desconecte siempre el producto de la alimentación antes de limpiarlo.
- Evite la exposición directa de los ojos a la fuente de luz mientras es producto esté encendido.
- Asegúrese de que el cable de alimentación no está retorcido ni estropeado.
- Nunca desconecte este producto de la alimentación agarrando o tirando del cable.
- Si monta el producto en alto, asegure siempre a un dispositivo de seguridad usando cable de seguridad.
- Asegúrese de que no hay materiales inflamables cerca del producto cuando esté en funcionamiento.
- No toque la carcasa del producto cuando esté en funcionamiento, porque podría estar muy caliente.



- Este producto no está concebido para una instalación permanente.
- Asegúrese siempre de que la tensión del enchufe al que conecte el producto está en el rango establecido en el grabado o en el panel posterior del producto.
- ¡El producto es para uso en interiores solamente! (IP20) Para evitar riesgos de incendio o descarga, no exponga el producto a la lluvia o la humedad.
- Instale siempre el producto en una ubicación con ventilación adecuada, al menos a 20" (50 cm) de superficies adyacentes.
- Asegúrese de que no queda bloqueada ninguna ranura de ventilación en la carcasa del producto.
- Nunca conecte el producto a un atenuador.
- Use siempre el soporte de montaje para trasladar el producto.
- No apague/encienda el producto a intervalos cortos. Esto acortará la vida del diodo láser.
- NO sacuda este producto. Evite usar la fuerza bruta cuando monte o maneje el producto.
- Use SIEMPRE un cable de seguridad cuando monte este producto en lo alto.
- La temperatura ambiente operativa para el láser es de 59 °F a 95 °F (15 °C a 35 °C). No haga funcionar este producto fuera de este rango.
- En caso de un problema grave de funcionamiento, deje de usar el producto inmediatamente.
- Nunca intente reparar el producto. Las reparaciones llevadas a cabo por personal no cualificado pueden provocar averías o funcionamiento defectuoso. Póngase en contacto con el centro de asistencia técnica autorizado más cercano.
- Para evitar un desgaste innecesario y alargar su vida útil, desconecte complemente el producto de la alimentación, mediante el interruptor o desenchufándolo, durante los periodos en los que no se use.



¡CUIDADO! El uso de controles, ajustes o procedimientos distintos a ESTOS que se especifican EN ESTE MANUAL DE USUARIO pueden causar exposición peligrosa a la radiación.



- **Es requisito de Chauvet colocar sacos de arena en la base del pie para aumentar la estabilidad.**
- **NO sobrepase el punto marcado como tope del mástil.**



- **NO apriete excesivamente la rueda de ajuste en el punto de inserción de montaje del trípode, ya que esto puede dañar el mástil o el soporte.**
- **NO use este soporte de ninguna forma que no esté prevista.**



- Evite el contacto directo de los ojos con la luz del láser. Nunca exponga intencionadamente sus ojos o los de otras personas a la luz directa del láser.
- Este producto láser puede causar lesiones oculares al instante, o ceguera, si la luz del láser incide directamente en los ojos.
- Es ilegal y peligroso alumbrar con este láser zonas de espectadores en las que el público u otro personal pueda recibir rayos láser o reflejos de su brillo directamente en los ojos.
- En los EE. UU. es un delito federal dirigir cualquier láser hacia un avión.
- El uso de controles, ajustes o procedimientos distintos a los especificados en este Manual de usuario pueden causar exposición peligrosa a la radiación.
- **NO intente ninguna reparación. Las reparaciones y la asistencia deben ser llevadas a cabo por un técnico autorizado. ¡Las modificaciones no autorizadas están prohibidas por motivos de seguridad!**



- **Guarde este Manual de usuario para futuras consultas. Si este producto pasa a ser propiedad de otro usuario, asegúrese de que este documento acompaña al láser.**

Advertencia sobre Carcasa no Cerrada

- Esta unidad contiene internamente dispositivos láser de alta potencia.
- No abra la carcasa del láser, debido a la potencial exposición a niveles no seguros de radiación láser.
- Los niveles de láser a los que se tiene acceso si se abre la unidad pueden causar ceguera instantánea, quemaduras en la piel e incendios.

Notas de Seguridad sobre Láser



DETÉNGASE Y LEA TODAS LAS NOTAS DE SEGURIDAD SOBRE EL LÁSER SIGUIENTES



La luz láser es diferente de cualquier otra luz. La luz láser puede causar lesiones oculares si el producto no se instala y usa adecuadamente. La luz láser es miles de veces más concentrada que cualquier otro tipo de luz. Esta concentración puede causar lesiones instantáneas en el ojo por quemadura de la retina (la zona sensible a la luz en la parte posterior del ojo). El calor de una luz láser podría no sentirse y aun así puede quemar o dejar ciegos a los operadores del producto o al público. Incluso cantidades muy pequeñas de luz láser, y a larga distancia, son potencialmente peligrosas.

NO asuma que la exposición a un haz individual de luz láser es segura, incluso si se trata de un haz muy pequeño dividido de un haz más grande. Este producto de láser utiliza docenas de milivatios de potencia láser —niveles Clase 3B internamente— y se divide en múltiples haces —niveles Clase 3R—. Los haces individuales de Clase 3R son potencialmente peligrosos para los ojos.

NO asuma que una luz láser en movimiento es segura. La luz láser nunca está exenta de riesgo. Puesto que las lesiones oculares pueden producirse instantáneamente, es crítico prevenir la posibilidad de CUALQUIER exposición directa al ojo. Según las regulaciones de seguridad láser, no es legar dirigir láseres de Clase 3R a zonas en las que pueda quedar gente expuesta, incluso si el láser apunta por debajo de las caras de las personas, como a una pista de baile.

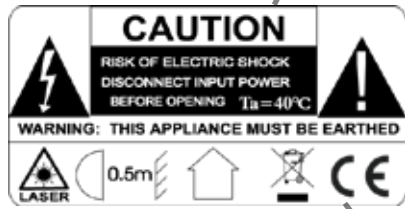
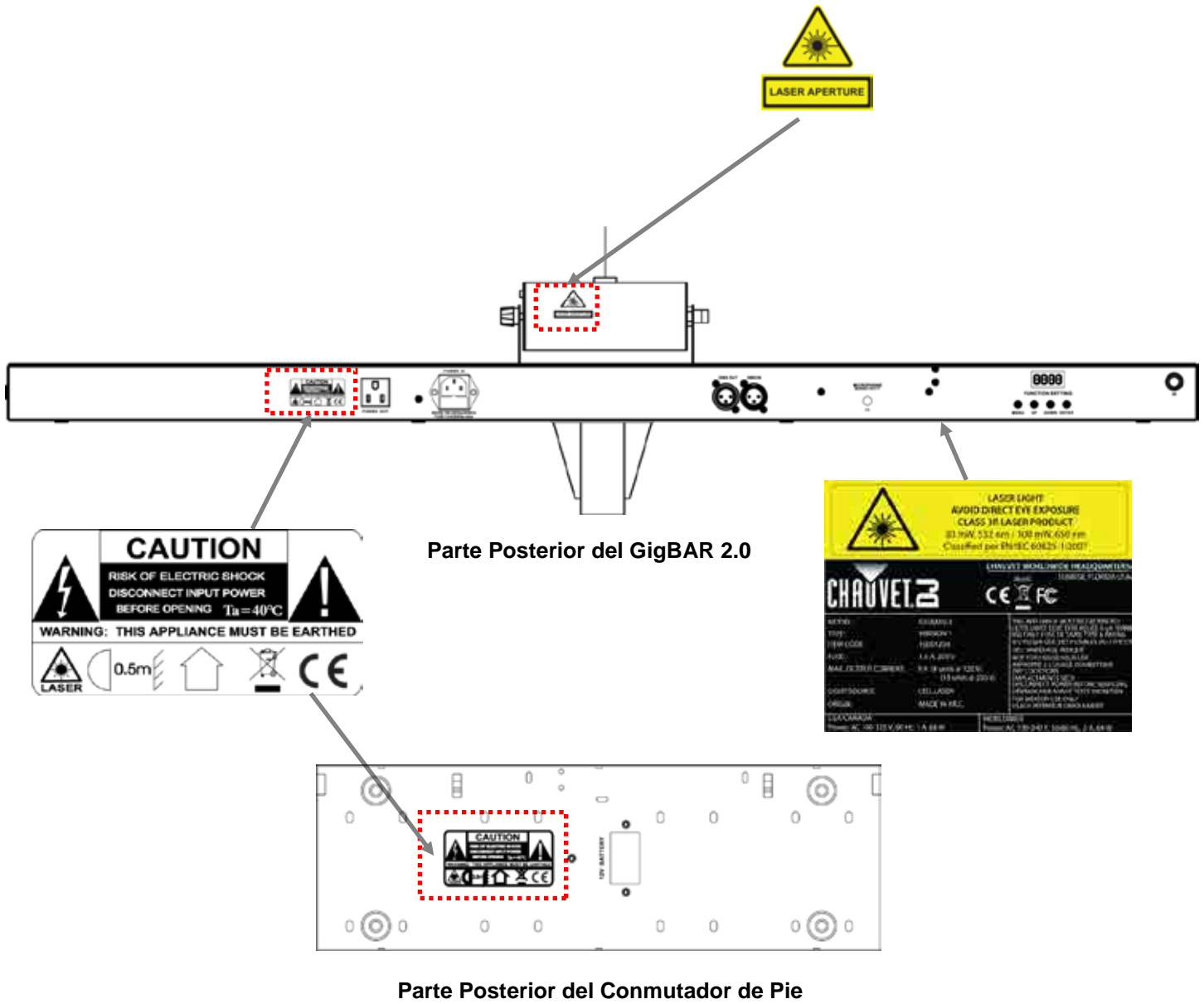
-
- No ponga en funcionamiento el láser sin primero leer y comprender todos los datos técnicos y de seguridad de este manual.
 - Ubique e instale todos los efectos láser SIEMPRE de forma que toda la luz láser esté al menos a 3 m (9,8 pies) sobre el nivel del suelo en el que se encuentra la gente. Vea el apartado [Uso Adecuado](#) de este manual.
 - Después de la instalación, y antes de su uso público, pruebe los láseres para asegurarse de que funcionan adecuadamente. No use el producto si detecta cualquier defecto.
 - NO use el láser si este emite solo uno o dos haces en lugar de docenas/centenares, pues esto indica una avería en la óptica de la rejilla de difracción, y permite la emisión de niveles de láser por encima de la Clase 3R.
 - NO apunte con láser a personas o animales.
 - NO mire a la apertura del láser o a los haces de láser.
 - NO apunte con láser en zonas en la que la gente pueda quedar expuesta.
 - NO apunte con láseres a superficies muy reflectantes como ventanas, espejos y metal pulido. Incluso los reflejos del láser pueden ser peligrosos.
 - Nunca apunte con el láser a un avión, pues constituye delito según las leyes de EE. UU.
 - Nunca apunte hacia el cielo con haces láser sueltos.
 - No exponga la óptica de salida (apertura) a productos de limpieza químicos agresivos.
 - No use el láser si la carcasa está averiada o abierta, o si la óptica parece dañada de cualquier modo.
 - Nunca abra la carcasa del láser. Los altos niveles de potencia láser dentro de la carcasa protectora pueden originar incendios o quemaduras en la piel y causar lesiones oculares al instante.
 - Nunca deje este producto en funcionamiento sin vigilancia.
 - El funcionamiento de un láser de espectáculo de Clase 3R se permite solo si el espectáculo es controlado por un profesional experimentado y bien formado, familiarizado con los datos contenidos en este manual.
 - Los requisitos legales para usar productos de láser recreativo varían de un país a otro. El usuario es responsable de los requisitos legales del lugar/país en que lo utilice.



¡CUIDADO! No ponga en funcionamiento este dispositivo en formas no especificadas en este Manual de usuario. No seguir las instrucciones invalidará la garantía, podría dañar el producto o lesionar al usuario o al público.

¡CUIDADO! Este producto no se puede tirar con la basura doméstica. Póngase en contacto con el servicio de recogida para la eliminación de aparatos electrónicos de su zona.

Reproducción de la Etiqueta de Seguridad del Láser



Advertencia sobre Exposición al Láser



LUZ LÁSER EVITE LA EXPOSICIÓN DIRECTA AL OJO

Se pueden encontrar más directrices y programas de seguridad para el uso seguro de láseres en la Normativa ANSI Z136.1 "Para uso seguro de Láseres", disponible en el Laser Institute of America: www.laserinstitute.org. Muchos gobiernos locales, corporaciones, agencias, ejército y otros requieren que todos los láseres se usen bajo las directrices de ANSI Z136.1. La guía Laser Display puede obtenerse de la International Laser Display Association: www.laserist.org.

Datos de Emisión Láser

Según se midió bajo condiciones de medición IEC para clasificación

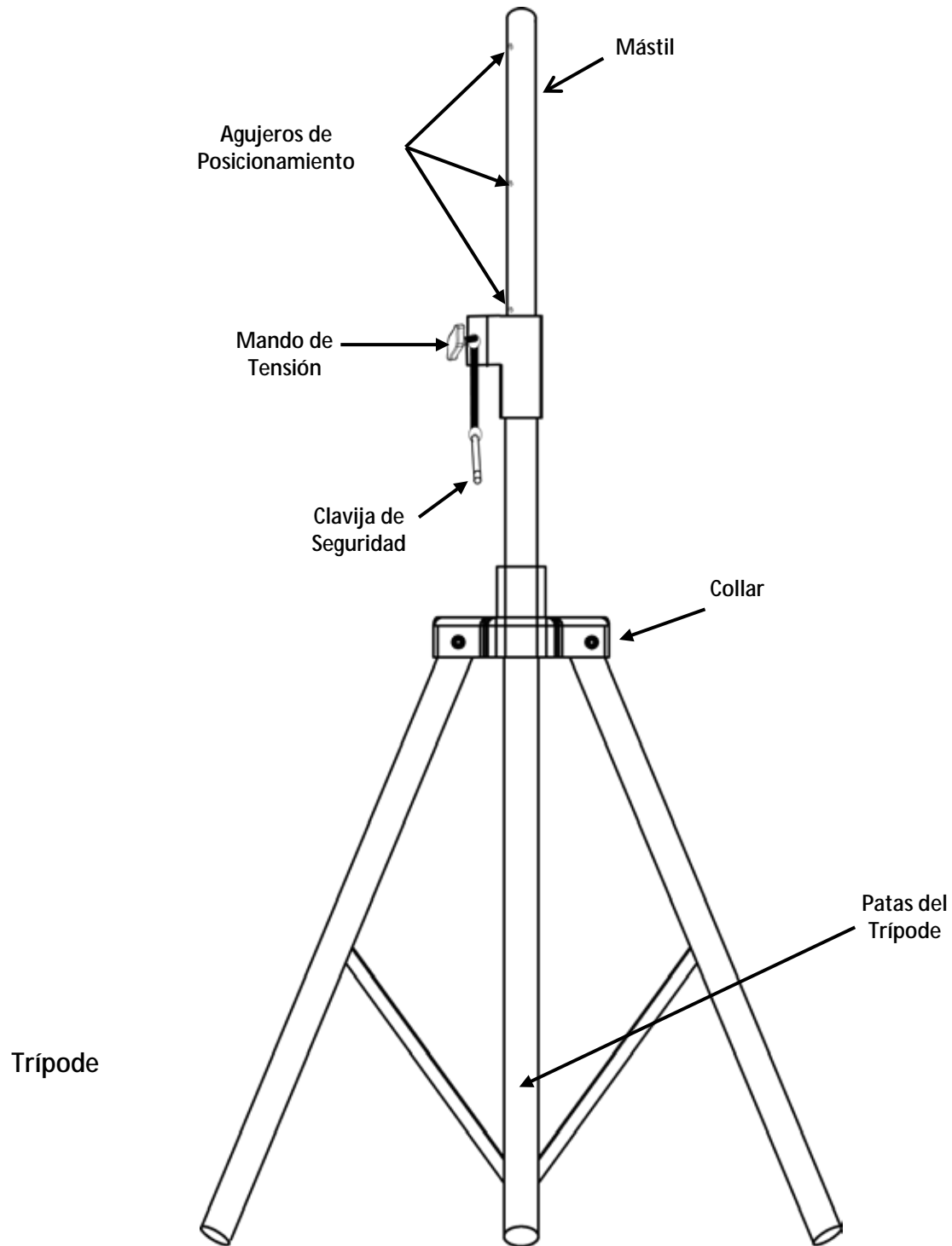
Clasificación láser	Clase 3R
Láser Verde Medio	DPSS Nd:YVO4, 532 nm/30 mW
Láser Rojo Medio	LD GaAlAs, 650 nm/100 mW
Diámetro del haz	<5 mm en la apertura
Datos de pulso	Todos los pulsos < 4 Hz (>0,25 s)
Divergencia (cada haz)	<2mrad
Divergencia (luz total)	<160 grados
Potencia láser de cada haz desde la apertura	5 mW

Declaración de Conformidad Láser

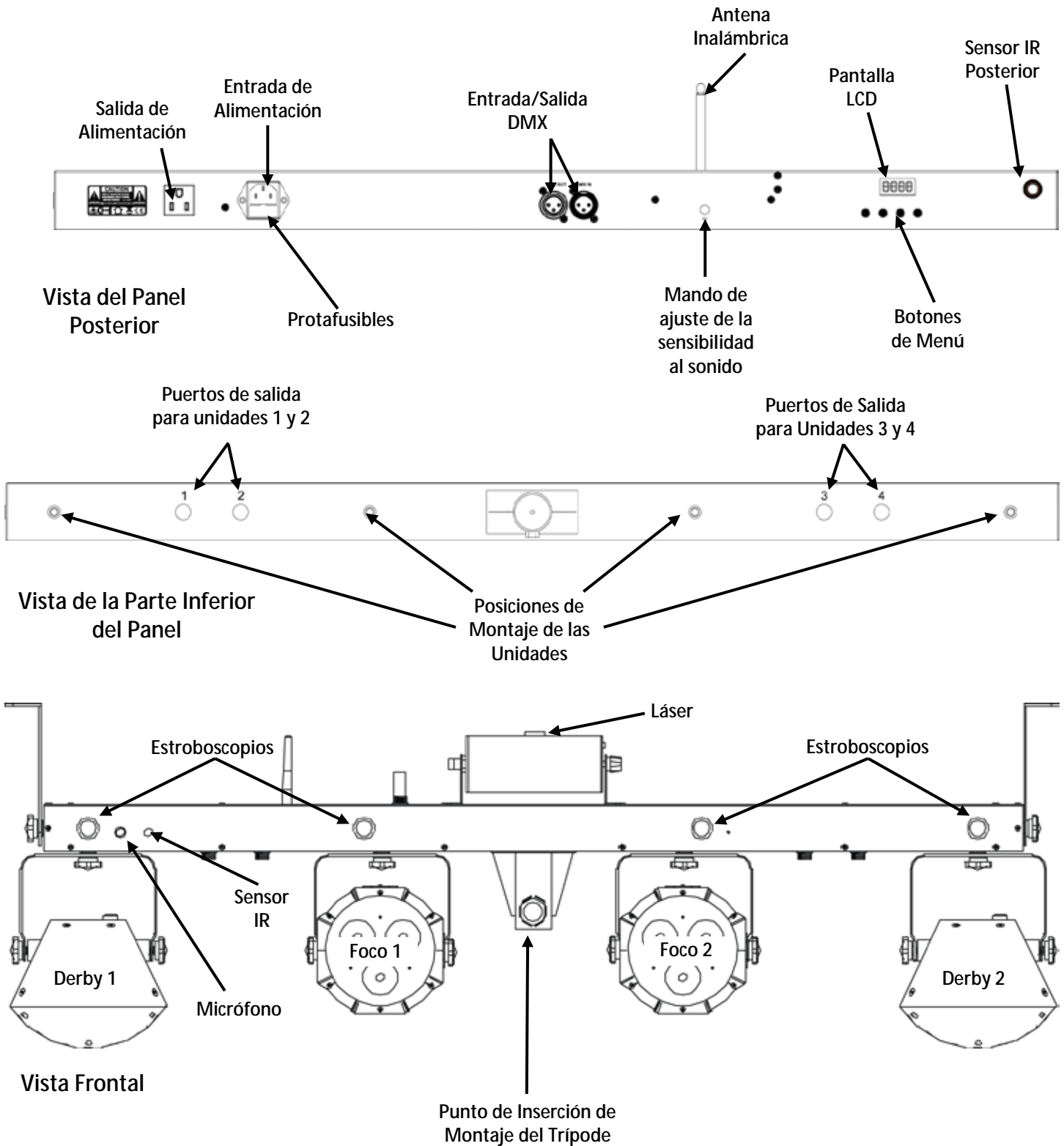
Este producto láser cumple las directivas EN/IEC 60825-1 Ed 2, 2007-03, y U.S. FDA/CDRH FLPPS mediante las condiciones de Laser Notice No. 50 de fecha 24 de junio de 2007. Este dispositivo láser está clasificado como 3R. (La Clase 3R es el equivalente internacional a la Clase IIIa de EE. UU.). No es necesario ningún mantenimiento para que este producto siga cumpliendo los estándares de rendimiento láser.

2. INTRODUCCIÓN

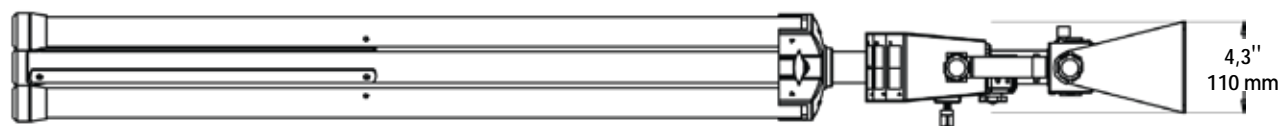
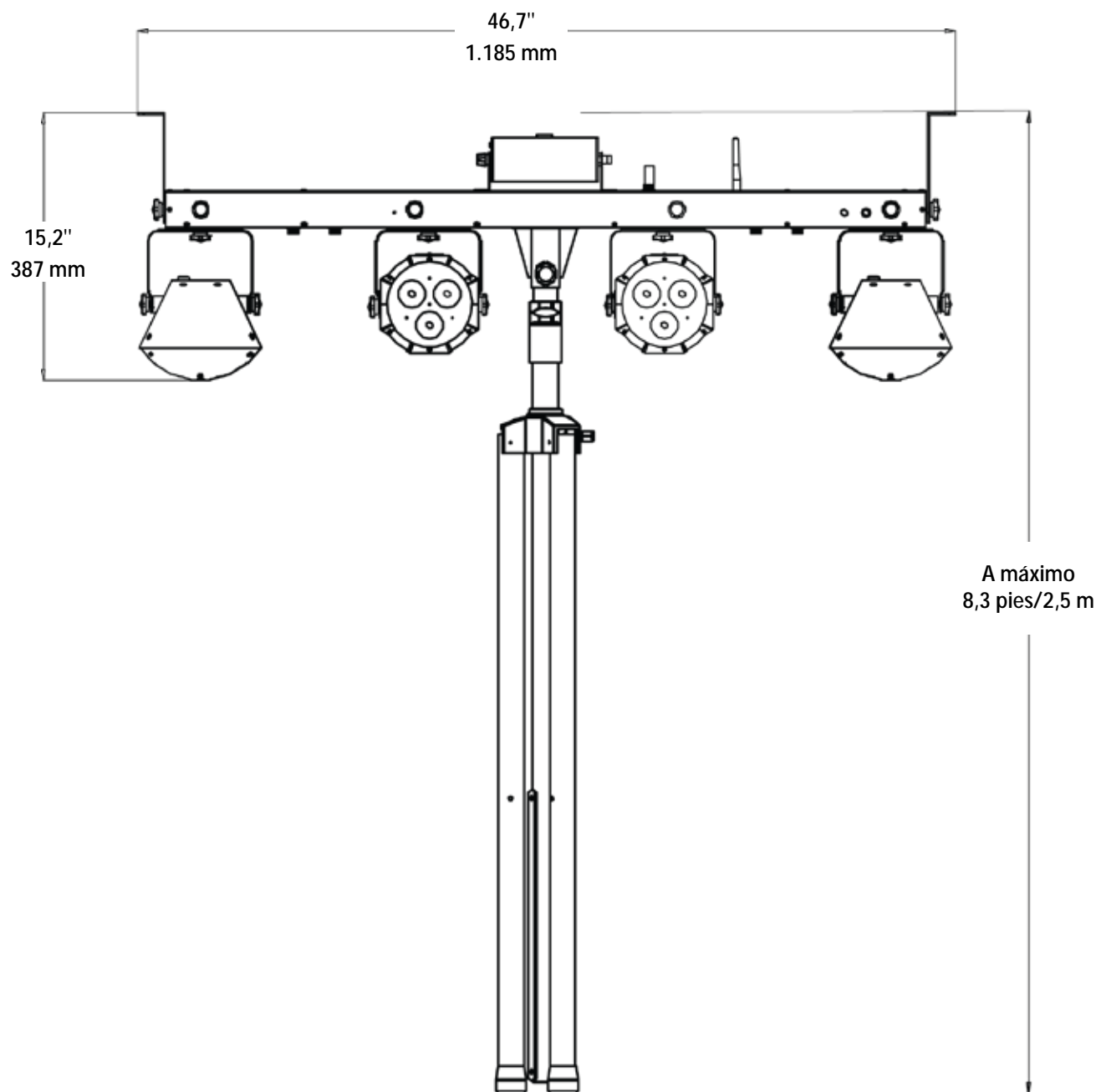
Vista General



Vista General (Cont.)



Dimensiones



3. CONFIGURACIÓN

Corriente Alterna

El GigBAR 2 tiene una fuente de alimentación con detección automática que puede funcionar con un rango de tensión de entrada de 100 a 240 VCA, 50/60 Hz.

Para determinar los requerimientos de alimentación (disyuntor, toma de alimentación y cableado), use el valor de tensión que aparece en la etiqueta fijada en el panel trasero del producto o consulte las [Especificaciones Técnicas](#) de este manual. La especificación de corriente listada indica el consumo de corriente promedio en condiciones normales.



· **Conecte siempre el producto a un circuito protegido (disyuntor o fusible). Asegúrese de que el producto tiene una toma de tierra adecuada para evitar el riesgo de electrocución o incendio.**

· **Para evitar un desgaste innecesario y alargar su vida útil, desconecte complemente el producto de la alimentación, mediante el interruptor o desenchufándolo, durante los periodos en los que no se use.**



Nunca conecte el producto a un reostato (resistor variable) o circuito de atenuación, incluso si el canal del reostato o atenuador sirve solo como conmutador 0 a 100%.

Pila del pedal

El pedal inalámbrico utiliza una pila de 12 voltios situada bajo la tapa de la batería en la parte inferior del producto, que se puede sustituir cuando sea necesario.

Sustitución de la pila

Para sustituir la pila del pedal inalámbrico:

1. Ponga el interruptor en la posición "Off."
2. Quite la tapa de la batería retirando los 2 tornillos con un destornillador de estrella.
3. Quite la pila gastada del receptáculo y desconéctela de los cables.
4. Sustituya la pila de 12 voltios, asegurándose de que los cables positivo (+) y negativo (-) corresponden con los polos de la pila.
5. Coloque la pila en el receptáculo y cierre con la tapa.
6. Fije la tapa de la pila con los dos tornillos de estrella.



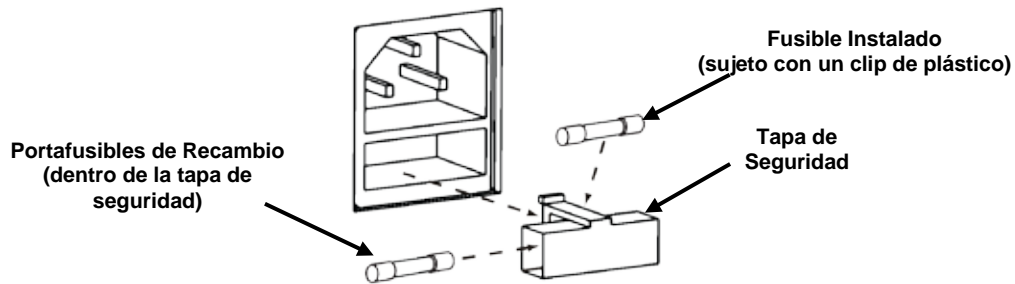
¡NO apriete demasiado los tornillos!

Sustitución del Fusible

1. Desconecte el producto de la alimentación.
2. Haga cuña con la punta de un destornillador plano en la ranura del portafusibles.
3. Saque el portafusibles de la carcasa.
4. Quite el fusible fundido del soporte.
5. Sustitúyalo con un fusible del mismo tipo y categoría exactamente.
6. Vuelva a colocar el portafusibles en su sitio y conecte de nuevo la alimentación.



Desconecte el producto de la alimentación antes de sustituir el fusible.



El producto no se entrega con un fusible de repuesto; sin embargo, la tapa de seguridad tiene sitio para un repuesto.



Sustituya siempre el fusible fundido con uno del mismo tipo y categoría.

Alimentación en Cadena

Alimentación en cadena es cuando los productos se conectan en cadena por las tomas de entrada y salida de alimentación, permitiendo la alimentación de muchos productos con un solo enchufe.

Se pueden alimentar en cadena hasta 8 productos GigBAR 2 a 120 V, y hasta 15 productos GigBAR 2 se pueden alimentar en cadena a 230 V.

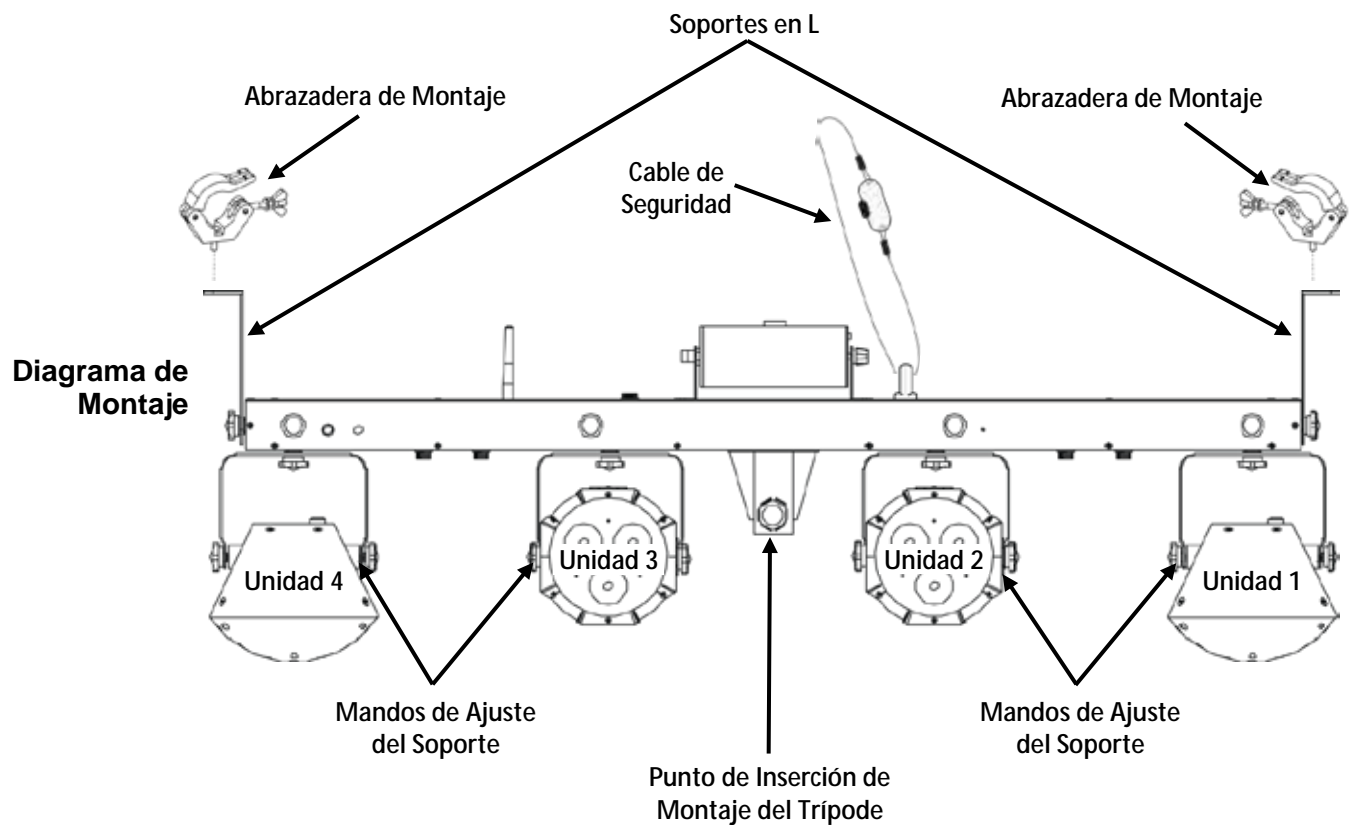


**No alimente en cadena más de 8 GigBAR 2 a 120 V.
No alimente en cadena más de 15 GigBAR 2 a 230 V.**

Montaje Antes de montar el producto, lea y siga las recomendaciones de seguridad indicadas en las [Notas de Seguridad](#).

Orientación El GigBAR 2 se debe montar en un posición preparada para el uso seguro de láser. Además, asegúrese de proporcionar una ventilación adecuada alrededor del producto.

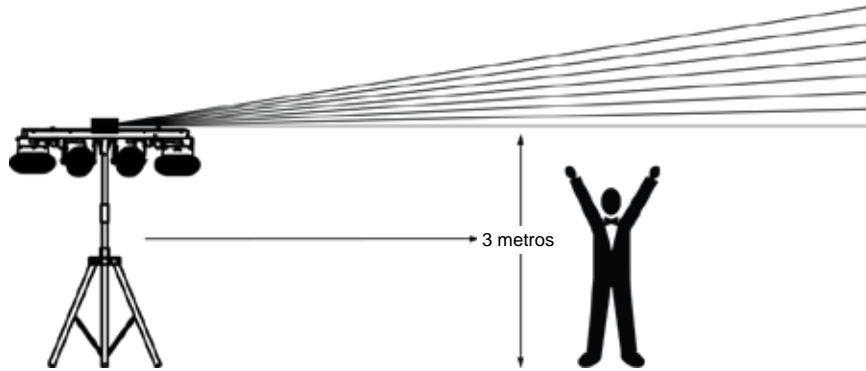
- Colocación**
- Antes de decidir una ubicación para el producto, asegúrese siempre de que hay fácil acceso al producto para su mantenimiento y programación.
 - Asegúrese de que la estructura o superficie sobre la que está montando el producto puede soportar su peso (vea las [Especificaciones Técnicas](#)).
 - Cuando monte el producto en altura, use siempre un cable de seguridad (como el **CH-05** de Chauvet). Monte el producto con seguridad a un punto de anclaje, como una plataforma elevada o un truss.
 - Los mandos de ajuste del soporte permiten el ajuste direccional para dirigir el producto hacia el ángulo deseado. Apriete y afloje los mandos de soporte únicamente con la mano. Usar herramientas podría estropear los mandos.
 - Cuando lo monte en el trípode, asegúrese de que el soporte está adecuadamente apretado y nivelado.



Uso Adecuado

Este producto es para montaje en alto solamente. Por seguridad, Chauvet recomienda montar los productos de efectos de iluminación sobre plataformas estables y elevadas, o en soportes en alto sólidos utilizando abrazaderas apropiadas para colgar. En todos los casos, utilice cables de seguridad. Obtenga el material de fijación apropiado de su proveedor de iluminación.

Las disposiciones internacionales de seguridad láser precisan que los productos de láser se manejen de la forma mostrada a continuación, con una separación vertical mínima de 3 metros (9,8 pies) entre el suelo y la luz láser más baja. Además, se requiere una separación horizontal de 3 metros entre la luz láser y los espectadores u otros espacios públicos.



¡CUIDADO! El uso de controles, ajustes o procedimientos distintos a ESTOS que se especifican EN ESTE MANUAL DE USUARIO pueden causar exposición peligrosa a la radiación.



- Es requisito de Chauvet colocar sacos de arena en la base del pie para aumentar la estabilidad.
- **IMPORTANTE: NO** sobrepase el punto marcado como tope del mástil.

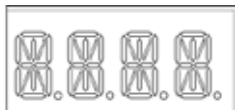


- **NO** apriete excesivamente la rueda de ajuste en el punto de inserción de montaje del trípode, ya que esto puede dañar el mástil o el soporte.
- **NO** use este soporte de ninguna forma que no esté prevista.

4. FUNCIONAMIENTO

Este producto no está diseñado para un uso continuo. Asegúrese de que hace descansos regulares durante su funcionamiento para maximizar la vida de su láser. Desconecte siempre el GigBAR 2 de la alimentación cuando no lo use.

Funcionamiento del Panel de Control Para acceder a las funciones del panel de control, use los cuatro botones ubicados bajo la pantalla. Cuando el producto esté encendido, el monitor LED del panel posterior mostrará el modo de funcionamiento actual (independiente o DMX). El producto mantendrá la configuración guardada cuando se apagó la última vez.



Botón	Función
<MENU>	Selecciona un modo de funcionamiento o regresa a la opción de menú actual
<UP>	Se desplaza hacia arriba por la lista de opciones o selecciona un valor más alto
<DOWN>	Se desplaza hacia abajo por la lista de opciones o selecciona un valor inferior
<ENTER>	Activa una opción de menú o valor seleccionado

Mapa de Menú

Modo	Niveles de Programación		Descripción
Efecto mezclado AUTO	AM**	AM01–AM02	Selecciona el show del efecto mezclado automático
		F 01–F 99	Selecciona la velocidad del efecto mezclado automático
Efecto mezclado SONIDO	SM**	SM01–SM02	Selecciona el show del efecto mezclado de sonido
		F 01–F 99	Selecciona la velocidad del efecto mezclado de sonido
Configuración de SHOW	SHOW		Después del pulsar <ENTER>, selecciona las distintas configuraciones del show, en las que se puede escoger el show de efectos de estilos mezclados o efectos solo de foco.
Efecto foco automático	AP**	AP01– AP07	Selecciona el show del foco
		F 01–F 99	Selecciona la velocidad del show del foco
Efecto Derby automático	AK01	F 01–F 99	Selecciona el show del Derby automático la velocidad del Derby automático
Efecto láser automático	AL01	F 01–F 99	Selecciona el show del láser automático y la velocidad del show de láser automático
Efecto estroboscopio automático	AS**	AS01–AS22	Selecciona los shows de estroboscopio automático
		F 01–F 99	Selecciona la velocidad del show de estroboscopio automático
Foco + Derby automático	APK1	F 01–F 99	Selecciona la velocidad del show automático de foco y Derby
Foco + láser automático	APL1	F 01–F 99	Selecciona la velocidad del show automático de foco y láser
Foco + estroboscopio automático	APS1	F 01–F 99	Selecciona la velocidad del show automático de foco y estroboscopio
Derby + láser automático	AKL1	F 01–F 99	Selecciona la velocidad del show automático de Derby y láser
Derby + estroboscopio automático	AKS1	F 01–F 99	Selecciona la velocidad del show automático de Derby y estroboscopio
Foco + Derby + láser	APKL	F 01–F 99	Selecciona la velocidad del show de foco, Derby y láser
Foco + Derby + estroboscopio	APKS	F 01–F 99	Selecciona la velocidad del show de foco, Derby y estroboscopio

Modo		Niveles de Programación		Descripción
(SHOW cnt'd)	Foco + láser + estroboscopio	APLS	F 01–F 99	Selecciona la velocidad del show de foco, láser y estroboscopio
	Derby + láser + estroboscopio	AKLS	F 01–F 99	Selecciona la velocidad del show de Derby, láser y estroboscopio
	Efecto foco por sonido	SP**	SP01–SP07	Configura focos en modo Sonido
	Efecto Derby por sonido		SK01	Configura los Derby luces en modo Sonido
	Efecto láser por sonido		SL01	Configura el láser en modo Sonido
	Efecto estroboscopio por sonido	SS**	SS01–SS22	Configura los estroboscopios en modo Sonido y selecciona la velocidad del efecto
	Foco + Derby por sonido		SPK1	Configura focos y Derby luces en modo Sonido
	Foco + láser por sonido		SPL1	Configura focos y láser en modo Sonido
	Foco + estroboscopio por sonido		SPS1	Configura focos y estroboscopios en modo Sonido
	Derby + láser por sonido		SKL1	Configura Derby luces y estroboscopios en modo Sonido
	Derby + estroboscopio por sonido		SKS1	Configura Derby luces y estroboscopios en modo Sonido
	Foco + Derby + láser		SPKL	Configura focos, Derby luces y láser en modo Sonido
	Foco + Derby + estroboscopio		SPKS	Configura focos, Derby luces y estroboscopios en modo Sonido
	Foco + láser + estroboscopio		SPLS	Configura focos, láser y estroboscopios en modo Sonido
	Derby + láser + estroboscopio		SKLS	Configura Derby luces, láser y estroboscopios en modo Sonido
Configuración de COLOR General	CoLo	R**	R000–R255	Configura los valores de rojo de foco y Derby
		G**	G000–G255	Configura los valores de verde de foco y Derby
		B**	B000–B255	Configura los valores de azul de foco y Derby
		UV**	U000–U255	Configura los valores de UV de foco y estroboscopios
Configuración de modo DMX	d**	3 CH		Selecciona la personalidad DMX
		11CH		
		23CH		
Dirección DMX	d001–d512		Configura la dirección de inicio DMX; el rango DMX queda restringido por el número de canales del modo DMX seleccionado	
Configuración Maestro/Esclavo	Slav		Configura en modo Esclavo	
Opciones de Sistema	Sys	dSET	1234	Cambia la disposición de las unidades
		rSEt		Reinicia a la configuración de fábrica
		WiFi	on off	Apaga/enciende la antena Wi-Fi™ para el conmutador de pie inalámbrico

Nota: Sólo 3 de los 4 colores se pueden usar al mismo tiempo.

Configuración (Independiente)

Configure el producto en uno de los modos independientes para controlarlo sin controlador DMX. Conecte el producto a una toma de corriente adecuada.



Nunca conecte un producto que está funcionando en cualquier modo Independiente (Automático o Activo por sonido) a una línea DMX conectada a un controlador DMX. Los productos en modo Independiente pueden transmitir señales DMX que podrían interferir con las señales DMX del controlador.

Modo Efecto Mezclado de Sonido Activo por Sonido

Para habilitar el modo de efecto mezclado de sonido (todo Activo por sonido), haga lo siguiente:

1. Pulse <MENU> repetidamente hasta que **SM**** parpadee en la pantalla.
2. Pulse <ENTER>.
3. Utilice <UP> o <DOWN> para seleccionar el modo Activo por sonido deseado (**SM01** o **SM02**).
4. Pulse <ENTER> para poner el dispositivo en el modo Activo por sonido seleccionado. Encienda la música y ajuste el mando de sensibilidad al sonido hasta que el producto empiece a responder al ritmo de la música.
5. Utilice <UP> o <DOWN> para ajustar la velocidad del modo, **F 01** (rápido) a **F 99** (lento).
6. Pulse <ENTER>.



- **El producto solo responderá a bajas frecuencias en la música (graves y percusión).**
- **El láser se quedará en blackout (oscuridad total) en modo Activo por sonido tras 3 segundos de silencio o sonido por debajo del nivel de sensibilidad.**

Modo Efecto Mezclado Automático

Para habilitar el modo efecto mezclado automático (todo Automático), siga las instrucciones siguientes:

1. Pulse <MENU> repetidamente hasta que **AM**** parpadee en la pantalla.
2. Pulse <ENTER>.
3. Utilice <UP> o <DOWN> para seleccionar el modo Automático deseado (**AM01** o **AM02**).
4. Pulse <ENTER>.
5. Utilice <UP> o <DOWN> para ajustar la velocidad del modo, **F 01** (rápido) a **F 99** (lento).
6. Pulse <ENTER>.

Configuración del Show

Para escoger los shows de efecto de estilo mezclado o efectos solo de foco, siga las instrucciones que siguen y consulte el [Mapa de Menú](#) para ver los pasos de programación:

1. Pulse <MENU> repetidamente hasta que **SHOW** parpadee en la pantalla.
2. Pulse <ENTER> para el siguiente nivel de programación.
3. Utilice <UP> o <DOWN> para desplazarse por las distintas opciones individuales del show Automático o Sonido.
4. Pulse <ENTER> para poner el dispositivo en el modo seleccionado.
5. Utilice <UP> o <DOWN> para ajustar la velocidad del modo, **F 01** (rápido) a **F 99** (lento).
6. Pulse <ENTER>.

Modo Maestro/Esclavo

El modo Maestro/Esclavo permite que un solo producto GigBAR 2 (el maestro), controle las acciones de uno o más productos GigBAR 2 (los esclavos) sin necesidad de un controlador DMX. El maestro se configurará para funcionar bien en modo Automático bien en modo Activo por Sonido, mientras que los esclavos se configurarán para funcionar en modo Esclavo. Una vez configuradas y conectadas, las unidades esclavo funcionarán al unísono con su maestro. Configure los productos como se indica a continuación.

Para cada esclavo:

1. Pulse **<MENU>** repetidamente hasta que **Slav** parpadee en la pantalla.
2. Pulse **<ENTER>** para poner el dispositivo en modo Esclavo. La pantalla continuará parpadeando.
3. Repita los pasos 1 y 2 para cada esclavo.
4. Conecte la salida DMX de la primera unidad esclavo a la entrada DMX de la siguiente unidad esclavo.
5. Conecte la entrada DMX de las siguientes unidades esclavo a la salida DMX de la unidad esclavo precedente.



- **Configure todas las unidades esclavo antes de conectar la unidad maestro a la cadena DMX.**
- **La pantalla de los esclavos continuará parpadeando hasta que los esclavos reciban una señal DMX del maestro.**

Para el maestro:

1. Conecte la salida DMX del maestro a la entrada DMX de la primera unidad esclavo.
2. Configure la unidad maestro para funcionar en modo Automático o Activo por Sonido



- **Asegúrese de que la unidad maestro es la primera unidad de la cadena DMX.**
- **Nunca conecte un controlador DMX a una cadena DMX configurada para funcionamiento Maestro/Esclavo, porque el controlador puede interferir con las señales del maestro.**
- **No conecte más de 31 esclavos al maestro.**

Configuración (DMX)

Configure el producto en modo DMX para controlarlo con un controlador DMX. El producto usa un cable DMX de 3 pines.

1. Conecte el producto a una toma de corriente adecuada.
2. Conecte un cable DMX de la salida DMX del controlador DMX al conector de entrada DMX del producto.

Personalidad DMX y Dirección de Inicio

Cuando seleccione una dirección DMX de inicio, tenga en cuenta siempre el número de canales DMX que usa el dispositivo. Si escoge una dirección de inicio que es demasiado alta, podría estar restringiendo el acceso a alguno de los canales del producto.

El GigBAR 2 usa personalidades de 3, 11 y 23 canales DMX, lo que significa que la dirección DMX más alta que puede emplear es **490**.

Si no está familiarizado con el protocolo DMX, descargue el Manual DMX de http://www.chauvetlighting.com/downloads/DMX_Primer_Rev6_WO.pdf.

Para seleccionar la personalidad DMX y la dirección DMX de inicio, haga lo siguiente:

1. Pulse **<MENU>** repetidamente hasta que la personalidad DMX deseada (**3 CH**, **11CH** o **23CH**) parpadee en la pantalla.
2. Pulse **<ENTER>** y **D**** parpadea en la pantalla.
3. Utilice **<UP>** o **<DOWN>** para seleccionar dirección de inicio
23CH (d001–d490)
11CH (d001–d502)
3-CH (d001–d510)
4. Pulse **<ENTER>** para poner el dispositivo en modo DMX. La pantalla continuará parpadeando.

Ajuste de Color Personalizado

Para configurar el foco y el Derby con un color personalizado, haga lo siguiente:

1. Pulse **<MENU>** repetidamente hasta que **CoLo** parpadee en la pantalla.
2. Pulse **<ENTER>**.
3. Utilice **<UP>** o **<DOWN>** para desplazarse hasta **R**** (rojo), **G**** (verde), **B**** (azul), o **U**** (UV).
4. Pulse **<ENTER>** para seleccionar el color.
5. Utilice **<UP>** o **<DOWN>** para ajustar la saturación de color (**X000–X255**).
6. Pulse **<ENTER>**.
7. Repita los pasos 3 al 5 para cada color.



Nota: Usted es capaz de utilizar un máximo de 3 colores a la vez

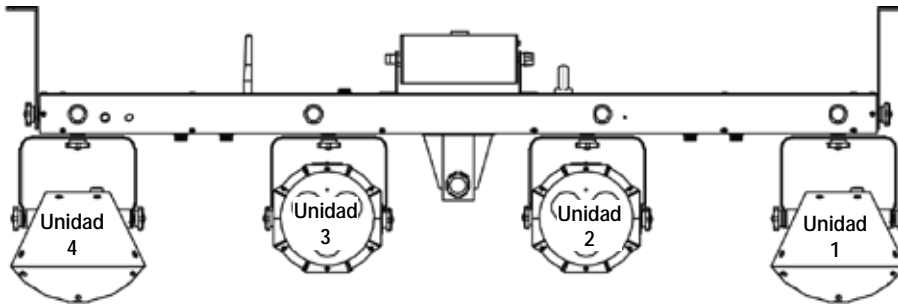
Configuración de Sistema

Para restaurar la configuración a los valores originales de fábrica o para hacer cambios en la configuración individual de las unidades, siga las siguientes indicaciones:

1. Pulse **<MENU>** repetidamente hasta que **SyS** parpadee en la pantalla.
2. Pulse **<ENTER>**.
3. Utilice **<UP>** o **<DOWN>** para seleccionar **rSEt** (predeterminado de fábrica) o **dSEt** (cambia la disposición de la unidad).
4. Pulse **<ENTER>** para seleccionar la configuración de sistema deseada.

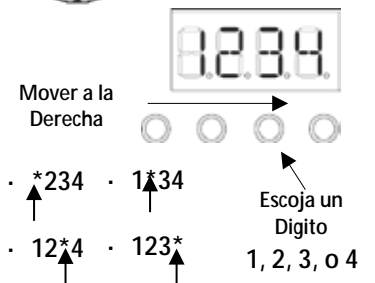
Si se selecciona **rSEt**, el GigBAR 2 vuelve a los valores predeterminados de fábrica.

Disposición de las Unidades por Defecto

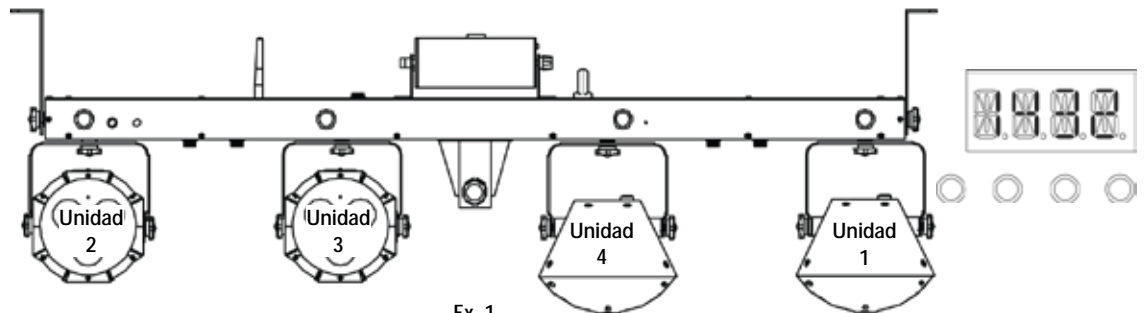


Si selecciona **dSet**, cambie el orden de las unidades usando los pasos y ejemplos de más abajo para colocar las unidades:

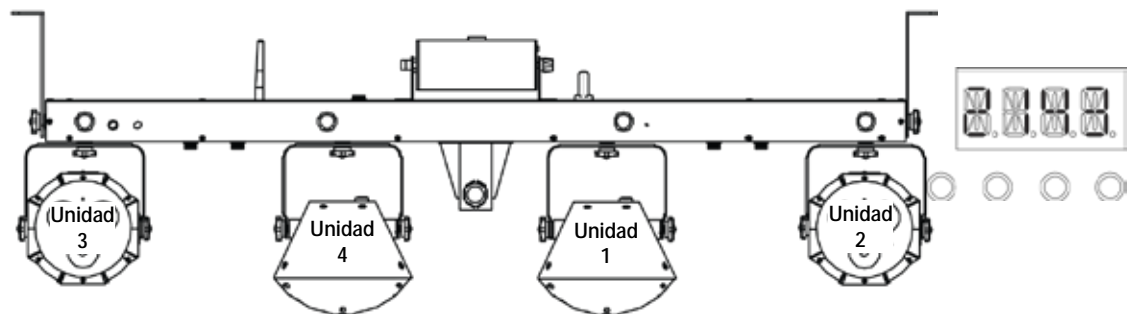
- Utilice **<UP>** para moverse a la derecha por la pantalla.
- Utilice **<DOWN>** para cambiar el valor del dígito (1, 2, 3 o 4).
- Pulse **<ENTER>** para confirmar.
- Repita hasta que las 4 unidades estén colocadas a su gusto.



Ejemplos de Recolocación del Orden de las Unidades



Ex. 1



Ex. 2

Asignaciones de Canal y Valores DMX

23CH	Canal	Función	Valor	Configuración		
23CH	1	Control del Foco 1	000 ó 255	Rojo 0–100%		
	2		000 ó 255	Verde 0–100%		
	3		000 ó 255	Azul 0–100%		
	4		000 ó 255	UV 0–100%		
	5		000 ó 127	RGB, basado en los canales 1, 2 y 3		
			128 ó 239	Velocidad de estroboscopia, lento a rápido		
			240 ó 249	Estroboscopia por sonido		
			250 ó 255	RGB 100%		
	23CH		6	Control del Foco 2	000 ó 255	Rojo 0–100%
			7		000 ó 255	Verde 0–100%
8		000 ó 255	Azul 0–100%			
9		000 ó 255	UV 0–100%			
10		000 ó 127	RGB, basado en los canales 6, 7 y 8			
		128 ó 239	Velocidad de estroboscopia, lento a rápido			
		240 ó 249	Estroboscopia por sonido			
		250 ó 255	RGB 100%			
23CH		11	Control del Derby 1		000 ó 024	Blackout
					025 ó 049	Rojo
	050 ó 074			Verde		
	075 ó 099			Azul		
	100 ó 124			Rojo + Verde		
	125 ó 149			Rojo + Azul		
	150 ó 174			Verde + Azul		
	175 ó 199			Rojo + Verde + Azul		
	200 ó 224			Automático (colores individuales)		
	225 ó 255			Automático (dos colores a la vez)		
23CH	12	Frecuencia de Estroboscopia del Derby 1	000 ó 009	Sin función		
			010 ó 239	Estroboscopia, 0–30 Hz		
			240 ó 255	Estroboscopia por sonido		
23CH	13	Rotación del Derby 1	000 ó 004	Parada		
			005 ó 127	Giro en sentido horario, lento a rápido		
			128 ó 133	Parada		
			134 ó 255	Rotar en sentido antihorario, lento a rápido		

Nota: Usted es capaz de utilizar un máximo de 3 colores a la vez

Nota: Usted es capaz de utilizar un máximo de 3 colores a la vez

23CH	Canal	Función	Valor	Configuración
14	Control del Derby 2	000 ó 024	Blackout	
		025 ó 049	Rojo	
		050 ó 074	Verde	
		075 ó 099	Azul	
		100 ó 124	Rojo + Verde	
		125 ó 149	Rojo + Azul	
		150 ó 174	Verde + Azul	
		175 ó 199	Rojo + Verde + Azul	
		200 ó 224	Automático (colores individuales)	
		225 ó 255	Automático (dos colores a la vez)	
15	Frecuencia de Estroboscopia del Derby 2	000 ó 009	Sin función	
		010 ó 239	Estroboscopia, 0–30 Hz	
		240 ó 255	Estroboscopia por sonido	
16	Rotación del Derby 2	000 ó 004	Parada	
		005 ó 127	Giro sentido horario	
		128 ó 133	Parada	
		134 ó 255	Giro sentido antihorario	
17	Color del Láser	000 ó 039	Blackout	
		040 ó 079	Rojo encendido	
		080 ó 119	Verde encendido	
		120 ó 159	Red + Green encendido	
		160 ó 199	Estroboscopia Verde + Rojo encendido	
		200 ó 239	Verde encendido + Estroboscopia rojo	
		240 ó 255	Rojo + Verde (estroboscopia alternativo)	
18	Estroboscopia Láser	000 ó 009	Sin función	
		010 ó 239	Estroboscopia velocidad, lento a rápido	
		240 ó 255	Estroboscopia por sonido	
19	Patrón Láser	000 ó 004	Parada	
		005 ó 127	Giro sentido horario, lento a rápido	
		128 ó 133	Parada	
		134 ó 255	Giro sentido antihorario, lento a rápido	

23CH	Canal	Función	Valor	Configuración
20		Patrones Estroboscopio	000 ó 009	Blackout
			010 ó 019	Programa automático 1 (blanco)
			020 ó 029	Programa automático 2 (blanco)
			030 ó 039	Programa automático 3 (blanco)
			040 ó 049	Programa automático 4 (blanco)
			050 ó 059	Programa automático 5 (blanco)
			060 ó 069	Programa automático 6 (blanco)
			070 ó 079	Programa automático 7 (blanco)
			080 ó 089	Programa automático 8 (blanco)
			090 ó 099	Programa automático 9 (blanco)
			100 ó 109	Blanco estroboscopio, lento a rápido
			110 ó 119	Programa automático 1 (UV)
			120 ó 129	Programa automático 2 (UV)
			130 ó 139	Programa automático 3 (UV)
			140 ó 149	Programa automático 4 (UV)
			150 ó 159	Programa automático 5 (UV)
			160 ó 169	Programa automático 6 (UV)
			170 ó 179	Programa automático 7 (UV)
			180 ó 189	Programa automático 8 (UV)
			190 ó 199	Programa automático 9 (UV)
			200 ó 209	UV estroboscopio, lento a rápido
210 ó 255	Estroboscopio por sonido			
21	Blanco Atenuador del Estroboscopio	000 ó 255	0–100%	Nota: Canales 21 y 22 no se pueden utilizar al mismo tiempo
22	UV Atenuador del Estroboscopio	000 ó 255	0–100%	
23	Velocidad del Estroboscopio	000 ó 255	Lento a rápido	

11CH	Canal	Función	Valor	Configuración	
	1	Color de Focos y Derby luces	000 ó 255	Rojo 0–100%	Nota: Usted es capaz de utilizar un máximo de 3 colores a la vez
	2		000 ó 255	Verde 0–100%	
	3		000 ó 255	Azul 0–100%	
	4		000 ó 255	UV 0–100%	
	5	Controles de Estroboscopio de Focos y Derby luces	000 ó 127	Todo 0–100%	
			128 ó 239	Velocidad del estroboscopio	
			240 ó 249	Estoboscopio por sonido	
			250 ó 255	Todo Encendido	
	6	Rotación del Motor del los Derby luces	000 ó 004	Parada del movimiento	
			005 ó 127	Giro en sentido horario, lento a rápido	
			128 ó 133	Parada del movimiento	
			134 ó 255	Giro en sentido antihorario, lento a rápido	
	7	Controles del Láser Rojo	000 ó 004	Láser rojo en blackout (oscuridad)	
			005 ó 054	Láser rojo encendido	
			055 ó 255	Velocidad del estroboscopio láser rojo, lento a rápido	
	8	Controles del Láser Verde	000 ó 004	Láser verde en blackout (oscuridad)	
			005 ó 054	Láser verde encendido	
			055 ó 255	Velocidad del estroboscopio láser verde, lento a rápido	
	9	Velocidad del Movimiento del Láser	000 ó 004	Sin movimiento	
			005 ó 127	Rotación en sentido horario, lento a rápido	
			128 ó 133	Parada del movimiento	
			134 ó 255	Rotación en el sentido anti-horario, lento a rápido	
	10	Velocidad del Estroboscopio (blanco)	000 ó 054	Atenuador de estroboscopio blanco, 0–100%	Nota: Canales 10 y 11 no se pueden utilizar al mismo tiempo
			055 ó 255	Blanco Velocidad de estroboscopio, lento a rápido	
	11	Velocidad del Estroboscopio (UV)	000 ó 054	Atenuador de estroboscopio UV, 0–100%	
			055 ó 255	Velocidad de estroboscopio UV, lento a rápido	

3 CH	Canal	Función	Valor	Configuración
1		Funcionamiento LED	000 ó 009	Sin función
			010 ó 119	Modo mezclado automático, rápido a lento
			120 ó 229	Modo 2 mezclado automático, rápido a lento
			230 ó 234	Modo mezclado por sonido
			235 ó 239	Modo 2 mezclado por sonido
			240 ó 255	Configuración del show cuando los canales 2 y 3 están activados
2		Funcionamiento	000 ó 009	Blackout
			010 ó 019	SOLO focos encendidos, haciendo todos show de foco único
			020 ó 029	SOLO Derby luces encendidos
			030 ó 039	SOLO láser encendido
			040 ó 049	SOLO estroboscopios encendidos, haciendo todos show de estroboscopio único
			050 ó 059	SOLO focos y Derby luces automático
			060 ó 069	SOLO focos y láser automático
			070 ó 079	SOLO focos y estroboscopios automático
			080 ó 089	SOLO Derby luces y láser automático
			090 ó 099	SOLO estroboscopios y Derby luces automático
			100 ó 109	Focos, Derby luces y láser
			110 ó 119	Focos, Derby luces y estroboscopios
			120 ó 129	Focos, láser y estroboscopios
			130 ó 139	Derby luces, láser y estroboscopios
			140 ó 149	Efecto de foco por sonido
			150 ó 159	Efecto de Derby por sonido
			160 ó 169	Efecto de láser por sonido
			170 ó 179	Efecto de estroboscopio por sonido
			180 ó 189	Focos + Derby luces por sonido
			190 ó 199	Focos + láser por sonido
			200 ó 209	Focos + estroboscopios por sonido
			210 ó 219	Derby luces + láser por sonido
			220 ó 229	Derby luces + estroboscopios por sonido
			230 ó 239	Focos, Derby luces y laser por sonido
240 ó 244	Focos, Derby y estroboscopios por sonido			
245 ó 249	Focos, láser y estroboscopios por sonido			
250 ó 255	Derby luces, láser y estroboscopios por sonido			
3		Velocidad Automática	000 ó 255	Velocidad, cuando el canal 2 está en 050-099

Funcionamiento del IRC-6 (Control Remoto por Infrarrojos 6)

Nota: Asegúrese de no apuntar con el IRC-6 directamente al receptor del producto.



Modo Automático

El modo Automático le permitirá ejecutar programas automáticos en el producto.

Para activar el modo Automático:

- Pulse y mantenga pulsado **<AUTO>** en el IRC-6.
- Pulse cualquier número entre **<0>** y **<9>** para escoger su programa automático.
- Pulse **<+>** o **<->** para aumentar o reducir la velocidad del programa.

Modo Activo por Sonido

El modo Activo por sonido posibilitará que el producto responda a la música.

Para activar el modo Activo por sonido:

- Pulse y mantenga pulsado **<SOUND>** en el IRC-6.
- Pulse cualquier número entre **<0>** y **<9>** para escoger su programa automático.

Modos de Estroboscopio

Para ajustar el programa y frecuencia de estroboscopio:

- Pulse y mantenga pulsado **<STROBE>** en el IRC-6.
- Pulse **<0>** para Todo en estroboscopio o cualquier número entre **<0>** y **<9>** para escoger su programa automático.
- Pulse **<+>** o **<->** para aumentar o reducir la frecuencia de estroboscopio.
- Pulse **<STROBE>** de nuevo para desactivar el estroboscopio.

Programa Modos Definido

Botón	<i>Modo Automático</i>	<i>Modo Activo por Sonido</i>	<i>Modos de Estroboscopio</i>
<0>	AM01	SM01	Todos strobe blanco
<1>	AP01	SP01	Strobe blanco 1
<2>	AP02	SP02	Strobe blanco 2
<3>	AK01	SK01	Strobe blanco 3
<4>	AL01	SL01	Strobe blanco 4
<5>	APK1	SPK1	Strobe blanco 5
<6>	APL1	SPL1	Strobe UV 1
<7>	AKL1	SKL1	Strobe UV 2
<8>	APKL	SPKL	Strobe UV 3
<9>	AKLS	SKLS	Strobe UV 4

Otras operaciones

Para ajustar la frecuencia de fade en la emisión de color del foco y Derby:

- Pulse y mantenga pulsado **<FADE>** en el IRC-6.
- Pulse **<+>** o **<->** para aumentar o reducir la frecuencia de fade.

Para ajustar el brillo del color o estroboscopio:

- Pulse **<%>** en el IRC-6.

1 x Pulsación	2 x Pulsación	3 x Pulsación	4 x Pulsación	5 x Pulsación
100%	75%	50%	25%	0%

Para apagar las luces:

- Pulse **<BLACK OUT>** en el IRC-6. Esto apagará todas las luces hasta que vuelva a pulsar el botón de nuevo.

Funcionamiento del Conmutador de Pie

El conmutador de pie inalámbrico incluido proporciona acceso rápido a los colores preconfigurados, a los programas de cambio de color y a la activación por sonido a través del micrófono del GigBAR 2.

Para usar el conmutador de pie:

1. Conecte el GigBAR 2 a la alimentación.
2. Levante las antenas situadas sobre el GigBAR 2 y el conmutador de pie.
3. Pulse el pedal núm. 1 (Auto) para activar los controles del programa Automático. Cuando esté funcionando, todas las luces empezarán en modo Automático (**AM01**).
4. Utilice la tabla inferior para activar la función deseada.



Pedal	Subopción	Función	
1 (Auto)	1 x pulsación	Focos, Derby Luces , láser y estroboscopio en modo Automático (AM01)	Consulte el Mapa de Menú para la descripción
	2 x pulsaciones	AP01	
	3 x pulsaciones	AP02	
	4 x pulsaciones	AK01	
	5 x pulsaciones	AL01	
	6 x pulsaciones	APK1	
	7 x pulsaciones	APL1	
	8 x pulsaciones	AKL1	
	9 x pulsaciones	APKL	
	10 x pulsaciones	AKLS	
2 (Sonido)	1 x pulsación	Focos, Derby Luces , láser y estroboscopio en modo Sonido (SM01)	Consulte el Mapa de Menú para la descripción
	2 x pulsaciones	SP01	
	3 x pulsaciones	SP02	
	4 x pulsaciones	SK01	
	5 x pulsaciones	SL01	
	6 x pulsaciones	SPK1	
	7 x pulsaciones	SPL1	
	8 x pulsaciones	SKL1	
	9 x pulsaciones	SPKL	
	10 x pulsaciones	SKLS	
3 (Color)	1 x pulsación	Rojo sin láser, sin estroboscopio	
	2 x pulsaciones	Verde sin láser, sin estroboscopio	
	3 x pulsaciones	Azul sin láser, sin estroboscopio	
	4 x pulsaciones	UV sin láser, sin estroboscopio	
	5 x pulsaciones	Amarillo sin láser, sin estroboscopio	
	6 x pulsaciones	Rosa sin láser, sin estroboscopio	
	7 x pulsaciones	Cian sin láser, sin estroboscopio	
	8 x pulsaciones	Rojo oscura sin láser, sin estroboscopio	
	9 x pulsaciones	Cian oscura sin láser, sin estroboscopio	
	10 x pulsaciones	Blanco sin láser, sin estroboscopio	
4 (Blackout)	N/A	Apaga inmediatamente todos los dispositivos de luz	



El conmutador de pie del GigBAR 2 funcionará adecuadamente en cualquier modo, con una distancia máxima sin obstáculos de 100 ft (30,5 m). Debe encender la Wi-Fi™ en el GigBAR 2 antes de usar el conmutador de pie.

5. INFORMACIÓN TÉCNICA

Mantenimiento del Producto

El polvo acumulado reduce el rendimiento de la salida de luz y puede provocar sobrecalentamiento. Para mantener un rendimiento óptimo, limpie el producto al menos dos veces al mes. Sin embargo, el uso y las condiciones ambientales influyen para un aumento de la frecuencia de limpieza.

Para limpiar el producto, siga las instrucciones siguientes:

1. Desenchufe el producto de la alimentación.
2. Espere a que el producto esté a temperatura ambiente.
3. Use un aspirador (o aire seco comprimido) y un cepillo suave para quitar el polvo depositado en las superficies externas y los orificios de aireación de los ventiladores.
4. Limpie el panel transparente (apertura del láser) con una solución suave de limpiador de cristales sin amoníaco o con alcohol isopropílico.
5. Aplique la solución directamente sobre un paño suave que no deje pelusa o un paño de limpiar lentes.
6. Con suavidad, quite todo el polvo o suciedad de los bordes externos del cristal.
7. Frote suavemente la superficie transparente hasta que no quede turbiedad ni pelusas.



Seque siempre con cuidado las superficies ópticas después de limpiarlas.



No gire el ventilador de refrigeración usando aire comprimido, puesto que podría estropearlo.

6. ESPECIFICACIONES TÉCNICAS

Dimensiones y Peso

GigBAR 2	Longitud	Anchura	Altura	Peso
	46,7 in (1.185 mm)	4,3 in (110 mm)	15,2 in (387 mm)	14,4 lb (6,6 kg)
Trípode	Altura mín.	Altura máx.	Anchura de las patas (superficie ocupada)	Tamaño
	4,8 ft (1,5 m)	8,3 ft (2,5 m)	3,9 ft (1,2 m)	1,5 in (37,4 mm)

Note: Dimensions in inches rounded to the nearest decimal digit.

Alimentación	Tensión de entrada	Rango	Selección de tensión
	Conmutación (interna)	100–240 VCA, 50/60 Hz	Detección automática (autorango)
	Parámetro	120 V, 60 Hz	230 V, 50 Hz
	Consumo	68 W	64 W
	Corriente de funcionamiento	1 A	0.5 A
	Intensidad de alimentación en cadena (unidades)	10,4 A (8 unidades)	10,4 A (15 unidades)
	Fusible	T 1,6 A, 250 V	T 1,6 A, 250 V
	E/S alimentación	US/Mundial	UK/Europa
	Conector de entrada de alimentación	IEC	IEC
	Conector de salida de alimentación	Edison	IEC
	Enchufe de cable de alimentación	Edison (EE. UU.)	Enchufe local

Fuente de Luz

Láser	Tipo	Alimentación	Longitud de onda
	Láser (verde)	30 mW	532 nm
	Láser (rojo)	100 mW	532 nm

LED

Derby luces	Tipo	Alimentación	Duración
	LED	6 W	50.000 horas
	Color	Cantidad	Intensidad
	Rojo	2	1.7 A
	Verde	2	1.7 A
	Azul	2	1.7 A

Focos

	Tipo	Alimentación	Duración
	LED	2,5 W	50.000 horas
	Color	Cantidad	Intensidad
	Quadcolor RGB+UV	6	1.1 A

Estroboscopios

	Tipo	Alimentación	Duración
	LED	1.8 W	50.000 horas
	Color	Cantidad	Intensidad
	Blanco+UV	4	600 mA

Fotometría	Parámetro	Valor	
	Ángulo de cobertura (láser)	93°	
	Ángulo de cobertura (Derby):	114°	
	Ángulo del campo (estroboscopio):	18°	
	Ángulo del campo (focos):	24°	
	Ángulo del haz (estroboscopio)	8°	
	Ángulo del haz (focos):	13°	
	Frecuencia de estroboscopio	0-18 Hz	
Iluminancia a 2 m (estroboscopio)	86 lux (por zona)		
Iluminancia a 2 m (focos)	1.205 lux (por cabeza)		
Térmicas	Temp. externa máxima del láser	Sistema de refrigeración	
	95 °F (35 °C)	Por ventilador y convección	
Interruptor de pie	Frecuencia de funcionamiento	Máx. distancia (sin obstáculos)	Alimentación
	433 MHz	100 ft (30,5 m)	12 V, 23 A Pila
DMX	Conectores E/S	Tipo de conector	Rango de canal
	XLR 3 pines	Conectores	3,11 o 23
Pedidos	Nombre de producto	Código de artículo	Código UPC
	GigBAR2	10051204	781462215521



DEVOLUCIONES

En caso de que necesite asistencia o devolver un producto:

- Si se encuentra en EE. UU., póngase en contacto con la Oficina Central de Chauvet.
- Si se encuentra en México, póngase en contacto con Chauvet México.
- Si se encuentra en cualquier otro país, NO contacte con Chauvet. Contacte con su distribuidor local. Vea www.chauvetlighting.com para distribuidores fuera de EE. UU. o México.



Si se encuentra fuera de los EE. UU. o México, póngase en contacto con su distribuidor de registro y siga sus instrucciones sobre cómo devolverle a ellos los productos Chauvet. Visite nuestra web www.chauvetlighting.com para los detalles de contacto.

Llame a la oficina de Asistencia Técnica Chauvet correspondiente y pida un número de Autorización de Devolución de la mercancía (RMA) antes de enviar el producto. Esté preparado para proporcionar el número de modelo, número de serie y una breve descripción de la causa de la devolución.

Envíe la mercancía a portes pagados, en su caja original y con su embalaje y accesorios originales. Chauvet no expedirá etiquetas de devolución.

Etiquete el paquete claramente con el número de RMA. Chauvet rechazará cualquier producto devuelto sin un número de RMA.



Escriba el número de RMA en una etiqueta convenientemente adherida. NO escriba el número de RMA directamente sobre la caja.

Antes de enviar el producto, escriba claramente la siguiente información en una hoja de papel y colóquela dentro de la caja:

- Su nombre
- Su dirección
- Su número de teléfono
- Número de RMA
- Una breve descripción del problema

Asegúrese de que empaqueta el producto adecuadamente. Cualquier daño en el transporte que resulte de un empaquetado inadecuado será responsabilidad suya. Se recomienda empaquetado FedEx o de doble caja.



Chauvet se reserva el derecho de usar su propio criterio para reparar o reemplazar productos devueltos.

1. AVANT DE COMMENCER

- Contenu**
- GigBAR 2
 - Cordon d'alimentation
 - 2 équerres
 - Pédale sans fil avec batterie
 - Sac de transport VIP
 - Trépied
 - Sac de transport pour le trépied
 - Fiche de garantie
 - Manuel de l'utilisateur

Description Le GigBAR 2 est ce qui se fait de mieux en système tout-en-un comprenant deux effets derby rotatifs à LED RGB, deux PARs à LED quadcolore à haute puissance, un laser rouge/vert et un effet de stroboscope blanc/UV à sorties multiples. Permet facilement de contrôler les programmes et chacune des couleurs de chacune des têtes réglables individuellement. La télécommande IRC-6 est vendue séparément.

Instructions de Déballage Déballer avec précaution et sans attendre l'appareil et vérifiez la boîte pour vous assurer que tous les éléments se trouvent dans l'emballage et ne présentent aucun dommage.




Réclamations Si l'emballage ou le contenu (l'appareil et les accessoires livrés avec) semble avoir été endommagé pendant le transport, ou s'il présente des signes de manipulation sans précaution, veuillez dès réception en notifier immédiatement le transporteur et non Chauvet. Ne pas enregistrer votre réclamation auprès du transporteur en temps et en heure peut entraîner une invalidation de celle-ci. Gardez l'emballage et tous les matériaux d'emballage pour inspection.

Pour tout autre problème comme la non livraison de pièces ou composants, des dommages sans rapport avec la livraison ou pour des vices cachés, veuillez déposer votre réclamation auprès de Chauvet dans les 7 jours suivant la livraison.

Conventions Manuelles

Convention	Signification
1-512	Une plage de valeurs
50/60	Un ensemble de valeurs parmi lesquelles on ne peut en choisir qu'une
Settings	Une option de menu à ne pas modifier
Menu > Settings	Une séquence d'options de menu à suivre
<ENTER>	Un bouton sur lequel appuyer sur le panneau de commande de l'appareil
ON	Une valeur à saisir ou à sélectionner

Symboles

Symbole	Signification
	Consignes importantes en matière d'installation, de configuration et de fonctionnement. Le non-respect de ces consignes peut entraîner le non fonctionnement de l'appareil ou lui causer des dommages. De même, l'utilisateur pourrait s'en trouver affecté.
	Consignes importantes en matière d'installation ou de configuration. Le produit peut ne pas fonctionner correctement si ces instructions ne sont pas suivies.
	Information utile.

Clause de Non Responsabilité

Chauvet estime que les informations contenues dans ce manuel sont exactes à tous les égards. Cependant, Chauvet n'assume aucune responsabilité et décline expressément toute responsabilité envers toute partie de toute perte, dommage ou dérangement causés par des erreurs ou des omissions dans ce document, que ces erreurs ou omissions résultent d'une négligence, d'un accident ou de toute autre cause. Chauvet se réserve le droit de réviser le contenu de ce document sans aucune obligation de notifier quelque personne ou société que ce soit de cette révision. Cependant, Chauvet n'a aucune obligation de réaliser de telles révisions, sans non plus s'engager à les réaliser. Téléchargez la dernière version de ce manuel sur www.chauvetlighting.com.

Les œuvres d'auteur contenues dans ce manuel, y compris, mais sans s'y limiter, l'ensemble des conceptions, des textes et des images sont la propriété de Chauvet.

© Copyright 2016 Chauvet & Sons, LLC. Tous droits réservés.

Publié électroniquement par Chauvet aux États-Unis.

CHAUVET, le logo Chauvet et "*GigBAR 2*" sont des marques déposées ou des marques de Chauvet & Sons LLC. (d/b/a Chauvet et Chauvet Lighting) aux États-Unis et dans d'autres pays. Les autres noms de produits et logos mentionnés dans le présent manuel peuvent être des marques commerciales de leurs sociétés respectives.

Consignes de Sécurité

Les consignes de sécurité comprennent des informations importantes sur la sécurité des systèmes laser. Veuillez lire et bien comprendre toutes les instructions avant d'allumer le laser pour la première fois. La connaissance de ces consignes de sécurité est cruciale pour éviter toute blessure aux yeux par un laser et pour ne pas enfreindre la loi. Veuillez conserver ce manuel d'utilisation dans un lieu sûr pour vous y référer ultérieurement.



LIRE L'INTÉGRALITÉ DES DONNÉES DE SÉCURITÉ DES LASERS AVANT DE CONTINUER



- Les lasers peuvent être dangereux et nécessitent des précautions de sécurité spécifiques. En cas de mauvaise utilisation de lasers, il y a des risques de lésions oculaires permanentes et de cécité. Portez une attention particulière à chaque REMARQUE de sécurité et chaque déclaration d'AVERTISSEMENT dans ce manuel de l'utilisateur. Lisez toutes les instructions avec soin AVANT d'utiliser cet appareil.
- Toujours connecter l'appareil à un circuit à la terre pour éviter les risques d'électrocution.
- Toujours débrancher l'appareil de la source d'alimentation avant de le nettoyer.
- Évitez tout contact visuel direct avec la source lumineuse quand cet appareil est en marche.
- Veillez à ce que le cordon d'alimentation ne soit jamais pincé ou endommagé.
- Ne débranchez jamais cet appareil en tirant sur le cordon d'alimentation.
- En cas de montage de l'appareil en hauteur, veillez à toujours le fixer à un dispositif d'attache à l'aide d'un câble de sécurité.
- Veillez à ce qu'il ne se trouve jamais à proximité d'aucun matériel inflammable lorsqu'il est en fonctionnement.
- Ne touchez pas le boîtier de l'appareil lorsqu'il est en fonctionnement, celui-ci pouvant être très chaud.



- Cet appareil n'est pas adapté pour une installation permanente.
- Assurez-vous toujours que la tension de la source d'énergie à laquelle est connecté l'appareil est dans la fourchette indiquée sur l'étiquette ou sur le panneau arrière de l'appareil.
- Cet appareil doit uniquement être utilisé en intérieur. (IP20) Afin d'éviter tout risque d'incendie ou de décharge électrique, veillez à n'exposer cet appareil ni à la pluie ni à l'humidité.
- Installez toujours cet appareil dans un endroit bien ventilé à au moins 50 cm (20 po) des surfaces adjacentes.
- Assurez-vous qu'aucune fente de ventilation sur le boîtier n'est obstruée.

- Ne connectez jamais l'appareil à un variateur.
- Utilisez toujours le support de fixation pour transporter l'appareil.
- Ne pas éteindre/allumer l'appareil rapidement de manière répétée. Cela a pour effet de réduire la durée de vie de la diode laser.
- Ne pas secouer cet appareil. Évitez toute force brute lors du montage ou de l'utilisation de cet appareil.
- TOUJOURS utiliser un câble de sécurité lors du montage de l'appareil en hauteur.
- La plage de température ambiante de fonctionnement pour le laser est de 15 °C à 35 °C (59 °F à 95 °F). Ne faites pas fonctionner cet appareil à des températures en dehors de cette plage.
- En cas de sérieux problèmes de fonctionnement, arrêtez l'appareil immédiatement.
- N'essayez jamais de réparer l'appareil par vous-même. Toute réparation effectuée par une personne non qualifiée peut entraîner des dommages ou un fonctionnement erratique de l'appareil. Mettez-vous en relation avec le centre d'assistance technique autorisé le plus près de chez vous.
- Durant les périodes de non-utilisation, pour éviter toute usure inutile et pour prolonger la durée de vie, déconnectez-entièrement l'appareil en le débranchant de l'alimentation électrique ou en coupant le disjoncteur.



ATTENTION ! L'utilisation de commandes, réglages ou procédures autres que CEUX spécifiés DANS CE MANUEL DE L'UTILISATEUR peut entraîner une exposition à des rayonnements dangereux.



- Chauvet recommande vivement la mise en place de sacs de sable sur la base du pied pour plus de stabilité.
- **NE PAS dépasser le cran d'arrêt imprimé sur le mât.**



- **NE PAS trop serrer la vis de au niveau du point d'insertion du trépied sous risque de causer des dommages au mât du pied.**
- **NE PAS utiliser ce pied pour un usage non prévu.**



- Évitez tout contact visuel direct avec la lumière laser. Ne jamais exposer volontairement vos yeux ou ceux d'autres personnes directement à la lumière laser.
- Cet appareil à laser peut potentiellement causer instantanément des blessures aux yeux ou la cécité si la lumière laser rentre directement en contact avec les yeux.
- Il est illégal et dangereux de diriger ce laser vers des zones d'audience dans lesquelles le public ou d'autres personnes pourraient recevoir directement des rayons laser ou des réflexions lumineuses dans leurs yeux.
- Diriger un laser sur un avion est considéré comme une infraction fédérale.
- L'utilisation de commandes, réglages ou procédures autres que ceux spécifiés dans ce manuel de l'utilisateur peut entraîner une exposition à des rayonnements dangereux.
- **NE PAS essayer d'effectuer des réparations. Les réparations et l'entretien doivent être effectués par un technicien certifié. Les modifications non autorisées sont interdites pour des raisons de sécurité !**



- **Veillez conserver ce manuel de l'utilisateur pour vous y référer ultérieurement. En cas de transfert de propriété de l'appareil à un autre utilisateur, assurez-vous que ce document soit conservé avec le laser.**

Avertissement de Boîtier non-Verrouillé

- Cet appareil renferme des dispositifs laser de haute puissance.
- Ne pas ouvrir le boîtier du laser, en raison de l'exposition potentielle à des niveaux dangereux de rayonnement laser.
- Les niveaux de puissance de laser, accessibles si l'appareil est ouvert, peuvent causer instantanément la cécité, des brûlures de la peau et des incendies.

Consignes de Sécurité des Lasers



LIRE L'INTÉGRALITÉ DES CONSIGNES DE SÉCURITÉ DES LASERS AVANT DE CONTINUER



La lumière laser est différente de toutes les autres lumières. La lumière laser peut causer des blessures aux yeux s'il n'est pas installé et utilisé correctement. La lumière laser est plusieurs milliers de fois plus concentrée que tout autre type de lumière. Cette concentration peut provoquer des lésions oculaires instantanés, principalement par la combustion de la rétine (la partie sensible à la lumière à l'arrière de l'œil). La chaleur d'une lumière laser ne peut pas être ressentie mais elle peut néanmoins blesser ou rendre aveugle les utilisateurs de l'appareil et le public. Même de très petites quantités de lumière laser sur de longues distances sont potentiellement dangereuses.

NE PAS penser que l'exposition à un faisceau laser est sans danger, même si ce n'est qu'une petite déviation d'un faisceau plus large. Cet appareil à laser utilise des dizaines de milliwatts de puissance laser (niveaux internes classe 3B) avant de les séparer en plusieurs faisceaux (niveaux classe 3R). Chacun des faisceaux laser de classe 3R est potentiellement dangereux pour les yeux.

NE SUPPOSEZ PAS qu'une lumière laser en mouvement est sans danger. Une lumière laser n'est jamais sans risque. Les lésions oculaires peuvent survenir en un instant, il est donc vital de faire tout le nécessaire pour éviter toute exposition directe de l'œil. Conformément à la réglementation en matière de sécurité laser, il est illégal de diriger des lasers de classe 3R dans des zones où des personnes peuvent être exposées, même si le laser est dirigé en-dessous du visage des personnes, par exemple une piste de danse.

- Ne pas faire fonctionner le laser sans avoir lu et bien compris toutes les données techniques et de sécurité de ce manuel.
- TOUJOURS configurer et installer tous les effets de laser afin que toute lumière laser soit à au moins 3 mètres (9,8 pieds) au-dessus du sol sur lequel les gens peuvent se tenir debout. Voir la section [Utilisation Appropriée](#) de ce manuel.
- Après l'installation, et avant l'usage en public, testez les lasers pour vous assurer de leur bon fonctionnement. Ne par utiliser l'appareil si un défaut est détecté.
- NE PAS utiliser le laser s'il n'émet qu'un ou deux faisceaux au lieu de plusieurs dizaines/centaines, car cela indique des dommages au réseau de diffraction optique, ce qui permet une émission de laser d'un niveau supérieur à la classe 3R.
- NE PAS pointer des lasers sur des personnes ou des animaux.
- NE PAS regarder dans l'ouverture laser ou dans les faisceaux laser.
- NE PAS diriger des lasers vers des zones où des personnes pourraient y être exposées.
- NE PAS pointer des lasers vers des surfaces très réfléchissantes telles que des fenêtres, des miroirs et le métal brillant. Les réflexions de laser peuvent également être dangereuses.
- Ne jamais pointer un laser sur un avion, cela étant considéré comme une infraction fédérale.
- Ne jamais pointer une faisceau laser non terminé vers le ciel.
- Ne pas exposer l'optique de sortie (ouverture) à des produits chimiques de nettoyage agressifs.
- Ne pas utiliser le laser si le boîtier est endommagé, ouvert, ou si les optiques apparaissent endommagées de quelque manière que ce soit.
- Ne jamais ouvrir le boîtier du laser. Les niveaux élevés de puissance de laser à l'intérieur du boîtier de protection peuvent provoquer des incendies ou brûler la peau, et peuvent provoquer des blessures instantanées aux yeux.
- Ne laissez jamais ce produit fonctionner sans surveillance.
- Le fonctionnement d'un show laser de classe 3R n'est autorisé que si les lasers sont contrôlés par un professionnel qualifié, convenablement formé et ayant pris connaissance des données présentes dans ce manuel.
- Les exigences légales pour l'utilisation d'appareils de divertissement à laser varient d'un pays à l'autre. L'utilisateur est responsable des exigences légales dans l'emplacement / le pays d'utilisation.

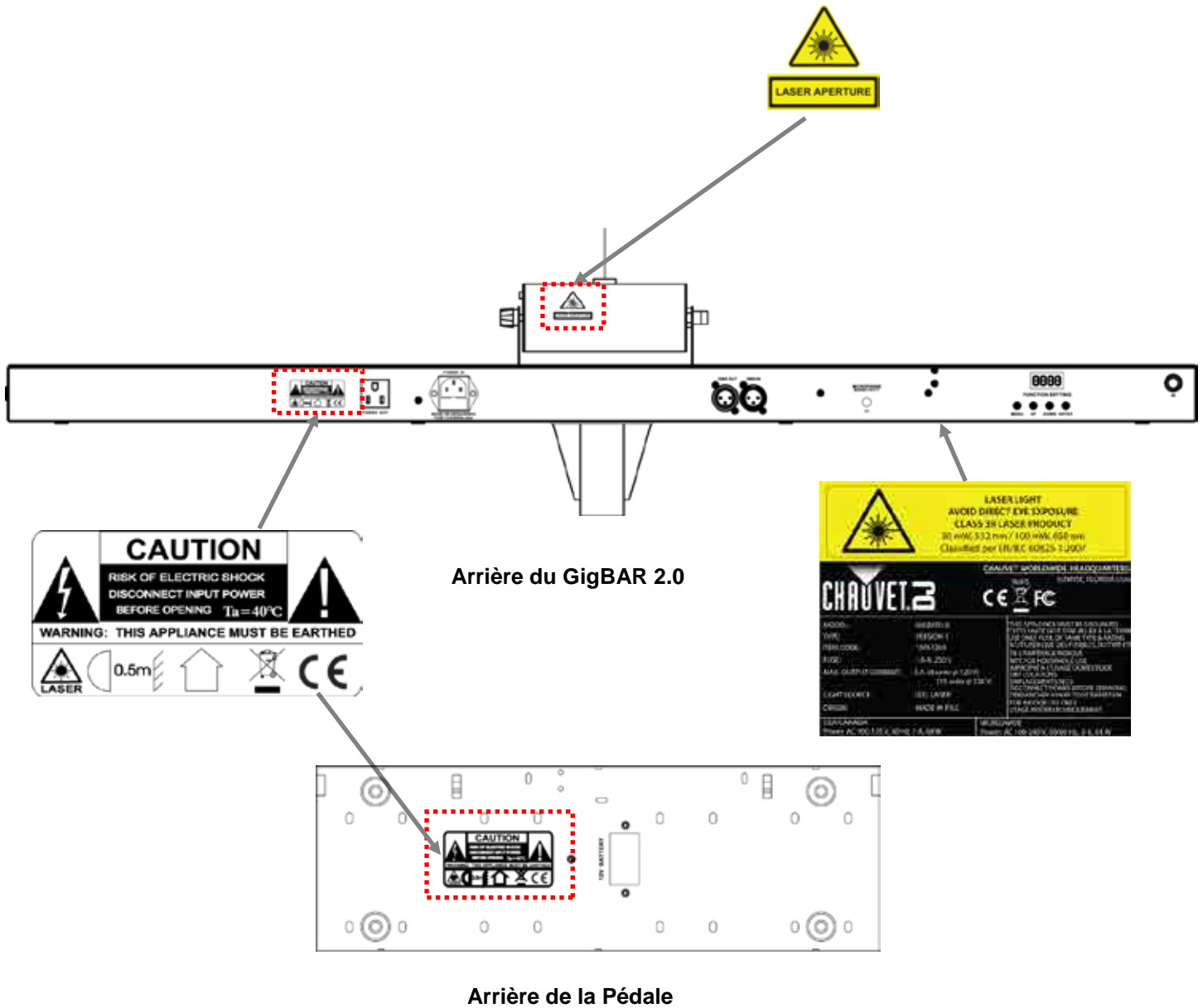


ATTENTION ! NE PAS utiliser cet appareil de manière contraire à ce qui est spécifié dans ce manuel de l'utilisateur. Le non-respect de ces instructions annule la garantie, peut endommager le produit ou blesser l'utilisateur ou le public.



ATTENTION ! Ce produit ne peut pas être jeté avec les ordures ménagères. Veuillez contacter votre service de gestion des déchets pour la réglementation locale concernant l'élimination des produits électroniques dans votre région.

Reproduction de l'Etiquette de Sécurité Laser



Avertissement d'Exposition au Laser

LUMIERE LASER ÉVITER L'EXPOSITION DIRECTE DES YEUX

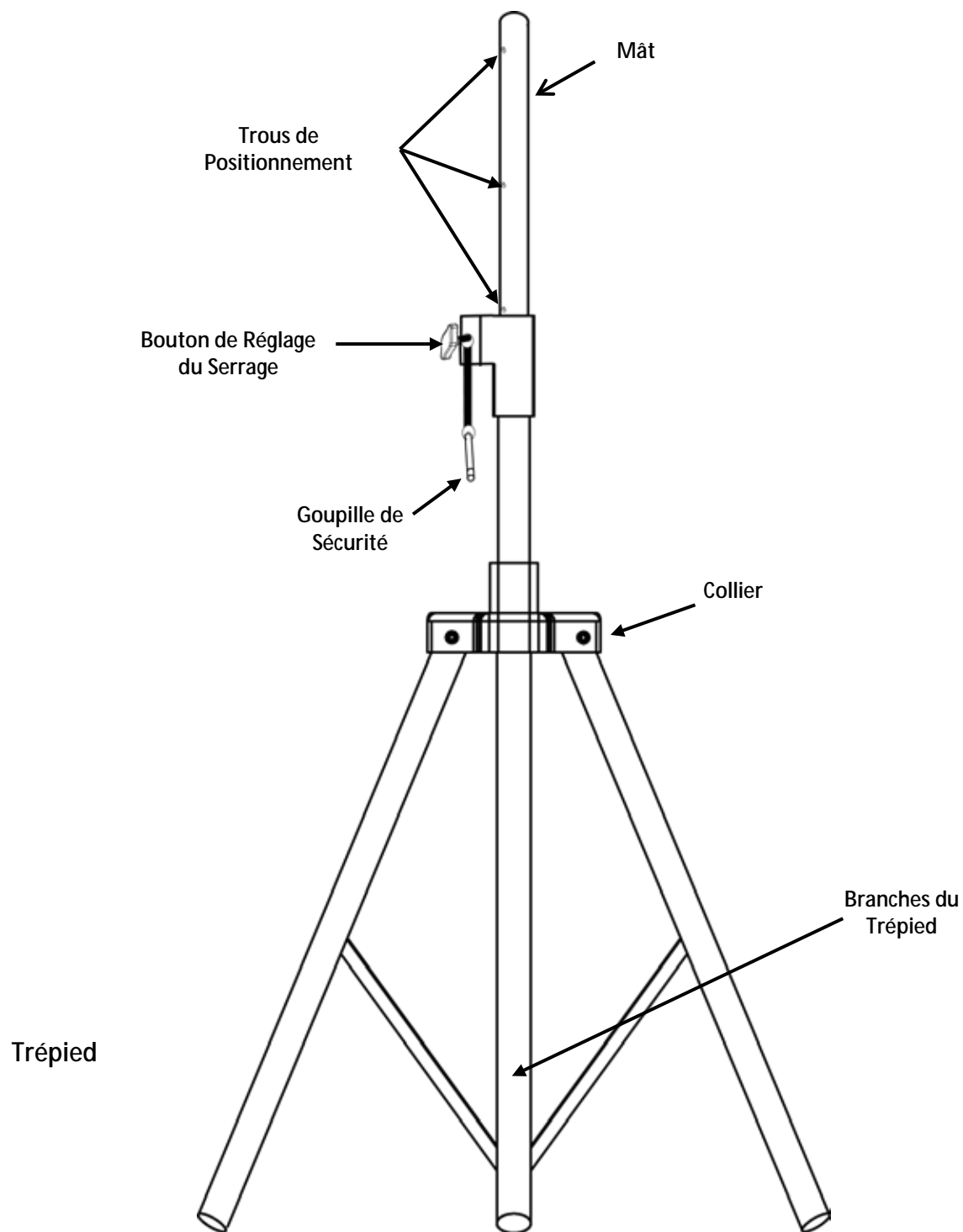
D'autres lignes directrices et programmes de sécurité pour une utilisation sans risque des lasers peuvent être trouvés dans la norme ANSI Z136.1 "Pour l'utilisation sans risque des lasers", disponible auprès du Laser Institute of America. www.laserinstitute.org. De nombreux gouvernements locaux, entreprises, institutions, militaires et autres, exigent que tous les lasers soient utilisés dans le respect des directives de la norme ANSI Z136.1. Une aide pour l'affichage des laser peut être obtenue par l'intermédiaire de l'ILDA (International Laser Display Association) : www.laserist.org.

Données d'émission laser Tel que mesuré dans les conditions de mesure de la CEI pour la classification	Classification laser	Classe 3R
	Milieu laser vert	DPSS Nd:YVO4, 532 nm/30 mW
	Milieu laser rouge	LD GaAlAs, 650 nm/100 mW
	Diamètre du faisceau	<5 mm à l'ouverture
	Données de pulsation	Toutes les pulsations < 4 Hz (>0.25 sec)
	Divergence (chaque faisceau)	<2 mrad
	Divergence (lumière totale)	<160 degrés
	Puissance laser de chaque faisceau au niveau de l'ouverture	<5 mW

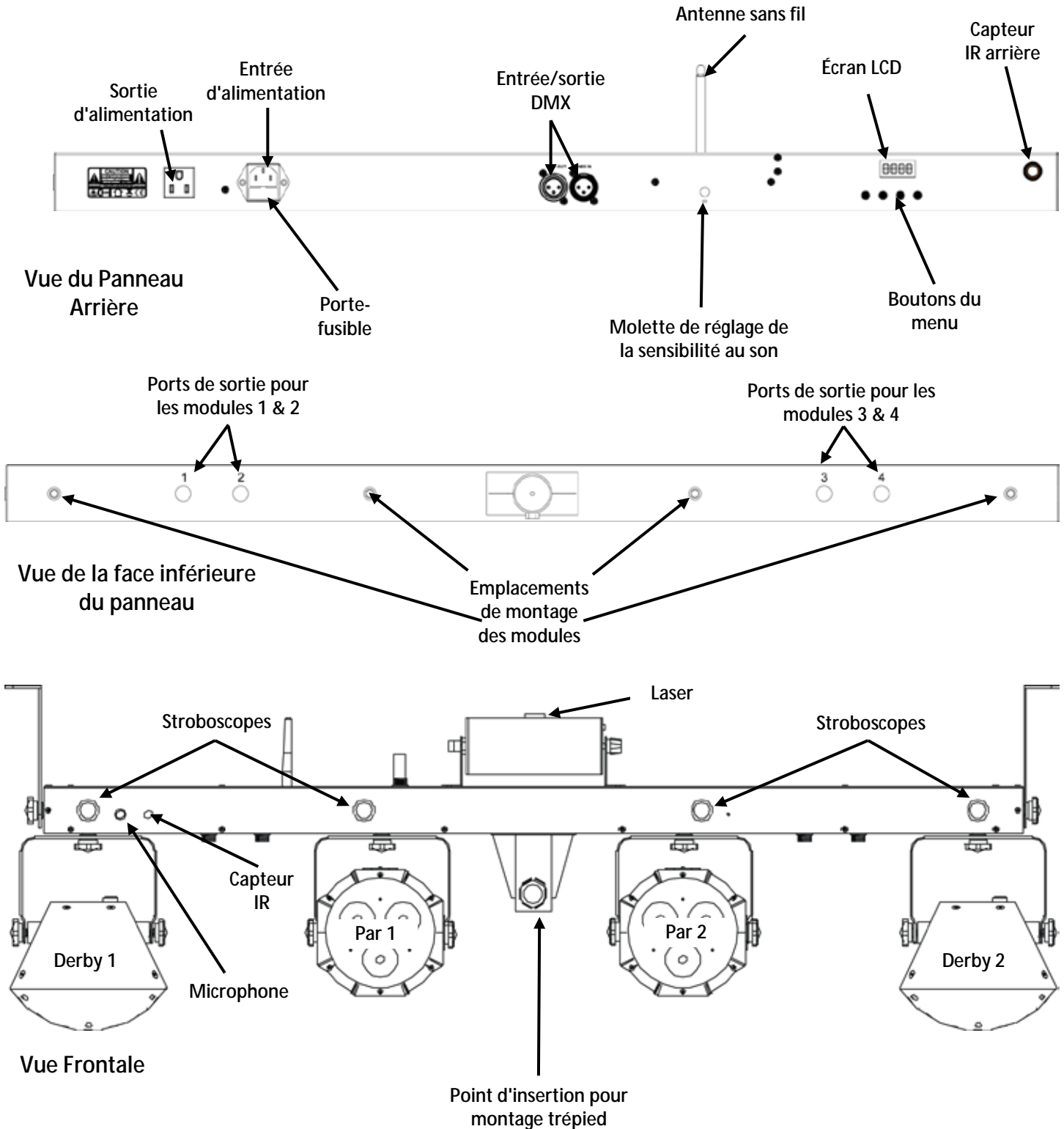
Déclaration de Conformité Laser Ce produit laser est conforme à la norme EN/CEI 60825-1 Ed 2, 2007-03, et à la FDA/CDRH FLPPS en vertu des dispositions de l'avis Laser n°50 du 24 Juin 2007. Ce dispositif laser est de classe 3R. (La classe 3R est l'équivalent international de la classe III. américaine.) Aucun entretien n'est nécessaire pour conserver ce produit dans le respect des normes de performance de laser.

2. INTRODUCTION

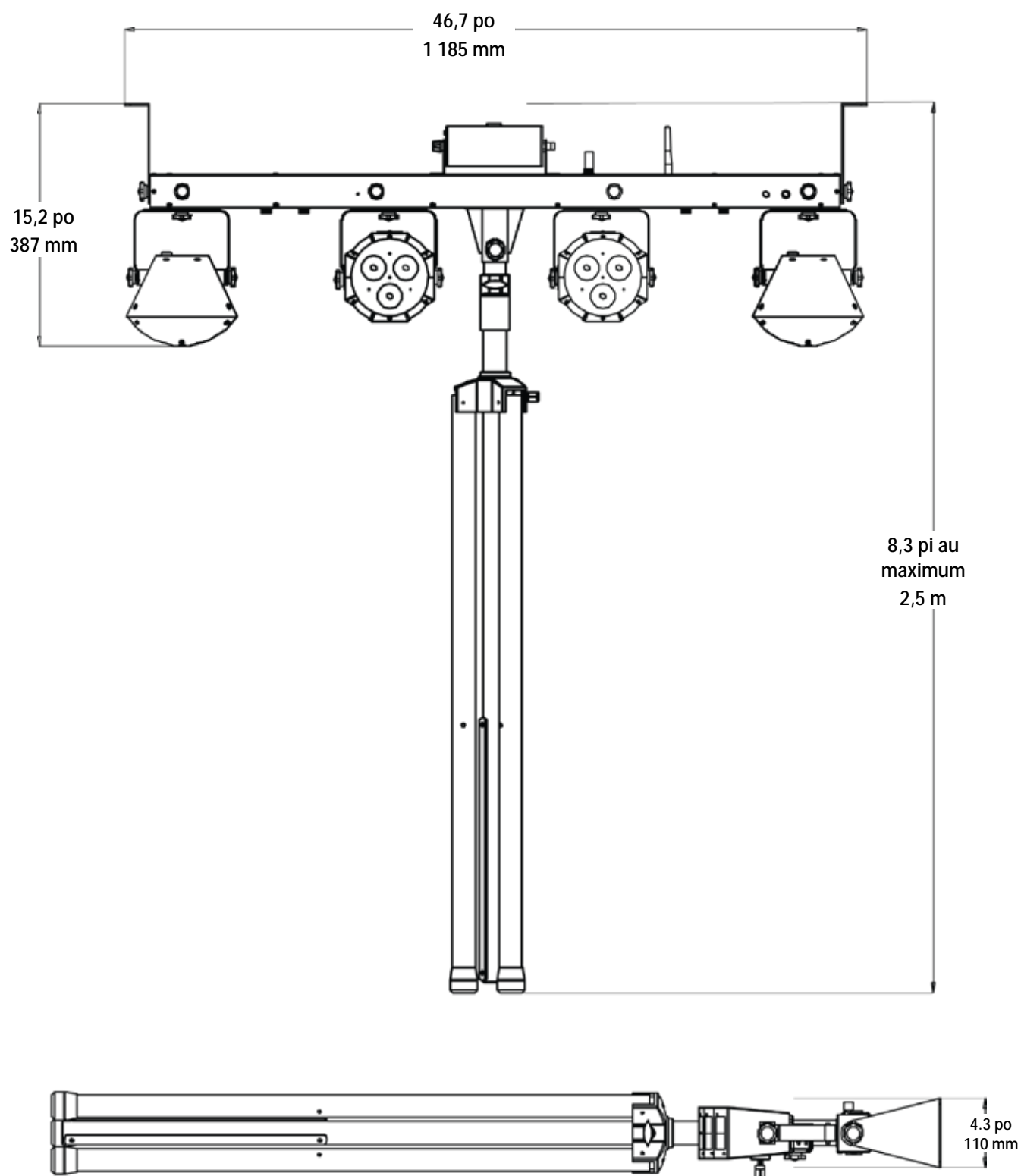
Vue d'Ensemble



Vue d'Ensemble (Suite)



Dimensions



3. CONFIGURATION

Alimentation Le GigBAR 2 est doté d'une alimentation universelle interne et il peut fonctionner avec des tensions d'entrée comprises entre 100 et 240 V CA, 50/60 Hz.

CA

Pour déterminer les besoins en énergie de l'appareil (disjoncteur, prise de courant et câblage), utilisez la valeur de courant figurant sur l'étiquette apposée sur le panneau arrière de l'appareil, ou consultez la section [Spécifications Techniques](#) de ce manuel. La capacité nominale affichée indique la consommation courante dans des conditions normales d'utilisation.



· **Toujours connecter l'appareil à un circuit protégé (disjoncteur ou fusible). Assurez-vous que l'appareil soit correctement mis à la terre pour éviter tout risque d'électrocution ou d'incendie.**

· **Durant les périodes de non-utilisation, pour éviter toute usure inutile et pour prolonger la durée de vie, déconnectez-entièrement l'appareil en le débranchant de l'alimentation électrique ou en coupant le disjoncteur.**



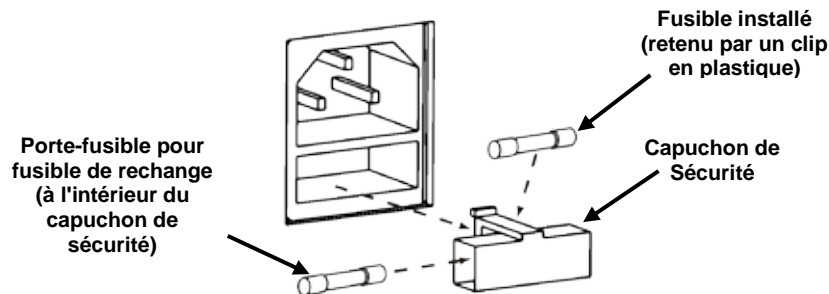
Ne connectez jamais l'appareil à un rhéostat (résistance variable) ou un circuit voleur, même si vous n'avez l'intention de vous servir du rhéostat ou du canal d'assombrissement que comme interrupteur 0 à 100%.

Remplacement des fusibles

1. Débranchez l'appareil.
2. Calez la pointe d'un tournevis à tête plate dans la fente du porte-fusible.
3. Soulevez le porte-fusible hors du boîtier.
4. Retirez le fusible grillé du porte-fusible.
5. Remplacez-le par un fusible de même type.
6. Remettez en place le porte-fusible puis rebranchez.



Débranchez l'appareil avant de changer le fusible.



Aucun fusible de rechange n'est livré avec l'appareil, toutefois la capsule de sécurité permet d'en accueillir un.



Remplacez toujours un fusible grillé avec un de même type et même ampérage.

Chaînage Électrique

Le chaînage électrique consiste à connecter des appareils en guirlande par le biais de leurs connecteurs d'entrée et de sortie d'alimentation, ce qui permet à plusieurs appareils d'être alimentés à partir d'une seule prise de courant.

Jusqu'à 8 appareils GigBAR 2 peuvent être alimentés sur du 120 V et jusqu'à 15 appareils GigBAR 2 sur du 230 V.



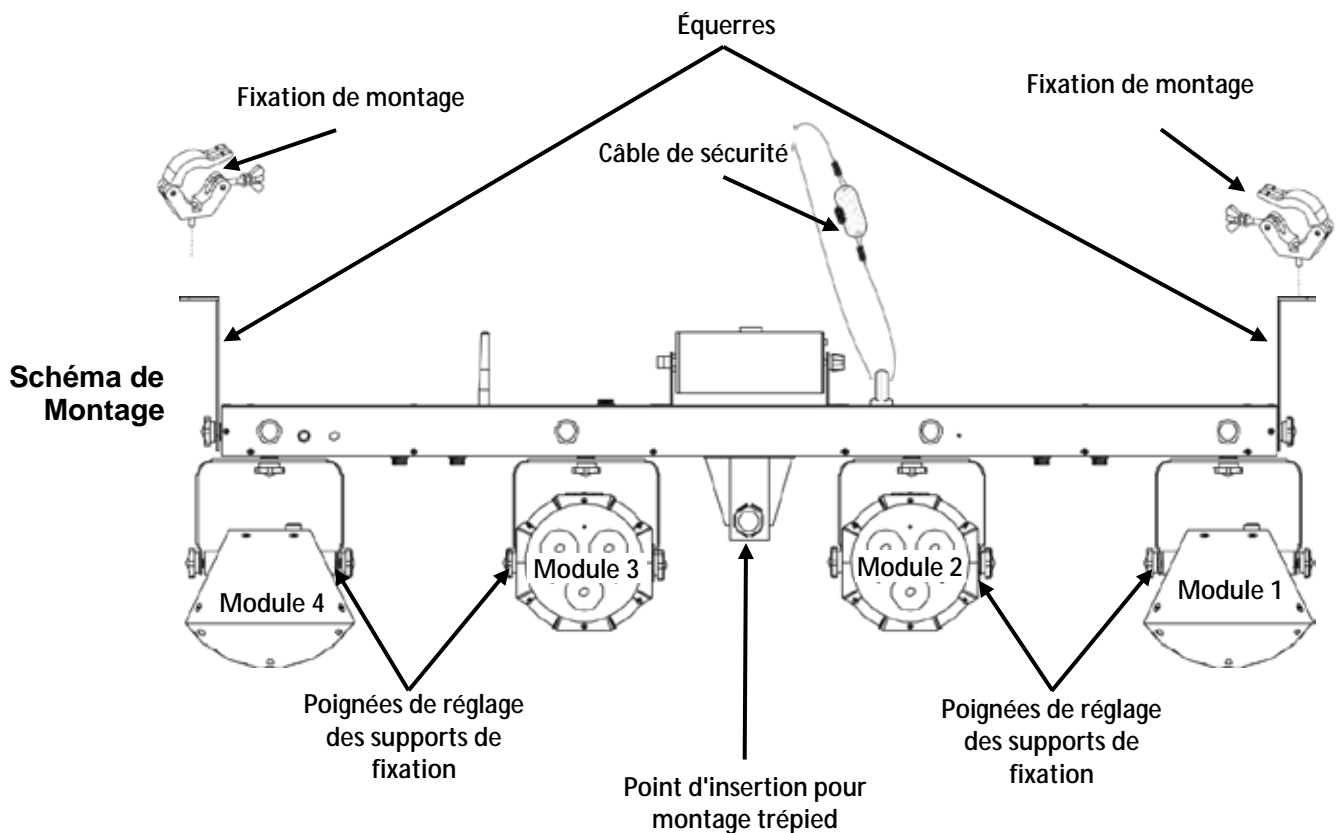
Ne pas chaîner plus de 8 appareils GigBAR 2 sur du 120 V.

Ne pas chaîner plus de 15 appareils GigBAR 2 sur du 230 V.

Installation Avant d'installer l'appareil, veuillez lire et respecter les recommandations de sécurité indiquées dans la section [Consignes de Sécurité](#).

Orientation Le GigBAR 2 doit être installé dans une position pensée pour l'utilisation sans risque du laser. Assurez-vous également que la ventilation soit suffisante autour de l'appareil.

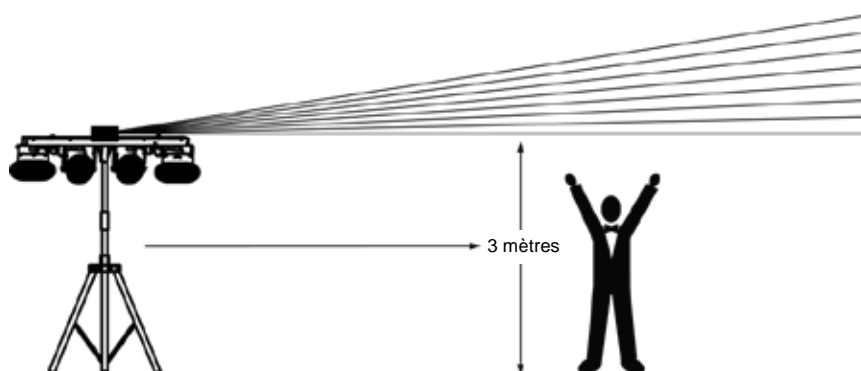
- Montage**
- Avant de choisir un emplacement pour l'appareil, assurez-vous toujours qu'il soit facile d'accéder au produit pour l'entretien et la programmation.
 - Assurez-vous que la structure ou la surface sur laquelle vous installez l'appareil peut supporter le poids de l'appareil (voir la section [Spécifications Techniques](#)).
 - En cas de montage de l'appareil en hauteur, veillez à toujours utiliser un câble de sécurité (par exemple le **CH-05** de Chauvet). Installez l'appareil de manière sécurisée à un point d'accroche, tel qu'une plateforme élevée ou une structure truss.
 - Les poignées de réglage des crochets permettent des ajustements directionnels pour diriger l'appareil vers l'angle souhaité. Les poignées de réglage doivent être serrées ou desserrées manuellement. L'utilisation d'outils peut endommager les poignées.
 - Lors de l'installation sur un trépied, assurez-vous que le pied soit correctement serré et mis au niveau.



Utilisation Appropriée

Cet appareil n'est destiné qu'aux montages en hauteur. Pour des raisons de sécurité, Chauvet recommande d'installer les appareils à effet d'éclairage sur des plates-formes élevées stables ou des supports robustes en hauteur à l'aide de fixations de suspension appropriées. Dans tous les cas, utilisez des câbles de sécurité. Vous pouvez obtenir le matériel de montage approprié auprès de votre fournisseur d'éclairages.

Les normes internationales de sécurité laser exigent que les appareils à laser soient utilisés tel qu'illustré ci-dessous, avec un minimum de 3 mètres (9,8 pieds) de séparation verticale entre le sol et la lumière laser la plus faible. De plus, une séparation horizontale de 3 mètres est requise entre la lumière laser et l'audience ou tout autre espace public.



ATTENTION ! L'utilisation de commandes, réglages ou procédures autres que CEUX spécifiés DANS CE MANUEL DE L'UTILISATEUR peut entraîner une exposition à des rayonnements dangereux.



- Chauvet recommande vivement la mise en place de sacs de sable sur la base du pied pour plus de stabilité.
- **IMPORTANT : NE PAS dépasser le cran d'arrêt imprimé sur le mât.**

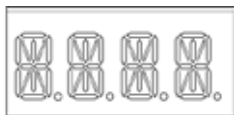


- **NE PAS trop serrer la vis de au niveau du point d'insertion du trépied sous risque de causer des dommages au mât du pied.**
- **NE PAS utiliser ce pied pour un usage non prévu.**

4. FONCTIONNEMENT

Cet appareil n'est pas conçu pour une utilisation en continue. Assurez-vous d'effectuer des pauses régulières pendant le fonctionnement afin de maximiser la durée de vie de votre laser. Toujours débrancher le GigBAR 2 lorsqu'il n'est pas utilisé.

Utilisation du panneau de commande Pour accéder aux fonctions du panneau de commande, utilisez les quatre boutons situés en dessous de l'affichage. Lorsque l'appareil est allumé, l'écran LED situé sur le panneau arrière affiche le mode de fonctionnement actuel (autonome ou DMX). L'appareil conserve les derniers réglages enregistrés lorsqu'il est éteint.



Bouton	Fonction
<MENU>	Permet de sélectionner un mode de fonctionnement ou de sortir de l'option de menu courante.
<UP>	Permet de se déplacer vers le haut dans une liste d'options ou permet de sélectionner une valeur plus haute.
<DOWN>	Permet de se déplacer vers le bas dans une liste d'options ou permet de sélectionner une valeur plus basse.
<ENTER>	Permet d'activer une option de menu ou une valeur sélectionnée.

Plan du Menu

Mode	Niveaux de Programmation		Description
Effet mélangé automatique	AM**	AM01–AM02	Permet de sélectionner le spectacle effet mélangé automatique
		F 01–F 99	Permet de sélectionner la vitesse de l'effet mélangé automatique
Effet mélangé activé par le son	SM**	SM01–SM02	Permet de sélectionner le spectacle effet mélangé activé par le son
		F 01–F 99	Permet de sélectionner la vitesse de l'effet mélangé activé par le son
Paramètres du spectacle	SHOW		Après avoir appuyé sur la touche <ENTER>, permet de sélectionner différents paramètres de spectacle, parmi lesquels il est possible de choisir le spectacle d'effets avec style mélangé ou les effets n'utilisant que les Pars.
Effet Par automatique	AP**	AP01– AP07	Permet de sélectionner le spectacle Par
		F 01–F 99	Permet de sélectionner la vitesse du spectacle Par
Effet Derby automatique	AK01	F 01–F 99	Permet de sélectionner la vitesse du spectacle automatique Derby
Effet laser automatique	AL01	F 01–F 99	Permet de sélectionner la vitesse du spectacle laser automatique
Effet stroboscope automatique	AS**	AS01–AS22	Permet de sélectionner le spectacle stroboscope automatique
		F 01–F 99	Permet de sélectionner la vitesse du spectacle stroboscope automatique
Par + Derby automatique	APK1	F 01–F 99	Permet de sélectionner la vitesse du spectacle automatique Par et Derby
Par + laser automatique	APL1	F 01–F 99	Permet de sélectionner la vitesse du spectacle automatique Par et laser
Par + stroboscope automatique	APS1	F 01–F 99	Permet de sélectionner la vitesse du spectacle automatique Par et stroboscope
Derby + laser automatique	AKL1	F 01–F 99	Permet de sélectionner la vitesse du spectacle automatique Derby et laser
Derby + stroboscope automatique	AKS1	F 01–F 99	Permet de sélectionner la vitesse du spectacle automatique Derby et stroboscope
Par + Derby + Laser	APKL	F 01–F 99	Permet de sélectionner la vitesse du spectacle Par, Derby et laser
Par + Derby + Strobe	APKS	F 01–F 99	Permet de sélectionner la vitesse du spectacle Par, Derby et stroboscope

Mode		Niveaux de Programmation		Description	
(SHOW cnt'd)	Par + Laser + Strobe	APLS	F 01–F 99	Permet de sélectionner la vitesse du spectacle Par, laser et stroboscope	
	Derby + Laser + Strobe	AKLS	F 01–F 99	Permet de sélectionner la vitesse du spectacle Derby, laser et stroboscope	
	Effet Par activé par le son	SP**	SP01–SP07	Paramètre les Pars en activation par le son	
	Effet Derby activé par le son	SK01		Permet de sélectionner la Derby lumières en activation par le son	
	Effet laser activé par le son	SL01		Permet de sélectionner la laser en activation par le son	
	Effet stroboscope activé par le son	SS**	SS01–SS22	Permet de paramétrer les stroboscopes en activation par le son et de sélectionner la vitesse de l'effet	
	Pars et Derby lumières activés par le son	SPK1		Paramètre les Pars et les Derby lumières en activation par le son	
	Pars et lasers activés par le son	SPL1		Paramètre les Pars et les lasers en activation par le son	
	Pars et stroboscopes activés par le son	SPS1		Paramètre les Pars et les stroboscopes en activation par le son	
	Derby lumières et lasers activés par le son	SKL1		Paramètre les Derby lumières et les lasers en activation par le son	
	Derby lumières et stroboscopes activés par le son	SKS1		Paramètre les Derby lumières et les stroboscopes en activation par le son	
	Par + Derby + Laser activés par le son	SPKL		Paramètre les Pars, les Derby lumières et les lasers en activation par le son	
	Par + Derby + Strobe	SPKS		Paramètre les Pars, les Derby lumières et les stroboscopes en activation par le son	
	Par + Laser + Strobe	SPLS		Paramètre les Pars, les lasers et les stroboscopes en activation par le son	
	Derby + Laser + Strobe	SKLS		Paramètre les Derby lumières, les lasers et les stroboscopes en activation par le son	
Paramètres généraux de couleurs	CoLo	R**	R000–R255	Permet de régler les valeurs de rouge à la fois pour les Pars et les Derby lumières	Remarque: Seulement 3 des 4 couleurs peuvent être utilisés en même temps.
		G**	G000–G255	Permet de régler les valeurs de vert à la fois pour les Pars et les Derby lumières	
		B**	B000–B255	Permet de régler les valeurs de bleu à la fois pour les Pars et les Derby lumières	
		U**	U000–U255	Permet de régler les valeurs de UV à la fois pour les Pars en stroboscopes	
Réglage du mode DMX	d** (d001–d512)	3 CH		Permet de sélectionner la personnalité DMX. Permet de sélectionner l'adresse DMX de démarrage. La plage DMX est restreinte par le nombre de canaux du mode DMX sélectionné.	
		11CH			
		23CH			
Réglage maître/esclave	Slav		Permet d'activer le mode esclave		
Options du système	Sys	dSET	1234	Permet de changer la disposition des modules	
		rSEt		Permet de réinitialiser aux valeurs par défaut d'usine	
		WiFi	on off	Permet d'allumer/éteindre l'antenne Wi-Fi™ pour la pédale sans fil	

Configuration (Autonome)

Permet de paramétrer l'appareil dans l'un des modes autonome pour permettre le contrôle sans contrôleur DMX. Branchez l'appareil sur une prise de courant appropriée.



Ne reliez jamais un appareil en mode autonome (automatique ou activation par le son) à une chaîne DMX comprenant un contrôleur DMX. Les appareils en mode autonome peuvent émettre des signaux DMX qui interfèrent avec les signaux DMX du contrôleur.

Mode effet Mélangé Activé par le Son

Pour activer le mode effet mélangé activé par le son (tout activé par le son), procédez comme suit :

1. Appuyez sur la touche **<MENU>** de manière répétée jusqu'à ce que l'affichage indique **SM****.
2. Appuyez sur **<ENTER>**.
3. Utilisez les touches **<UP>** ou **<DOWN>** pour sélectionner le mode d'activation par le son souhaité (**SM01** ou **SM02**).
4. Appuyez sur **<ENTER>** pour faire passer l'appareil dans le mode d'activation par le son sélectionné.
5. Utilisez les boutons **<UP>** ou **<DOWN>** pour régler la vitesse du mode de **F-01** (rapide) à **F-99** (lent).
6. Appuyez sur **<ENTER>**.
Mettez la musique en marche et réglez le bouton de sensibilité au son jusqu'à ce que l'appareil commence à réagir au rythme de la musique.



L'appareil ne réagit qu'aux basses fréquences de musiques (basses et batterie).

En mode d'activation par le son, le laser s'éteint après 3 secondes de silence ou de bruit en dessous du réglage de sensibilité.

Mode Effet Mélangé Automatique

Pour activer le mode effet mélangé automatique (tout en automatique), procédez comme suit :

1. Appuyez sur la touche **<MENU>** de manière répétée jusqu'à ce que l'affichage indique **AM****.
2. Appuyez sur **<ENTER>**.
3. Utilisez les touches **<UP>** ou **<DOWN>** pour sélectionner le mode automatique souhaité (**AM01** ou **AM02**).
4. Appuyez sur **<ENTER>**.
5. Utilisez les boutons **<UP>** ou **<DOWN>** pour régler la vitesse du mode de **F-01** (rapide) à **F-99** (lent).
6. Appuyez sur **<ENTER>**.

Paramètres du Spectacle

Pour choisir entre les spectacles d'effets avec style mélangé ou les effets n'utilisant que les Pars, suivez les instructions ci-dessous et référez-vous au [Plan du Menu](#) pour prendre connaissances des étapes de programmation :

1. Appuyez sur la touche **<MENU>** de manière répétée jusqu'à ce que l'affichage indique **SHOW**.
2. Appuyez sur **<ENTER>** pour aller au niveau de programmation suivant.
3. Utilisez les touches **<UP>** ou **<DOWN>** pour faire défiler les différentes options de spectacle auto ou activation par le son.
4. Appuyez sur **<ENTER>** pour faire passer l'appareil dans le mode sélectionné.
5. Utilisez les boutons **<UP>** ou **<DOWN>** pour régler la vitesse du mode de **F-01** (rapide) à **F-99** (lent).
6. Appuyez sur **<ENTER>**.

Mode Maître/Esclave

Le mode Maître/Esclave permet à un seul GigBAR 2 (le maître) de contrôler les actions d'un ou plusieurs appareils GigBAR 2 (les esclaves) sans contrôleur DMX. Le maître doit être réglé pour fonctionner soit en mode automatique soit en mode d'activation par le son, tandis que les esclaves doivent être paramétrés pour fonctionner en mode esclave. Une fois paramétrés et connectés, les unités esclaves fonctionnent à l'unisson avec le maître.

Configurez les appareils comme indiqué ci-dessous :

Pour chaque esclave :

1. Appuyez sur la touche **<MENU>** de manière répétée jusqu'à ce que l'affichage indique **Slav**.
2. Appuyez sur **<ENTER>** pour faire passer l'appareil en mode esclave. L'affichage continue à clignoter.
3. Répétez les étapes 1 et 2 pour chaque appareil .
4. Connectez la sortie DMX de la première unité esclave à l'entrée DMX de l'unité esclave suivante.
5. Connectez l'entrée DMX de chaque unité esclave suivante à la sortie DMX de l'unité esclave précédente.



- **Configurez toutes les unités esclaves avant de connecter le maître à la chaîne DMX en guirlande.**
- **L'affichage des esclaves continuera à clignoter jusqu'à la réception d'un signal DMX de la part du maître.**

Pour le maître :

1. Connectez la sortie DMX du maître à l'entrée DMX de la première unité esclave.
2. Paramétrez l'unité maître en mode automatique ou en mode d'activation par le son.



- **Assurez-vous que le maître soit la première unité dans la chaîne DMX.**
- **Ne jamais connecter un contrôleur DMX à une chaîne DMX configurée pour le fonctionnement en maître/esclave car le contrôleur peut rentrer en interférence avec les signaux du maître.**
- **Ne pas connecter plus de 31 esclaves au maître.**

Configuration (DMX)

Paramétrez l'appareil en mode DMX pour pouvoir le contrôler avec un contrôleur DMX. L'appareil utilise un câble DMX à 3 broches.

1. Branchez l'appareil sur une prise de courant appropriée.
2. Connectez un câble DMX depuis la sortie DMX du contrôleur DMX à l'entrée DMX de l'appareil.

Personnalité DMX et Adresse DMX de Départ

Lors de la sélection d'une adresse DMX de départ, veillez à toujours prendre en compte le nombre de canaux DMX utilisés par l'appareil. Si vous choisissez une adresse de départ trop élevée, vous pouvez restreindre l'accès à certains des canaux de l'appareil.

Le GigBAR 2 utilise des personnalités DMX avec 3, 11 et 23 canaux, ce qui signifie que l'adresse DMX la plus élevée que vous pouvez utiliser est **490**.

Si vous n'êtes pas familier avec le protocole DMX, vous pouvez télécharger l'introduction au DMX à l'adresse http://www.chauvetlighting.com/downloads/DMX_Primer_Rev6_WO.pdf.

Pour sélectionner la personnalité DMX et l'adresse DMX de départ, effectuez les actions suivantes :

1. Appuyez sur la touche **<MENU>** de manière répétée jusqu'à ce que la personnalité DMX souhaitée (**3 CH**, **11CH**, ou **23CH**) clignote sur l'écran.
2. Appuyez sur **<ENTER>**, l'inscription **d**** clignote sur l'écran.
3. Utilisez les touches **<UP>** ou **<DOWN>** pour sélectionner l'adresse de départ
23CH (de **d001** à **d490**)
11CH (de **d001** à **d502**)
3-CH (de **d001** à **d510**)
4. Appuyez sur **<ENTER>** pour faire passer l'appareil en mode DMX. L'affichage continue à clignoter.

Réglage de Couleur Personnalisé

Pour paramétrer le Par et le Derby avec une couleur personnalisée, effectuez les actions suivantes :

1. Appuyez sur la touche **<MENU>** de manière répétée jusqu'à ce que l'affichage indique **CoLo**.
2. Appuyez sur **<ENTER>**.
3. Utilisez les touches **<UP>** ou **<DOWN>** pour faire vous déplacer parmi les choix **R**** (rouge), **G**** (vert), **B**** (bleu) ou **UV****.
4. Appuyez sur **<ENTER>** pour sélectionner la couleur.
5. Utilisez les touches **<UP>** ou **<DOWN>** pour régler la saturation de la couleur (**X000–X255**).
6. Appuyez sur **<ENTER>**.
7. Répétez les étapes 3 à 5 pour chaque couleur.



Remarque: Seulement 3 des 4 couleurs peuvent être utilisés en même temps.

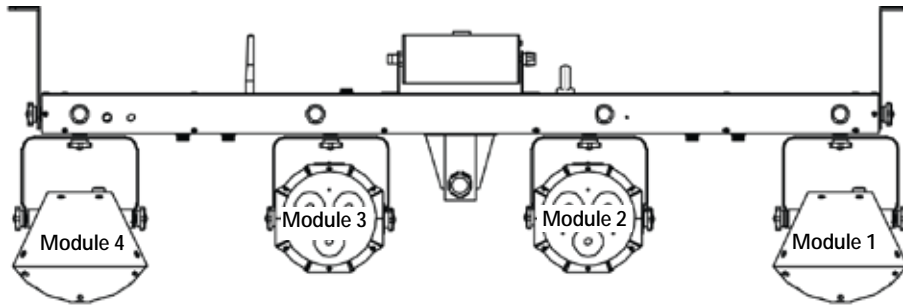
Paramètres système

Pour restaurer les paramètres d'usine par défaut, ou pour modifier les paramètres de module, suivez les instructions ci-dessous.

1. Appuyez sur la touche **<MENU>** de manière répétée jusqu'à ce que l'affichage indique **Sys**.
2. Appuyez sur **<ENTER>**.
3. Utilisez les touches **<UP>** ou **<DOWN>** pour sélectionner l'option **rSEt** (paramètres d'usine par défaut) ou **dSEt** (modification de la disposition des modules).
4. Appuyez sur **<ENTER>** pour sélectionner le paramètre système souhaité.

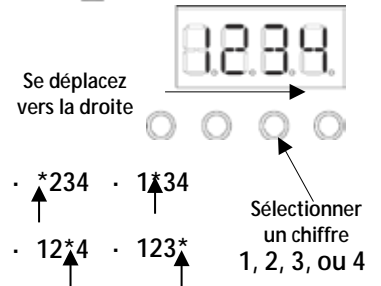
Si l'option **rSEt** est sélectionnée, le GigBAR 2 est restauré aux paramètres d'usines par défaut.

Disposition par Défaut des Modules

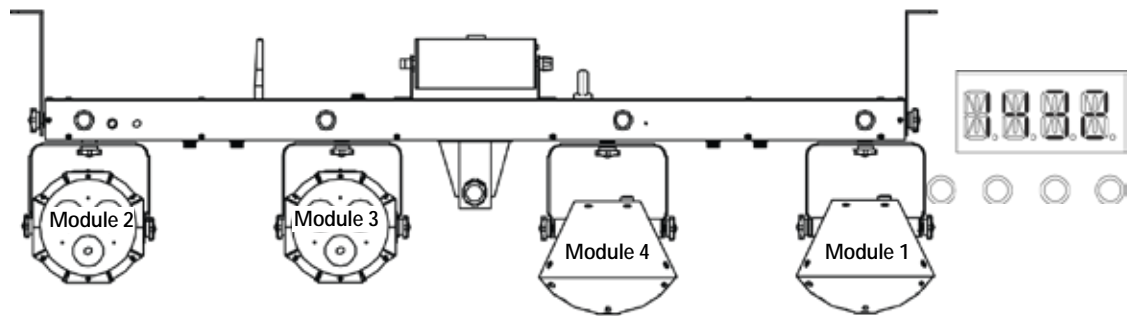


Si l'option **dSEt** est sélectionnée, vous pouvez changer l'ordre des modules en suivant les étapes et les exemples ci-dessous :

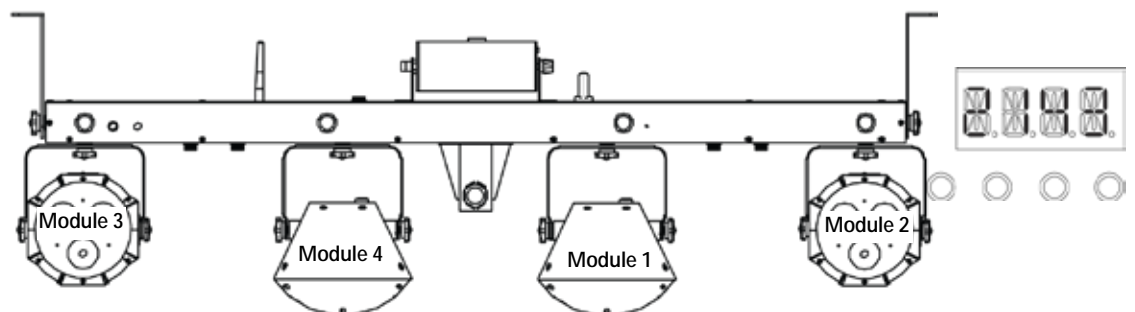
- Utilisez la touche **<UP>** pour vous déplacer vers la droite sur l'affichage.
- Utilisez la touche **<DOWN>** pour changer la valeur numérique (1, 2, 3 ou 4).
- Appuyez sur **<ENTER>** pour confirmer.
- Répétez ces étapes jusqu'à ce que les 4 modules soit disposés comme souhaité.



Des Exemples de Modification de l'Ordre des Modules



Exemple 1



Exemple 2

Affectation de Canaux DMX et Valeurs

23CH	Canal	Fonction	Valeur	Paramétrage			
23CH	1	Contrôle du Par 1	000 ó 255	Rouge 0 à 100%	Remarque: Seulement 3 des 4 couleurs peuvent être utilisés en même temps.		
	2		000 ó 255	Vert 0 à 100%			
	3		000 ó 255	Bleu 0 à 100%			
	4		000 ó 255	UV 0 à 100%			
	5				000 ó 127	RGB, basé sur les canaux 1, 2 et 3	
					128 ó 239	Vitesse du stroboscope, lent à rapide	
					240 ó 249	Clignotement du stroboscope en fonction du son	
					250 ó 255	RGB 100%	
	23CH		6	Contrôle du Par 2	000 ó 255	Rouge 0 à 100%	Remarque: Seulement 3 des 4 couleurs peuvent être utilisés en même temps.
			7		000 ó 255	Vert 0 à 100%	
8		000 ó 255	Bleu 0 à 100%				
9		000 ó 255	UV 0 à 100%				
10					000 ó 127	RGB, basé sur les canaux 6, 7 et 8	
					128 ó 239	Vitesse du stroboscope, lent à rapide	
					240 ó 249	Clignotement du stroboscope en fonction du son	
					250 ó 255	RGB 100%	
23CH	11	Contrôle du Derby 1	000 ó 024	Noir Général			
			025 ó 049	Rouge			
			050 ó 074	Vert			
			075 ó 099	Bleu			
			100 ó 124	Rouge + vert			
			125 ó 149	Rouge + bleu			
			150 ó 174	Vert + bleu			
			175 ó 199	Rouge + vert + bleu			
			200 ó 224	Automatique (couleur unique seulement)			
			225 ó 255	Automatique (deux couleurs à la fois)			
23CH	12	Fréquence de Clignotement Stroboscope du Derby 1	000 ó 009	Pas de fonction			
			010 ó 239	Stroboscope, 0 à 30 Hz			
			240 ó 255	Stroboscope en fonction du son			
23CH	13	Rotation du Derby 1	000 ó 004	Stop			
			005 ó 127	Rotation horaire, lent à rapide			
			128 ó 133	Stop			
			134 ó 255	Rotation antihoraire, lent à rapide			

23CH	Canal	Fonction	Valeur	Paramétrage
14		Contrôle de la Couleur du Derby 2	000 ó 024	Noir Général
			025 ó 049	Rouge
			050 ó 074	Vert
			075 ó 099	Bleu
			100 ó 124	Rouge + vert
			125 ó 149	Rouge + bleu
			150 ó 174	Vert + bleu
			175 ó 199	Rouge + vert + bleu
			200 ó 224	Automatique (couleur unique seulement)
			225 ó 255	Automatique (deux couleurs à la fois)
15		Fréquence de Clignotement Stroboscope du Derby 1	000 ó 009	Pas de fonction
			010 ó 239	Stroboscope, 0 à 30 Hz
			240 ó 255	Stroboscope en fonction du son
16		Rotation du Derby 2	000 ó 004	Stop
			005 ó 127	Rotation horaire, lent à rapide
			128 ó 133	Stop
			134 ó 255	Rotation antihoraire, lent à rapide
17		Couleur du Laser	000 ó 039	Noir Général
			040 ó 079	Rouge activé
			080 ó 119	Vert activé
			120 ó 159	Rouge + vert activés
			160 ó 199	Rouge activé + vert Stroboscope
			200 ó 239	Vert activé + stroboscope rouge
			240 ó 255	Rouge + vert (stroboscope alterné)
18		Stroboscope Laser	000 ó 009	Pas de fonction
			010 ó 239	Stroboscope, lent à rapide
			240 ó 255	Stroboscope en fonction du son
19		Motif Laser	000 ó 004	Stop
			005 ó 127	Rotation horaire, lent à rapide
			128 ó 133	Stop
			134 ó 255	Rotation antihoraire, lent à rapide

23CH	Canal	Fonction	Valeur	Paramétrage
20		Motifs Stroboscope	000 ó 009	Noir Général
			010 ó 019	Blanc Programme automatique 1
			020 ó 029	Blanc Programme automatique 2
			030 ó 039	Blanc Programme automatique 3
			040 ó 049	Blanc Programme automatique 4
			050 ó 059	Blanc Programme automatique 5
			060 ó 069	Blanc Programme automatique 6
			070 ó 079	Blanc Programme automatique 7
			080 ó 089	Blanc Programme automatique 8
			090 ó 099	Blanc Programme automatique 9
			100 ó 109	Blanc Stroboscope, lent à rapide
			110 ó 119	UV Programme automatique 1
			120 ó 129	UV Programme automatique 2
			130 ó 139	UV Programme automatique 3
			140 ó 149	UV Programme automatique 4
			150 ó 159	UV Programme automatique 5
			160 ó 169	UV Programme automatique 6
			170 ó 179	UV Programme automatique 7
			180 ó 189	UV Programme automatique 8
			190 ó 199	UV Programme automatique 9
			200 ó 209	UV Stroboscope, lent à rapide
			210 ó 229	UV Stroboscope en fonction du son
			230 ó 255	Blanc Stroboscope en fonction du son
21	Assombrissement Stroboscope (Blanc)	000 ó 255	0 à 100%	Remarque: Les canaux 21 et 22 ne peuvent pas être utilisés en même temps
22	Assombrissement Stroboscope (UV)	000 ó 255	0 à 100%	
23	Vitesse du Stroboscope	000 ó 255	Lent à rapide	

11CH	Canal	Fonction	Valeur	Paramétrage	
	1	Couleur des Pars et des Derby lumières	000 ó 255	Rouge 0 à 100%	Remarque: Seulement 3 des 4 couleurs peuvent être utilisés en même temps.
	2		000 ó 255	Vert 0 à 100%	
	3		000 ó 255	Bleu 0 à 100%	
	4		000 ó 255	UV 0 à 100%	
	5	Contrôles du Stroboscope des Pars et des Derby lumières	000 ó 127	Tous 0 à 100%	
			128 ó 239	Vitesse du stroboscope	
			240 ó 249	Stroboscope activé par le son	
			250 ó 255	Tous activé	
	6	Rotation du Moteur du Derby	000 ó 004	Stop	
			005 ó 127	Rotation horaire, lent à rapide	
			128 ó 133	Stop	
			134 ó 255	Rotation antihoraire, lent à rapide	
	7	Contrôles du Laser Rouge	000 ó 004	Laser rouge éteint	
			005 ó 054	Laser rouge allumé	
			055 ó 255	Vitesse de stroboscope du laser rouge, lent à rapide	
	8	Contrôles du Laser Vert	000 ó 004	Laser vert éteint	
			005 ó 054	Laser vert allumé	
			055 ó 255	Vitesse de stroboscope du laser vert, lent à rapide	
	9	Vitesse de Déplacement du Laser	000 ó 004	Pas de déplacement	
			005 ó 127	Rotation horaire, lent à rapide	
			128 ó 133	Stop-motion	
			134 ó 255	Rotation antihoraire, lent à rapide	
	10	Vitesse du Stroboscope Blanc	000 ó 054	Assombrissement du stroboscope blanc, 0 à 100%	Remarque: Les canaux 10 et 11 ne peuvent pas être utilisés en même temps
			055 ó 255	Vitesse du stroboscope blanc, lent à rapide	
	11	Vitesse du Stroboscope UV	000 ó 054	Assombrissement du stroboscope UV, 0 à 100%	
			055 ó 255	Vitesse du stroboscope UV, lent à rapide	

3 CH	Canal	Fonction	Valeur	Paramétrage
1		Fonctionnement LED	000 ó 009	Pas de fonction
			010 ó 119	Mode mélangé automatique, rapide à lent
			120 ó 229	Mode 2 mélangé automatique, rapide à lent
			230 ó 234	Mode mélangé activé par le son
			235 ó 239	Mode 2 mélangé activé par le son
			240 ó 255	Paramètre de spectacle, lorsque les canaux 2 et 3 sont activés
2		Fonctionnement	000 ó 009	Noir Général
			010 ó 019	UNIQUEMENT les Pars allumés, effectue le spectacle uniquement avec les Pars
			020 ó 029	UNIQUEMENT les Derby lumières allumés
			030 ó 039	UNIQUEMENT le laser allumé
			040 ó 049	UNIQUEMENT les stroboscopes allumés, effectue le spectacle uniquement avec les stroboscopes
			050 ó 059	UNIQUEMENT les Pars et Derby lumières automatiques
			060 ó 069	UNIQUEMENT les Pars et le laser automatiques
			070 ó 079	UNIQUEMENT les Pars et les stroboscopes automatiques
			080 ó 089	UNIQUEMENT les Derby lumières et le laser automatiques
			090 ó 099	UNIQUEMENT les stroboscopes et les Derby lumières automatiques
			100 ó 109	Pars, Derby lumières et laser
			110 ó 119	Pars, Derby lumières et stroboscopes
			120 ó 129	Pars, laser et stroboscopes
			130 ó 139	Derby lumières, laser et stroboscopes
			140 ó 149	Effet Par activé par le son
			150 ó 159	Effet Derby activé par le son
			160 ó 169	Effet laser activé par le son
			170 ó 179	Effet stroboscope activé par le son
			180 ó 189	Pars et Derby lumières activés par le son
			190 ó 199	Pars et lasers activés par le son
			200 ó 209	Pars et stroboscopes activés par le son
			210 ó 219	Derby lumières et lasers activés par le son
			220 ó 229	Derby lumières et stroboscopes activés par le son
			230 ó 239	Pars, Derby lumières et laser activés par le son
			240 ó 244	Pars, Derby lumières et stroboscopes activés par le son
245 ó 249	Pars, laser et stroboscopes activés par le son			
250 ó 255	Derby lumières, laser et stroboscopes activés par le son			
3		Vitesse Auto	000 ó 255	Vitesse, lorsque 050–099 dans le canal 2

Fonctionnement avec l'IRC-6 (Télécommande par infrarouge 6)

Remarque : Assurez-vous de pointer la télécommande directement vers le récepteur sur l'appareil.



Mode Automatique

Le mode automatique vous permet de lancer les programmes automatiques sur l'appareil.

Pour activer le mode automatique :

- Appuyez en laissant enfoncé la touche **<AUTO>** sur l'IRC-6.
- Appuyez sur n'importe quel chiffre entre **<0>** et **<9>** pour choisir votre programme automatique.
- Appuyez sur **<+>** ou **<->** pour augmenter ou diminuer la vitesse du programme.

Mode d'Activation par le Son

Le mode d'activation par le son permet à l'appareil de réagir à la musique.

Pour activer le mode d'activation par le son :

- Appuyez en laissant enfoncé la touche **<SOUND>** sur l'IRC-6.
- Appuyez sur n'importe quel chiffre entre **<0>** et **<9>** pour choisir votre programme automatique.

Modes Stroboscope

Pour régler le programme et la cadence du stroboscope :

- Appuyez en laissant enfoncé la touche **<STROBE>** sur l'IRC-6.
- Appuyez sur **<0>** pour activer tous les stroboscopes ou sur n'importe quel chiffre entre **<0>** et **<9>** pour choisir votre programme automatique.
- Appuyez sur les touches **<+>** ou **<->** pour augmenter ou diminuer la cadence du stroboscope.
- Appuyez sur la touche **<STROBE>** à nouveau pour l'allumer.

Modes de programme défini

Bouton	Mode Automatique	Mode d'Activation par le Son	Modes Stroboscope
<0>	AM01	SM01	Tous strobe Blanc
<1>	AP01	SP01	Strobe Blanc 1
<2>	AP02	SP02	Strobe Blanc 2
<3>	AK01	SK01	Strobe Blanc 3
<4>	AL01	SL01	Strobe Blanc 4
<5>	APK1	SPK1	Strobe Blanc 5
<6>	APL1	SPL1	Strobe UV 1
<7>	AKL1	SKL1	Strobe UV 2
<8>	APKL	SPKL	Strobe UV 3
<9>	AKLS	SKLS	Strobe UV 4

Opérations Diverses

Pour régler la vitesse de fondu de la sortie couleur des Pars et des Derby lumières:

- Appuyez en laissant enfoncé la touche **<FADE>** sur l'IRC-6.
- Appuyez sur les touches **<+>** ou **<->** pour augmenter ou diminuer la vitesse de fondu.

Pour régler la luminosité de la couleur ou du stroboscope :

- Appuyez sur la touche **<%>** sur la télécommande IRC-6.

1 Appui	2 Appuis	3 Appuis	4 Appuis	5 Appuis
100%	75%	50%	25%	0%

Pour éteindre les lumières :

- Appuyez sur la touche **<BLACK OUT>** sur la télécommande IRC-6. Cela désactive toutes les lumières jusqu'à ce que le bouton soit pressé de nouveau.

Fonctionnement avec la Pédale

La pédale sans fil incluse permet un accès rapide aux couleurs prédéfinies, aux programmes de changement de couleurs et à l'activation par le son grâce au microphone du GigBAR 2.

Pour utiliser la pédale :

1. Mettez le GigBAR 2 sous tension.
2. Relevez les antennes sans fil situées sur le GigBAR 2 et la pédale.
3. Appuyez sur pedal #1 (Auto) pour activer les contrôles de programme automatique. Si tout se passe bien, toutes les lumières démarrent en mode automatique (**AM01**).
4. Utilisez le tableau ci-dessous pour activer la fonction souhaitée.



Pédale	Sous-option	Fonction
1 (Auto)	1 appui	Pars, Derby lumières , laser et stroboscopes en mode automatique (AM01)
	2 appuis	AP01
	3 appuis	AP02
	4 appuis	AK01
	5 appuis	AL01
	6 appuis	APK1
	7 appuis	APL1
	8 appuis	AKL1
	9 appuis	APKL
	10 appuis	AKLS
2 (Activation par le Son)	1 appui	Pars, Derby lumières , laser et stroboscopes en mode d'activation par le son (SM01)
	2 appuis	SP01
	3 appuis	SP02
	4 appuis	SK01
	5 appuis	SL01
	6 appuis	SPK1
	7 appuis	SPL1
	8 appuis	SKL1
	9 appuis	SPKL
	10 appuis	SKLS
3 (Couleur)	1 appui	Rouge sans laser, pas de stroboscope
	2 appuis	Vert sans laser, pas de stroboscope
	3 appuis	Bleu sans laser, pas de stroboscope
	4 appuis	UV sans laser, pas de stroboscope
	5 appuis	Jaune sans laser, pas de stroboscope
	6 appuis	Rose sans laser, pas de stroboscope
	7 appuis	Cyan sans laser, pas de stroboscope
	8 appuis	Rose foncé sans laser, pas de stroboscope
	9 appuis	Cyan foncé sans laser, pas de stroboscope
	10 appuis	Blanc sans laser, pas de stroboscope
4 (Noir Général)	N/A	Permet d' éteindre immédiatement tous les accessoire lumineux

Voir [Plan du Menu](#) pour la description

Voir [Plan du Menu](#) pour la description



La pédale GigBAR 2 fonctionne correctement dans n'importe quel mode, avec une distance sans obstacle maximale de 30,5 m (100 pi). Vous devez éteindre le Wi-Fi™ sur le GigBAR 2 avant d'utiliser la pédale.

**Batterie de la
pédale**
**Remplacement
de la batterie**

La pédale sans fil utilise une batterie de 12 volts située en dessous du couvercle de batterie sur la base de l'appareil et qui peut être remplacée si nécessaire.

Pour remplacer la batterie de la pédale sans fil :

1. Mettez l'interrupteur sur la position arrêt (Off).
2. Enlevez le couvercle de la batterie en enlevant les deux vis avec un tournevis à tête cruciforme.
3. Retirez l'ancienne batterie de son logement et débranchez-la de ses broches de connexion.
4. Remplacez avec une batterie de 12V en vous assurant que les broches de connexion positive (+) et négative (-) correspondent aux bonnes électrodes sur la batterie.
5. Placez la batterie dans son logement et refermez avec le couvercle de batterie.
6. Fixez le couvercle de la batterie avec les deux vis cruciformes.



Ne PAS trop serrer les vis !

5. INFORMATIONS TECHNIQUES

**Entretien de
l'Appareil**

L'accumulation de poussière réduit la sortie de lumière et peut entraîner une surchauffe de l'appareil. Pour conserver des performances optimales, nettoyez l'appareil au moins deux fois par mois. Cependant, l'utilisation et les conditions environnementales contribuent à augmenter la fréquence de nettoyage.

Pour nettoyer l'appareil, suivez les instructions ci-dessous :

1. Débranchez l'appareil.
2. Attendez que l'appareil soit à la température ambiante.
3. Utilisez un aspirateur (ou un compresseur d'air) et une brosse douce pour enlever la poussière accumulée sur les surfaces/ventilations externes.
4. Nettoyez le panneau transparent (ouverture du laser) avec une solution douce de nettoyant pour vitres sans ammoniac ou de l'alcool isopropylique.
5. Appliquez la solution directement sur un chiffon de coton doux et non pelucheux ou un tissu de nettoyage d'objectif.
6. Essuyez soigneusement toute trace de saleté ou d'encrassement sur les bords extérieurs de la vitre.
7. Nettoyez en douceur la surface transparente jusqu'à ce que toute peluche ou trace ait disparue.



Assurez-vous de bien sécher toutes les surfaces optiques après les avoir nettoyées.



Ne faites pas tourner le ventilateur de refroidissement à l'aide d'air comprimé sous risque de l'endommager.

6. SPÉCIFICATIONS TECHNIQUES

Dimensions et Poids

GigBAR 2	Longueur	Largeur	Hauteur	Poids
	1 185 mm (46,7 in)	110 mm (4,3 in)	387 mm (15,2 in)	6,6 kg (14,4 lb)
Trépied	Hauteur minimale	Hauteur maximale	Largeur de branche (encombrement)	Dimensions
	1,5 m (4,8 ft)	2,5 m (8,3 ft)	1,2 m (3,9 ft)	37,4 mm (1,5 in)

Remarque : Les dimensions en pouce sont arrondies à la décimale la plus proche.

Alimentation en Courant	Tension d'entrée	Plage	Sélection de tension
	Commutation (interne)	Entre 100 et 240 VCA, 50/60 Hz	Universelle
	Paramètre	120 V, 60 Hz	230 V, 50 Hz
	Consommation	68 W	64 W
	Courant de fonctionnement	1 A	0,5 A
	Courant de chaînage électrique (unités)	10,4 A (8 unités)	10,4 A (15 unités)
	Fusible	T 1.6 A, 250 V	T 1.6 A, 250 V
	E/S alimentation	US / Monde	UK / Europe
	Connecteur d'entrée d'alimentation	IEC	IEC
	Connecteur de sortie d'alimentation	Edison	IEC
	Prise du cordon d'alimentation	Edison (US)	Prise locale

Source Lumineuse

Laser	Type	Alimentation en courant	Longueur d'onde
	Laser (vert)	30 mW	532 nm
	Laser (rouge)	100 mW	650 nm

LED

Derby lumières	Type	Alimentation en courant	Durée de vie
	LED	6 W	50 000 heures
	Couleur	Quantité	Courant
	Rouge	2	1.7 A
	Vert	2	1.7 A
	Bleu	2	1.7 A

Pars

	Type	Alimentation en courant	Durée de vie
	LED	2,5 W	50 000 heures
	Couleur	Quantité	Courant
	Quadcolore RGB+UV	6	1.1 A

Stroboscopes

	Type	Alimentation en courant	Durée de vie
	LED	1.8 W	50 000 heures
	Couleur	Quantité	Courant
	White (blanc) + UV	4	600 mA

Photométrie	Paramètre	Valeur	
	Angle de couverture (laser)	93°	
	Angle de couverture (Derby)	114°	
	Angle de champs (stroboscope)	18°	
	Angle de champs (Pars)	24°	
	Angle de faisceau (stroboscope)	8°	
	Angle de faisceau (Pars)	13°	
	Fréquence de stroboscope	0 à -18 Hz	
Thermique	Température externe maximum du laser	Système de refroidissement	
	35 °C (95 °F)	Refroidissement par ventilateur et convection	
Pédale	Fréquence de fonctionnement	Distance maximale (sans obstacle)	Alimentation
	433 MHz	30,5 m (100 pi)	12 V, 23 A Batterie
DMX	Connecteurs E/S	Type de connecteur	Plage de canaux
	Prise XLR à trois broches	Prises	3,11 ou 23
Commande	Nom du produit	Code de l'article	Code UPC
	GigBAR20	10051204	781462215521



RENOIS

Dans le cas où vous avez besoin d'aide ou pour retourner un produit :

- Si vous résidez aux États-Unis, contactez le siège mondial de Chauvet.
- Si vous vivez au Mexique, contactez CHAUVET Mexico.
- Si vous résidez n'importe où ailleurs, NE contactez pas Chauvet. Contactez votre revendeur. Rendez-vous sur www.chauvetlighting.com pour découvrir la liste des revendeurs en dehors des États-Unis et du Mexique.



Si vous résidez en dehors des États-Unis ou du Mexique, contactez votre revendeur et suivez leurs instructions quant à la procédure à suivre pour renvoyer votre appareil. Consultez notre site Web à l'adresse www.chauvetlighting.com pour trouver leurs coordonnées.

Téléphonez au centre d'assistance technique de Chauvet correspondant et demandez un numéro d'autorisation de retour (NAR) avant de nous réexpédier l'appareil. Pour l'obtenir, il vous sera demandé de fournir le numéro du modèle, le numéro de série ainsi qu'une brève description de l'objet du retour.

Vous devez nous retourner la marchandise en port prépayé, dans ses boîte et emballage d'origine et avec tous ses accessoires. Chauvet ne délivrera pas d'étiquettes de renvoi.

Indiquez lisiblement le NAR sur une étiquette apposée sur le colis. Chauvet refusera la réception de tout appareil pour lequel aucun NAR n'a été demandé.



Inscrivez le NAR sur une étiquette convenablement collée. N'écrivez PAS le NAR directement sur le colis.

Avant de nous retourner le colis, inscrivez les informations suivantes, de manière lisible, sur une feuille de papier, que vous placerez à l'intérieur du colis:

- Votre nom
- Votre adresse
- Votre numéro de téléphone
- Le numéro de NAR
- Une courte description du problème

Veillez à emballer l'appareil de manière adéquate. Vous serez tenu responsable de tout dommage survenant lors de l'expédition de retour dû à un emballage inadéquat. Nous vous recommandons d'utiliser un emballage double ou celui de FedEx.



Chauvet se réserve le droit, à sa convenance, de réparer ou remplacer tout appareil qui lui est retourné.

1. ERSTE SCHRITTE

- Packungsinhalt**
- GigBAR 2
 - Netzkabel
 - 2 Befestigungswinkel
 - Drahtloser Fußschalter mit Batterie
 - VIP Gear Bag
 - Verriegelungsschlüssel
 - Remoter Verriegelungsstecker
 - Stativ
 - Stativtragetasche
 - Garantiekarte
 - Bedienungsanleitung

Beschreibung Mit dem GigBAR 2 erhalten Sie das ultimative All-in-One-System mit 2 rotierenden Derby-Effekten mit RGB-LEDs, 2 leistungsstarke quadfarbige LED-Kannen, einem grünen Laser-Gerät und ein weißer/UV Stroboskopeffekt mit mehreren Ausgängen. Er erlaubt eine einfache separate Steuerung der Farben und Programme für jeden der einzeln einstellbaren Köpfe. Fernbedienung IRC-6 ist separat erhältlich.




Schadensmeldung Wenn die Verpackung oder die in der Verpackung befindlichen Teile (Gerät und Zubehör) beschädigt sind oder Mängel durch nicht einwandfreie Behandlung aufweisen, benachrichtigen Sie umgehend das Transportunternehmen, nicht jedoch Chauvet. Eine nicht zeitnah erfolgte Benachrichtigung kann dazu führen, dass Sie Ihren Gewährleistungsanspruch gegenüber dem Transportunternehmen verlieren. Bewahren Sie überdies die Verpackung für eine spätere Überprüfung auf.

Bei anderen Problemen wie etwa fehlende Komponenten oder Teile, Schäden, die nicht durch den Transport entstanden sind, oder nicht offensichtliche Schäden, machen Sie Ihren Anspruch gegenüber Chauvet innerhalb von 7 Tagen ab Lieferung der Waren geltend.

**Konventionen
des
Handbuchs**

Konvention	Bedeutung
1-512	Eine Bandbreite an Werten
50/60	Ein Wertesatz, aus dem nur ein Wert ausgewählt werden kann
Einstellungen	Eine Menüoption, die nicht geändert werden kann
Menu > Settings	Eine Sequenz von Menüoptionen, die befolgt werden muss
<ENTER>	Eine zu betätigende Taste auf dem Bedienfeld des Geräts
EIN	Ein Wert, der eingegeben oder ausgewählt werden muss

Symbole

Symbol	Bedeutung
	Wichtige Informationen zur Installation, Konfiguration und zum Betrieb. Bei Nichtbeachtung dieser Informationen kann es zu Fehlfunktionen oder Beschädigungen des Geräts oder zu Verletzungen des Bedieners kommen.
	Wichtige Informationen zur Installation oder Konfiguration. Wenn diese Informationen nicht beachtet werden, kann es zu Fehlfunktionen kommen.
	Nützliche Informationen

Haftungsaus- schluss

Chauvet geht davon aus, dass alle in diesem Handbuch enthaltenen Informationen in jeder Hinsicht sorgfältig und genau sind. Chauvet übernimmt jedoch keine Haftung und schließt speziell jegliche Verantwortung gegenüber Dritten für Verluste, Schäden oder Störungen aus, die durch Fehler oder Auslassungen in diesem Dokument entstanden sind, unabhängig davon, ob sich diese Fehler oder Auslassungen aus einer Nachlässigkeit, einem Versehen oder aus anderen Gründen ergeben haben. Chauvet behält sich das Recht vor, den Inhalt dieses Dokuments zu ändern, ohne Verpflichtung, andere Personen oder Unternehmen von dieser Überarbeitung in Kenntnis zu setzen, Chauvet ist jedoch nicht verpflichtet, solche Überarbeitungen vorzunehmen und verpflichtet sich auch nicht, dies zu tun. Laden Sie die jeweils aktuelle Version unter www.chauvetlighting.com herunter.

Die in diesem Handbuch enthaltenen urheberrechtlich geschützten Arbeiten, einschließlich, aber nicht beschränkt darauf, aller Zeichnungen, Texte und Bilder, sind das Eigentum von Chauvet.

© Copyright 2016 Chauvet & Sons, LLC. Alle Rechte vorbehalten.

Durch Chauvet elektronisch in den Vereinigten Staaten veröffentlicht.

CHAUVET, das Chauvet Firmenlogo und der "GigBAR 2" sind eingetragene Marken oder Warenzeichen von Chauvet & Sons LLC. (d/b/a Chauvet und Chauvet Lighting) in den Vereinigten Staaten und in anderen Ländern. Andere Unternehmens- und Produktnamen, auf die hier Bezug genommen wird, können Warenzeichen der jeweiligen Unternehmen sein.

Sicherheits- hinweise

Diese Anleitung enthält wichtige Sicherheits- und Betriebshinweise über das Lasersystem. Alle Anweisungen vor der ersten Inbetriebnahme lesen und verstehen, um Augenverletzungen und Verstöße gegen Gesetze zu vermeiden. Die Kenntnis der Sicherheitshinweise ist wichtig, um Augenverletzungen durch Laserstrahlen und Gesetzesverstöße zu vermeiden. Bitte heben Sie diese Bedienungsanleitung zur späteren Einsicht an einem sicheren Ort auf.



LESEN SIE HIER WICHTIGE INFORMATIONEN ÜBER DIE SICHERHEIT VON



- Laserstrahlen sind gefährlich und bedürfen besonderer Sicherheitsvorkehrungen. Bei falschem Gebrauch kann Blindheit und dauerhafter Augenschaden die Folge sein. Bitte beachten Sie ALLE Sicherheitshinweise und Warnungen in dieser Anleitung. Alle Anweisungen genau durchlesen, BEVOR Sie das Gerät in Betrieb nehmen.
- Schließen Sie dieses Gerät immer an die Masse an, um die Gefahr elektrischer Schläge zu reduzieren.
- Trennen Sie das Gerät von der Stromquelle, bevor Sie es reinigen.
- Bei eingeschaltetem Gerät direkten Augenkontakt mit der Lichtquelle vermeiden.
- Stellen Sie sicher, dass das Netzkabel nicht gequetscht oder beschädigt ist.
- Ziehen Sie beim Trennen des Geräts von der Stromversorgung nie am Kabel.
- Verwenden Sie für die Montage der Effektgeräte über Kopf immer ordnungsgemäße Sicherheitskabel.
- Stellen Sie sicher, dass das Gerät mit einem Sicherheitsabstand zu entzündlichen Materialien betrieben wird.
- Niemals während des Betriebs das Gehäuse berühren, da dies sehr heiß wird.



- Dieses Produkt eignet sich nicht für eine permanente Installation.
- Die Spannung der Schukosteckdose, an die Sie das Gerät anschließen, muss sich innerhalb des Spannungsbereiches befinden, der auf dem Hinweisschild oder dem rückwärtigen Bedienfeld des Geräts angegeben ist.
- Dieses Gerät darf nur im Innenbereich verwendet werden. (IP20) Um das Risiko von Bränden oder elektrischen Schlägen zu vermeiden, dürfen Sie das Gerät nicht Regen oder Feuchtigkeit aussetzen.
- Installieren Sie das Gerät immer an einem Ort mit ausreichender Belüftung und mit einem Abstand von 50 cm zu den angrenzenden Flächen.
- Stellen Sie sicher, dass die Lüftungsöffnungen am Gehäuse des Geräts nicht verschlossen sind.
- Schließen Sie dieses Gerät niemals an einen Dimmer an.
- Heben Sie das Produkt zum Tragen nur am Hänge-/Befestigungsbügel an.
- Vermeiden Sie wiederholtes Ein- und Ausschalten des Geräts innerhalb eines kurzen Zeitraums. Dadurch wird die Lebensdauer der Laserdiode reduziert.
- Dieses Gerät nicht schütteln. Vermeiden Sie, bei der Montage oder dem Betrieb des Geräts übermäßige Gewalt anzuwenden.
- STETS angemessene Sicherheitskabel zum Aufhängen von Lichteffektgeräten verwenden.
- Die Betriebsumgebungstemperatur des Lasers beträgt 59 °F bis 95 °F (15 °C bis 35 °C). Dieses Produkt nicht außerhalb dieses Bereichs zu betreiben.
- Bei ernsthaften Betriebsproblemen stoppen Sie umgehend die Verwendung des Geräts.

- Versuchen Sie nie selbst, dieses Gerät zu reparieren. Reparaturen müssen von entsprechend geschultem Fachpersonal durchgeführt werden, da sonst Schäden oder Fehlfunktionen auftreten können. Wenden Sie sich an den nächsten Technischen Support.
- Um unnötigen Verschleiß zu vermeiden und die Lebensdauer des Geräts zu verlängern, trennen Sie während längerer Perioden des Nichtgebrauchs das Gerät vom Stromnetz – entweder per Trennschalter oder durch Herausziehen des Steckers aus der Steckdose.



VORSICHT! Die Ausführung von Befehlen, Einstellungen und Handlungen, die nicht in dieser Anleitung beschrieben sind, können zu gefährlichen Laserstrahlungen führen.



- **Chauvet verlangt, für eine erhöhte Standsicherheit Sandsäcke auf die unteren Teile zu legen.**
- **NICHT über die aufgedruckte Stoppmarkierung auf dem Mast kurbeln.**



- **Den Knopf am Einsetzpunkt der Stativbefestigung NICHT zu fest anziehen, da dadurch der Mast des Stativs beschädigt werden könnte.**
- **Dieses Stativ IMMER bestimmungsgemäß verwenden.**



- Vermeiden Sie direkten Augenkontakt mit dem Laserstrahl. Niemals absichtlich Ihre Augen oder die Augen anderer Personen direktem Laserlicht aussetzen.
- Der Laserstrahl kann sofort Ihre Augen verletzen oder zu Blindheit führen, wenn er direkt ins Auge fällt.
- Es ist verboten und gefährlich, den Laserstrahl aufs Publikum zu richten, wo das Licht oder die Reflexion des Lichtstrahls Personen ins Auge treffen kann.
- Es ist gesetzeswidrig, den Laserstrahl auf Flugzeuge richten.
- Sie setzen sich gefährlichen Strahlungen aus, wenn Sie Einstellungen oder Arbeiten am Gerät vornehmen, die nicht ausdrücklich in dieser Anleitung erwähnt sind.
- **Versuchen Sie NICHT, selbst Reparaturen durchzuführen. Bei Reparaturbedarf wenden Sie sich bitte an Ihren Fachhändler. Aus Gründen der Sicherheit sind nicht autorisierte Änderungen am Gerät unzulässig!**



- **Bitte heben Sie diese Bedienungsanleitung zur späteren Einsicht auf. Achten Sie bei einem Eigentümerwechsel des Geräts darauf, dass dieses Dokument am Lasergerät verbleibt.**

Achtung! Kein Schutz bei geöffnetem Gehäuse

- Das Gerät enthält Laser mit hohen Leistungen.
- Dieses Gerät schaltet sich nicht automatisch aus oder bleibt ausgeschaltet, wenn Sie dessen Gehäuse öffnen (Gehäuse ohne Verriegelungsschutz).
- Den Laser nicht bei geöffnetem Gehäuse betreiben, da Sie sich sonst einer gesundheitsschädlichen Laserexposition aussetzen könnten.
- Die Energie der Laserstrahlung kann bei einem Betrieb des Lasers bei geöffnetem Gehäuse zu Erblindung, Hautverbrennungen und Feuer führen.

Hinweise zur Laser-sicherheit



STOPPEN SIE HIER UND LESEN SIE SICH ALLE NACHSTEHENDEN SICHERHEITSANWEISUNGEN BEZÜGLICH DER LASERSICHERHEIT UND DER SPEZIFIKATIONEN DURCH



Laserlicht hat nichts mit anderen Lichtquellen, die Sie vielleicht kennen, gemein. Das Licht dieses Produkts kann Augenverletzungen verursachen, wenn es nicht richtig installiert und bedient wird. Laserlicht ist mehrere tausend Male konzentrierter als jede andere Lichtquelle. Diese hohe Konzentration kann zu sofortigen Augenverletzungen führen, insbesondere zur Verbrennung der Netzhaut (der lichtempfindlichen Rückseite des Auges). Selbst wenn Sie keine

Hinweise zur Laser- sicherheit

STOPPEN SIE HIER UND LESEN SIE SICH ALLE NACHSTEHENDEN SICHERHEITSAUWEISUNGEN BEZÜGLICH DER LASERSICHERHEIT UND DER SPEZIFIKATIONEN DURCH

„Hitze“ vom Laserstrahl spüren, kann er trotzdem Blindheit beim Bediener oder Publikum verursachen. Sogar ganz geringe Mengen von Laserstrahlen auf große Entfernungen sind potenziell gefährlich.

NIEMALS in den Strahl schauen. Laserprodukte der Klasse 3R geben eine Laserstrahlung ab.
NIEMALS das Gerät auf die Augen einer Person richten.

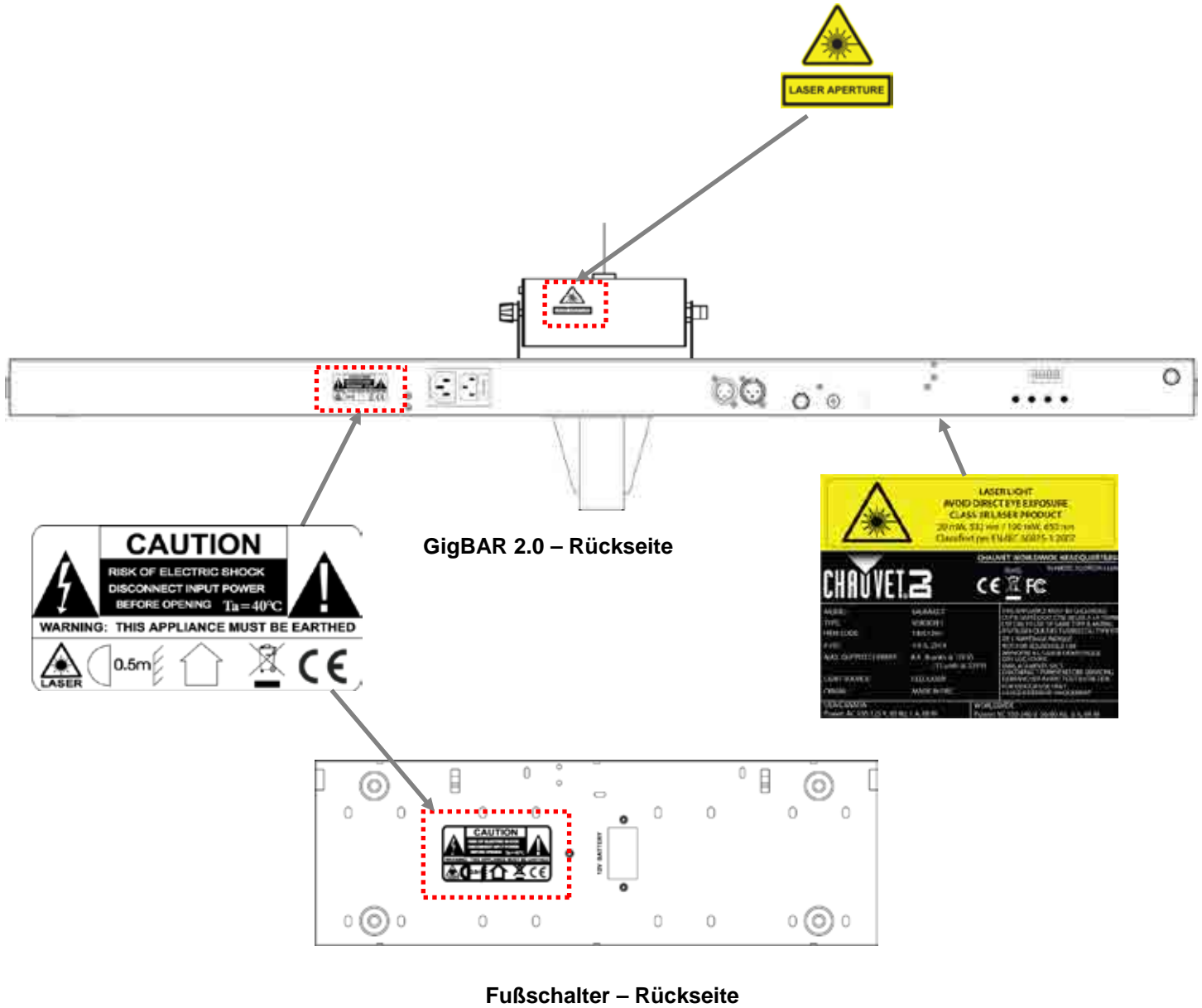
- Betreiben Sie den Laser nicht, ohne zunächst die in dieser Bedienungsanleitung aufgeführten Sicherheits- und technischen Daten gelesen und verstanden zu haben.
- Installieren Sie die Lasereffekte **IMMER** so, dass alle Laserstrahlen mindestens 3 Meter (9,8 Fuß) über dem Boden verlaufen, auf dem Personen stehen können. Siehe den Abschnitt [Bestimmungs-gemäße Verwendung](#) in dieser Anleitung.
- Nach der Montage und vor der Inbetriebnahme in der Öffentlichkeit, testen Sie, ob das Gerät einwandfrei funktioniert. Falls ein Defekt auftritt, darf das Gerät nicht benutzt werden.
- Verwenden Sie das Lasergerät auch dann **NICHT**, wenn es nur einen oder zwei Laserstrahlen statt Dutzende/Hunderte ausstrahlt, da dies auf eine Beschädigung der Beugungsgitteroptik hinweisen kann und eine Laserstrahlung erzeugen könnte, die über die der Klasse 3R liegt.
- Den Laserstrahl **NIEMALS** auf Menschen oder Tiere richten.
- **NIEMALS** in die Laseraustrittsöffnung oder einen Laserstrahl blicken.
- Den Laserstrahl **NICHT** auf Bereiche richten, wo Menschen möglicherweise dem Strahl ausgesetzt werden können.
- Den Laser **NIEMALS** auf stark reflektierende Oberflächen richten, wie Fenster, Spiegel und glänzendes Metall. Sogar reflektierte Laserstrahlen können gefährlich sein.
- Den Laser niemals auf Flugzeuge richten; prüfen Sie vor Gebrauch dieses Lasergeräts Ihre lokal geltenden Gesetze.
- Niemals unbegrenzte Laserstrahlen in den Himmel richten.
- Niemals die Austrittsoptik aggressiven chemischen Reinigungsmitteln aussetzen.
- Niemals den Laser verwenden, wenn das Gehäuse beschädigt oder geöffnet ist oder die Optik auf irgendeiner Art beschädigt zu sein scheint.
- Niemals das Gehäuse des Lasers öffnen. Die hohe Laserleistung im Innern des Gehäuses kann Feuer, Hautverbrennungen und Augenverletzungen verursachen.
- Das Gerät niemals ohne Aufsicht laufen lassen.
- Die gesetzlichen Vorschriften zum Gebrauch von Laserprodukten für die Unterhaltungsindustrie sind länderspezifisch. Der Nutzer des Geräts ist für die Einhaltung der gesetzlichen Vorschriften am Standort / im Land der Verwendung verantwortlich.



VORSICHT! Dieses Gerät darf nicht auf eine andere Art betrieben werden, als in dieser Bedienungsanleitung beschrieben. Bei einer Nichtbeachtung kann das Produkt beschädigt werden oder es kann zu Verletzungen beim Benutzer oder Publikum kommen und jeglicher Garantieanspruch verfällt.

VORSICHT! Dieses Produkt darf nicht im Hausmüll entsorgt werden. Weitere Informationen zu den Vorschriften in Ihrem Gebiet erhalten Sie bei den zuständigen Abfallbehörden.

Warn- und Sicherheitschilder auf dem Lasergerät



Laserexposition – LASERSTRAHLEN: DIE AUGEN NICHT DIREKTEN STRAHLEN AUSSETZEN**Warnung**

Weitere Richtlinien und Programme zur sicheren Benutzung von Lasergeräten finden Sie in der Norm ANSI Z136.1 "For Safe Use of Lasers", die vom Laser Institute of America bezogen werden kann, unter: www.laserinstitute.org. Viele lokale Behörden, Unternehmen, Agenturen, das Militär und andere Einrichtungen erfordern eine Benutzung von Lasergeräten gemäß der Norm ANSI Z136.1. Die Richtlinie "Laser Display" kann über die International Laser Display Association bezogen werden kann, unter: www.laserist.org.

Laseremissionsdaten

Gemäß der Messung unter den IEC-Messbedingungen zur Klassifizierung.

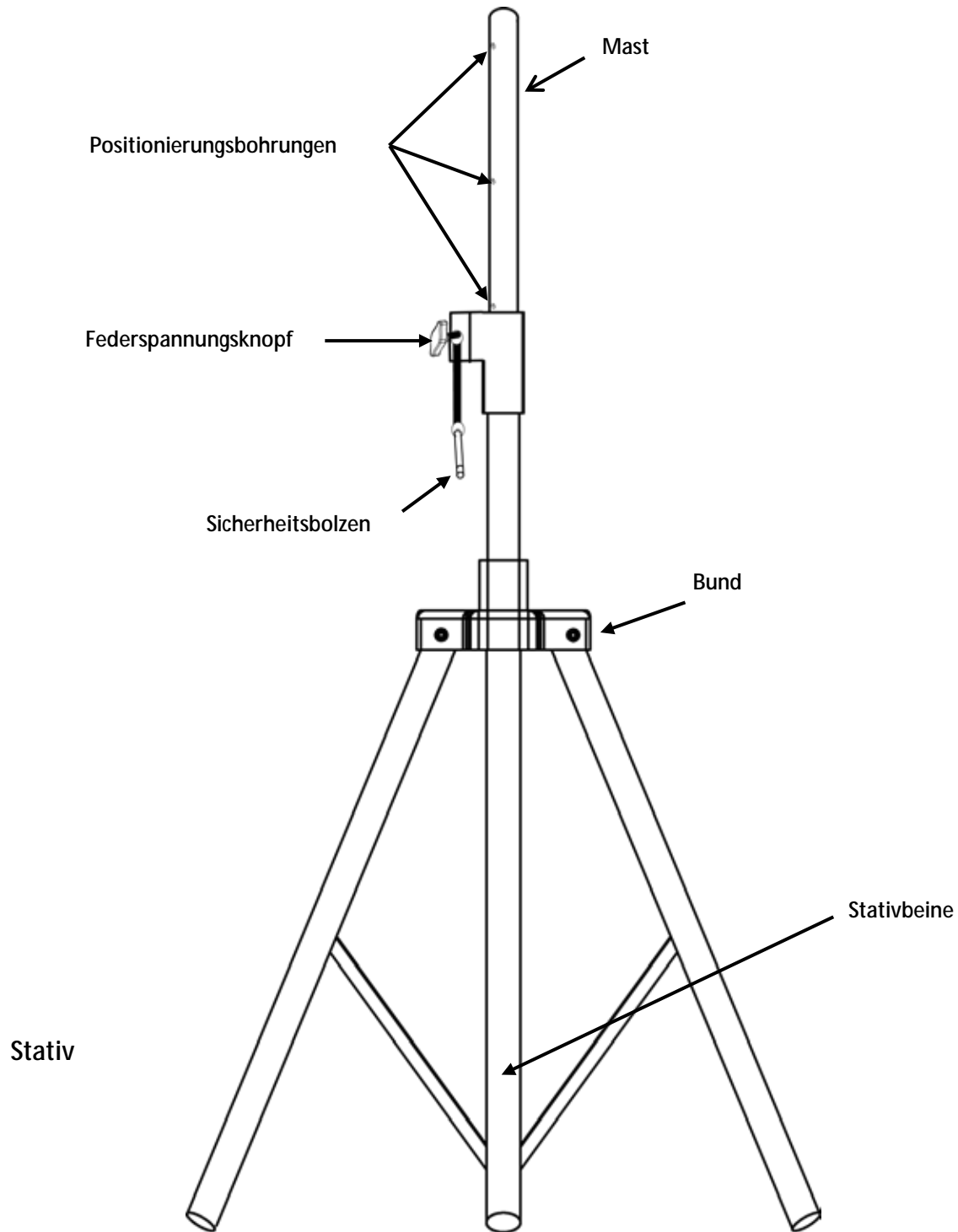
Laserklassifizierung	Klasse 3R
Grüner Laser	DPSS Nd:YVO4, 532 nm/30 mW
Rot Laser Medium	LD GaAlAs, 650 nm/100 mW
Strahldurchmesser	<5 mm am Austritt
Impulsdaten	Alle Impulse < 4 Hz (>0,25 Sek.)
Streuverlust (jeder Strahl)	<2 mrad
Streuverlust (Gesamtlicht)	<160 Grad
Laserleistung jedes Strahls am Austritt	<5 mW

Laser-Konformitäts-erklärung

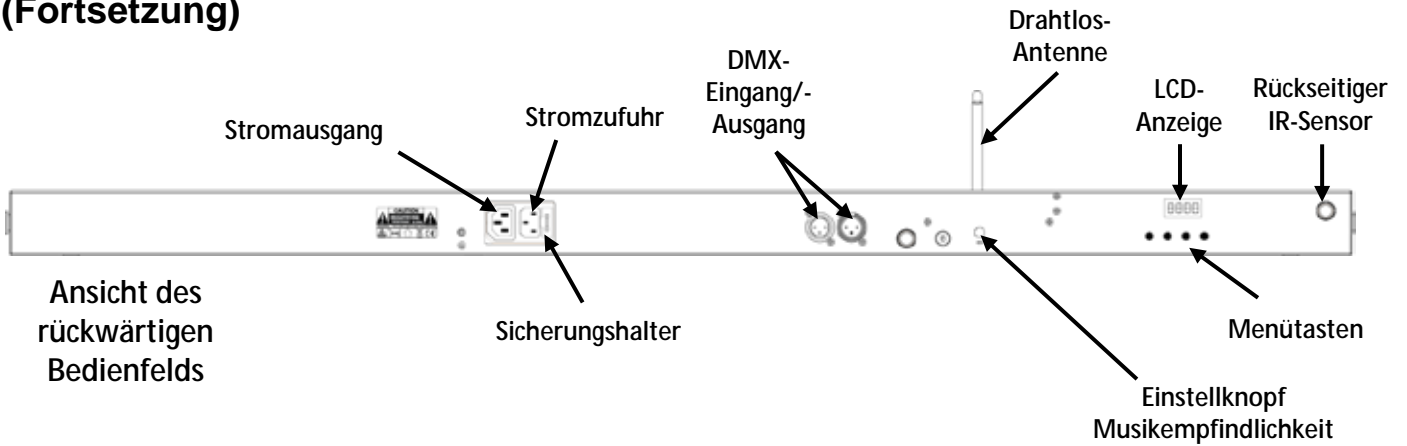
Diese Lasergerät entspricht EN/IEC 60825-1 Ed 2, 2007-03 und den US-Bestimmungen FDA/CDRH FLPPS per den Bestimmungen der Laser Notice Nr. 50, vom 24. Juni 2007. Dieses Lasergerät ist ein Produkt der Klasse 3R. (Klasse 3R ist international gleichwertig mit der US-Klasse IIIa.) Zur Wahrung der Konformität des Geräts bezüglich der Laserleistungsstandards sind keine Wartungsarbeiten erforderlich.

2. EINLEITUNG

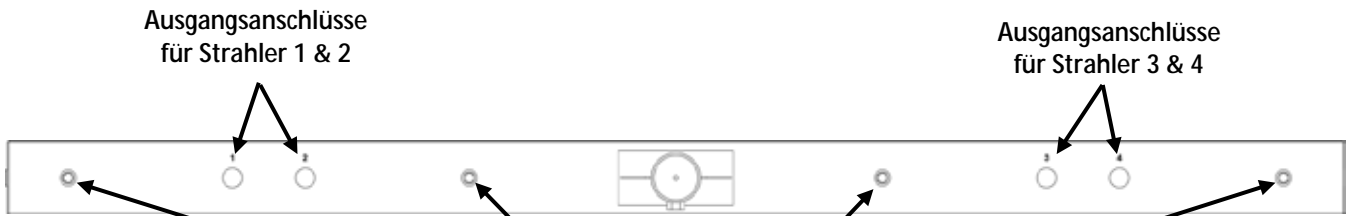
Übersicht



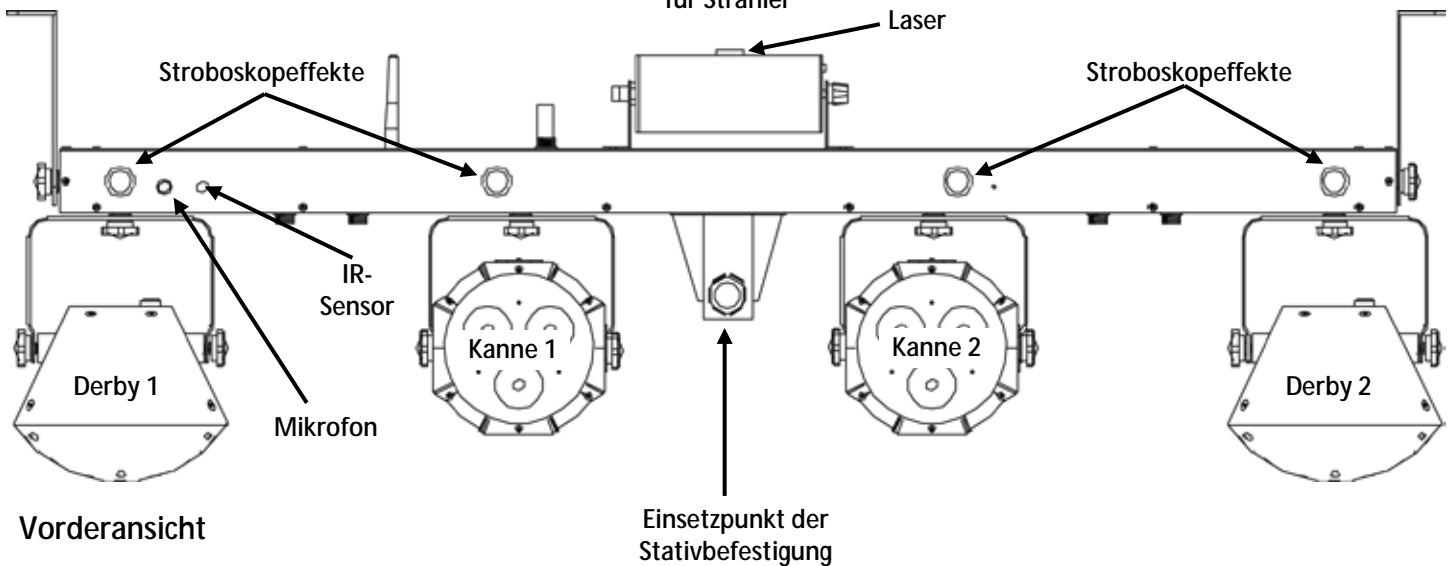
Übersicht (Fortsetzung)



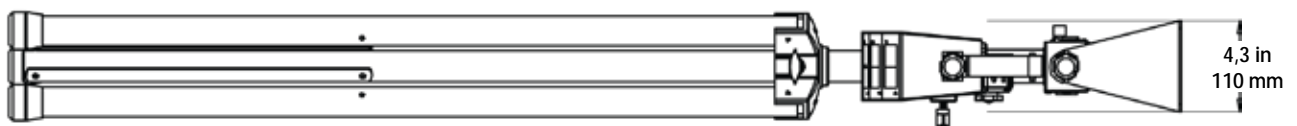
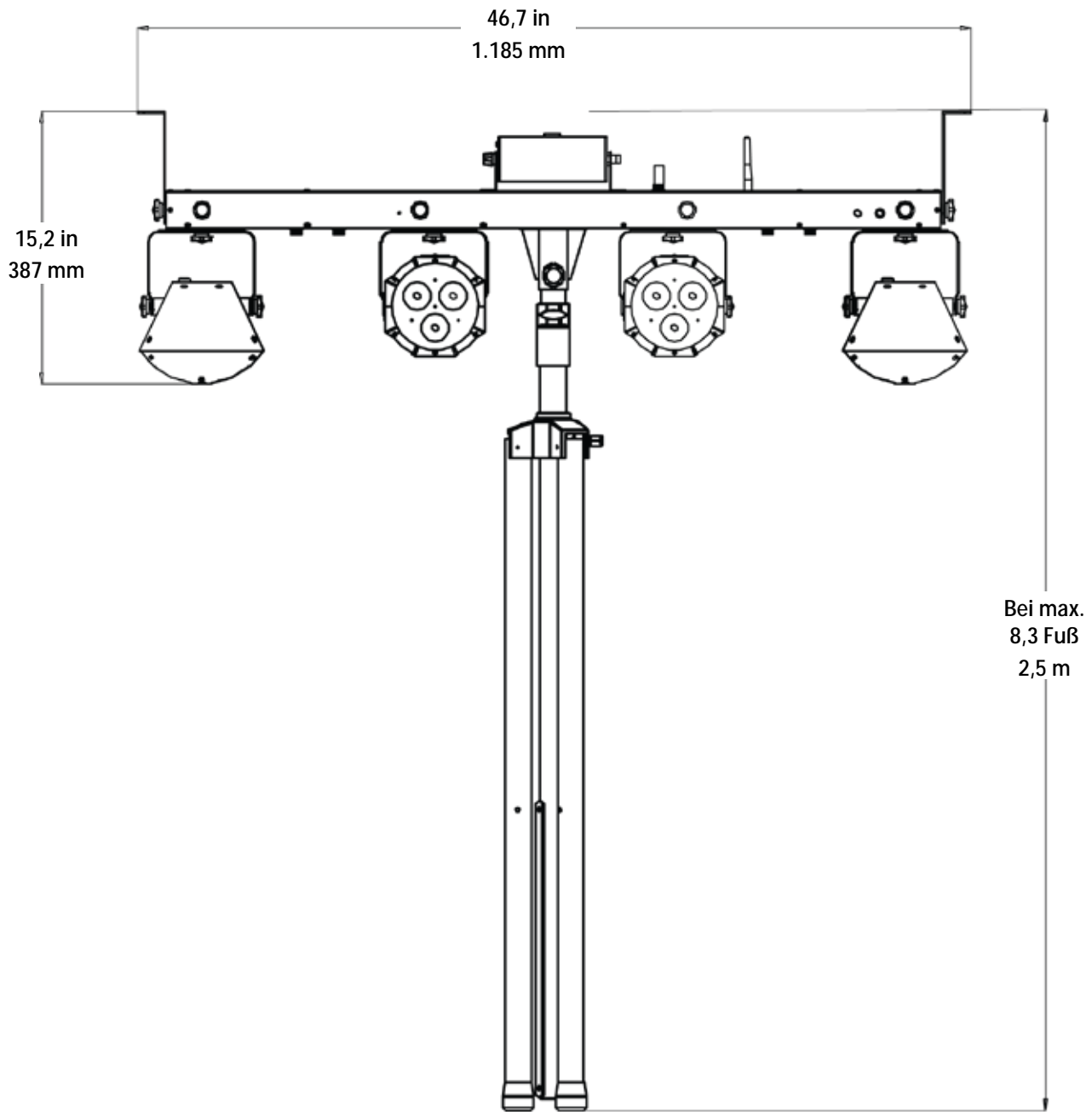
Detailansicht für Schlüsselschalter



Ansicht des Bedienfelds auf der Unterseite



Abmessungen



3. EINRICHTEN DES GERÄTS

Wechselstrom Der GigBAR 2 verfügt über ein Vorschaltgerät, das automatisch die anliegende Spannung erkennt, sobald der Netzstecker in die Schukosteckdose gesteckt wird, und kann mit einer Eingangsspannung von 100~240 V AC, 50/60 Hz arbeiten.

Um die erforderlichen Kennzahlen des Netzanschlusses (Leistungsschalter, Wandsteckdose und Netzkabel) zu ermitteln, verwenden Sie den aktuellen Wert, der sich auf dem Hinweisschild auf der Rückseite des Geräts befindet, oder lesen Sie dazu den Abschnitt [Technische Daten](#) in dieser Anleitung. Die aktuell aufgeführten Werte entsprechen dem durchschnittlichen Stromverbrauch des Geräts unter normalen Bedingungen.



- **Schließen Sie dieses Gerät nur an einen abgesicherten Stromkreislauf (Leistungsschalter oder Sicherung) an. Stellen Sie sicher, dass das Gerät entsprechend an die Masse angeschlossen ist, um die Gefahr elektrischer Schläge oder eines Brands zu vermeiden.**
- **Um unnötigen Verschleiß zu vermeiden und die Lebensdauer des Geräts zu verlängern, trennen Sie während längerer Perioden des Nichtgebrauchs das Gerät vom Stromnetz – entweder per Trennschalter oder durch Herausziehen des Steckers aus der Steckdose.**



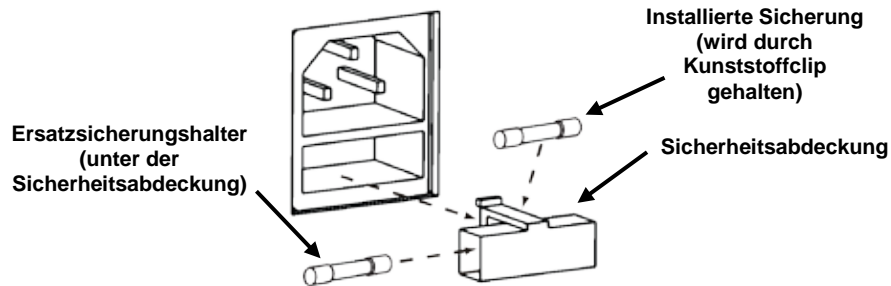
Schließen Sie dieses Gerät niemals an einen Regelwiderstand oder Dimmer an, auch nicht, wenn der Regelwiderstand oder Dimmer nur als 0 bis 100% Schalter dient.

Auswechseln der Sicherung

1. Trennen Sie das Gerät vom Stromnetz.
2. Klemmen Sie die Spitze eines Flachkopfschraubendrehers in den Schlitz des Sicherungshalters.
3. Hebeln Sie den Sicherungshalter vom Gehäuse weg ab.
4. Entfernen Sie die durchgebrannte Sicherung aus der Halterung.
5. Die Sicherung darf nur durch eine vollkommen gleichwertige ersetzt werden.
6. Setzen Sie die Sicherung wieder ein, und schließen Sie das Gerät an das Stromnetz an.



Trennen Sie das Gerät von der Stromquelle, bevor Sie die Sicherung auswechseln.



Im Lieferumfang ist keine Ersatzsicherung enthalten; unter der Sicherheitsabdeckung ist jedoch Platz für eine Ersatzsicherung.



Achten Sie beim Auswechseln der Sicherung darauf, immer den gleichen Typ mit den gleichen Werten zu verwenden.

Verriegelungsstecker Dieses Produkt verfügt über eine Buchse für einen remoten Verriegelungsschalter, der den Laserausstoß im Notfall abschaltet. Mit dem remoten Verriegelungsstecker können Sie Ihren eigenen Verriegelungsschalter erstellen.

Reihenschaltung der Geräte Eine Serienschaltung ist der Zusammenschluss mehrerer Geräte für eine Show an den Stromeingängen und -ausgängen, sodass mehrere Geräte über eine Wandsteckdose versorgt werden können.

Sie können bis zu 8 GigBAR 2-Produkte bei 120 V zusammenschalten, bis zu 15 GigBAR 2-Produkte bei 230 V zusammenschalten



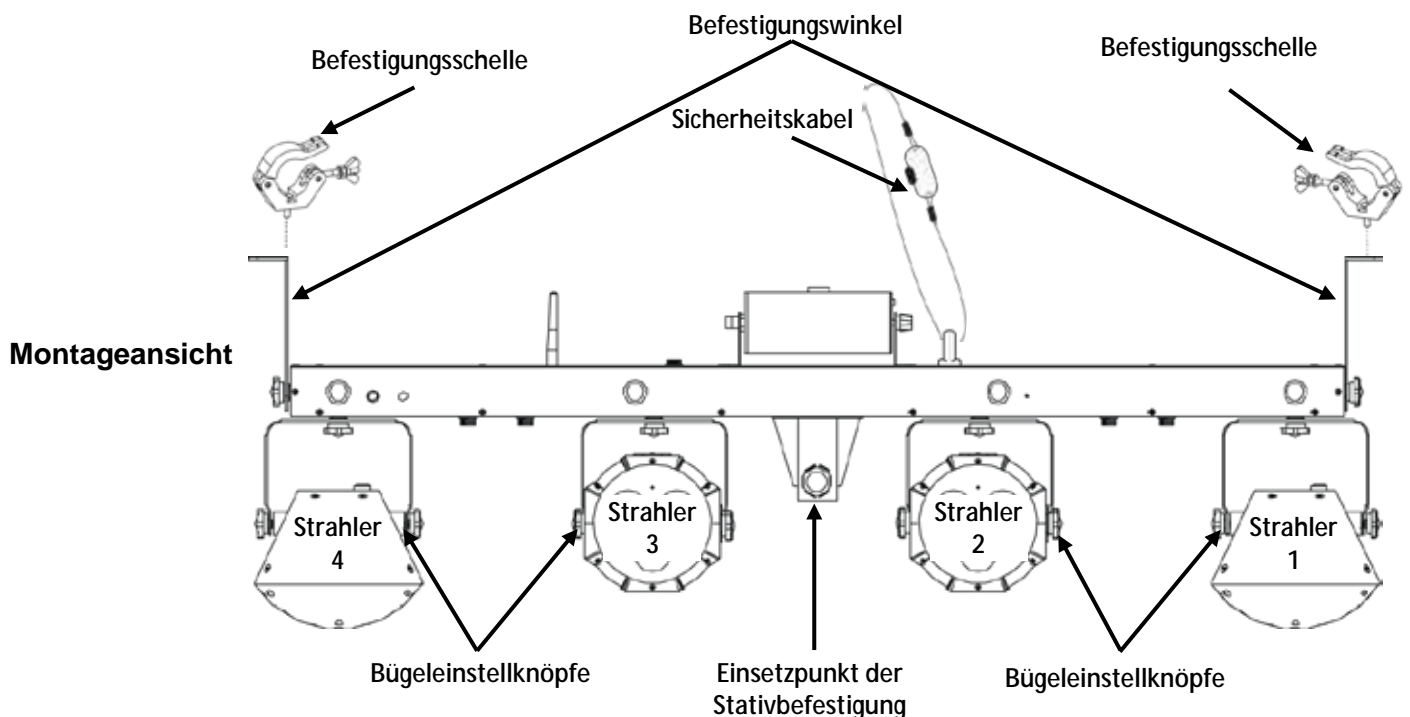
Schließen Sie nicht mehr als 8 GigBAR 2-Geräte bei 120 V zusammen.

Schließen Sie nicht mehr als 15 GigBAR 2-Geräte bei 230 V zusammen.

Montage Lesen Sie vor der Montage des Geräts die in den [Sicherheitshinweisen](#) enthaltenen Sicherheitsempfehlungen durch.

Montagerichtung Der GigBAR 2 muss in einer Position befestigt werden, die einen sicheren Betrieb des Lasers erlaubt. Sorgen Sie zudem dafür, dass das Gerät ausreichend belüftet ist.

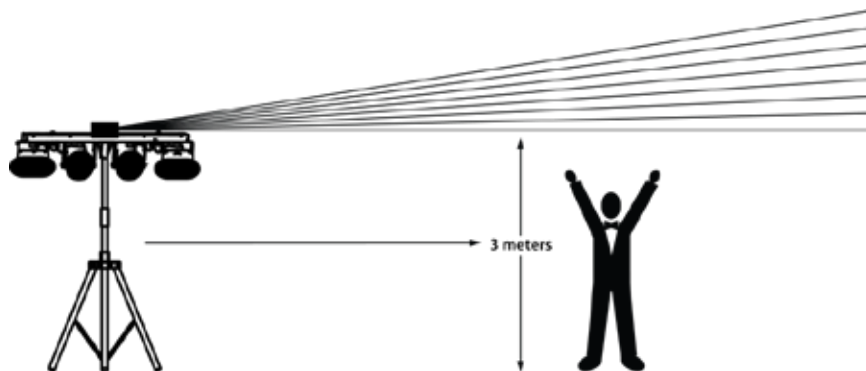
- Hängende Montage**
- Bevor Sie sich für eine Montagestelle entscheiden, müssen Sie bedenken, dass das Gerät zur Wartung und Programmierung immer leicht zugänglich ist.
 - Stellen Sie sicher, dass die Struktur oder Oberfläche, an oder auf die Sie das Gerät montieren, dessen Gewicht tragen kann (siehe [Technische Daten](#)).
 - Verwenden Sie für die Montage des Geräts über Kopf immer ordnungsgemäße Sicherheitskabel, wie etwa das von Chauvet verfügbare **CH-05**. Befestigen Sie das Gerät sicher an einem Aufhängepunkt, was etwa ein erhöhtes Podest oder ein Gerüstelement sein kann.
 - Mit den Bügeleinstellknöpfen lässt sich die winklige Ausrichtung des Geräts justieren. Die Bügeleinstellknöpfe nur manuell lösen und festschrauben. Bei der Verwendung von Hebelwerkzeugen können die Bügeleinstellknöpfe beschädigt werden.
 - Stellen Sie bei einer Montage des Geräts auf ein Stativ sicher, dass das Stativ ausreichend fixiert und in Waage ist.



Bestimmungsgemäße Verwendung

Das Gerät muss aufgehängt werden. Chauvet empfiehlt, aus Sicherheitsgründen den Lichteffect auf festen, erhöhten Plattformen oder an festen Befestigungsstützen mit geeigneten Befestigungsschellen zu befestigen. Verwenden Sie immer Sicherheitskabel. Geeignetes Material erhalten Sie bei Ihrem Fachhändler für Lichteffectgeräte.

Gemäß den internationalen Laser-Sicherheitsbestimmungen müssen Laserprodukte wie unten abgebildet eingesetzt werden, d. h., mit einem vertikalen Mindestabstand von 3 m zwischen dem Boden und dem niedrigsten Laserlicht. Hinzu kommt ein horizontaler Abstand von 3 m zwischen Laserlicht und Publikum sowie anderen öffentlichen Bereichen.



VORSICHT! Die Ausführung von Befehlen, Einstellungen und Handlungen, die nicht in dieser Anleitung beschrieben sind, können zu gefährlichen Laserstrahlungen führen.



- Chauvet verlangt, für eine erhöhte Standsicherheit Sandsäcke auf die unteren Teile zu legen.

- **WICHTIG:** NICHT über die aufgedruckte Stoppmarkierung auf dem Mast kurbeln.



- Den Knopf am Einsetzpunkt der Stativbefestigung **NICHT** zu fest anziehen, da dadurch der Mast des Stativs beschädigt werden könnte.

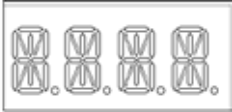
- Dieses Stativ **IMMER** bestimmungsgemäß verwenden.

4. BETRIEB

Dieses Produkt eignet sich nicht für eine permanente Installation. Regelmäßige Betriebspausen sind wichtig, um die Lebensdauer dieses Geräts zu erhöhen. Immer den Netzstecker abziehen, wenn der GigBAR 2 längere Zeit nicht benutzt wird.

Betrieb des Bedienfeldes

Zum Zugreifen auf das Bedienfeld verwenden Sie die vier Tasten unter der Anzeige. Wenn das Produkt eingeschaltet ist, zeigt der LED-Monitor auf dem rückwärtigen Bedienfeld den aktuellen Betriebsmodus an (Stand-alone oder DMX). Wenn das Gerät ausgeschaltet wird, merkt es sich die zuletzt gespeicherten Einstellungen.



Taste	Funktion
<MENU>	Um einen Betriebsmodus zu suchen oder zum Hauptmenü zurückzukehren, betätigen Sie diese Taste.
<UP>	Damit navigieren Sie durch die Menüpunkte nach oben und erhöhen den numerischen Wert der entsprechenden Funktionen.
<DOWN>	Damit navigieren Sie durch die Menüpunkte nach unten und verringern den numerischen Wert der entsprechenden Funktionen.
<ENTER>	Aktiviert eine Menüoption oder einen ausgewählten Wert.

Menüstruktur

Modus	Programmirebenen		Beschreibung
AUTO-Mischeffekt	AM**	AM01–AM02	Wählt die Show mit automatischem Mischeffekt aus
		F 01–F 99	Wählt die Geschwindigkeit des automatischen Mischeffekts aus
MUSIK-Mischeffekt	SM**	SM01–SM02	Wählt die Show mit musikgesteuertem Mischeffekt aus
		F 01–F 99	Wählt die Geschwindigkeit des musikgesteuerten Mischeffekts aus
SHOW-Einstellungen	SHOW		Wählt nach Betätigung von <ENTER> unterschiedliche Show-Einstellungen aus, bei denen Sie Shows mit gemischten Effekten oder Effekte nur mit den PAR-Kannen auswählen können
Auto-PAR-Kanneneffekt	AP**	AP01– AP07	Wählt die PAR-Kannen-Show aus
		F 01–F 99	Wählt die Geschwindigkeit für die PAR-Kannen-Show aus
Auto-Derby-Effekt	AK01	F 01–F 99	Wählt die automatische Geschwindigkeit für den Derby aus
Auto-Lasereffekt	AL01	F 01–F 99	Wählt die automatische Geschwindigkeit für den Laser aus
Auto-Stroboskopeffekt	AS**	AS01–AS22	Wählt die automatische Stroboskop-Show aus
		F 01–F 99	Wählt die Geschwindigkeit für die automatische Stroboskop-Show aus
Auto-PAR-Kannen und Derby	APK1	F 01–F 99	Wählt die automatische Geschwindigkeit der Show für die PAR-Kannen und den Derby aus
Auto-PAR-Kannen- und Lasereffekt	APL1	F 01–F 99	Wählt die automatische Geschwindigkeit der Show für die PAR-Kannen und Laser aus
Automatischer PAR-Kannen- und Stroboskopeffekt	APS1	F 01–F 99	Wählt die Geschwindigkeit für die automatische PAR-Kannen- und Stroboskop-Show aus
Auto-Derby- und Lasereffekt	AKL1	F 01–F 99	Wählt die automatische Geschwindigkeit der Show für Derby und Laser aus
Automatischer Derby- und Stroboskopeffekt	AKS1	F 01–F 99	Wählt die automatische Geschwindigkeit der Show für Derby- und Stroboskopeffekt aus
PAR-Kanne + Derby + Laser	APKL	F 01–F 99	Wählt die Geschwindigkeit der Show für PAR-Kanne + Derby + Laser aus

Modus	Programmiererebenen		Beschreibung
PAR-Kanne + Derby + Stroboskopeffekt	APKS	F 01–F 99	Wählt die Geschwindigkeit der Show für PAR-Kanne + Derby + Stroboskopeffekt aus
PAR-Kanne + Laser + Stroboskopeffekt	APLS	F 01–F 99	Wählt die Geschwindigkeit der Show für PAR-Kanne + Laser + Stroboskopeffekt aus
Derby + Laser + Stroboskopeffekt	AKLS	F 01–F 99	Wählt die Geschwindigkeit der Show für Derby + Laser + Stroboskopeffekt aus
Musikgesteuerter PAR-Kannen-Effekt	SP**	SP01–SP07	Stellt die PAR-Kannen auf Musiksteuerungs-Modus ein
Musikgesteuerter Derby-Effekt		SK01	Stellt die Derby beleuchtung auf Musiksteuerungs-Modus ein
Musikgesteuerter Lasereffekt		SL01	Stellt die Laser auf Musiksteuerungs-Modus ein
Musikgesteuerter Stroboskopeffekt	SS**	SS01–SS22	Stellt die Stroboskopeffekt auf Musiksteuerungs-Modus ein und wählt deren Frequenz
Musikgesteuerter PAR-Kannen- und Derby-Effekt		SPK1	Stellt PAR-Kannen und Derby beleuchtung auf Musiksteuerungs-Modus ein
Musikgesteuerte PAR-Kannen und Laser		SPL1	Stellt PAR-Kannen und Laser auf Musiksteuerungs-Modus ein
Musikgesteuerter PAR-Kannen- und Stroboskopeffekt		SPS1	Stellt PAR-Kannen und Stroboskopeffekte auf Musiksteuerungs-Modus ein
Musikgesteuerter Derby und Laser		SKL1	Stellt Derby beleuchtung und Laser auf Musiksteuerungs-Modus ein
Musikgesteuerter Derby- und Stroboskopeffekt		SKS1	Stellt Derby beleuchtung und Stroboskopeffekte auf Musiksteuerungs-Modus ein
PAR-Kanne + Derby + Laser		SPKL	Stellt PAR-Kannen, Derby beleuchtung und Laser auf Musiksteuerungs-Modus ein
PAR-Kanne + Derby + Stroboskopeffekt		SPKS	Stellt PAR-Kannen, Derby beleuchtung und Stroboskopeffekte auf Musiksteuerungs-Modus ein
PAR-Kanne + Laser + Stroboskopeffekt		SPLS	Stellt PAR-Kannen, Laser und Stroboskopeffekte auf Musiksteuerungs-Modus ein
Derby + Laser + Stroboskopeffekt		SKLS	Stellt Derby beleuchtung, Laser und Stroboskopeffekte auf Musiksteuerungs-Modus ein

Modus	Programmiererebenen		Beschreibung	
Allgemeine Einstellung der FARBEN	CoLo	R**	R000–R255	Stellt die roten Werte der PAR-Kannen und Derby beleuchtung ein
		G**	G000–G255	Stellt die grünen Werte der PAR-Kannen und Derby beleuchtung ein
		B**	B000–B255	Stellt die blauen Werte der PAR-Kannen und Derby beleuchtung ein
		U**	U000–U255	Stellt die UV Werte der PAR-Kannen und Stroboskopeffekte
Nur 3 der 4 Farben können gleichzeitig verwendet werden.				
DMX-Adresseinstellung	d** (d001–d512)	3 CH		Wählt den DMX-Modus aus
		11CH		
		23CH		
Master/Slave-Einstellung	Slav		Stellt auf den Slave-Modus ein	
Systemoptionen	Sys	dSET	1234	Ändert die Anordnung der Strahler
		rSEt		Setzt auf die Werkseinstellungen zurück
		WiFi	on off	Schaltet die WiFi-Antenne für den drahtlosen Fußschalter ein und aus

Konfiguration (Stand-alone)

Zur Steuerung ohne einem DMX-Controller versetzen Sie das Gerät in einen der Stand-alone-Modi.

Schließen Sie das Gerät an eine passende Wandsteckdose an.



Schließen Sie ein Gerät, das sich im Stand-alone-Modus befindet (Automatisch oder Musiksteuerung) an eine mit einem DMX-Controller verbundenen DMX-Leitung an. Geräte im Stand-alone-Modus können DMX-Signale aussenden, die mit den DMX-Signalen des DMX-Controllers interferieren können.

Musiksteuerungs- Modus für musik- gesteuerten Mischeffekt

Um den Modus für den musikgesteuerten Mischeffekt (alle Musiksteuerung) zu aktivieren, gehen Sie wie folgt vor:

1. Betätigen Sie wiederholt **<MENU>**, bis **SM**** auf der Anzeige blinkt.
2. Betätigen Sie **<ENTER>**.
3. Mit den Tasten **<UP>** oder **<DOWN>** wählen Sie den gewünschten Musiksteuerungs-Modus (**SM01** oder **SM02**) aus.
4. Drücken Sie auf **<ENTER>**, damit das Gerät in den Musiksteuerungs-Modus wechselt.
5. Mit den Tasten **<UP>** oder **<DOWN>** stellen Sie die Geschwindigkeit des Modus ein, **F 01** (schnell) bis **F 99** (langsam).
6. Betätigen Sie **<ENTER>**.
Schalten Sie die Musik ein, und drehen Sie solange am Einstellknopf für die Musikempfindlichkeit, bis das Gerät beginnt, auf die Musik zu reagieren.



- **Das Gerät reagiert nur auf niedrige Musikfrequenzen (Bass oder Trommeln).**
- **Der Laser wird nach 3 Sekunden abgedunkelt, wenn im Musiksteuerungs-Modus kein Geräusch vorhanden ist oder das Geräusch unter der eingestellten Empfindlichkeit liegt.**

Auto-Modus für automatischen Mischeffekt

Zum Aktivieren des automatischen Mischeffekts (alle Automatisch) befolgen Sie die Anweisungen unten:

1. Betätigen Sie wiederholt **<MENU>**, bis **AM**** auf der Anzeige blinkt.
2. Betätigen Sie **<ENTER>**.
3. Mit den Tasten **<UP>** oder **<DOWN>** wählen Sie den gewünschten Auto-Modus (**AM01** oder **AM02**) aus.
4. Betätigen Sie **<ENTER>**.
5. Mit den Tasten **<UP>** oder **<DOWN>** stellen Sie die Geschwindigkeit des Modus ein, **F 01** (schnell) bis **F 99** (langsam).
6. Betätigen Sie **<ENTER>**.

Show- Einstellungen

Um Shows mit gemischten Effekten oder Effekte nur mit den PAR-Kannen auswählen zu können, befolgen Sie die Anweisungen unten und lesen den Abschnitt [Menüstruktur](#) für die Programmierschritte:

1. Betätigen Sie wiederholt **<MENU>**, bis **SHOW** auf der Anzeige blinkt.
2. Bestätigen Sie **<ENTER>** bis zur nächsten Programmierenebene.
3. Mit **<UP>** oder **<DOWN>** scrollen Sie durch die unterschiedlichen automatischen und musikgesteuerten Show-Optionen.
4. Bestätigen Sie **<ENTER>**, damit das Gerät in den ausgewählten Modus wechselt.
5. Mit den Tasten **<UP>** oder **<DOWN>** stellen Sie die Geschwindigkeit des Modus ein, **F 01** (schnell) bis **F 99** (langsam).
6. Betätigen Sie **<ENTER>**.

Master/Slave-Modus

Im Master/Slave-Modus lassen sich mit einem einzigen GigBAR 2-Gerät (das Master-Gerät) die Aktionen eines oder mehrerer GigBAR 2-Geräte (die Slave-Geräte) ansteuern, ohne einen DMX-Controller verwenden zu müssen. Das Master-Gerät wird so eingerichtet, dass es entweder im Auto-Modus oder Musiksteuerungs-Modus betrieben wird, während die Slave-Geräte so eingerichtet werden, dass sie im Slave-Modus arbeiten. Sobald dies eingestellt ist und alle Geräte verbunden sind, arbeiten die Slave-Geräte im Takt des Master-Geräts.

Konfigurieren Sie die Geräte wie unten angezeigt.

Für jedes Slave-Gerät:

1. Betätigen Sie wiederholt **<MENU>**, bis **Slav** auf der Anzeige blinkt.
2. Drücken Sie auf **<ENTER>**, damit das Gerät in den Slave-Modus wechselt. Die Anzeige blinkt weiterhin.
3. Wiederholen Sie die Schritte 1 bis 2 für jedes Slave-Gerät.
4. Verbinden Sie den DMX-Ausgang des ersten Slave-Geräts mit dem DMX-Eingang des nächsten Slave-Geräts.
5. Verbinden Sie den DMX-Eingang jedes folgenden Slave-Geräts mit dem DMX-Ausgang des vorherigen Slave-Geräts.

· **Konfigurieren Sie alle Slave-Geräte, bevor Sie das Master-Gerät an die DMX-Serienschaltung anschließen.**



· **Die Anzeige auf den Slave-Geräten blinkt, bis die Slave-Geräte vom Master ein DMX-Signal empfangen.**

Für das Master-Gerät:

1. Verbinden Sie den DMX-Ausgang des Master-Geräts mit dem DMX-Eingang des ersten Slave-Geräts.
2. Stellen Sie den Betrieb des Master-Geräts entweder auf Auto- oder Musiksteuerungs-Modus.

· **Das Master-Gerät muss nun als erstes Gerät in der DMX-Serienschaltung festgelegt werden.**



· **Schließen Sie niemals einen DMX-Controller an eine DMX-Serienschaltung an, die für einen Master/Slave-Betrieb konfiguriert ist, da der Controller die Signale des Master-Geräts stören kann.**

· **Schließen Sie nicht mehr als 31 Slave-Geräte an das Master-Gerät an.**

Konfiguration (DMX)

Zur Steuerung mit einem DMX-Controller versetzen Sie das Gerät in den DMX-Modus. Das Gerät verwendet ein 3-poliges DMX-Kabel.

1. Schließen Sie das Gerät an eine passende Wandsteckdose an.
2. Schließen Sie ein DMX-Kabel am DMX-Ausgang des DMX-Controllers und am DMX-Eingang des Geräts an.

DMX-Eigenschaften und -Startadresse

Beachten Sie bei der Auswahl der DMX-Startadresse die vom Gerät verwendete Anzahl der DMX-Kanäle. Wenn Sie eine Startadresse verwenden, die zu hoch ist, müssen Sie den Zugang zu einigen Gerätekanälen beschränken.

Der GigBAR 2 verwendet 3-, 11- und 23-Kanal-DMX-Eigenschaften, das heißt, dass die höchste zu verwendende DMX-Startadresse die **490** ist.

Wenn Sie mit dem DMX-Protokoll nicht vertraut sind, laden Sie "DMX - Eine Einführung" unter <http://www.chauvetlighting.com> herunter.

Um die DMX-Eigenschaft und die DMX-Startadresse auszuwählen, gehen Sie wie folgt vor:

1. Betätigen Sie wiederholt **<MENU>** bis die gewünschte DMX-Eigenschaft (**3 CH**, **11CH** oder **23CH**) auf der Anzeige blinkt.
2. Betätigen Sie **<ENTER>** damit **d**** auf der Anzeige blinkt.
3. Mit den Tasten **<UP>** oder **<DOWN>** wählen Sie die Startadresse aus
23CH (d001–d490)
11CH (d001–d502)
3-CH (d001–d510).
4. Drücken Sie auf **<ENTER>**, damit das Gerät in den DMX-Modus wechselt. Die Anzeige blinkt weiterhin.

Benutzerdefinierte Farbanpassung

Um die PAR-Kanne und den Derby beide auf eine benutzerdefinierte Farbe einzustellen, gehen Sie wie folgt vor:

1. Betätigen Sie wiederholt **<MENU>**, bis **CoLo** auf der Anzeige blinkt.
2. Betätigen Sie **<ENTER>**.
3. Mit **<UP>** oder **<DOWN>** scrollen Sie durch die Farben **R**** (rot), **G**** (grün), **B**** (blau) oder **U**** (UV).
4. Betätigen Sie **<ENTER>**, um die Farbe auszuwählen.
5. Mit den Tasten **<UP>** oder **<DOWN>** stellen Sie die Farbsättigung (**X000–X255**) ein.
6. Betätigen Sie **<ENTER>**.
7. Wiederholen Sie die Schritte 3 bis 5 für jede Farbe.



Hinweis: Nur 3 der 4 Farben können gleichzeitig verwendet werden.

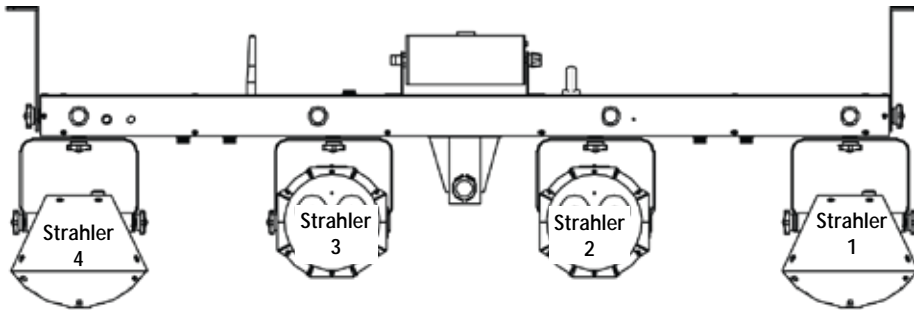
Systemeinstellungen

Um die Werkseinstellungen wiederherzustellen oder Änderungen an den Einstellungen der einzelnen Strahler vorzunehmen, befolgen Sie untenstehenden Anweisungen.

1. Betätigen Sie wiederholt **<MENU>**, bis **SyS** auf der Anzeige blinkt.
2. Betätigen Sie **<ENTER>**.
3. Mit **<UP>** oder **<DOWN>** wählen Sie **rSEt** (Werkseinstellungen) oder **dSEt** (Änderungen an der Strahleranordnung).
4. Betätigen Sie **<ENTER>**, um die gewünschten Systemeinstellungen einzustellen.

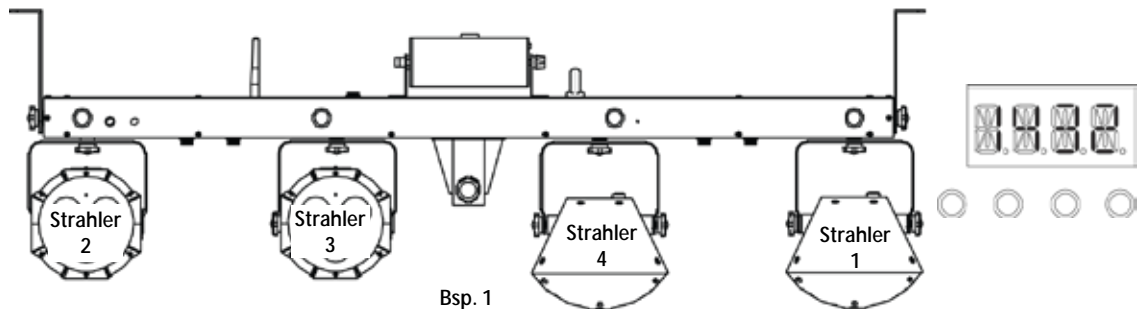
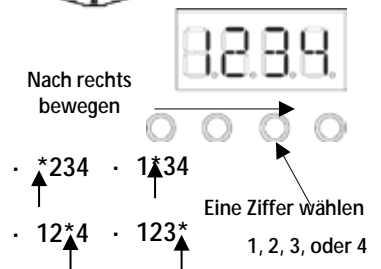
Wenn **rSEt** ausgewählt ist, wird der GigBAR 2 auf die Werkseinstellungen zurückgestellt.

Standardmäßige Strahleranordnung



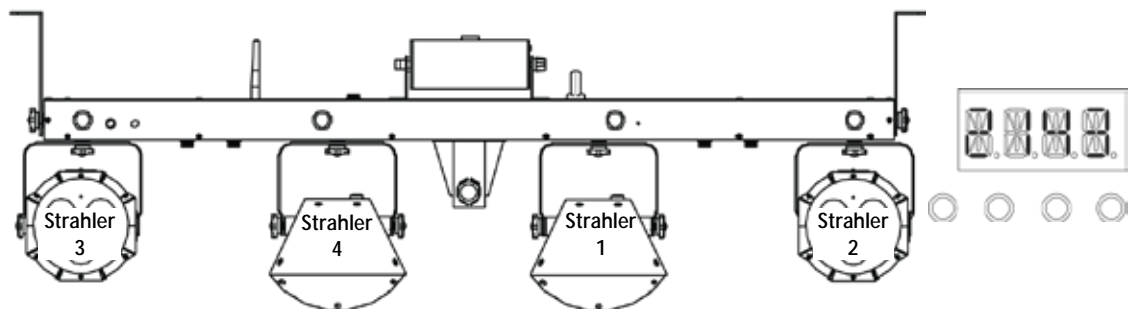
Wenn **dSEt** ausgewählt ist, ändern Sie die Reihenfolge der Strahler, indem Sie nachstehende Schritte und Beispiele zum Anordnen der Strahler befolgen.

- Mit **<UP>** gelangen Sie auf der Anzeige nach rechts.
- Mit **<DOWN>** ändern Sie die Ziffer (1, 2, 3 oder 4).
- Bestätigen Sie mit **<ENTER>**.
- Wiederholen Sie die Schritte, bis alle 4 Strahler wunschgemäß angeordnet sind.



Bsp. 1

Beispiele für das erneute Anordnen der Strahler



Bsp. 2

DMX-Kanal – Zuordnungen und Werte

23CH	Kanal	Funktion	Wert	Einstellung	
	1	Steuerung von PAR-Kanne 1	000 ó 255	Rot 0–100 %	Hinweis: Nur 3 der 4 Farben können gleichzeitig verwendet werden.
	2		000 ó 255	Grün 0–100 %	
	3		000 ó 255	Blau 0–100 %	
	4		000 ó 255	UV 0–100 %	
	5		000 ó 127	RGB, basierend auf den Kanälen 1, 2 und 3	
			128 ó 239	Blitzfrequenz, von langsam nach schnell	
			240 ó 249	Musikgesteuerter Stroboskopeffekt	
			250 ó 255	RGB 100%	
	6	Steuerung von PAR-Kanne 2	000 ó 255	Rot 0–100%	Hinweis: Nur 3 der 4 Farben können gleichzeitig verwendet werden.
	7		000 ó 255	Grün 0–100%	
	8		000 ó 255	Blau 0–100 %	
	9		000 ó 255	UV 0–100 %	
	10		000 ó 127	RGB, basierend auf den Kanälen 6, 7 und 8	
			128 ó 239	Blitzfrequenz, von langsam nach schnell	
			240 ó 249	Musikgesteuerter Stroboskopeffekt	
			250 ó 255	RGB 100 %	
	11	Steuerung von Derby 1	000 ó 024	Verdunkelung	
			025 ó 049	Rot	
			050 ó 074	Grün	
			075 ó 099	Blau	
			100 ó 124	Rot + grün	
			125 ó 149	Rot + blau	
			150 ó 174	Grün + blau	
			175 ó 199	Rot + grün + blau	
			200 ó 224	Automatisch (nur Einzelfarben)	
	225 ó 255	Automatisch (zwei Farben gleichzeitig)			
	12	Blitzfrequenz Derby 1	000 ó 009	Keine Funktion	
			010 ó 239	Stroboskop 0–30 Hz	
			240 ó 255	Musikgesteuerter Stroboskopeffekt	
	13	Rotation von Derby 1	000 ó 004	Anhalten	
			005 ó 127	Im Uhrzeigersinn rotieren, von langsam nach schnell	
			128 ó 133	Anhalten	
			134 ó 255	Entgegen dem Uhrzeigersinn rotieren, von langsam nach schnell	

23CH	Kanal	Funktion	Wert	Einstellung
14		Steuerung von Derby 2	000 ó 024	Verdunkelung
			025 ó 049	Rot
			050 ó 074	Grün
			075 ó 099	Blau
			100 ó 124	Rot + grün
			125 ó 149	rot + blau
			150 ó 174	Grün + blau
			175 ó 199	Rot + grün + blau
			200 ó 224	Automatisch (nur Einzelfarben)
			225 ó 255	Automatisch (zwei Farben gleichzeitig)
15		Blitzfrequenz Derby 2	000 ó 009	Keine Funktion
			010 ó 239	Stroboskop 0–30 Hz
			240 ó 255	Musikgesteuerter Stroboskopeffekt
16		Rotation von Derby 2	000 ó 004	Anhalten
			005 ó 127	Im Uhrzeigersinn rotieren, von langsam nach schnell
			128 ó 133	Anhalten
			134 ó 255	Entgegen dem Uhrzeigersinn rotieren, von langsam nach schnell
17		Laser Farben	000 ó 039	Verdunkelung
			040 ó 079	Rot auf
			080 ó 119	Grün auf
			120 ó 159	Rot + Grün auf
			160 ó 199	Rot auf + Grün Stroboskopeffekt
			200 ó 239	Grün auf + Rot Stroboskopeffekt
			240 ó 255	Rot + Grün ((abwechselnd Stroboskopeffekt)
18		Blitzfrequenz des Lasers	000 ó 009	Keine Funktion
			010 ó 239	Strobe, langsam bis schnell
			240 ó 255	Musikgesteuerter Stroboskopeffekt
19		Laser-Muster	000 ó 004	Anhalten
			005 ó 127	Im Uhrzeigersinn rotieren
			128 ó 133	Anhalten
			134 ó 255	Entgegen dem Uhrzeigersinn rotieren

23CH	Kanal	Funktion	Wert	Einstellung	
			000 ó 009	Verdunkelung	
			010 ó 019	Auto-Programm 1 weiß	
			020 ó 029	Auto-Programm 2 weiß	
			030 ó 039	Auto-Programm 3 weiß	
			040 ó 049	Auto-Programm 4 weiß	
			050 ó 059	Auto-Programm 5 weiß	
			060 ó 069	Auto-Programm 6 weiß	
			070 ó 079	Auto-Programm 7 weiß	
			080 ó 089	Auto-Programm 8 weiß	
			090 ó 099	Auto-Programm 9 weiß	
			100 ó 109	Strobe weiß, langsam bis schnell	
	20	Strobe-Muster	110 ó 129	Auto-Programm 1 UV	
			130 ó 139	Auto-Programm 2 UV	
			140 ó 149	Auto-Programm 3 UV	
			150 ó 159	Auto-Programm 4 UV	
			160 ó 169	Auto-Programm 5 UV	
			170 ó 179	Auto-Programm 6 UV	
			180 ó 189	Auto-Programm 7 UV	
			190 ó 199	Auto-Programm 8 UV	
			200 ó 209	Auto-Programm 9 UV	
			210 ó 219	Strobe UV, langsam bis schnell	
			220 ó 229	Musikgesteuerter Stroboskopeffekt UV	
			230 ó 255	Musikgesteuerter Stroboskopeffekt weiß	
	21		Strobe-Dimmung (weiß)	000 ó 255	weiß LED-Dimmer
	22		Strobe-Dimmung (UV)	000 ó 255	UV LED-Dimmer
	23	Blitzfrequenz	000 ó 255	Geschwindigkeit (von langsam nach schnell)	

Kanäle **21** und **22**
nicht zu der Zeit
verwendet werden
Samen

11CH	Kanal	Funktion	Wert	Einstellung	
	1	Farbe von PAR-Kannen und Derby	000 ó 255	Rot 0–100%	Note: Sie sind zuverlässig maximal 3 Farben zu einem Zeitpunkt, zu verwenden
	2		000 ó 255	Grün 0–100%	
	3		000 ó 255	Blau 0–100%	
	4		000 ó 255	UV 0–100%	
	5	Steuerung des Stroboskopeffekts von PAR-Kannen und Derby	000 ó 127	Alle 0–100%	
			128 ó 239	Blitzfrequenz	
			240 ó 249	Musikgesteuerter Stroboskopeffekt	
			250 ó 255	Voll eingeschaltet	
	6	Motorrotation von Derby	000 ó 004	Anhalten	
			005 ó 127	Im Uhrzeigersinn rotieren, von langsam nach schnell	
			128 ó 133	Anhalten	
			134 ó 255	Entgegen dem Uhrzeigersinn rotieren, von langsam nach schnell	
	7	Steuerung des rot Lasers	000 ó 004	Verdunkelung des rot Lasers	
			005 ó 054	Rot Laser eingeschaltet	
			055 ó 255	Blitzfrequenz des rot Lasers, langsam bis schnell	
	8	Steuerung des grünen Lasers	000 ó 004	Verdunkelung des grünen Lasers	
			005 ó 054	Grüner Laser eingeschaltet	
			055 ó 255	Blitzfrequenz des grünen Lasers, langsam bis schnell	
	9	Geschwindigkeit der Laserbewegung	000 ó 004	Keine Bewegung	
			005 ó 127	Rotation im Uhrzeigersinn, langsam bis schnell	
			128 ó 133	Bewegung anhalten	
			134 ó 255	Rotation entgegen dem Uhrzeigersinn, langsam bis schnell	
	10	Blitzfrequenz (Weißer)	000 ó 054	Weißer Strobe-Dimmer, 0–100%	Note: Kanäle 10 und 11 nicht zu der Zeit verwendet werden Samen
			055 ó 255	Blitzfrequenz, weiß, langsam bis schnell	
	11	Blitzfrequenz (UV)	000 ó 054	UV Strobe-Dimmer, 0–100%	
			055 ó 255	Blitzfrequenz, UV, langsam bis schnell	

3 CH	Kanal	Funktion	Wert	Einstellung
1	LED-Betrieb		000 ó 009	Keine Funktion
			010 ó 119	Automatischer gemischter Modus 2, schnell bis langsam
			120 ó 229	Automatischer gemischter Modus 1, schnell bis langsam
			230 ó 234	Musikgesteuerter gemischter Modus 1
			235 ó 239	Musikgesteuerter gemischter Modus 2
			240 ó 255	Show-Einstellung, wenn die Kanäle 2 und 3 aktiviert sind
2	Betrieb		000 ó 009	Verdunkelung
			010 ó 019	NUR PAR-Kannen eingeschaltet, führen alle Shows der einzelnen PAR-Kannen aus
			020 ó 029	NUR Derby beleuchtung eingeschaltet
			030 ó 039	NUR Laser eingeschaltet
			040 ó 049	NUR Stroboskopeffekte eingeschaltet, führen alle Shows der einzelnen Strobes aus
			050 ó 059	NUR automatische PAR-Kannen und Derby beleuchtung
			060 ó 069	NUR automatische PAR-Kannen und Laser
			070 ó 079	NUR automatische PAR-Kannen und Stroboskopeffekte
			080 ó 089	NUR automatische Derby beleuchtung und Laser
			090 ó 099	NUR automatische Stroboskopeffekte und Derby beleuchtung
			100 ó 109	PAR-Kannen, Derby beleuchtung und Laser
			110 ó 119	PAR-Kannen, Derby beleuchtung und Stroboskopeffekte
			120 ó 129	PAR-Kannen, Laser und Stroboskopeffekte
			130 ó 139	Derby beleuchtung, Laser und Stroboskopeffekte
			140 ó 149	Musikgesteuerter PAR-Kannen-Effekt
			150 ó 159	Musikgesteuerter Derby-Effekt
			160 ó 169	Musikgesteuerter Lasereffekt
			170 ó 179	Musikgesteuerter Stroboskopeffekt
			180 ó 189	Musikgesteuerter PAR-Kannen- und Derby-Effekt
			190 ó 199	Musikgesteuerte PAR-Kannen und Laser
200 ó 209	Musikgesteuerter PAR-Kannen- und Stroboskopeffekt			
210 ó 219	Musikgesteuerter Derby und Laser			
220 ó 229	Musikgesteuerter Derby- und Stroboskopeffekt			
230 ó 239	Musikgesteuerte PAR-Kanne, Derby und Laser			
240 ó 244	Musikgesteuerter PAR-Kannen-, Derby- und Stroboskopeffekt			
245 ó 249	Musikgesteuerte PAR-Kannen-, Laser- und Stroboskopeffekte			
250 ó 255	Musikgesteuerte Derby-, Laser- und Stroboskopeffekte			
3	Geschwindigkeit des Auto-Programms		000 ó 255	Geschwindigkeit, wenn 050–099 im Kanal 2 sind

Betrieb der IRC-6 (Infrarot-Fernbedienung 6)

Anmerkung: Stellen Sie sicher, dass die IRC-6 direkt auf den Empfänger des Geräts gerichtet ist.



Auto-Modus

Mit dem Auto-Modus lassen sich die automatischen Programme des Geräts abspielen.

So schalten Sie den Auto-Modus ein:

- Drücken Sie halten Sie die auf der IRC-6 **<AUTO>** gedrückt.
- Wählen Sie zum Auswählen Ihres Auto-Programms eine beliebige Zahl zwischen **<0>** und **<9>**.
- Drücken Sie zum Erhöhen oder Senken der Programmgeschwindigkeit auf **<+>** oder **<->**.

Musiksteuerungs-Modus

Der Musiksteuerungs-Modus aktiviert die Reaktion des Geräts auf Musik.

So schalten Sie den Musiksteuerungs-Modus ein:

- Drücken Sie halten Sie die auf der IRC-6 **<SOUND>** gedrückt.
- Wählen Sie zum Auswählen Ihres Auto-Programms eine beliebige Zahl zwischen **<0>** und **<9>**.

Strobe-Modi

So stellen Sie das Stroboskopprogramm und die Blitzfrequenz ein:

- Drücken Sie halten Sie die auf der IRC-6 **<STROBE>** gedrückt.
- Drücken Sie auf **<0>**, damit alle Stroboskopeffekte aktiviert sind, oder wählen Sie zum Auswählen Ihres Auto-Programms eine beliebige Zahl zwischen **<0>** und **<9>**.
- Drücken Sie zum Erhöhen oder Senken der Blitzfrequenz auf **<+>** oder **<->**.
- Zum Ausschalten des Stroboskopeffekts drücken Sie auf erneut auf **<STROBE>**.

Programmarten definiert

Schaltfläche	Auto-Modus	Musiksteuerungs-Modus	Strobe-Modi
<0>	AM01	SM01	Alle der strobe weiß
<1>	AP01	SP01	Strobe weiß 1
<2>	AP02	SP02	Strobe weiß 2
<3>	AK01	SK01	Strobe weiß 3
<4>	AL01	SL01	Strobe weiß 4
<5>	APK1	SPK1	Strobe weiß 5
<6>	APL1	SPL1	Strobe UV 1
<7>	AKL1	SKL1	Strobe UV 2
<8>	APKL	SPKL	Strobe UV 3
<9>	AKLS	SKLS	Strobe UV 4

Weitere Funktionen

So stellen Sie die Ausblendrate der Farbausgabe der PAR-Kanne und des Derby ein:

- Drücken Sie halten Sie die auf der IRC-6 **<FADE>** gedrückt.
- Drücken Sie zum Erhöhen oder Senken der Ausblendrate auf **<+>** oder **<->**.

So stellen Sie die Helligkeit der Farbe oder des Stroboskopeffekts ein:

- Drücken Sie auf der IRC-6 auf **<%>**.

1 x drücken	2 x drücken	3 x drücken	4 x drücken	5 x drücken
100%	75%	50%	25%	0%

So verdunkeln Sie die Leuchten/Lichteffekte:

- Drücken Sie auf der IRC-6 auf **<BLACK OUT>**. Damit schalten Sie alle Leuchten aus, bis diese Taste erneut gedrückt wird.

Anmerkung: Die IRC-6 reagiert auf keine Eingabe, solange diese Verdunkelung aktiviert ist. Wenn die Fernbedienung auf das Drücken einer Taste nicht reagiert, drücken Sie auf **<BLACK OUT>**. Sie haben eventuell unabsichtlich auf BLACK OUT gedrückt und damit die Verdunkelung aktiviert.

Betrieb des Fußschalters

Über den beiliegenden drahtlosen Fußschalter haben Sie Zugriff auf voreingestellte Farben, Farbwechsel-Programme und Musiksteuerung über das Mikrofon des GigBAR 2.

Verwendung des Fußschalters:

1. Verbinden Sie den GigBAR 2 mit dem Stromnetz.
2. Heben Sie die drahtlosen Antennen am GigBAR 2 und Fußschalter an.
3. Drücken Sie auf Pedale Nr. 1 (Auto), um die Steuerung der Auto-Programme zu aktivieren. Wenn dies funktioniert, leuchte alle Kontrollleuchten im Auto-Modus (**AM01**).
4. Zum Aktivieren der gewünschten Funktion verwenden Sie bitte nachstehende Tabelle.



Pedale	Unteroption	Funktion	
1 (Auto)	1 x drücken	Kannen-, Derby-, Laser- und Stroboskopeffekte im Auto-Modus (AM01)	Für weitere Informationen siehe Menüstruktur
	2 x drücken	AP01	
	3 x drücken	AP02	
	4 x drücken	AK01	
	5 x drücken	AL01	
	6 x drücken	APK1	
	7 x drücken	APL1	
	8 x drücken	AKL1	
	9 x drücken	APKL	
	10 x drücken	AKLS	
2 (Musiksteuerung)	1 x drücken	Kannen-, Derby-, Laser- und Stroboskopeffekte im Musiksteuerungs-Modus (SM01)	Für weitere Informationen siehe Menüstruktur
	2 x drücken	SP01	
	3 x drücken	SP02	
	4 x drücken	SK01	
	5 x drücken	SL01	
	6 x drücken	SPK1	
	7 x drücken	SPL1	
	8 x drücken	SKL1	
	9 x drücken	SPKL	
	10 x drücken	SKLS	
3 (Farbe)	1 x drücken	Rot ohne Laser, kein Strobe	
	2 x drücken	Grün ohne Laser, kein Strobe	
	3 x drücken	Blau ohne Laser, kein Strobe	
	4 x drücken	UV ohne Laser, kein Strobe	
	5 x drücken	Gelb ohne Laser, kein Strobe	
	6 x drücken	Pink ohne Laser, kein Strobe	
	7 x drücken	Blau ohne Laser, kein Strobe	
	8 x drücken	Rot-pink ohne Laser, kein Strobe	
	9 x drücken	Kobaltblau ohne Laser, kein Strobe	
	10 x drücken	Weiß ohne Laser, kein Strobe	
4 (Verdunkelung)	k.A.	Schaltet alle Leuchten sofort AUS	



Der GigBAR 2 Fußschalter funktioniert in jedem Modus einwandfrei, die max. Entfernung des Fußschalters bei freier Sicht beträgt 30,5 m. Vor dem Gebrauch des Fußschalters muss WiFi™ am GigBAR 2 aktiviert sein.

Batterie für Fußschalter Austausch der Batterie

Im drahtlosen Fußschalter ist unter der Batterieabdeckung auf der Unterseite des Geräts eine 12-Volt-Batterie, die bei Bedarf ausgetauscht werden kann.

So wechseln Sie die Batterie im drahtlosen Fußschalter aus:

1. Schalten Sie den Leistungsschalter in die Position "OFF".
2. Nehmen Sie die Batterieabdeckung ab, indem Sie mit einem Kreuzschlitzschraubendreher die 2 Schrauben entfernen.
3. Nehmen Sie die alte Batterie aus dem Gehäuse und ziehen Sie die Drahtanschlüsse ab.
4. Ersetzen Sie diese durch eine 12-Volt-Batterie und überprüfen Sie, ob Sie die positive (+) und negative (-) Ader jedes Kabels richtig miteinander verbunden haben.
5. Setzen Sie die Batterie in das Batteriefach ein und stecken Sie die Batterieabdeckung wieder auf.
6. Schrauben Sie die Batterieabdeckung mit einem Kreuzschlitzschraubendreher N. 2 fest.



Die Schrauben NICHT zu fest anziehen.

5. TECHNISCHE INFORMATIONEN

Wartung des Geräts

Staubablagerungen reduzieren die Lichtabgabe und können zu Überhitzung führen. Zum Erhalt der optimalen Leistungsfähigkeit sollten Sie das Gerät mindestens zweimal pro Monat reinigen. Allerdings hängt die Häufigkeit der Reinigungen von der Nutzung und den Umgebungsbedingungen ab.

Zum Reinigen des Geräts befolgen Sie die Anweisungen unten:

1. Trennen Sie das Gerät vom Stromnetz.
2. Warten Sie, bis das Gerät auf Raumtemperatur abgekühlt ist.
3. Verwenden Sie einen Staubsauger (oder Druckluft) sowie eine weiche Bürste, um den Staub auf der Oberfläche des Geräts und in den Lüftungsbereichen zu entfernen.
4. Reinigen Sie das Glas der Austrittsöffnung (Laser-Austrittsöffnung) mit einer milden Glasreinigerlösung ohne Ammoniak oder mit Isopropylalkohol.
5. Geben Sie die Lösung direkt auf ein weiches, faserfreies Baumwolltuch oder Linsenreinigungstuch.
6. Wischen Sie sanft Schmutz oder Ablagerungen in Richtung der Außenkanten des Glases.
7. Polieren Sie sorgfältig diese transparente Oberfläche, bis alle Schmutzfilme und Fasern verschwunden sind.



Trocknen Sie die optischen Oberflächen immer sorgfältig nach der Reinigung.



Drehen Sie das Gebläse nicht mit Druckluft, da dies zu Schäden führen kann.

6. TECHNISCHE DATEN

Abmessungen und Gewicht

GigBAR 2	Länge	Breite	Höhe	Gewicht
	46,7 in. (1.185 mm)	4,3 in. (110 mm)	15,2 in. (387 mm)	14.4 lb (6,6 kg)
Stativ	Mindesthöhe	Max. Höhe	Beinbreite (Aufstellfläche)	Größe
	4,8 ft. (1,5 m)	8,3 ft. (2,5 m)	3,9 ft. (1,2 m)	1,5 in. (37,4 mm)

Hinweis: Abmessungen in Zoll sind auf die nächste Dezimalstelle gerundet.

Leistungsaufnahme

Eingangsspannung	Bereich	Spannungsschalter
Vorschaltgerät (integriert)	100-240 VAC, 50/60 Hz	autom. Spann.-Erkennung
Parameter	230 V / 50 Hz	120 V, 60 Hz
Stromverbrauch	64 W	68 W
Betriebsstromstärke	0.5 A	1 A
Stromstärke für Serienschaltung (Geräte)	10,4 A (15 Geräte)	10.4 A (8 units)
Sicherung	T 1,6 A / 250 V	T 1.6 A, 250 V
I/O-Eingangsbuchse	GB/Europa	US/Worldwide
Stromeingangsbuchse	IEC	IEC
Stromausgangsbuchse	IEC	Edison
Netzkabelstecker	Lokaler Stecker	Edison (US)

Leuchtquelle

Laser	Typ	Leistungsaufnahme	Wellenlänge:
	Laser (grün)	30 mW	532 nm
	Laser (rot)	100 mW	650 nm

LED

Derby beleuchtung	Typ	Leistungsaufnahme	Betriebsdauer
	LED	2 W	50.000 Stunden
	Farbe	Menge	Strom
	rot	2	1,7 mA
	grün	2	1,7 mA
	blau	2	1,7 mA

Kannen

	Typ	Leistungsaufnahme	Betriebsdauer
	LED	2,5 W	50.000 Stunden
	Farbe	Menge	Strom
	Dreifarbig, RGB+UV	6	1,1 A

Stroboskopeffekte

	Typ	Leistungsaufnahme	Betriebsdauer
	LED	1,8 W	50.000 Stunden
	Farbe	Menge	Strom
	weiß+UV	4	600 mA

Fotooptik	Parameter	Wert	
	Abdeckungswinkel (Laser)	93°	
	Abdeckungswinkel (Derby)	114°	
	Bildfeldwinkel (Strobe)	18°	
	Bildfeldwinkel (Kannen)	24°	
	Abstrahlwinkel (Strobe)	8°	
	Abstrahlwinkel (Kannen)	13°	
	Blitzfrequenz (Stroboskop)	0-18 Hz	
	Beleuchtungsstärke bei 2 m (Strobe)	86 Lux (pro Zone)	
	Beleuchtungsstärke bei 2 m (Kannen)	1.205 Lux (pro Kopf)	
Wärmeentwicklung	Laser Max. externe Temp.	Kühlsystem	
	95 °F (35 °C)	Gebläse- und konvektionsgekühlt	
Fußschalter	Betriebsfrequenz	Max. Entfernung bei freier Sicht:	Wechselstrom
	433 MHz	100 ft. (30,5 m)	12 V, 23 A Batterie
DMX	I/O-Buchsen	Anschlusstyp	Kanalbereich
	3-polig XLR	Steckdosen	3, 11 oder 23
Bestellung	Artikelnummer	Artikelcode	UPC-Code
	GIGBAR20	10051204	781462215521



REKLAMATIONEN

Wenn Sie Unterstützung benötigen oder ein Gerät zurückgeben möchten:

- Wenn Sie Ihren Wohnsitz in den USA haben, wenden sich an Chauvet World Headquarters. (Siehe [Kontaktieren Sie uns](#))
- Wenn Sie Ihren Wohnsitz in GB oder Irland haben, wenden Sie sich an Chauvet Europe Ltd. (Siehe [Kontaktieren Sie uns](#))
- Wenn Sie Ihren Wohnsitz in Mexiko haben, wenden Sie sich an Chauvet Mexiko. (Siehe [Kontaktieren Sie uns](#))
- Wenn Sie Ihren Wohnsitz in Benelux haben, wenden Sie sich an Chauvet Europe BVBA. (Siehe [Kontaktieren Sie uns](#))
- Wenn Sie in einem anderen Land leben, wenden Sie sich NICHT an Chauvet. Wenden Sie sich stattdessen an Ihren lokalen Lieferanten. Unter www.chauvetlighting.com finden Sie die Lieferanten außerhalb der USA, GB, Irlands, Mexikos, und Benelux.



Kunden außerhalb der USA, GB, Irland, Mexiko, oder Benelux wenden sich an den aufgeführten Lieferanten und befolgen die Anweisungen zum Zurücksenden der Geräte von Chauvet. Um zu den Kontaktdaten zu gelangen, besuchen Sie bitte unsere Website unter www.chauvetlighting.com.

Nehmen Sie telefonisch Kontakt mit dem Technischen Support von Chauvet auf, und fordern Sie vor dem Verschicken eine Warenrücksendegenehmigungsnummer (RMA) an. Seien Sie darauf vorbereitet, die Modellnummer, Seriennummer und eine kurze Beschreibung des Grundes für das Zurückschicken angeben zu können.

Senden Sie die Ware frei, in der Originalverpackung und mit den originalen Zubehörteilen zurück. Chauvet lässt keine Retouren abholen.

Schreiben Sie die RMA gut leserlich auf die Verpackung. Chauvet weist alle Waren zurück, die keine RMA besitzen.



Schreiben Sie die RMA auf ein ordnungsgemäß angebrachtes Hinweisschild. Die RMA NICHT DIREKT auf den Karton schreiben.

Bevor Sie die Ware versenden, schreiben Sie klar und deutlich folgende Informationen auf einen Bogen Papier und legen ihn in die Verpackung.

- Ihr Name
- Ihre Adresse
- Ihre Telefonnummer
- RMA-Nummer
- Eine kurze Problembeschreibung

Achten Sie auf eine sachgemäße Verpackung der Ware. Schäden, die durch unsachgemäßes Verpacken entstanden sind, liegen in Ihrer Verantwortung. Eine FedEx-Verpackung oder doppelte Verpackung wird empfohlen.



Chauvet behält sich das Recht vor, nach eigenem Ermessen über Reparatur oder Ersatz der Ware zu befinden.

1. VOORDAT U BEGINT

Wat is er inbegrepen

- GigBAR 2
- Stroomsnoer
- 2 L-beugels
- Draadloze voetschakelaar met accu
- VIP Gear Bag
- Vergrendelingsleutel
- Op afstand bediende vergrendelingsstekker
- Driepootstandaard
- Driepoot draagzak
- Garantiekaart
- Gebruikershandleiding

Beschrijving

De GigBAR 2 is het ultieme alles-in-een systeem met twee RGB LED roterende derby-effecten, twee quadkleurige LED PAR's met hoog vermogen, een groen laser en een wit/UV stroboscoopeffect met meervoudige uitvoer. Zorgt voor eenvoudige kleur- en programmabediening van elk van de individueel verstelbare koppen. IRC-6 afstandsbediening wordt apart verkocht.

Claims




Als de doos of de inhoud (het product en meegeleverde accessoires) beschadigd zijn door de verzending of tekenen van ruwe behandeling vertonen, laat dit dan onmiddellijk weten aan de vervoerder en niet aan Chauvet. Als u dit niet tijdig doet, kan uw claim bij de vervoerder verlopen. Daarnaast moet u de verpakking en al het verpakkingsmateriaal bewaren voor inspectie.

Voor andere problemen, zoals missende componenten of onderdelen, schade die niet is veroorzaakt door de verzending, kunt u binnen 7 dagen na ontvangst een claim indienen bij Chauvet.

Conventies van deze handleiding

Conventie	Betekenis
1–512	Een reeks waarden
50/60	Een set waarden waarvan er slechts één gekozen kan worden
Instellingen	Een menuoptie die niet gewijzigd kan worden
Menu > Instellingen	Een reeks menuopties die gevolgd moet worden
<ENTER>	Een toets die op het bedieningspaneel van het product moet worden ingedrukt
ON	Een waarde die ingevuld of geselecteerd moet worden

Symbolen

Symbol	Betekenis
	Kritieke installatie-, configuratie- of bedieningsinformatie. Het negeren van deze informatie kan ervoor zorgen dat het product niet werkt, beschadigd raakt of leidt tot letsel van de gebruiker.
	Belangrijke installatie- of configuratie-informatie. Als deze informatie niet wordt gebruikt kan het product niet correct functioneren.
	Nuttige informatie.

Disclaimer

Chauvet gelooft dat de informatie in deze handleiding in alle aspecten accuraat is. Chauvet aanvaardt echter geen verantwoordelijkheid en wijst alle aansprakelijkheid af jegens enige partij voor enig verlies, schade of storingen die worden veroorzaakt door fouten of omissies in dit document, ongeacht of dergelijke fouten of omissies het gevolg zijn van nalatigheid, een ongeval of enige andere oorzaak. Chauvet behoudt zich het recht voor om de inhoud van dit document te wijzigen zonder enige verplichting om enig persoon of bedrijf van een dergelijke herziening te op de hoogte te stellen. Chauvet is echter niet verplicht dergelijke herzieningen te maken. Download de nieuwste versie van www.chauvetlighting.com.

De auteursrechtelijk beschermde werken in deze handleiding, waaronder, maar niet beperkt tot, alle ontwerpen, teksten en afbeeldingen, zijn eigendom van Chauvet.

© Copyright 2016 Chauvet & Sons, LLC. Alle rechten voorbehouden.

Elektronisch uitgegeven door Chauvet in de Verenigde Staten van Amerika.

CHAUVET, het Chauvet-logo en "GigBAR 2" zijn geregistreerde handelsmerken of handelsmerken van Chauvet & Sons, LLC (d/b/a Chauvet en Chauvet Lighting) in de Verenigde Staten en andere landen. Hierin genoemde andere bedrijfs- en productnamen en logo's kunnen handelsmerken zijn van hun betreffende bedrijven.

Veiligheidsvoorschriften

De Veiligheidsvoorschriften bevatten belangrijke veiligheidsinformatie met betrekking tot het lasersysteem. Zorg dat u alle instructies hebt gelezen en begrepen voordat u de laser voor de eerste keer inschakelt. Het kennen van deze veiligheidsinstructies is cruciaal voor het vermijden van oogletsel door de laser en het overtreden van de wet. Bewaar deze gebruikershandleiding voor toekomstige naslag op een veilige plek.



STOP EN LEES EERST ALLE VEILIGHEIDSgegevens MET BETREKKING TOT DE LASER



- Lasers kunnen gevaarlijk zijn en hebben unieke veiligheidsvoorschriften. Als lasers onjuist worden gebruikt kan dit leiden tot permanent oogletsel en blindheid. Let goed op elke veiligheidsKENMERK en elke WAARSCHUWING in deze gebruikershandleiding. Lees VOORDAT u het apparaat gebruik zorgvuldig alle instructies.
- Sluit het product altijd aan op een geaard circuit om elektrocutierisico's uit te sluiten.
- Ontkoppel het product vóór het schoonmaken altijd eerst van de voedingsbron.
- Vermijd directe blootstelling van het oog aan de lichtbron als het product in werking is.
- Zorg ervoor dat het stroomsnoer niet knikt of beschadigd.
- Koppel het product nooit los van het stopcontact door aan het snoer te trekken of te rukken.
- Als het product boven het hoofd wordt geplaatst, moet u het altijd met een veiligheidskabel vastmaken aan een bevestigingsmiddel.
- Controleer dat er tijdens gebruik geen ontvlambare materialen dichtbij het product staan.
- Raak de behuizing van het product tijdens gebruik niet aan, omdat het zeer warm kan worden.



- Dit product is niet bedoeld voor permanente installatie.
- Controleer altijd of de spanning van het stopcontact waar u het product op aansluit binnen het bereik is dat staat vermeld op de sticker of het achterpaneel van het product.
- Het product is alleen geschikt voor gebruik binnenshuis! (IP20) Om het risico op brand en schokken te vermijden mag u het product niet blootstellen aan regen of vocht.
- Installeer het product op een locatie met voldoende ventilatie, op ten minste 50 cm afstand van aangrenzende oppervlakken.
- Zorg ervoor dat de ventilatiesleuven op de behuizing van het product nooit geblokkeerd worden.
- Sluit het product nooit aan op een dimmer.
- Gebruik altijd de bevestigingsbeugel om het product te dragen.
- Schakel het product niet kort na elkaar aan/uit. Dit verlaagt de levensduur van de laserdiode.
- Schud het product niet door elkaar. Vermijd brute kracht bij het monteren of gebruiken van dit product.
- Gebruik ALTIJD een veiligheidskabel bij het boven het hoofd plaatsen van het product.
- De omgevingstemperatuur bedrijfstemperatuur voor de laser 59 °F tot 95 °F (15 °C tot 35 °C). Gebruik dit product niet buiten dit bereik.
- Stop direct met het gebruik van het product in geval van ernstige gebruiksproblemen.
- Repareer het product nooit zelf. Reparaties die worden uitgevoerd door onopgeleide personen kunnen leiden tot schade of storingen. Neem contact op met het dichtstbijzijnde bevoegde technische hulpcentrum.
- Sluit om onnodige slijtage te verhinderen en de levensduur te verlengen tijdens periodes van niet-gebruik het product via stroomonderbreker of de stekker volledig van stroom af



LET OP! Het gebruik van bedieningselementen, wijzigingen of procedures anders dan DIE zijn gespecificeerd IN DEZE GEBRUIKERSHANDLEIDING, kan leiden tot blootstelling aan gevaarlijke straling.



- Chauvet vereist dat er voor extra stabiliteit zandzakken worden geplaatst op de voet van de standaard.
- GA NIET voorbij het stoppunt dat op de mast staat gedrukt.



- De knop bij het insertiepunt van de driepootmontage NIET te hard aanspannen, aangezien dit de mast van de standaard kan beschadigen.
- Gebruik deze standaard NIET anders dan waarvoor bedoeld.



- Vermijd direct oogcontact met het laserlicht. Nooit uw ogen of die van anderen opzettelijk blootstellen aan direct laserlicht.
- Dit laserproduct kan mogelijk direct oogletsel of blindheid veroorzaken als het laserlicht direct op de ogen valt.
- Het is illegaal en gevaarlijk om deze laser direct in publieksgebieden te schijnen, waar het publiek of ander personeel directe laserstralen of heldere reflecties in hun ogen kunnen krijgen.
- Het is illegaal om een laser op een vliegtuig te richten.
- Het gebruik van bedieningselementen, wijzigingen of procedures anders dan die zijn gespecificeerd in deze gebruikershandleiding, kan leiden tot blootstelling aan gevaarlijke straling.
- **Probeer het product NOOIT zelf te repareren. Reparaties en onderhoud moeten worden uitgevoerd door een bevoegd monteur. Onbevoegde aanpassingen aan het product zijn om veiligheidsredenen verboden!**



- **Bewaar deze gebruikershandleiding voor toekomstige naslag. Wanneer het product eigendom wordt van een andere gebruiker, moet dit document bij de laser worden bewaard.**

Niet-bevestigde waarschuwing op de behuizing

- Dit apparaat bevat intern laserapparaten met hoog vermogen.
- Dit apparaat schakelt niet automatisch uit of blijft niet uit wanneer u de behuizing opent (niet vergrendelde behuizing).
- De laser niet gebruiken als de behuizing open is, door mogelijke blootstelling aan onveilige laserstralingsniveaus.
- Het vermogen van de laser, dat toegankelijk is als het apparaat open is tijdens gebruik, kan directe blindheid, brandwonden en branden veroorzaken.

Veiligheids- voorschriften voor de laser



STOP EN LEES EERST ALLE VEILIGHEIDSVORSCHRIFTEN MET BETREKKING TOT DE LASER HIERONDER



Laserlicht verschilt van elk ander licht. Laserlicht kan oogletsel veroorzaken als het product niet goed is ingesteld en niet goed wordt gebruikt. Laserlicht is duizend maal geconcentreerder dan elk ander soort licht. Deze concentratie kan door het verbranden van het netvlies direct oogletsel veroorzaken (het lichtgevoelige deel aan de achterzijde van het oog). De warmte van laserlicht is niet voelbaar, maar het is voldoende om gebruikers van het product en het publiek te verwonden of te verblinden. Zelfs zeer kleine hoeveelheden laserlicht kunnen op grote afstand nog gevaarlijk zijn.

NIET in de straal kijken, op welk moment dan ook. Klasse 3R-laserproduct dat laserstralen uitzendt.

Richt het apparaat **NIET** op iemands ogen.

-
- Gebruik de laser niet zonder eerst alle veiligheidsinformatie en technische gegevens in deze handleiding gelezen en begrepen te hebben.
 - Alle lasereffecten moeten ALTIJD worden opgesteld en geplaatst zodat het laserlicht ten minste 3 meter boven de vloer is waar mensen op staan. Zie de paragraaf [Correct gebruik](#) van deze handleiding.
 - Na instelling, en voor openbaar gebruik, moeten de lasers getest worden om te controleren of ze goed functioneren. Dit product niet gebruiken als er een storing is gedetecteerd.
 - De laser NIET gebruiken als het slechts een of twee bundels emitteert, in plaats van tientallen/honderden, aangezien dit aangeeft dat er schade is aan het optische element van het diffractierooster en emissie van laserniveaus hoger dan Klasse 3R mogelijk maakt.
 - Richt lasers NOOIT op mens of dier.
 - Kijk NOOIT direct in de laseropening of laserstraal.
 - Richt lasers NOOIT op gebieden waar mensen er aan kunnen worden blootgesteld.
 - Richt lasers NOOIT op sterk reflecterende oppervlakken, zoals ramen, spiegels en glimmend metaal. Zelfs laserreflecties kunnen gevaarlijk zijn.
 - Richt een laser nooit op een vliegtuig; controleer uw plaatselijke wetgeving op restricties voor het gebruik van deze laser.
 - Richt nooit oneindige laserstralen op de open lucht.
 - Stel de optische uitgangselementen (opening) niet bloot aan agressieve chemische schoonmaakmiddelen.
 - De laser niet gebruiken als de behuizing is beschadigd, open is, of als de optische onderdelen op wat voor wijze dan ook beschadigd lijken.
 - De behuizing van de laser nooit openen. Het hoge vermogen van de laser binnen de beschermende behuizing kan brand veroorzaken of de huid verbranden en zal leiden tot direct oogletsel.
 - Laat dit product nooit onbemand draaien.
 - De wettelijke vereisten voor het gebruik van laserproducten voor amusement verschillen van land tot land. De gebruiker is zelf verantwoordelijk voor de wettelijke vereisten in de locatie/het land van gebruik.



LET OP! Gebruik dit apparaat niet op een andere wijze dan is vermeld in deze gebruikershandleiding. Het niet volgen van de instructies zal de garantie doen vervallen, kan het product beschadigen of de gebruiker of het publiek verwonden.

LET OP! Dit product mag niet worden afgevoerd met het huishoudelijk afval. Neem contact op met uw plaatselijke afvalbeheerdienst voor regelgeving met betrekking tot elektronisch afval in uw gebied.

Blootstellingswaar VERMIJD DIRECTE BLOOTSTELLING AAN LASERLICHT**schuwing van de laser**

Verdere richtlijnen en veiligheidsprogramma's voor het veilige gebruik van lasers zijn te vinden in de ANSI Z136.1 Standaard "voor het veilige gebruik van lasers", beschikbaar bij het Laser Institute of America: www.laserinstitute.org. Vele plaatselijke overheden, bedrijven, agentschappen, legers en andere instanties vereisen allemaal dat lasers worden gebruikt onder de richtlijnen van ANSI Z136.1. De richtlijn voor laservertoning kan worden verkregen via de International Laser Display Association: www.laserist.org.

Emissiegegevens van de laser

Zoals gemeten onder IEC-meetomstandigheden voor classificatie

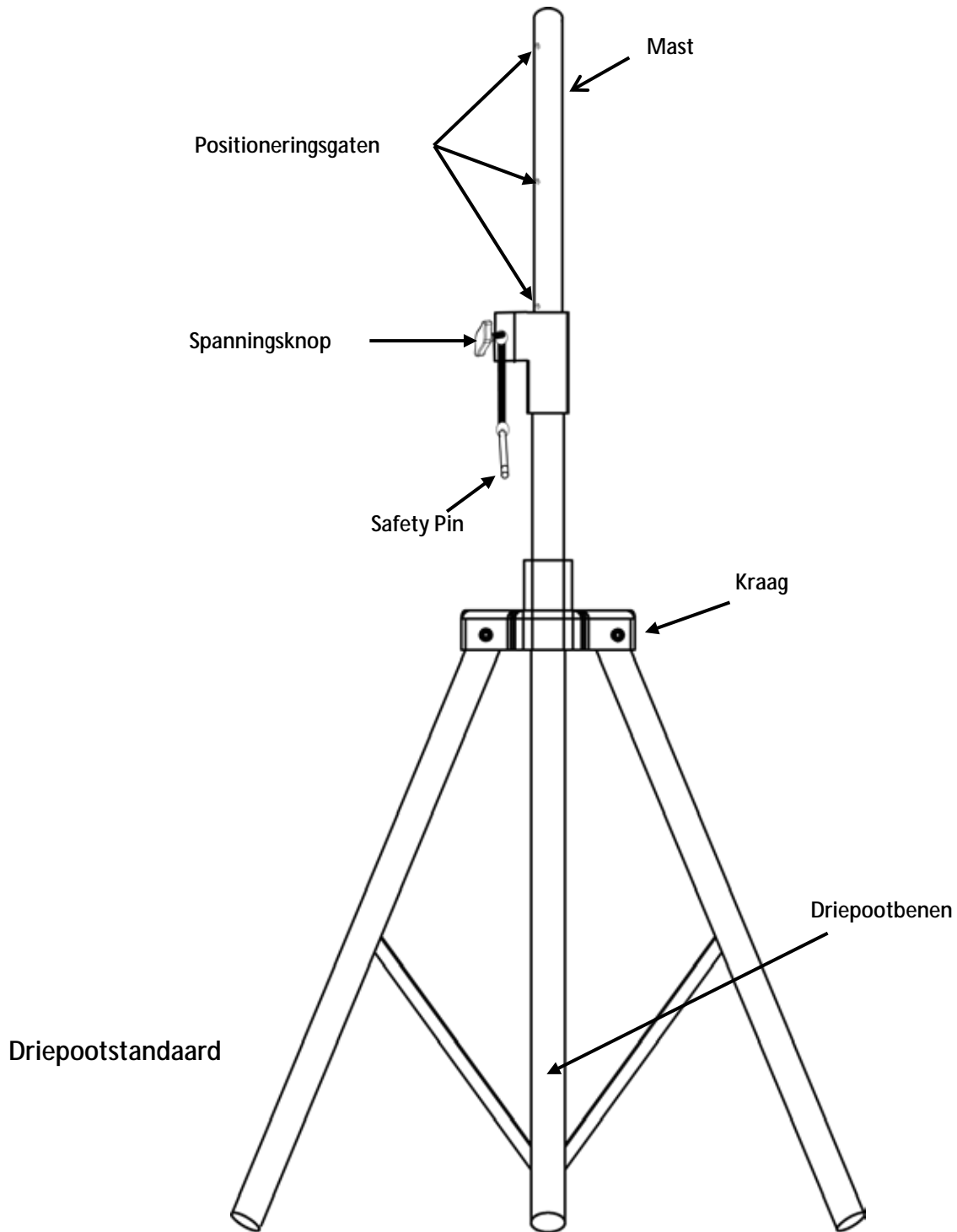
Laserclassificatie	Klasse 3R
Groene lasermedium	DPSS Nd:YVO4, 532 nm/30 mW
Rood lasermedium	LD GaAlAs, 650 nm/100 mW
Diameter van de straal	<5 mm bij de opening
Pulsgegevens	Alle pulsen < 4 Hz (>0,25 sec)
Divergentie (elke straal)	<2 mrad
Divergentie (totale licht)	<160 graden
Laservermogen van elke straal vanaf de opening	<5 mW

Nalevingsverklaring van de laser

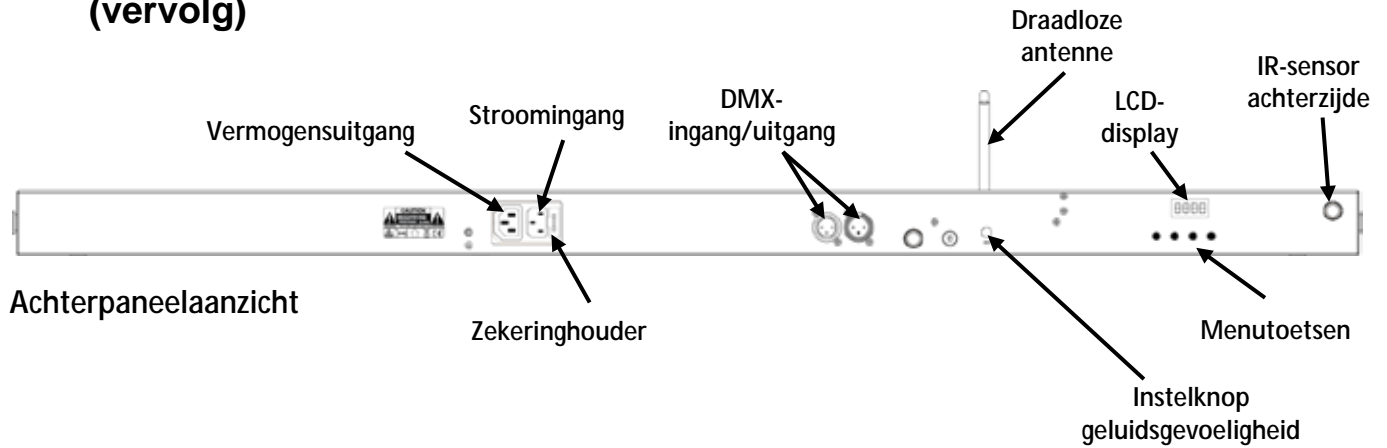
Dit laserproduct voldoet aan EN/IEC 60825-1 Ed 2, 2007-03, en U.S. FDA/CDRH FLPPS via de voorwaarden van Laser Notice nr. 50 gedateerd op 24 juni 2007. Dit laserapparaat is geclassificeerd als 3R. (Klasse 3R is het internationale equivalent is van U.S. Class IIIa.) Er is geen onderhoud nodig om dit product in overeenstemming te houden van de laserprestatienormen.

2. INLEIDING

Overzicht

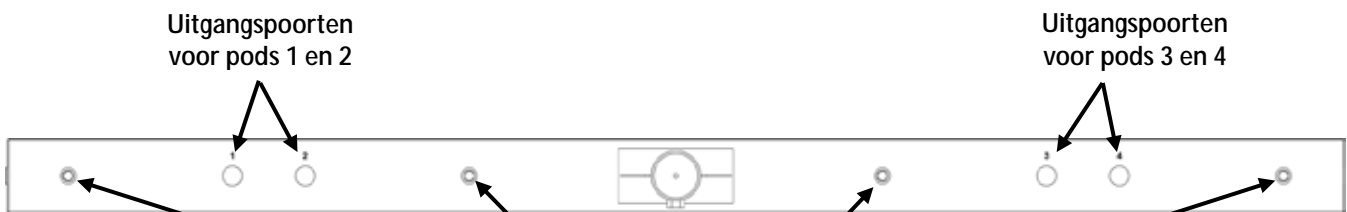


Overzicht (vervolg)

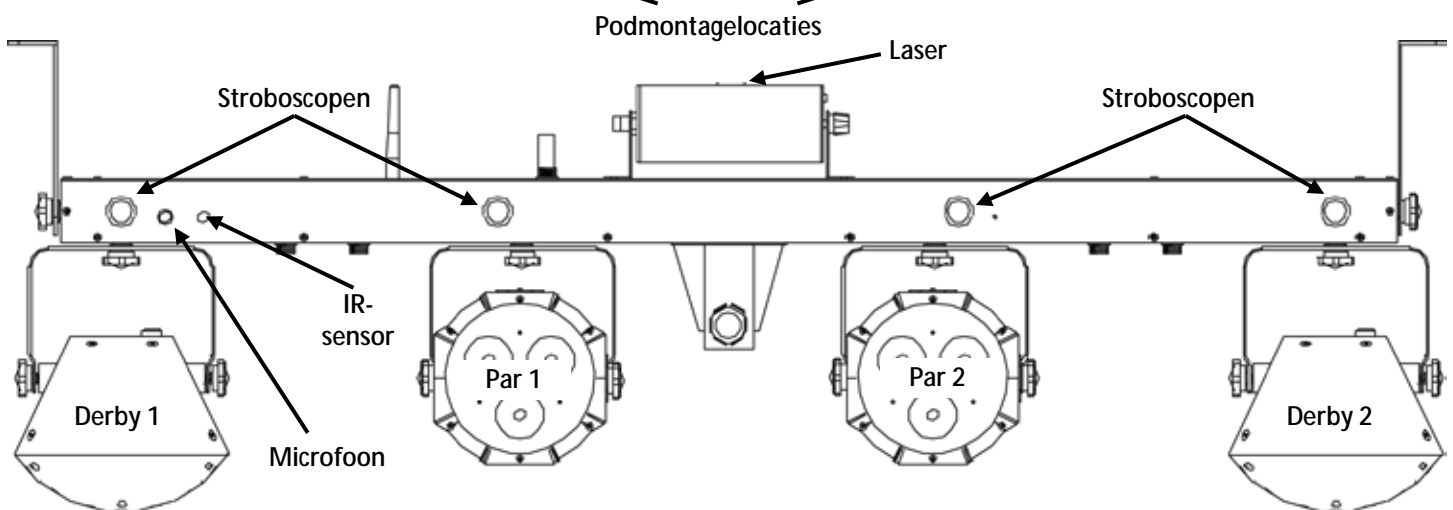


Achterpaneelaanzicht

Detail sleutelschakelaar

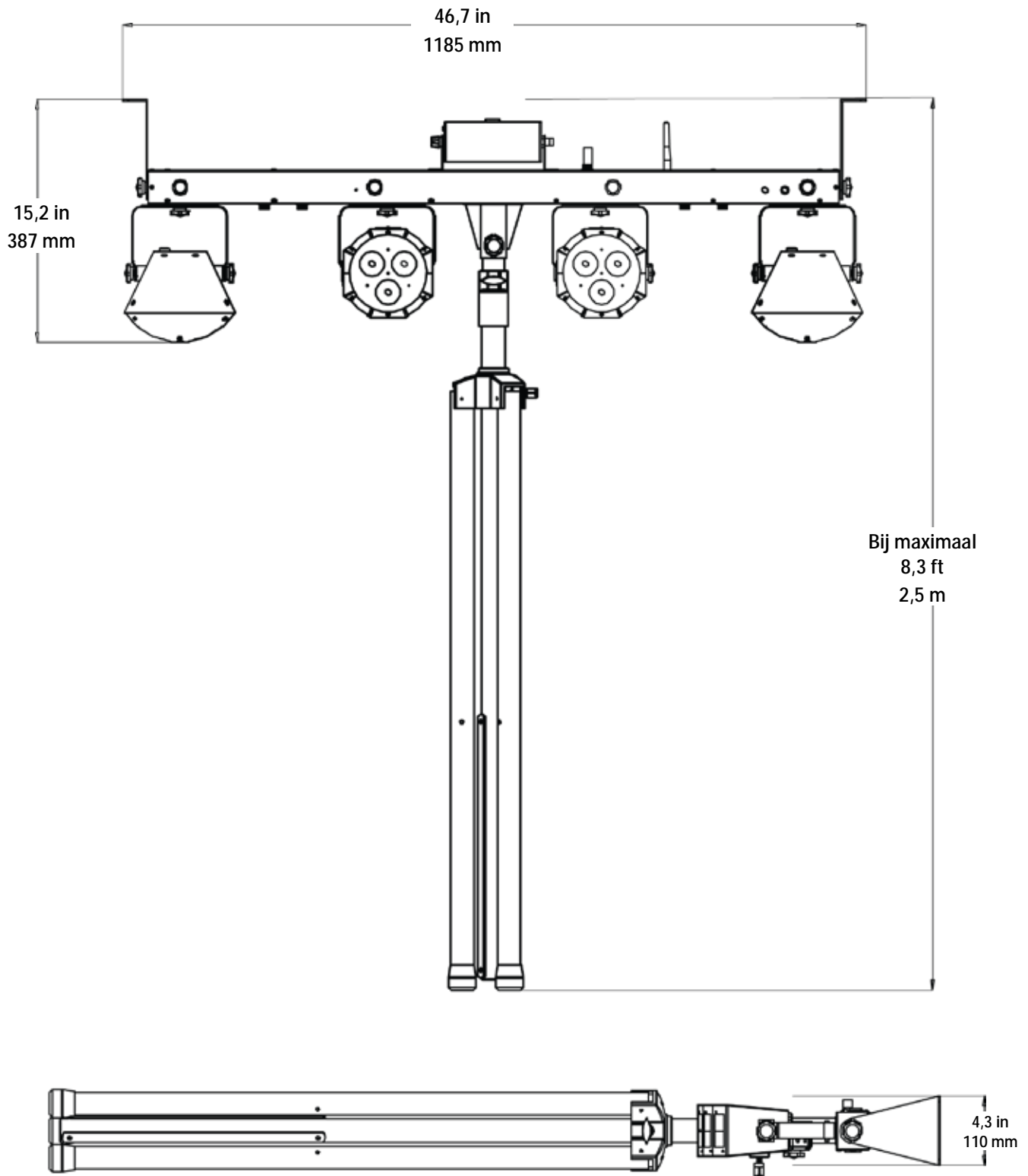


Onderpaneelaanzicht



Vooraanzicht

Afmetingen



3. INSTELLING

AC-stroom De GigBAR 2 heeft een voeding met automatisch bereik, die kan werken met een ingangsspanning van 100 tot 240 VAC, 50/60 Hz.

Om de vermogensvereisten te bepalen van het product (aardlekschakelaar, stopcontact en bedrading), moet de huidige waarde worden gebruikt die staat vermeld op het etiket dat is bevestigd aan het achterpaneel van het product of moet [Technische specificaties](#) in deze handleiding geraadpleegd worden. Het gemelde spanningsvermogen geeft het gemiddelde stroomverbruik aan onder normale omstandigheden.



- **Sluit het product altijd aan op een beschermd circuit (aardlekschakelaar of zekering). Zorg ervoor dat het product voldoende elektrisch is geaard om het risico op elektrocutie of brand te vermijden.**
- **Sluit om onnodige slijtage te verhinderen en de levensduur te verlengen tijdens periodes van niet-gebruik het product via stroomonderbreker of de stekker volledig van stroom af.**



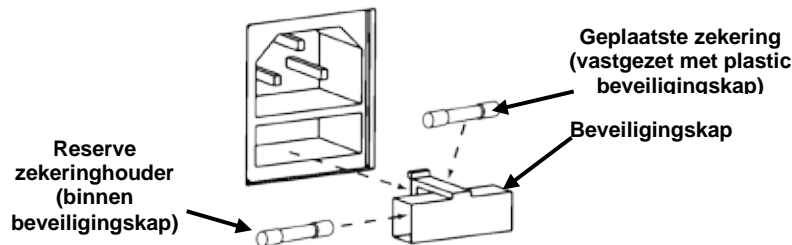
Sluit het product nooit aan op een rheostat (variabele weerstand) of dimmercircuit, zelfs als het rheostat- of dimmerkanaal alleen dient als een 0 tot 100%-schakelaar dient.

Vervangen van de zekering

1. Ontkoppel het apparaat van de stroom.
2. Wig de punt van een platte schroevendraaier in de sleuf van de zekeringhouder.
3. Druk de zekeringhouder uit de behuizing.
4. Haal de doorgebrande zekering uit de houder.
5. Vervangen met een zekering van hetzelfde type en met dezelfde waarde.
6. Plaats de zekeringhouder terug en steek de stekker er weer in.



Ontkoppel het product van de stroom uit voordat u de zekering vervangt.



Het product komt niet met een reservezekering; de beveiligingskap heeft echter wel ruimte voor een reservezekering.



Vervang een doorgebrande zekering altijd met een zekering van hetzelfde type en met dezelfde waarde.

Vergrendelingsstekker Dit product heeft een ingang voor een vergrendelingsschakelaar die op afstand bediend kan worden, om de laseruitvoer in geval van nood uit te schakelen. U kunt de meegeleverde op afstand bediende vergrendelingsstekker gebruiken om uw eigen vergrendelingsschakelaar te bouwen.

Power Linking Power linking houdt in dat producten in serie aan elkaar gekoppeld zijn via hun stroomingangs- en stroomuitgangstekkers, zodat meerdere producten vanuit één stopcontact kunnen worden gevoed.

Bij 230 V kunnen tot 15 GigBAR 2-producten met power link gekoppeld worden.

Bij 120 V kunnen tot 8 GigBAR 2-producten met power link gekoppeld worden.



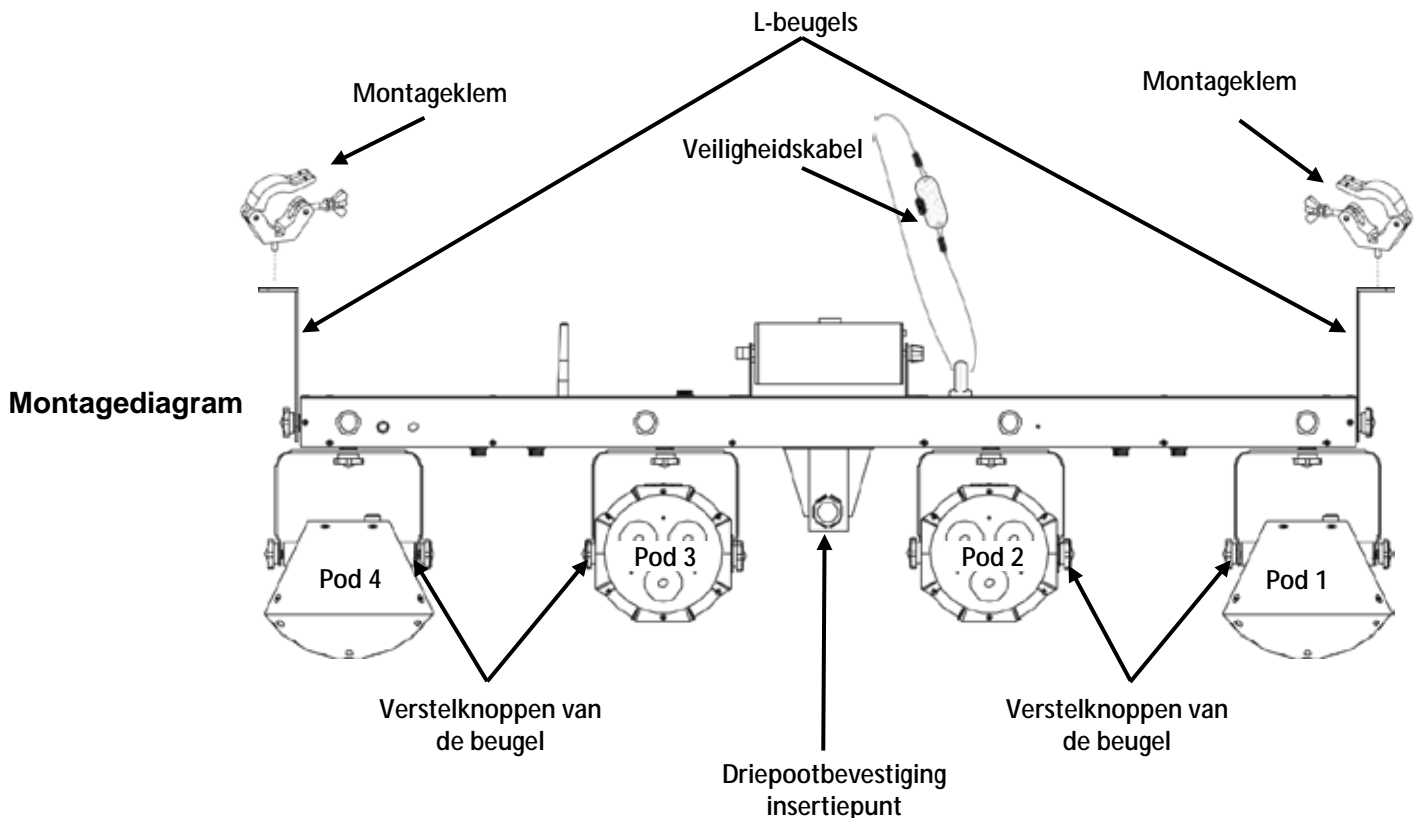
Koppel op 230 V niet meer dan 15 GigBAR 2-producten met power link.

Koppel op 120 V niet meer dan 8 GigBAR 2-producten met power link.

Montage Vóór montage van het product moet u de veiligheidsaanbevelingen lezen en volgen die zijn aangegeven in de [Veiligheidsvoorschriften](#).

Oriëntatie De GigBAR 2-producten moeten worden gemonteerd in een positie volgens de planning voor veilig lasergebruik. Daarnaast moet er in voldoende ventilatie rond het product zijn voorzien.

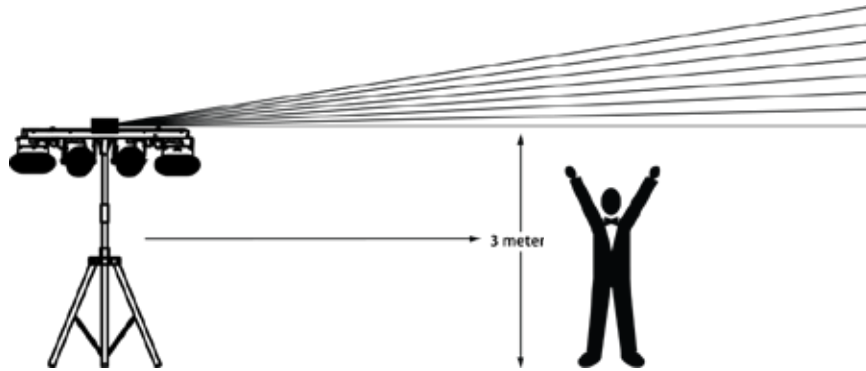
- Opbouw**
- Vóór het nemen van een besluit over de locatie van het product, moet u er altijd voor zorgen dat er eenvoudige toegang is tot het product, voor onderhoud en programmering.
 - Controleer of de constructie of het oppervlak waar u het product op monteert het gewicht van het product kan dragen (zie [Technische specificaties](#)).
 - Gebruik altijd een veiligheidskabel wanneer het product boven lichaamshoogte wordt gemonteerd (zoals **CH-05** van Chauvet). Monteer het product stevig aan een bevestigingspunt, zoals een verhoogd platform of een spant.
 - De verstelknoppen van de beugel zorgen voor directionele verstelling bij het richten van het product naar de gewenste hoek. Maak de beugelknoppen alleen met de hand los of vast. Het gebruik van gereedschap kan de knoppen beschadigen.
 - Bij het monteren van de driepoot moet u ervoor zorgen dat de standaard goed is vastgezet en genivelleerd.



Correct gebruik

Dit product is alleen geschikt voor gebruik boven lichaamshoogte. Voor veiligheidsdoeleinden raadt Chauvet aan om lichteffectproducten te bevestigen aan stabiele verhoogde platformen of stevige overhangende steunen, met geschikte hangklemmen. Gebruik in alle gevallen veiligheidskabels. Haal geschikte bevestigingsapparatuur bij uw verlichtingsleverancier.

Internationale regelgeving omtrent veiligheid rond lasers, vereist dat laserproducten moeten worden bediend op de wijze die hieronder is geïllustreerd, met minimaal 3 meter verticale scheiding tussen de vloer en het laagste laserlicht. Daarnaast is 3 meter horizontale scheiding vereist tussen laserlicht en het publiek of ruimtes met publiek.



LET OP! Het gebruik van bedieningselementen, wijzigingen of procedures anders dan DIE zijn gespecificeerd IN DEZE GEBRUIKERSHANDLEIDING, kan leiden tot blootstelling aan gevaarlijke straling.



- Chauvet vereist dat er voor extra stabiliteit zandzakken worden geplaatst op de voet van de standaard.
- **BELANGRIJK:** GA NIET voorbij het stoppunt dat op de mast staat gedrukt.

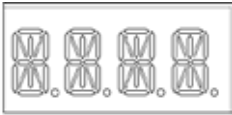


- De parbalk NIET te hard aanspannen, aangezien dit de standaard niet kan beschadigen.
- Gebruik deze standaard NIET anders dan waarvoor bedoeld.

4. WERKING

Dit product is niet ontworpen voor onafgebroken gebruik. Zorg dat er regelmatige pauzes zijn tijdens het gebruik, om de levensduur van uw laser te maximaliseren. Ontkoppel de GigBAR 2 altijd van de stroom als het niet in gebruik is.

Werking van het bedieningspaneel Voor toegang tot de functies van het bedieningspaneel gebruikt u de vier knoppen onder het display. Als het product aan staat, toont de LED-monitor op het achterpaneel de huidige bedieningsmodus (alleenstaand of DMX). Het product behoudt de laatst opgeslagen instellingen als het wordt afgesloten.



Toets	Functie
<MENU>	Selecteert een bedieningsmodus of verlaat de huidige menu-optie.
<UP>	Bladert omhoog in de optielijst of selecteert een hogere waarde
<DOWN>	Bladert omlaag in de optielijst of selecteert een lagere waarde
<ENTER>	Activeert een menu-optie of een geselecteerde waarde

Menu Map

Modus	Programmeerniveaus		Beschrijving
AUTO gemengd effect	AM**	AM01–AM02	Selecteert de show met automatisch gemengd effect
		F 01–F 99	Selecteert de snelheid van het automatisch gemengde effect
GELUID gemengd effect	SM**	SM01–SM02	Selecteert de show met gemengd geluidseffect
		F 01–F 99	Selecteert de snelheid van het gemengd geluidseffect
SHOW-instellingen	SHOW		Na het indrukken van <ENTER> worden verschillende showinstellingen geselecteerd, waarin u gemengde stijleffecten tonen of Par-only effecten.
Automatisch Par-effect	AP**	AP01– AP07	Selecteert de Par-show
		F 01–F 99	Selecteert de snelheid van de Par-show
Automatisch Derby-effect	AK01	F 01–F 99	Selecteert de automatische derby-snelheid
Automatisch lasereffect	AL01	F 01–F 99	Selecteert de automatische lasershowsnelheid
Automatisch stroboscoopeffect	AS**	AS01–AS22	Selecteert de automatische stroboscoopshows
		F 01–F 99	Selecteert de automatische stroboscoopshowsnelheid
Automatische Par+Derby	APK1	F 01–F 99	Selecteert de Par- en automatische Derby-showsnelheid
Automatische Par + laser	APL1	F 01–F 99	Selecteert de Par- en automatische lasershowsnelheid
Automatische Par + stroboscoop	APS1	F 01–F 99	Selecteert de Par- en stroboscoopshowsnelheid
Automatische Derby + laser	AKL1	F 01–F 99	Selecteert de Derby- en automatische lasershowsnelheid
Automatische Derby + stroboscoop	AKS1	F 01–F 99	Selecteert de Derby- en automatische stroboscoopshowsnelheid
Par + Derby + laser	APKL	F 01–F 99	Selecteert de Par-, Derby- en lasershowsnelheid
Par + Derby + stroboscoop	APKS	F 01–F 99	Selecteert de Par-, Derby- en stroboscoopsnelheid
Par + laser + stroboscoop	APLS	F 01–F 99	Selecteert de Par-, laser- en stroboscoopshowsnelheid

Modus	Programmeerniveaus			Beschrijving	
Derby + laser + stroboscoop	AKLS	F 01–F 99		Selecteert de Derby-, laser- en stroboscoopsnelheid	
Par-effect geluid	SP**	SP01–SP07		Stelt Pars in naar de geluidsmodus	
Derby-effect geluid		SK01		Stelt Derby in naar de geluidsmodus	
Lasereffect geluid		SL01		Stelt laser in naar de geluidsmodus	
Stroboscoopeffect geluid	SS**	SS01–SS22		Stelt stroboscopen in naar de geluidsmodus en selecteert de effectsnelheid	
Par + Derby geluid		SPK1		Stelt Pars en Derby's in naar de geluidsmodus	
Par + laser geluid		SPL1		Stelt Pars en laser in naar de geluidsmodus	
Par + stroboscoop geluid		SPS1		Stelt Pars en stroboscopen in naar de geluidsmodus	
Derby + laser geluid		SKL1		Stelt Derby's en laser in naar de geluidsmodus	
Derby + stroboscoop geluid		SKS1		Stelt Derby's en stroboscopen in naar de geluidsmodus	
Par + Derby + laser		SPKL		Stelt Par's, Derby's en laser in naar de geluidsmodus	
Par + Derby + stroboscoop		SPKS		Stelt Par's, Derby's en stroboscopen in naar de geluidsmodus	
Par + laser + stroboscoop		SPLS		Stelt Par's, laser en stroboscopen in naar de geluidsmodus	
Derby + laser + stroboscoop		SKLS		Stelt Derby's, laser en stroboscopen in naar de geluidsmodus	
Algemene KLEUR-instelling	CoLo	R**	R000–R255	Stelt de rode waarden in van zowel Par als Derby	Noot: Slechts 3 van de 4 kleuren kunnen worden gebruikt op hetzelfde moment.
		G**	G000–G255	Stelt de groene waarden in van zowel Par als Derby	
		B**	B000–B255	Stelt de blauwe waarden in van zowel Par als Derby	
		U**	U000–U255	Stelt de UV waarden in van zowel Par en stroboscopen	
Instelling DMX-modus	d** (d001–d512)	3 CH		Selecteert de DMX-persoonlijkheid	
		11 CH			
		23CH			
Master/Slave-instelling	Slav			Stelt de slave-modus in	
Systeemopties	Sys	dSET	1234	Wijzigt de samenstelling van pods	
		rSEt		Herstellen naar de fabrieksstandaard	
		WiFi	on	Schakelt de Wi-Fi™-antenne voor de draadloze voetschakelaar aan/uit	
off					

Configuratie (losstaand)

Plaatst het product in een van de losstaande modi om te bedienen zonder een DMX-regelaar.
Sluit het product aan op een geschikt stopcontact.



Sluit nooit een product, die in een losstaande modus werkt (automatisch of geluidsactief), aan op een DMX-rij die is verbonden aan een DMX-regelaar. Producten in losstaande modus kunnen DMX-signalen verzenden die de DMX-signalen van de regelaar verstoren.

Gemengd geluidseffect in de geluidsactieve modus

Doe het volgende om het gemengde geluidseffect (alles geluidsactief) in te schakelen:

1. Druk herhaaldelijk op <MENU> totdat **SM**** knippert op het display.
2. Druk op <ENTER>.
3. Gebruik <UP> of <DOWN> om de gewenste geluidsactieve modus te selecteren (**SM01** or **SM02**).
4. Met een druk op <ENTER> zal de armatuur in geluidsactieve modus gaan.
5. Gebruik <UP> of <DOWN> om de modussnelheid te kiezen, **F 01** (snel) tot **F 99** (langzaam).
6. Druk op <ENTER>.
Zet de muziek aan en stel de geluidsgevoeligheidsknop in totdat het product begint te reageren op de beat van de muziek.



- **Het product reageert alleen op lage frequenties van de muziek (lage bas en drums).**
- **De laser verduistert in de geluidsactieve modus na 3 seconden stilte of geluid onder de gevoeligheidsinstelling.**

Automatisch gemengd effect in de automatische modus

Volg onderstaande instructies om de modus automatisch gemengd effect (alles automatisch) in te schakelen:

1. Druk herhaaldelijk op <MENU> totdat **AM**** knippert op het display.
2. Druk op <ENTER>.
3. Gebruik <UP> of <DOWN> om de gewenste automatische modus te selecteren (**AM01** or **AM02**).
4. Druk op <ENTER>.
5. Gebruik <UP> of <DOWN> om de modussnelheid te kiezen, **F 01** (snel) tot **F 99** (langzaam).
6. Druk op <ENTER>.

Show-instellingen

Om shows met gemengde stijleffecten of alleen Par-effecten kiezen, volgt u onderstaande instructies en raadpleegt u de [Menu Map](#) voor programmeringsstappen:

1. Druk herhaaldelijk op <MENU> totdat **SHOW** knippert op het display.
2. Druk op <ENTER> om naar het volgende programmeringsniveau te gaan.
3. Gebruik <UP> of <DOWN> om te bladeren door de verschillende individuele automatische of geluidsshowopties.
4. Met een druk op <ENTER> zal de armatuur in de geselecteerde modus gaan.
5. Gebruik <UP> of <DOWN> om de modussnelheid te kiezen, **F 01** (snel) tot **F 99** (langzaam).
6. Druk op <ENTER>.

Master/Slave-Modus

De Master/Slave-modus zorgt ervoor dat een enkel GigBAR 2-product (de master) de acties regelt van een of meer GigBAR 2-producten (de slaves) zonder de behoefte aan een DMX-regelaar. De master wordt ingesteld voor gebruik in een automatische of geluidsactieve modus, terwijl de slaves worden ingesteld voor gebruik in Slave-modus. Na instelling en aansluiting zullen de slave-eenheden in harmonie met de master werken.

Configureer de producten zoals hieronder is aangegeven.

Voor elke slave:

1. Druk herhaaldelijk op <MENU> totdat **Slav** knippert op het display.
2. Met een druk op <ENTER> zal de armatuur in slave-modus gaan. Het display zal blijven knipperen.
3. Herhaal stappen 1 en 2 voor elke slave.
4. Sluit de DMX-uitgang van de eerste slave aan op de DMX-ingang van de volgende slave.
5. Sluit de DMX-ingang van de elke volgende slave-eenheid aan op de DMX-uitgang van de slave daarvoor.



- **Configureer alle slave-eenheden vóór het aansluiten van de master op de seriële DMX-keten. De display op de slaves zal blijven knipperen totdat de slaves een DMX-sigitaal ontvangen van de master.**

Master/Slave Modus (vervolgd)

Voor de master:

1. Sluit de DMX-uitgang van de master aan op de DMX-ingang van de eerste slave-eenheid.
2. Stel de mastereenheid in om te werken in een automatische of geluidsactieve modus.



- **Controleer of de mastereenheid de eerste eenheid in de DMX-keten is.**
- **Sluit nooit een DMX-regelaar aan op een DMX-keten die is geconfigureerd voor de Master/Slave-functie, omdat de regelaar kan interfereren met de signalen van de master.**
- **Sluit niet meer dan 31 slaves aan op de master.**

Configuratie (DMX)

Plaats het product in DMX-modus om te bedienen met een DMX-regelaar. Het product gebruikt een 3-pins DMX-kabel.

1. Sluit het product aan op een geschikt stopcontact.
2. Sluit een DMX-kabel aan vanaf de DMX-uitgang van de DMX-regelaar op de DMX-ingangshouder op het product.

DMX-persoonlijkheid en startadres

Bij het selecteren van een DMX-startadres, moet u altijd denken aan het aantal DMX-kanalen die de armatuur gebruikt. Als u een startadres gebruikt dat te hoog is, kunt u toegang aan enkele productkanalen beperken.

De GigBAR 2 gebruikt 3-, 11- en 23-kanaals DMX-persoonlijkheden, wat betekent dat het hoogste DMX-adres dat u kunt gebruiken **490** is.

Als u niet bekend bent met het DMX-protocol, download dat de DMX-primer van <http://www.chauvetlighting.com>.

Om de DMX-persoonlijkheid te selecteren doet u het volgende:

1. Druk herhaaldelijk op **<MENU>** totdat de gewenste DMX-persoonlijkheid (**3 CH**, **11CH**, of **23CH**) op het display knippert.
2. Druk op **<ENTER>** en **D**** knippert op het display.
3. Gebruik **<UP>** of **<DOWN>** om het gewenste startadres, te selecteren.
23CH (d001–d490)
11CH (d001–d502)
3-CH (d001–d510)
4. Met een druk op **<ENTER>** zal de armatuur in DMX-modus gaan. Het display zal blijven knipperen.

Aangepaste kleureninstelling

Slechts 3 van de 4 kleuren. Om zowel de Par als Derby naar een aangepaste kleur in te stellen doet u het volgende:

1. Druk herhaaldelijk op **<MENU>** totdat **CoLo** knippert op het display.
2. Druk op **<ENTER>**.
3. Gebruik **<UP>** of **<DOWN>** om te bladeren door **R**** (rood), **G**** (groen), **B**** (blauw) of **U** (UV)**.
4. Druk op **<ENTER>** om de kleur te selecteren.
5. Gebruik **<UP>** of **<DOWN>** om de kleurverzadiging (**X000–X255**) in te stellen.
6. Druk op **<ENTER>**.
7. Herhaal stappen 3 en 5 voor elke kleur.



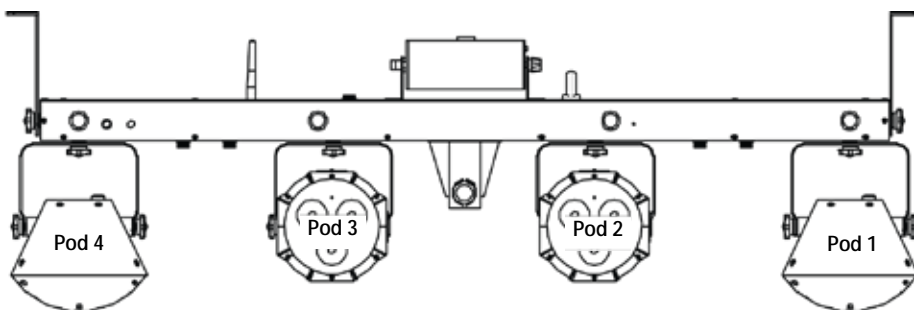
Noot: Slechts 3 van de 4 kleuren kunnen worden gebruikt op hetzelfde moment.

Systeeminstellingen Om te herstellen naar de standaard fabrieksinstellingen of wijzigingen te doen aan individuele podinstellingen, volgt de onderstaande aanwijzingen.

1. Druk herhaaldelijk op <MENU> totdat **SyS** knippert op het display.
2. Druk op <ENTER>.
3. Gebruik <UP> of <DOWN> om **rSEt** (fabrieksstandaard) te selecteren of **dSEt** (wijzigt pod-samenstel).
4. Druk op <ENTER> om de gewenste systeeminstelling te selecteren.

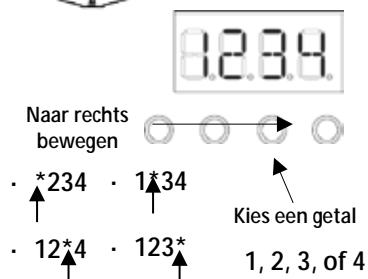
Als **rSEt** wordt geselecteerd, wordt GigBAR 2 hersteld naar de standaard fabrieksinstellingen.

Standaard pod-samenstel

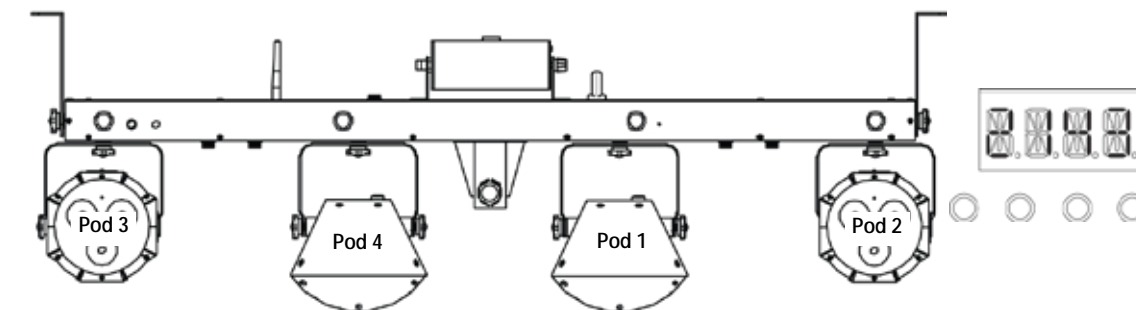
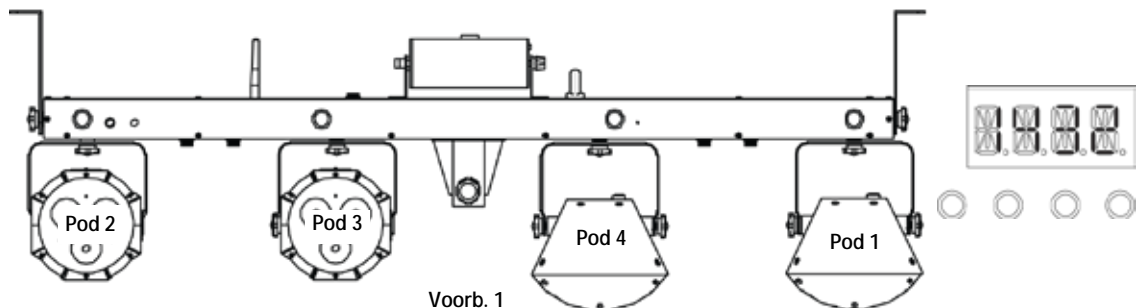


Als **dSEt** is geselecteerd, wijzigt u de volgorde van de pods door onderstaande stappen en voorbeelden te gebruiken om de volgorde van de pods samen te stellen:

- Gebruik <UP> om naar rechts te gaan op het display.
- Gebruik <DOWN> om het displaycijfer te wijzigen (1, 2, 3 of 4).
- Druk op <ENTER> om te bevestigen.
- Herhalen totdat alle 4 pods naar wens zijn samengesteld.



Voorbeelden van nieuwe samenstelling van de podvolgorde



DMX-kanaltoewijzingen en waarden

23CH	Kanaal	Functie	Waarde	Instelling		
	1	Par 1-bediening	000 ó 255	Rood 0–100%	Noot: Slechts 3 van de 4 kleuren kunnen worden gebruikt op hetzelfde moment.	
	2		000 ó 255	Groen 0–100%		
	3		000 ó 255	Blauw 0–100%		
	4		000 ó 255	UV 0–100%		
	5			000 ó 127	RGB, op basis van kanalen 1, 2 en 3	
				128 ó 239	Stroboscoopsnelheid, langzaam tot snel	
				240 ó 249	Stroboscoop naar geluid	
				250 ó 255	RGB 100%	
	6	Par 2-bediening	000 ó 255	Rood 0–100%	Noot: Slechts 3 van de 4 kleuren kunnen worden gebruikt op hetzelfde moment.	
	7		000 ó 255	Groen 0–100%		
	8		000 ó 255	Blauw 0–100%		
	9		000 ó 255	UV 0–100%		
	10			000 ó 127	RGB, op basis van kanalen 6, 7 en 8	
				128 ó 239	Stroboscoopsnelheid, langzaam tot snel	
				240 ó 249	Stroboscoop naar geluid	
				250 ó 255	RGB 100%	
	11	Derby 1-bediening	000 ó 024	Verduistering		
				025 ó 049	Rood	
				050 ó 074	Groen	
				075 ó 099	Blauw	
				100 ó 124	Rood + groen	
				125 ó 149	Rood + blauw	
				150 ó 174	Groen + blauw	
				175 ó 199	Rood + Groen + Blauw	
				200 ó 224	Automatisch (alleen enkele kleuren)	
				225 ó 255	Automatisch (twee kleuren tegelijkertijd)	
	12	Derby 1-stroboscoopfrequentie	000 ó 009	Geen functie		
				010 ó 239	Stroboscoop, 0–30 Hz	
				240 ó 255	Stroboscoop naar geluid	
	13	Derby 1-rotatie	000 ó 004	Stop		
				005 ó 127	Met de klok mee roteren, langzaam tot snel	
				128 ó 133	Stop	
				134 ó 255	Tegen de klok in roteren, langzaam tot snel	

23CH	Kanaal	Functie	Waarde	Instelling
14	Derby 2-bediening	000 ó 024	Verduistering	
		025 ó 049	Rood	
		050 ó 074	Groen	
		075 ó 099	Blauw	
		100 ó 124	Rood + groen	
		125 ó 149	Rood + blauw	
		150 ó 174	Groen + blauw	
		175 ó 199	Rood + Groen + Blauw	
		200 ó 224	Automatisch (alleen enkele kleuren)	
		225 ó 255	Automatisch (twee kleuren tegelijkertijd)	
15	Derby 2-stroboscoopfrequentie	000 ó 009	Geen functie	
		010 ó 239	Stroboscoop, 0–30 Hz	
		240 ó 255	Stroboscoop naar geluid	
16	Derby 2-rotatie	000 ó 004	Stop	
		005 ó 127	Met de klok mee roteren, langzaam tot snel	
		128 ó 133	Stop	
		134 ó 255	Tegen de klok in roteren, langzaam tot snel	
17	Laser Kleur	000 ó 039	Verduistering	
		040 ó 079	Rood op	
		080 ó 119	Groen op	
		120 ó 159	Rood + Groen op	
		160 ó 199	Rood op + Groen Stroboscoop	
		200 ó 239	Groen op + rood Stroboscoop	
		240 ó 255	Rood + groen (afwisselend stroboscoop)	
18	Laserstroboscoop-frequentie	000 ó 009	Geen functie	
		010 ó 239	langzaam tot snel-stroboscoop	
		240 ó 255	Stroboscoop tot geluid	
19	Laserpatroon	000 ó 004	Stop	
		005 ó 127	Met de klok mee roteren	
		128 ó 133	Stop	
		134 ó 255	Tegen de klok in roteren	

23CH	Kanaal	Functie	Waarde	Instelling
20	Stroboscooppatronen	000 ó 009	Verduistering	
		010 ó 019	Automatisch programma 1 Wit	
		020 ó 029	Automatisch programma 2 Wit	
		030 ó 039	Automatisch programma 3 Wit	
		040 ó 049	Automatisch programma 4 Wit	
		050 ó 059	Automatisch programma 5 Wit	
		060 ó 069	Automatisch programma 6 Wit	
		070 ó 079	Automatisch programma 7 Wit	
		080 ó 089	Automatisch programma 8 Wit	
		090 ó 099	Automatisch programma 9 Wit	
		100 ó 109	Wit langzaam tot snel-stroboscoop	
		110 ó 119	Automatisch programma 1 UV	
		120 ó 129	Automatisch programma 2 UV	
		130 ó 139	Automatisch programma 3 UV	
		140 ó 149	Automatisch programma 4 UV	
		150 ó 159	Automatisch programma 5 UV	
		160 ó 169	Automatisch programma 6 UV	
		170 ó 179	Automatisch programma 7 UV	
		180 ó 189	Automatisch programma 8 UV	
		190 ó 199	Automatisch programma 9 UV	
		200 ó 209	UV langzaam tot snel-stroboscoop	
		210 ó 229	UV Stroboscoop tot geluid	
		230 ó 255	Wit Stroboscoop tot geluid	
21	Stroboscoopdim Wit	000 ó 255	Wit LED-dimmer	Noot: Kanalen 21 en 22 kan niet worden gebruikt tegelijkertijd
22	Stroboscoopdim UV	000 ó 255	UV LED-dimmer	
23	Stroboscoopsnelheid	000 ó 255	Snelheid (langzaam tot snel)	

11CH	Kanaal	Functie	Waarde	Instelling	
	1	Pars en Derby-kleur	000 ó 255	Rood 0–100%	Noot: Je bent in staat tot een maximum van 3 kleuren te gebruiken in een tijd
	2		000 ó 255	Groen 0–100%	
	3		000 ó 255	Blauw 0–100%	
	4		000 ó 255	UV 0–100%	
	5	Pars en Derby-stroboscoopbedienings elementen	000 ó 127	Alles 0–100%	
			128 ó 239	Stroboscoopfrequentie	
			240 ó 249	Geluidstroboscoop	
			250 ó 255	Volledig aan	
	6	Derby motorrotatie	000 ó 004	Stop	
			005 ó 127	Met de klok mee roteren, langzaam tot snel	
			128 ó 133	Stop	
			134 ó 255	Tegen de klok in roteren, langzaam tot snel	
	7	Groene laserbedienings-elementen	000 ó 004	Verduistering van groene laser	
			005 ó 054	Groene laser aan	
			055 ó 255	Stroboscoopfrequentie groene laser, langzaam tot snel	
	8	Groene laserbedienings-elementen	000 ó 004	Verduistering van rood laser	
			005 ó 054	Rood laser aan	
			055 ó 255	Stroboscoopfrequentie rood laser, langzaam tot snel	
	9	Bewegingsnelheid van de laser	000 ó 004	Geen beweging	
			005 ó 127	Rotatie met de klok mee, langzaam tot snel	
			128 ó 133	Stoppen bij beweging	
			134 ó 255	Rotatie tegen de klok in, langzaam tot snel	
	10	Witte Stroboscoopsnelheid	000 ó 054	Witte stroboscoopdimmer, 0–100%	Noot: Kanalen 10 en 11 kan niet worden gebruikt tegelijkertijd
			055 ó 255	Witte stroboscoopfrequentie, langzaam tot snel	
	11	UV Stroboscoopsnelheid	000 ó 054	UV stroboscoopdimmer, 0–100%	
			055 ó 255	UV stroboscoopfrequentie, langzaam tot snel	

3 CH	Kanaal	Functie	Waarde	Instelling
1		LED-werking	000 ó 009	Geen functie
			010 ó 119	Automatisch gemengde modus 1, langzaam tot snel
			120 ó 229	Automatisch gemengde modus 2, langzaam tot snel
			230 ó 234	Geluidsgemengde modus 1
			235 ó 239	Geluidsgemengde modus 2
			240 ó 255	Instelling tonen wanneer kanalen 2 en 3 geactiveerd zijn
2		Werking	000 ó 009	Verduistering
			010 ó 019	ALLEEN Par's aan, tijdens een enkele Par-show
			020 ó 029	ALLEEN Derby's aan
			030 ó 039	ALLEEN laser aan
			040 ó 049	ALLEEN stroboscopen aan, tijdens een enkele stroboscoopshow
			050 ó 059	ALLEEN automatische Par's en Derby's
			060 ó 069	ALLEEN automatische Par's en laser
			070 ó 079	ALLEEN automatische Par's en stroboscopen
			080 ó 089	ALLEEN automatische Derby's en laser
			090 ó 099	ALLEEN automatische stroboscopen en Derby's
			100 ó 109	Par's, Derby's en laser
			110 ó 119	Par's, Derby's en stroboscopen
			120 ó 129	Par's, laser en stroboscopen
			130 ó 139	Derby's, laser en stroboscopen
			140 ó 149	Par-effect geluid
			150 ó 159	Derby-effect geluid
			160 ó 169	Lasereffect geluid
			170 ó 179	Stroboscoopeffect geluid
			180 ó 189	Par + Derby geluid
			190 ó 199	Par + laser geluid
200 ó 209	Par + stroboscoop geluid			
210 ó 219	Derby + laser geluid			
220 ó 229	Derby + stroboscoop geluid			
230 ó 239	Par's, Derby's en laser			
240 ó 244	Par's, Derby en laser			
245 ó 249	Par's, laser en stroboscopen			
250 ó 255	Derby's, laser en stroboscopen			
3		Automatische snelheid	000 ó 255	Snelheid, bij 050–099 in kanaal 2

Werking IRC-6 (infrarood afstandsbediening 6)

Let op: Zorg ervoor dat u de IRC-6 direct op het product richt.



Automatische modus

De automatische modus zorgt ervoor dat u de automatische programma's op het product kunt uitvoeren.

Om de automatische modus in te schakelen:

- Houd **<AUTO>** ingedrukt op de IRC-6.
- Druk op een cijfer tussen **<0>** en **<9>** om uw automatische programma te kiezen.
- Druk op **<+>** of **<->** om de snelheid van het programma te verhogen of te verlagen.

Geluidsactieve modus

De geluidsactieve modus zorgt ervoor dat het product op de muziek reageert.

Om de geluidsactieve modus in te schakelen:

- Houd **<SOUND>** ingedrukt op de IRC-6.
- Druk op een cijfer tussen **<0>** en **<9>** om uw automatische programma te kiezen

Stroboscoopmodi

Om de het stroboscoopprogramma en -frequentie aan te passen:

- Houd **<STROBE>** ingedrukt op de IRC-6.
- Druk op **<0>** om alles te laten knipperen of een cijfer tussen **<0>** en **<9>** om uw automatische programma te kiezen.
- Druk op **<+>** of **<->** om de stroboscoopfrequentie te verhogen of te verlagen.
- Druk op **<STROBE>** om de stroboscoop uit te schakelen.

Programma Modes Defined

knop	<i>Automatische modus</i>	<i>Geluidsactieve modus</i>	<i>Stroboscoopmodi</i>
<0>	AM01	SM01	Alle strobe Witte
<1>	AP01	SP01	Strobe Witte 1
<2>	AP02	SP02	Strobe Witte 2
<3>	AK01	SK01	Strobe Witte 3
<4>	AL01	SL01	Strobe Witte 4
<5>	APK1	SPK1	Strobe Witte 5
<6>	APL1	SPL1	Strobe UV 1
<7>	AKL1	SKL1	Strobe UV 2
<8>	APKL	SPKL	Strobe UV 3
<9>	AKLS	SKLS	Strobe UV 4

Diverse bedieningen

Om de fadesnelheid van de Par en Derby-kleuruitvoer af te stellen.

- Houd **<FADE>** ingedrukt op de IRC-6.
- Druk op **<+>** of **<->** om de fadefrequentie te verhogen of te verlagen.

Om de helderheid van de kleuren of stroboscoop af te stellen:

- Druk op **<%>** op de IRC-6.

1 x drukken	2 x drukken	3 x drukken	4 x drukken	5 x drukken
100%	75%	50%	25%	0%

Om de lampen te verduisteren:

- Druk op **<BLACK OUT>** op de IRC-6. Dit schakelt de lampen uit totdat de knop opnieuw wordt ingedrukt.

Bediening van de voetschakelaar

De meegeleverde draadloze voetschakelaar biedt snelle toegang tot voorinstelde kleuren, kleurwisselingsprogramma's en geluidsactivering door de microfoon van GigBAR 2.

Om de voetschakelaar te gebruiken:

8. Sluit de GigBAR 2 aan op de stroom.
9. Draai de draadloze antennes op de GigBAR 2 en de voetschakelaar omhoog.
10. Druk op pedaal #1 (Auto) om de bedieningselementen van het automatische programma te activeren. In gebruik moeten alle lampen beginnen in de automatische modus (**AM01**).
11. Gebruik het onderstaande diagram om de gewenste functie te activeren.



Pedaal	Sub-optie	Functie
1 (Auto)	1 x drukken	Automatische modus Par's, Derby's, laser en stroboscopen (AM01)
	2 x drukken	AP01
	3 x drukken	AP02
	4 x drukken	AK01
	5 x drukken	AL01
	6 x drukken	APK1
	7 x drukken	APL1
	8 x drukken	AKL1
	9 x drukken	APKL
	10 x drukken	AKLS
2 (Geluid)	1 x drukken	Geluidsmodus Par's, Derby's, laser en stroboscopen (SM01)
	2 x drukken	SP01
	3 x drukken	SP02
	4 x drukken	SK01
	5 x drukken	SL01
	6 x drukken	SPK1
	7 x drukken	SPL1
	8 x drukken	SKL1
	9 x drukken	SPKL
	10 x drukken	SKLS
3 (Kleur)	1 x drukken	Rood zonder laser, geen stroboscoop
	2 x drukken	Groen zonder laser, geen stroboscoop
	3 x drukken	Blauw zonder laser, geen stroboscoop
	4 x drukken	UV zonder laser, geen stroboscoop
	5 x drukken	Geel zonder laser, geen stroboscoop
	6 x drukken	Roze zonder laser, geen stroboscoop
	7 x drukken	Cyaan zonder laser, geen stroboscoop
	8 x drukken	Donker roze zonder laser, geen stroboscoop
	9 x drukken	Blauw zonder laser, geen stroboscoop
	10 x drukken	Wit zonder laser, geen stroboscoop
4 (Verduistering)	N/B	Schakelt direct alle lichtarmaturen UIT

Zie [Menu Map](#) voor een beschrijving

Zie [Menu Map](#) voor een beschrijving



De GigBAR 2-voetschakelaar werkt goed in elke modus, met een maximale ongehinderde afstand van 30,5 m. U moet Wi-Fi™ op de GigBAR 2 inschakelen voordat u de voetschakelaar gebruikt.

Batterij van de voetschakelaar

Vervanging van de batterij

De draadloze voetschakelaar gebruikt een 12-volt batterij onder het batterijklepje onderop het product, wat indien nodig vervangen kan worden.

De batterij in de draadloze voetschakelaar vervangen:

1. Schakel de stroomschakelaar naar de stand Uit.
2. Verwijder het batterijklepje door 2 schroeven te verwijderen met een kruiskopschroevendraaier.
3. Haal de oude batterij uit de behuizing en ontkoppel het van de netspanning.
4. Vervang het met een 12-volt batterij en controleer dat de positieve (+) en negatieve (-)-kabels overeenkomen met de juiste elektrodes op de batterij.
5. Plaats de batterij in de behuizing en dek het af met het batterijklepje.
6. Zet het batterijklepje weer vast met de 2 schroeven.



De schroeven niet te hard aandraaien!

5. TECHNISCHE INFORMATIE

Productonderhoud De ophoping van stof verlaagt de lichtemissieprestaties en kan oververhitting veroorzaken. Om optimale prestaties te behouden moet het product ten minste tweemaal per maand gereinigd worden. Het gebruik en omgevingsomstandigheden kunnen echter ook bijdragen aan de schoonmaakfrequentie.

Volg onderstaande instructies om het product te reinigen:

1. Haal het apparaat van de stroom.
2. Wacht totdat het product op kamertemperatuur is.
3. Gebruik een stofzuiger (of droge perslucht) en een zachte borstel om opgehoopt stof van de externe oppervlakken en ventilatiegaten te verwijderen.
4. Reinig het transparante paneel (laseropening) met een milde oplossing van glasreiniger zonder ammonia of isopropylalcohol.
5. Pas de schoonmaakoplossing direct toe op een zachte, pluisvrije katoenen doek of een brillendoekje.
6. Veeg vuil of roet voorzichtig naar de buitenrand van het glas.
7. Poets het transparante oppervlak voorzichtig totdat het vrij is van waas en pluisjes.



Droog de optische oppervlakken altijd zorgvuldig na het reinigen.



Draai de koelventilator niet rond met perslucht, omdat u het dan kunt beschadigen.

6. TECHNISCHE SPECIFICATIES

Afmetingen en gewicht

GigBAR 2	Lengte	Breedte	Hoogte	Gewicht
	1185 mm	110 mm	387 mm	6,6 kg
Driepoot	Min. hoogte	Max. hoogte	Breedte van de poten (voetafdruk)	Afmetingen
	1,5 m	2,5 m	1,2 m	37,4 mm
Let op: Afmetingen in inches moeten worden afgerond naar de dichtstbijzijnde decimaal				
Vermogen	Ingangsspanning	Bereik		Spanningsselectie
	Schakeling (intern)	100–240 VAC, 50/60 Hz		Automatisch wisselend bereik
	Parameter	230 V, 50 Hz		120 V, 60 Hz
	Verbruik	64 W		68 W
	Bedrijfsstroom	0,5 A		1 A
	Power linking-stroomsterkte (eenheden)	10,4 A (15 eenheden)		10,4 A (8 eenheden)
	Zekering	T 1,6 A, 250 V		T 1,6 A, 250 V
	Stroom I/O	VK/Europa		US/Worldwide
	Stroomingangsstekker	IEC		IEC
	Stroomuitgangstekker	IEC		Edison
Stroomsnoerstekker	Lokale stekker		Edison (US)	
Lichtbron	Laser	Type	Vermogen	Golflengte
		Laser (groen)	30 mW	532 nm
		Laser (rood)	100 mW	650 nm
LED	Derby's	Type	Vermogen	Levensduur
		LED	6 W	50.000 uur
		Kleur	Aantal	Stroomsterkte
		Rood	2	1,7 A
		Groen	2	1,7 A
Blauw	2	1,7 A		
Par's		Type	Vermogen	Levensduur
		LED	2,5 W	50.000 uur
		Kleur	Aantal	Stroomsterkte
Driekleurige RGB+UV	6	1,1 A		
Stroboscopen		Type	Vermogen	Levensduur
		LED	1 W	50.000 uur
		Kleur	Aantal	Stroomsterkte
Wit+UV	4	600 mA		

Foto-optisc	Parameter	Waarde	
	Dekkingsbereik (laser)	93°	
	Dekkingsbereik (Derby)	114°	
	Veldstralingshoek (stroboscoop)	18°	
	Veldstralingshoek (Par's)	24°	
	Stralingshoek (stroboscoop)	8°	
	Stralingshoek (Par's)	13°	
	Stroboscoopfrequentie	0–18 Hz	
	Verlichting @ 2 m (stroboscoop)	86 lux (per zone)	
	Verlichting @ 2 m (Par's)	1205 lux (per kop)	
Thermisch	Laser maximale externe temp.	Koelsysteem	
	35 °C	Ventilatorgekoeld en convectie	
Voetschakelaar	Bedrijfsfrequentie	Max. afstand (ongehinderd)	Stroom
	433 MHz	30,5 m	12 V, 23 A batterij
DMX	I/O-stekkers	Stekkertype	Kanaalbereik
	3-pin XLR	Houders	3, 11 of 23
Bestellen	Artikelnummer	Artikelcode	UPC Code
	GIGBAR2	10051204	781462215521



RETOUREN

Als u ondersteuning nodig hebt of een product wilt retourneren:

- Neem contact op met het Chauvet wereldwijde hoofdkwartier als u zich in de VS bevindt. (zie de [Neem contact Op](#))
- Als u zich in Verenigd Koninkrijk en Ierland bevindt, neem dan contact op met Chauvet Europe Ltd. (zie de [Neem contact Op](#))
- Als u zich in Mexico bevindt, neem dan contact op met Chauvet Mexico. (zie de [Neem contact Op](#))
- Als u zich in Benelux bevindt, neem dan contact op met Chauvet Europe BVBA. (zie de [Neem contact Op](#))
- Als u zich in een ander land bevindt, neem dan GEEN contact op met Chauvet. Neem in plaats daarvan contact op met uw plaatselijke distributeur. Zie www.chauvetlighting.com voor distributeurs buiten de VS, Verenigd Koninkrijk, Ierland, Mexico, of Benelux.



Als u zich buiten de VS, Verenigd Koninkrijk, Ierland, Mexico, of Benelux bevindt, neem dan contact op met uw geregistreerde distributeur en volg hun instructies over het retourneren van Chauvet-producten naar hen. Ga naar onze website www.chauvetlighting.com voor contactinformatie.

Bel de corresponderende technische afdeling van Chauvet en vraag om een retouropdrachtformulier (RMA)-nummer vóór het verzenden van het product. Zorg dat u het modelnummer, serienummer en een korte beschrijving van de retouroorzaak bij de hand hebt.

Stuur het product gefrankeerd, in zijn originele doos en met zijn originele verpakking en accessoires. Chauvet geeft geen telefoon-tags.

Label het pakket duidelijk met het RMA-nummer. Chauvet weigert producten die worden geretourneerd met een RMA-nummer.



Schrijf het RMA-nummer op een voldoende bevestigd etiket. Schrijf het RMA-nummer NIET direct op de doos.

Vóór het verzenden van het product moet u de volgende informatie duidelijk op een stuk papier schrijven en het binnen de doos plaatsen:

- Uw naam:
- Uw adres:
- Uw telefoonnummer
- RMA-nummer
- Een korte beschrijving van het probleem

Zorg ervoor dat u het product voldoende inpakt. Alle verzendschade die resulteert uit onvoldoende verpakking is uw verantwoordelijkheid. FedEx-verpakking of dubbele dozen worden aanbevolen.



Chauvet behoudt zich het recht voor om (het) geretourneerde product(en) naar eigen inzicht te repareren of te vervangen.

CONTACT Us

USA WORLD HEADQUARTERS

General Information – Chauvet
Address: 5200 NW 108th Avenue
Sunrise, FL 33351
Voice: (954) 577-4455
Fax: (954) 929-5560
Toll free: (800) 762-1084

Technical Support

Voice: (954) 577-4455 (Press 4)
Fax: (954) 756-8015
Email: tech@chauvetlighting.com

World Wide Web

www.chauvetlighting.com

EUROPE

General Information - Chauvet Europe BVBA
Address: Stokstraat 18
9770 Kruishoutem
Belgium
Voice: +32 9 388 93 97

Technical Support

Email: Eutech@chauvetlighting.eu

World Wide Web

www.chauvetlighting.eu

General Information - Chauvet Europe Ltd.
Address: Unit 1C
Brookhill Road Industrial Estate
Pinxton, Nottingham, UK
NG16 6NT
Voice: +44 (0)1773 511115
Fax: +44 (0)1773 511110

Technical Support

Email: uktech@chauvetlighting.com

World Wide Web

www.chauvetlighting.co.uk

MEXICO

General Information - Chauvet Mexico
Address: Av. Santa Ana 30
Parque Industrial Lerma
Lerma, Mexico C.P. 52000
Voice: +52 (728) 285-5000

Technical Support

Email: servicio@chauvet.com.mx

World Wide Web

www.chauvet.com.mx

Outside the U.S., United Kingdom, Ireland, Mexico, or Benelux contact the dealer of record. Follow their instructions to request support or to return a product. Visit our website for contact details.