

**M-AUDIO®**

**KEYSTATION 61 MK3**

---

**User Guide**

English ( 2 - 14 )

**Guía del usuario**

Español ( 15 - 27 )

**Guide d'utilisation**

Français ( 28 - 41 )

**Guida per l'uso**

Italiano ( 42 - 55 )

**Benutzerhandbuch**

Deutsch ( 56 - 69 )

**Appendix**

English ( 70 - 71 )

## User Guide (English)

### Introduction

Thank you for purchasing the Keystation 61 MK3. At M-Audio, we know how serious music is to you. That's why we design our equipment with only one thing in mind—to make your performance the best it can be.

### Box Contents

Keystation 61 MK3

USB Cable

Software Download Cards

User Guide

Safety & Warranty Manual

### Support

Visit [m-audio.com](http://m-audio.com) to view and download the latest documentation, system requirements, and other information about your product.

For additional product support, visit [m-audio.com/support](http://m-audio.com/support).

### Quick Start

#### Connecting Your Keyboard

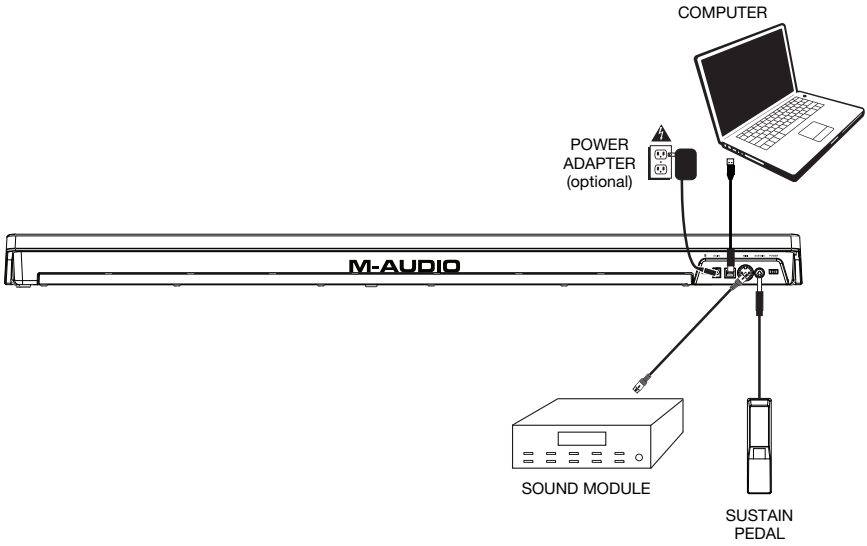
You can power the keyboard either via a powered USB port or a third-party power supply. The Keystations are low-power devices and an external power supply is not necessary unless using the Keystation without being connected to a computer (e.g., controlling external synthesizers). It is recommended that you connect the Keystation to an onboard USB port or to a powered USB hub. Use a USB cable to power Keystation when connecting to a computer to trigger software synths.

You can also use Keystation 61 MK3 with your iPad to control supported music creation apps.

*Connecting your Keystation 61 MK3 to an iPad requires the iPad Camera Connection Kit, which is available from the Apple Store.*

## Setup

Items not listed under *Introduction* > *Box Contents* are sold separately.



## Recommended Installation

**Pro Tools | First M-Audio Edition:** We've included Pro Tools | First M-Audio Edition with your Keystation 61 MK3 so you can get started making music with professional software right out of the box. Register your Keystation 61 MK3 on [m-audio.com](http://m-audio.com), and follow the Pro Tools | First M-Audio Edition install instructions in your User Account.

**Ableton Live Lite:** We've included Ableton Live Lite with your Keystation 61 MK3 so you can get started making music with professional software right out of the box. Follow the instructions on the included software download card for installing Ableton Live Lite.

**Virtual Instruments:** Follow the instructions on the software download card for installing the included virtual instrument plugins. After installation, most DAWs will not load virtual instrument plugins automatically. In order to access the virtual instrument plugins with Pro Tools | First M-Audio Edition and Ableton Live Lite, you will need to choose the plugin folder for the software to scan:

### Pro Tools | First M-Audio Edition/AAX plugin folders:

**Windows (32-bit):**

C:\Program Files (x86)\Common Files\Avid\Audio\Plug-Ins

**Windows (64-bit):**

C:\Program Files\Common Files\Avid\Audio\Plug-Ins

**Mac:**

Macintosh HD/Library/Application Support/Avid/Audio/Plug-Ins

### Ableton/VST Plugins:

**Windows (32-bit):**

C:\Program Files (x86)\VSTplugins

**Windows (64-bit):**

C:\Program Files\VSTplugins

**MacOS:**

Macintosh HD/Library/Audio/PlugIns/VST

To set your plugin folder in Ableton Live Lite:

1. Go to the **Preferences** menu.
2. Select the File Folder tab. Under Plug-In Sources click Browse and select the appropriate plugin folder.
3. After making your selection, the **Use VST Custom Plug-In Folder** button should be **ON**. If it is not, click the button to turn it on.

Exit the **Preferences** menu.

## Ableton Live Lite Setup

1. First, connect Keystation 61 MK3 to an available USB port on your computer using the supplied USB cable, and launch Ableton Live Lite.
2. Next, open the Ableton Live Lite **Preferences** window. Choose your **Audio Device** in the **Audio** tab. This will be dependent upon the audio interface that you are using.

**MAC:** Select **Live > Preferences**

**PC:** Select **Options > Preferences**

3. Select the **MIDI/Sync** tab. Within the **MIDI Ports** section, adjust the settings as listed below:

Next to **Input: Keystation 61**, toggle the **On** button in the **Track** and **Remote** columns.

Next to **Output: Keystation 61**, toggle the **On** button in the **Track** and **Remote** columns.

4. Next, at the top of the window under Control Surface, choose **MackieControl** from the drop-down list in row 1. Under the **Input** column in Row 1, choose Keystation 61 MK3 (Port 2). Ensure the third drop-down menu in Row 1 under Output is set to None. The Transport control (Play, Stop, and Record) on the Keystation 61 MK3 controller will now control and correspond with the Transport functions in Ableton Live Lite. In addition, the Directional buttons on the Keystation series controller will now control selecting tracks and triggering clips.
5. Close the **Preferences** window.
6. To add an instrument or plugin to Ableton Live Lite in order to generate sound, in the **Categories** column, choose **Instruments** or **Plug-ins**.
7. In the **Name** column just to the right of the Categories column, locate the Instrument or Plug-in of your choice. **Click-and-drag** the instrument to a MIDI track in Ableton Live Lite to load the instrument.

The Instrument can now be triggered with Keystation 61 MK3.

## Pro Tools | First M-Audio Edition Setup

1. Connect Keystation 61 MK3 to an available USB port on your computer using the supplied USB cable, and launch Pro Tools | First M-Audio Edition.
2. Open or Create a Project.
3. Select the **Setup** pulldown menu and open **MIDI Input Devices**. Enable **MIDI Input** from the Keystation 61 MK3 by clicking the box next to the Keystation 61 MK3.
4. Select the **Setup** pulldown menu and open **Playback Engine**. Choose your audio device from the **Playback Engine** pulldown menu.
5. To create a new Instrument track, select the **Track** pulldown menu and select **New**.
6. In the **New** pulldown menu, select **Stereo**, and then **Instrument Track**.
7. In the newly created track, add an Insert to your track by clicking in your track's Inserts A-E and selecting **Multichannel Plugin > Instrument** and select the instrument you would like to use, such as Xpand!2 (Stereo). The plugin can now be triggered with Keystation 61 MK3.

**Note:** Windows users will need either an external soundcard (such as the M-Track 2X2) or a low-latency ASIO driver.

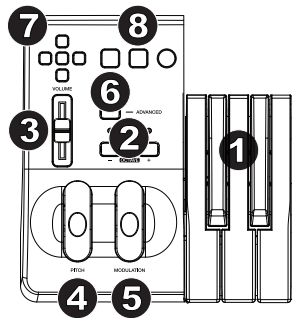
## Configuration

Once you have finished installation you will need to configure your MIDI software to use the Keystation. Please note that when you press a key on the keyboard, you will not hear any sound. This is because pressing a key causes the keyboard to send out MIDI data. MIDI data gives instructions on how a sound should play, but in order to actually hear that sound you need to configure your music software to read the MIDI data being sent from the Keystation and play the sound back accordingly. This setup will more than likely entail going into an Options or Device Set-Up menu in your music software application and selecting the appropriate device. The Keystation should appear under the name “USB Audio Device” for Windows 7, Windows 8, or as “Keystation 61 MK3” for other operating systems in the MIDI devices section of your music software application. Please consult the manual that came with your software for the proper setup procedure.

## Features

### Top Panel

- Keyboard:** Most of the white keys and black keys on the Keystation are labeled with names. When in the Advanced mode, pressing any of the labeled keys will allow for special operations such as adjusting the MIDI channel, transposing, and sending program change messages.
- Octave Buttons:** If you press the octave “+” button once, the LED above the octave “-” button will turn off, indicating the keyboard’s octave is now shifted up. If you press the octave “+” key again, you will shift one more octave up, and so on. It is possible to shift the keyboard up 4 octaves or down 4 octaves from 0 octave shift.



To shift the octave down, press the octave “-” button and notice that the LED above the octave “+” turns off. If only the LED above the octave “-” key is lit, the octave is shifted down and, if only the LED above the octave “+” key is lit, the octave is shifted up. The octave “+” and octave “-” LEDs will change color when moving up or down more than one octave.

To return the octave shift to 0, press both the octave “+” and “-” keys together. Both LEDs will light, indicating that the octave shift has returned to 0.

The Octave “+” and “-” buttons may be assigned to control one of seven possible MIDI functions. (See **Advanced Functions** for more information.)

- Volume Slider:** The Volume Slider sends a MIDI message that controls the volume of the notes you are playing. The Volume Slider can also be assigned to different effects such as pan (balance), attack, reverb, chorus and many more. (See **Advanced Functions** for more information.)
- Pitch Bend Wheel:** As the name indicates, the pitch bend wheel is primarily used to bend the notes played on the keyboard up or down. This allows you to play phrases not normally associated with keyboard playing, such as guitar-style riffs. Your sound source determines how far you can bend the note. The usual setting is two semitones, but it can be up to two octaves up or down.

5. **Modulation Wheel:** The modulation wheel is typically used for modulation of the sound you are playing. This type of real-time controller was originally introduced on electronic keyboard instruments to give the performer options such as adding vibrato, just like players of acoustic instruments do. The modulation wheel is fully MIDI-assignable.
6. **Advanced Button:** The Advanced button is used to access all the advanced functions of the keyboard.

When the Advanced button is pressed, the keyboard goes into “Edit Mode.” In Edit Mode, the keys on the keyboard are used for selecting functions and entering data.

The LED above the Advanced button indicates whether or not Edit Mode is engaged. In Edit Mode, the black keys on the keyboard are used for selecting functions, while the white keys are used for data entry, channel selection, and DAW selection.

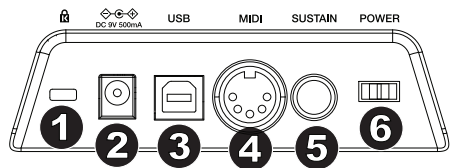
Your keyboard will exit out of Edit Mode as soon as a function is selected, or the Advanced button, CANCEL or ENTER key is pressed (the LED above the Advanced button will turn off). The keyboard can then be used to play notes again.

**Note:** Refer to the **Advanced** section for more information.

7. **Directional Buttons:** These buttons can use the MIDI, Mackie Control® or HUI® protocols to control certain functions in software that support them. Please see the **Directional Buttons and Transport Buttons** section of the **Advanced Functions** chapter for more information.
8. **Transport Buttons:** These buttons can use the MIDI, Mackie Control or HUI® protocols to control certain functions in software that support them. Please see the **Directional Buttons and Transport Buttons** section of the **Advanced Functions** chapter for more information.

## Rear Panel

1. **Kensington® Lock:** Use this port to attach a security cable to the unit.
2. **DC Power Adapter Input:** If you do not wish to power Keystation through the USB connection and are using the MIDI connector to trigger an external sound module, connect a DC 9 V, 500 mA power adapter (sold separately) here.



3. **USB Port:** The USB port delivers power to the keyboard and transmits MIDI data when connected to a computer to trigger a software synth or MIDI sequencer.
4. **MIDI Out:** Use a five-pin MIDI cable (sold separately) to connect this jack to the MIDI IN of an external sound module or to the MIDI In of a synthesizer.

# M-AUDIO

5. **Sustain Pedal Input:** This socket accepts a momentary-contact foot pedal (sold separately). When pressed, this pedal will sustain the sound you are playing without having to keep your fingers pressed down on the keys.

**NOTE:** For realistic pedal action, check out the SP-2. The SP-2 is M-Audio's switchable sustain pedal with the ability to connect to the Sustain Pedal input on Keystation 61 MK3.

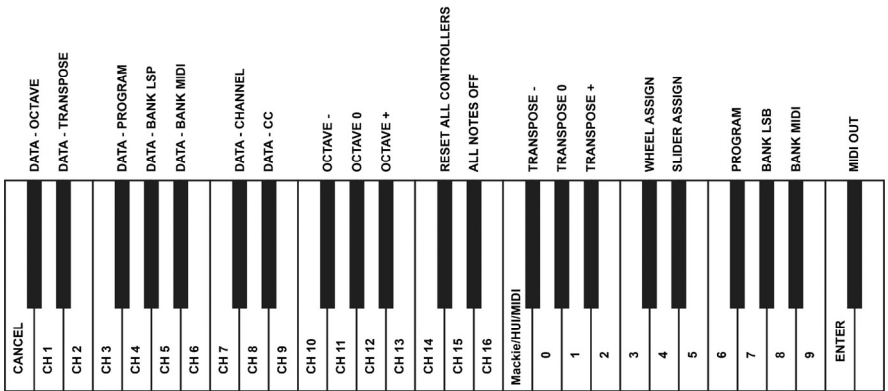
**NOTE:** The polarity of the sustain pedal is determined by the keyboard upon startup. When Keystation 61 MK3 is powering up, the sustain pedal is assumed to be in the "up" (Off) position. It is important that the sustain pedal is not pressed during startup, otherwise the pedal will reverse its operation, and notes will sustain when the pedal is not pressed.

**NOTE:** A foot pedal can be used for sustaining the sound that you are playing without having to keep your hands on the keyboard (just like the sustain pedal on a piano).

You can plug a foot pedal of any polarity into the foot pedal input on your M-Audio keyboard. The keyboard will automatically detect the correct polarity when powering up. If you want to reverse the polarity, simply depress the pedal when you switch on your keyboard.

6. **On/Off Switch:** Use this switch to power the device on or off.

## Advanced Functions



In addition to setting an octave shift, the two OCTAVE "+" and "-" buttons discussed earlier in the manual under the section "Octave Buttons" can also be used to control one of seven MIDI functions.

The first 7 black keys are used to select the function of the octave buttons. Some of the functions that these keys can be used for cannot send out a value less than 0. When used to control these functions, both LEDs above the buttons will remain on, regardless of the current setting of that function.

To select an alternate function:

1. Press the Advanced button, putting the keyboard into Edit Mode.
2. Press the black key that represents the function you want. With the exception of CC, Edit Mode will finish as soon as you have selected the function and you will be able to play notes again.



## Octave Shift

Another method of shifting the Keystation octaves is with the use of the keys labeled “Octave +” and “Octave -”. After the Advanced button has been pressed, placing the keyboard in Edit Mode, pressing these keys will shift the keyboard’s pitch up or down one or more octaves (one for each time pressed). The default octave shift designation is “0” and will be the octave setting each time you power up the keyboard. The lights above the octave buttons indicate that 0 octave shift is set when both are on.

To assign the “+” and “-” keys to control the octave:

1. Press the Advanced button to get the keyboard into Edit Mode.
2. Press the black key representing “OCTAVE”. Edit Mode will finish as soon as OCTAVE has been pressed.

There is also a method of performing a quick octave change, which can be useful when using the octave buttons to control another MIDI function. This is accomplished as follows:

1. Press the Advanced button to put the keyboard in Edit Mode.
2. Press the black key representing “OCTAVE +”, increasing the octave by 1 (you may press it again to increase the octave by 2, and so on). Press the black key representing “OCTAVE -”, decreasing the octave by 1 (you may press it again to decrease the octave by 2, and so on). Press the black key representing “OCTAVE 0” to reset the octave shift to 0.
3. When you have chosen your octave shift press “ENTER,” to select your Octave and leave Edit Mode. Selecting Cancel or Advanced will cancel the selection, and exit from Advanced mode.

## Transposition

In some cases, it may be useful to reduce or increase the pitch by a number of semitones rather than an entire octave. For example, if you are playing a song with a singer that is having difficulty hitting the top notes, you may want to reduce the pitch by one or two semitones. This is achieved using a MIDI function called “Transpose.”

Transpose works in the same way as Octave Shift, except the shift can be up to +/- 12 semitones. As with Octave Shift, there are two ways of transposing the keyboard. You can use the Octave “+” and “-” buttons, or the black keys “TRANSCOPE -,” “TRANSCOPE 0” and “TRANSCOPE +,” respectively.

To assign the Octave “+” and “-” buttons to transpose:

1. Press the Advanced button to engage Edit Mode.
2. Press the black key labeled “TRANSCOPE” (Eb2). (Edit Mode will disengage as soon as “TRANSCOPE” has been pressed.)
3. Press the “+” key and you will hear the pitch of the note you play go up.
4. Press the “-” key to transpose the keyboard down a half-step.
5. Press both “+” and “-” together to return to no transposition change.

# M-AUDIO

## Program Change

Program Changes are used to change the instrument or voice you are using. For the sake of example, we will change the instrument to a bass sound. To do this we need to send a program change of 32. There are two ways to send a program change:

### Incremental/Decremental Program Change:

1. Press the Advanced button.
2. Press the black key labeled "PROGRAM" (F#2).
3. Now the Octave "+" and "-" keys can be used to change the program.
4. Press "+" and continue to play notes until you find the instrument you want.

This method is useful if you want to cycle through different instruments to see which sounds best in your song.

### Quick Select Program Change:

1. Press the Advanced button.
2. Press the black key labeled "PROGRAM #."
3. Press keys "3," "2," "ENTER." Now the keyboard will play a bass sound: Number 32. This method is useful if you want to select a specific number, as is the case here.

If the Octave "+" and "-" keys are selected to vary the Program number (Method 1). Pressing both the "+" and "-" buttons together will recall Program 0, which selects a grand piano sound.

## Bank LSB and Bank MSB

Program Changes are most commonly used to change instruments and voices. However, the number of instruments accessible via Program Changes is limited to 128. Some devices have more than 128 voices and require a different method to access these extra voices. Generally, these devices use Bank LSB and Bank MSB messages.

### Incremental/Decremental Bank LSB and Bank MSB Changes:

1. Press the Advanced button.
2. Press the black key labeled "Bank LSB" (G#2) or "Bank MSB" (Bb2), respectively.
3. Now the Octave "+" and "-" keys can be used to change the Bank LSB or Bank MSB.
4. Press "+" and continue to play notes until you find the instrument you want.

### Using the Quick Select Method:

1. Press the Advanced button.
2. Press the black key labeled "Bank LSB #" or "Bank MSB #," respectively.
3. Press keys "3," "2," "ENTER."

As with Program Change, if the Octave "+" and "-" keys are selected to vary the Bank LSB or MSB number (Method 1). Pressing both the "+" and "-" buttons together will recall Bank 0.

## MIDI Channel

MIDI data from the keyboard can be sent on any of 16 MIDI Channels. However, certain MIDI devices and MIDI software applications require the keyboard to send data on a specified channel. If this is the case, you can change the channel the data is sent using the following method:

1. Press the Advanced button to engage Edit Mode.
2. Press one of the 16 Channel keys (D2 to E4), according to the Channel that you need.

For example, if a device specifies that you need to send data on Channel 10, press the Advanced button, and select Channel 10. The Channel can also be assigned to the Octave “+” and “-” buttons. Once assigned, pressing “+” or “-” will increase or decrease the channel incrementally. When Channel 16 is reached and “+” is pressed, Channel 1 will be selected. Pressing both the “+” and “-” buttons together will recall Channel 1.

## Control Change

To assign the Octave/Data buttons to send Control Change messages that can be toggled on and off, follow these steps:

1. Press the Advanced button to engage Edit Mode.
2. Press the black key labeled "CC" (Eb3).
3. Use the Numerical Data Entry keys G4-B5 to enter the number of the Control Change to assign to the +/- buttons.
4. The unit will transmit the assigned MIDI Control Change messages that toggle on and off (Press once On, Press again Off).

The Octave +/- buttons can also send momentary MIDI Control Change messages. To assign the Octave/Data buttons to Control Change momentary messages, follow these steps:

1. Press the Advanced button to engage Edit Mode.
2. Press the black key labeled "CC" (Eb3) 2 times.

**Note:** The Advanced LED will flash/blink when assigning a momentary CC message to the +/- buttons.

3. Use the Numerical Data Entry keys G4-B5 to enter the number of the Control Change to assign to the +/- buttons.
4. The unit will transmit the assigned MIDI Control Change messages (Press On, Release Off).

# M-AUDIO

## Volume Slider Assignment

To assign the Volume Slider to an effect:

1. Press the Advanced button to engage Edit Mode.
2. Press the black key labeled “FADER.”
3. Use the Numerical Data Entry keys to enter the CC number you want to assign to the Volume Fader.

If you have made an error while entering the numerical data value, you can press the “CANCEL” key to exit Edit Mode without changing the effect assigned to the Volume Slider.

## Modulation Wheel Assignment

It is possible to assign different CC, and MIDI messages to the Modulation Wheel. Some useful messages are: MIDI CC 01 (Modulation), MIDI CC 07 (Volume), MIDI CC 10 (Pan), and MIDI CC 05 (Portamento).

There are 132 messages in total. However, for these messages to have any affect on the sound, the receiving MIDI device must be able to read and respond to these MIDI messages. Most devices will at least respond to volume, modulation, and pan data.

To assign a message to the Modulation Wheel:

1. Press the Advanced button to engage Edit Mode.
2. Press the black key labeled “WHEEL.”
3. Use the Numerical Data Entry keys to enter the number of the message you want to assign to the Modulation Wheel.

If you have made an error while entering the numerical data value, you can press the CANCEL key to exit Edit Mode without changing the effect assigned to the Modulation Wheel.

For the sake of example, we will assign CC number 10 (pan, or balance) to the Modulation Wheel.

1. Press the Advanced button to engage Edit Mode.
2. Press the black key labeled “WHEEL.”
3. Press “1.”
4. Press “0” so you have entered “10.”
5. Press “ENTER.”

## Directional Buttons and Transport Controls

The directional buttons and transport buttons use the MIDI, Mackie Control, or HUI protocols to control certain functions in software that support them.

To select which protocol these buttons use to communicate with your software:

1. Press the Advanced button to get the keyboard into Edit Mode.
2. Press the key labeled “DAW”.

**Note:** "+" and "-" LEDs will be lit green when in Mackie Control mode, red when in HUI mode, and orange when in MIDI mode.

3. Press Enter.

**Note:** Your software must also be set to receive commands from an external device (i.e., Keystation) using the MIDI, Mackie Control, or HUI protocol. MIDI, Mackie Control, and HUI controls are sent on Virtual Port 2.

## Troubleshooting

### General

Here are answers to common questions you may have, using your Keystation keyboard:

**Problem 1: My M-Audio hardware suddenly stopped working after having performed fine since installation.**

**Solution 1:** Switch off the unit and let it sit for 10 seconds. Then restart your computer and try again.

**Problem 2: I have plugged a sustain pedal into my M-Audio keyboard, but it works the wrong way around.**

**Solution 2:** The polarity of the sustain pedal is calculated by the keyboard when it is powered up. On power up, the sustain pedal is assumed to be in the OFF position. So if you want the sustain pedal to be off when it is not depressed, make sure the pedal is not depressed when you power up.

**Problem 3: When I press a key, there is a delay before I hear any sound.**

**Solution 3:** This delay is known as latency. Latency with MIDI signals is due to the software application you are using. MIDI data is simply control data. The MIDI data is read by your software. The software then completes a large number of complex calculations in order to produce the sound you hear—all this takes time.

We strongly recommend a proper audio interface. Refer to [m-audio.com](http://m-audio.com) for a selection of options. If you already have an adequate audio interface, try reinstalling the latest drivers for the audio interface, or try reducing the buffer sizes of the audio drivers.

## **MIDI Functionality**

The Keystation keyboards have been designed to make working with MIDI on your computer as simple as possible. Nonetheless, you may still experience some difficulties. In many cases, the keyboard is not at fault; the problem lies with the receiving device. To counter this, there is a useful MIDI function: **Reset All Controllers**.

### **Reset All Controllers**

If you find there is an effect on a voice that you do not want, rather than having to isolate and identify that effect, you can send a “Reset All Controllers” MIDI message by performing the following:

1. Press the Advanced button to engage Edit Mode.
2. Press the black key representing “RESET.”
3. Edit Mode will disengage, eliminating all effects.

### **Factory Reset**

1. Power off Keystation.
2. Hold down the buttons "+" and "-" simultaneously, until step 4.
3. Power on Keystation.
4. Release the buttons.

The Keyboard is now back to the factory default settings.

### **MIDI Out**

The MIDI Out port is located on the back of the keyboard, and can be used to connect the keyboard to an external sound module or MIDI keyboard.

By default (when you switch the unit on), all controller data is sent out via the MIDI output as well as the USB out. If you want the MIDI output to act like a traditional USB-to-MIDI interface, engage “MIDI Out” mode by carrying out the following:

1. Press the Advanced button to engage Edit Mode.
2. Press the black key representing “MIDI OUT.”
3. Edit Mode will disengage.
4. The keyboard is now able to send data received from the computer via its MIDI OUT jack to whatever device is connected.

In order to use the MIDI output, select the Keystation USB MIDI Out as the MIDI output device in your sequencer.

## Guía del usuario (Español)

### Introducción

Gracias por comprar el Keystation 61 MK3. En M-Audio, sabemos que usted se toma la música en serio. Por eso es que diseñamos nuestros equipos con una sola cosa en mente—hacer que pueda tocar su mejor interpretación.

### Contenido de la caja

Keystation 61 MK3

Cable USB

Tarjetas de descarga de software

Guía del usuario

Manual sobre la seguridad y garantía

### Soporte

Visite [m-audio.com](http://m-audio.com) para ver y descargar la documentación más reciente, los requisitos del sistema y demás información relativa a su producto.

Para obtener soporte adicional del producto, visite [m-audio.com/support](http://m-audio.com/support).

### Inicio rápido

#### Conexión del teclado

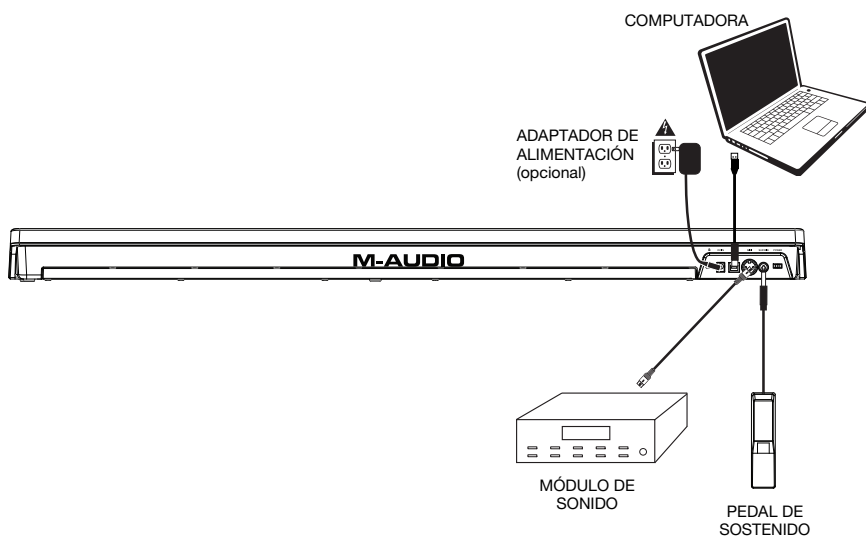
Puede alimentar el teclado a través del bus USB o mediante una fuente de alimentación externa opcional. Los Keystations son dispositivos de bajo consumo de energía por lo cual no es necesaria una fuente de alimentación externa a menos que use el Keystation desconectado del ordenador (por ej., para controlar sintetizadores externos). Le recomendamos conectar el Keystation a un puerto USB nativo o a un concentrador USB alimentado. Use un cable USB para alimentar el Keystation cuando lo conecta a una computadora para disparar sintetizadores de software.

También puede utilizar el Keystation 61 MK3 con su iPad para controlar las aplicaciones de creación de música compatibles.

*La conexión del Keystation 61 MK3 con un iPad requiere el iPad Camera Connection Kit, que está disponible en Apple Store.*

## Instalación

Los elementos que no se enumeran en *Introducción* > *Contenido de la caja* se venden por separado.





## Instalación recomendada

**Pro Tools | First M-Audio Edition:** Hemos incluido Pro Tools | First M-Audio Edition con su Keystation 61 MK3 de modo que puede comenzar a hacer música con software profesional en cuanto lo saca de la caja. Registre su Keystation 61 MK3 en [m-audio.com](http://m-audio.com) y siga las instrucciones de instalación de Pro Tools | First M-Audio Edition en su Cuenta de usuario.

**Ableton Live Lite:** Hemos incluido Ableton Live Lite con su Keystation 61 MK3 de modo que puede comenzar a hacer música con software profesional en cuanto lo saca de la caja. Siga las instrucciones de la tarjeta de descarga de software incluida para instalar Ableton Live Lite.

**Instrumentos virtuales:** Siga las instrucciones de la tarjeta de descarga de software para instalar los plugins de instrumentos virtuales incluidos. Tras la instalación, muchos DAW no cargarán plugins de instrumentos virtuales de forma automática. A fin de acceder a los plugins de instrumentos virtuales con Pro Tools | First M-Audio Edition, deberá seleccionar la carpeta con plugins para que el software explore:

### Carpetas de plugins de Pro Tools | First M-Audio Edition/AAX:

**Windows (32-bit):**

C:\Program Files (x86)\Common Files\Avid\Audio\Plug-Ins

**Windows (64-bit):**

C:\Program Files\Common Files\Avid\Audio\Plug-Ins

**Mac:**

Macintosh HD/Library/Application Support/Avid/Audio/Plug-Ins

### Plugins de Ableton/VST:

**Windows (32-bit):**

C:\Program Files (x86)\VSTplugins

**Windows (64-bit):**

C:\Program Files\VSTplugins

**Mac:**

Macintosh HD/Library/Audio/Plugins/VST

Para establecer su carpeta de plugins en Ableton Live Lite:

1. Vaya al menú **Preferences** (Preferencias).
2. Seleccione la pestaña **File Folder** (Carpeta de archivos). Bajo **Plug-In Sources** (Fuentes de plugin) haga clic en **Browse** (Explorar) y seleccione la carpeta de plugins apropiada.
3. Después de hacer su selección, el botón **Use VST Custom Plug-In Folder** (Usar carpeta de plugins personalizada) debe estar en **ON** (encendido). Si no lo está, haga clic en el botón para encenderlo.
4. Salga del menú **Preferences** (Preferencias).

## M-AUDIO

### Configuración de Ableton Live Lite

1. Primero, conecte el Keystation 61 MK3 a un puerto USB disponible en su ordenador utilizando el cable USB suministrado y ejecute Ableton Live Lite.
2. A continuación, abra la ventana **Preferences** (Preferencias) de su Ableton Live Lite. Seleccione su **dispositivo de audio** en la pestaña **Audio**. Esto dependerá de la interfaz de audio que esté utilizando.

**MAC:** Seleccione **Live > Preferences**

**PC:** Seleccione **Options > Preferences**

3. Seleccione la pestaña **MIDI / Sync** (MIDI / Sincronización). Dentro de la sección **MIDI Ports** (puertos MIDI), ajuste la configuración como se muestra a continuación:  
Junto a **Input:** (Entrada) **Keystation 61 MK3**, conmute el botón **On** en las columnas **Track** y **Remote** (pista y remoto).  
Junto a **Output:** (Salida) **Keystation 61 MK3**, conmute el botón **On** en las columnas **Track** y **Remote** (pista y remoto).
4. A continuación, en la parte superior de la ventana debajo de la superficie de control, seleccione **MackieControl** de la lista desplegable de la fila 1. Debajo de la columna **Input** (entrada) en la fila 1, seleccione Keystation 61 MK3 (Port 2). Asegúrese de que el tercer menú desplegable de la fila 1 de bajo de Output, este ajustado en "None" (ninguno). El control de transporte (reproducir, detener y grabar) del controlador Keystation 61 MK3 ahora controlará e imitará las funciones de transporte del Ableton Live Lite. Además, los botones direccionales del controlador de la serie Keystation ahora controlarán la selección de pistas y la ejecución de clips.
5. Cierre la ventana **Preferences** (Preferencias).
6. En la columna **Name** (Nombre) justo a la derecha de la columna Categorías, localice el Instrumento o Plugin de su elección. **Haga clic y arrastre** el instrumento sobre una pista MIDI en Ableton Live Lite para cargarlo.  
El instrumento ahora puede dispararse desde Keystation 61 MK3.

### Configuración del Pro Tools | First M-Audio Edition

1. Conecte el Keystation 61 MK3 a un puerto USB disponible en su ordenador utilizando el cable USB suministrado y abra Pro Tools | First M-Audio Edition.
2. Abra o cree un proyecto.
3. Seleccione el menú desplegable **Setup** y abra **MIDI Input Devices**. Active **MIDI Input** desde el Keystation 61 MK3 haciendo clic en la casilla junto al Keystation 61 MK3.
4. Seleccione el menú desplegable **Setup** y abra **Playback Engine**. Seleccione su dispositivo de audio en el menú desplegable **Playback Engine**.
5. Para crear una pista de un instrumento nuevo, seleccione el menú desplegable **Track** y seleccione **New**.
6. En el menú desplegable **New**, seleccione **Stereo** y luego **Instrument Track**.
7. En la pista recientemente creada, añada un inserto en su pista haciendo clic en los insertos A-E de su pista y seleccionando **Multichannel Plugin > Instrument** y seleccione el instrumento que desea utilizar, como por ejemplo Xpand!2 (Stereo). El plugin ahora puede dispararse desde del Keystation 61 MK3.

**Nota:** Los usuarios de Windows necesitarán una tarjeta de sonido externa (como por ejemplo la M-Track 2X2) o un controlador ASIO de baja latencia.

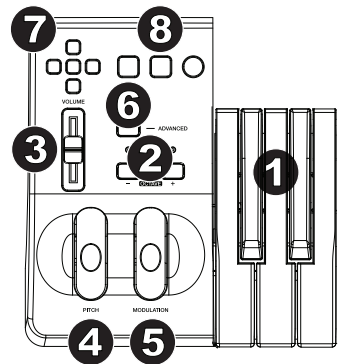
## Guía de inicio rápido

Una vez concluida la instalación deberá configurar su software MIDI para poder utilizar el Keystation. Recuerde que de momento el teclado no producirá ninguna clase de sonido cuando pulse una tecla. Esto se debe a que, al pulsar una tecla, el teclado se limita a enviar datos MIDI. Los datos MIDI son información acerca de cómo debe reproducirse un sonido, pero para poder oírlo necesita configurar su software musical para que lea los datos MIDI que Keystation le envía y los reproduzca de manera adecuada. Muy probablemente, esta configuración implicará la selección del dispositivo adecuado en algún menú “Opciones” o “Configuración de dispositivos” de su software musical. El teclado Keystation aparecerá en sus programas como “Dispositivo de audio USB” (en Windows 7, Windows 8) o como “Keystation 61 MK3” (en otros sistemas operativos). Por favor, consulte el manual suministrado con su software para realizar una configuración correcta.

## Características

### Panel superior

1. **Teclado:** La mayoría de las teclas blancas y negras del Keystation tienen rótulos con nombres. Dentro del menú Advanced (Funciones avanzadas), presionar las teclas rotuladas permitirá realizar operaciones especiales tales como ajustar el canal MIDI, transponer o enviar mensajes de cambio de programa.
2. **Octave Buttons:** Si oprime el botón OCT (octava) “+” una vez, el LED que está arriba del botón de octava “-” se apagará, indicando que la octava del teclado está desplazada hacia arriba. Si pulsa de nuevo el botón de octava “+”, el rango del teclado aumentará en dos octavas, y así sucesivamente. Puede modificar el rango del teclado hasta 4 octavas hacia arriba o hacia abajo partiendo de la posición predeterminada.



Para desplazar la octava hacia abajo, oprima el botón OCT “-” y note que el LED que está arriba del botón de octava “+” se apaga. Si sólo permanece iluminada la tecla de octava “-”, el rango de octavas está desplazado hacia abajo; Si sólo permanece iluminada la tecla de octava “+”, el rango de octavas está desplazado hacia arriba. Los LEDs de octava “+” y octava “-” cambiarán de color cuando se desplace hacia arriba o hacia abajo más de una octava.

Para regresar al rango normal 0, pulse ambas teclas de octava (“+” y “-”) al mismo tiempo. Ambos LEDs se iluminarán para indicar que el rango de octava se encuentra de nuevo en “0”.

Los botones Octave (octava) “+” y “-” pueden asignarse para controlar una de las siete funciones MIDI posibles. (Consulte **Funciones avanzadas** para obtener más información).

## M-AUDIO

3. **Deslizador volume:** El deslizador de volumen envía un mensaje MIDI que controla el volumen de las notas que está tocando.

También puede asignarlo a diferentes efectos, como por ejemplo el panorama (balance), ataque, reverberación o chorus, entre otros. Para más información, consulte la sección **Funciones avanzadas**.

4. **Rueda de pitch bend:** La rueda de pitch bend se usa generalmente para alterar el tono de las notas tocadas en el teclado hacia arriba o hacia abajo, lo cual le permite tocar frases que no se asocian normalmente con un instrumento de teclado, por ejemplo un fraseo de guitarra.

Su fuente de sonido determina el rango en que la rueda de pitch bend altera el tono. El ajuste más común es dos semitonos, aunque puede ser de hasta dos octavas hacia arriba o hacia abajo.

5. **Rueda de modulación:** La rueda de modulación se usa normalmente para modular el sonido que está tocando. Este tipo de controlador en tiempo real se incorporó originalmente en los teclados electrónicos para ofrecer al instrumentista opciones como las de agregar vibrato, tal como lo hace un músico al tocar un instrumento acústico. La rueda de modulación es totalmente asignable vía MIDI.
6. **Advanced Functions botón:** El botón Advanced Functions permite acceder a las funciones avanzadas del teclado.

Al pulsar este botón, el teclado entra en modo de programación. Mientras se encuentre en este modo, las teclas del teclado permiten seleccionar funciones e introducir datos. En el modo de edición, las teclas negras del teclado se usan para seleccionar funciones, mientras que las blancas se usan para entrada de datos y la selección de canales y DAW.

El LED situado sobre el botón Advanced Functions indica si el teclado está o no en modo de programación. Cuando está en modo de programación, las teclas negras permiten seleccionar funciones, mientras que las blancas se usan para introducir datos y seleccionar canales.

Su teclado saldrá del modo Edit (Edición) cuando se seleccione una función o se pulse el botón Advanced, las teclas CANCEL (Cancelar) o ENTER (se encenderá el LED que está arriba del botón Advanced Functions [Funciones avanzadas]). Entonces podrá volver a utilizar el teclado para tocar notas.

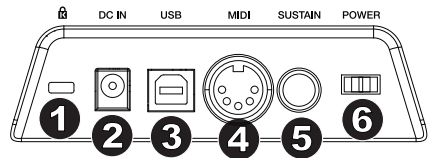
**Nota:** Para más información, consulte la sección **Funciones avanzadas**.

7. **Botones direccionales:** Estos botones pueden usar los protocolos MIDI, Mackie Control® o HUI® para controlar ciertas funciones del software que los soporta. Para más información, consulte la sección **Botones direccionales y botones de transporte** del capítulo **Funciones avanzadas**.
8. **Botones de transporte:** Estos botones pueden usar los protocolos MIDI, Mackie Control, o HUI para controlar ciertas funciones del software que los soporta. Para más información, consulte la sección **Botones direccionales y botones de transporte** del capítulo **Funciones avanzadas**.

## Panel trasero

1. **Bloqueo Kensington:** Use este orificio para fijar un cable de seguridad a la unidad.

2. **Entrada Del Adaptador de Alimentación de CC:** Si no desea alimentar el Keystation por la conexión USB y está usando el conector MIDI para disparar un módulo de sonido externo, conecte aquí un CC 9 V, 500 mA adaptador (que se vende por separado).



3. **Puerto USB:** El puerto USB suministra alimentación al teclado y transmite datos MIDI cuando se conecta a una computadora para disparar un secuenciador MIDI o sintetizador de software.
4. **Salida MIDI:** Use un cable MIDI de cinco pines (que se vende por separado) para conectar este conector hembra a la entrada MIDI de un módulo de sonido externo o a la entrada MIDI de un sintetizador.
5. **Entrada para pedal de sustain:** Esta toma permite conectar un pedal (se vende por separado). Cuando se presiona, este pedal sostiene el sonido que está reproduciendo sin necesidad de tener pulsadas las teclas con los dedos.

**NOTA:** Para lograr un funcionamiento realista del pedal, consulte sobre el SP-2. El SP-2 es el pedal de sostenido conmutable de M-Audio que tiene la capacidad de conectarse a una de las entradas para pedal de sostenido del Keystation 61 MK3.

**ATENCIÓN:** El teclado detecta la polaridad del pedal de sustain en el momento de su puesta en marcha. Al poner en marcha un teclado Keystation, se asume que el pedal de sustain está en posición "inactiva" (Off). Es importante no pulsar el pedal de sustain durante el arranque de la unidad; de lo contrario, el pedal invertirá su funcionamiento y las notas se reproducirán en sostenido cuando no se pulse el pedal.

**ATENCIÓN:** El pedal se usa normalmente para sostener el sonido sin necesidad de mantener las manos sobre el teclado, tal como sucede con un piano acústico. Puede conectar un pedal de cualquier polaridad en la entrada para pedal del teclado. Al ponerse en funcionamiento, el teclado detectará automáticamente la polaridad del pedal conectado. Si desea invertir la polaridad, mantenga el pedal pulsado al poner el teclado en funcionamiento.

6. **Conmutador On/Off:** Este conmutador enciende y apaga la unidad.

CANCEL	DATA - OCTAVE	DATA - TRANSPOSE	DATA - PROGRAM	DATA - BANK LSP	DATA - BANK MIDI	DATA - CHANNEL	DATA - CC	OCTAVE -	OCTAVE 0	OCTAVE +	RESET ALL CONTROLLERS	ALL NOTES OFF	TRANSPOSE -	TRANSPOSE 0	TRANSPOSE +	WHEEL ASSIGN	SLIDER ASSIGN	PROGRAM	BANK LSB	BANK MIDI	MIDI OUT						
CH 1	CH 2	CH 3	CH 4	CH 5	CH 6	CH 7	CH 8	CH 9	CH 10	CH 11	CH 12	CH 13	CH 14	CH 15	CH 16	Mackie/HUI/MIDI	0	1	2	3	4	5	6	7	8	9	ENTER

Además de determinar el cambio de octava, los botones de octava “+” y “-” mencionados anteriormente en la sección “Botones de octava” también pueden usarse para controlar una de las 7 funciones MIDI disponibles.

Las 7 primeras teclas negras se usan para seleccionar la función de los botones de octava. Algunas de las funciones asignadas a estas teclas no admiten valores inferiores a 0. Si usa los botones de octava para controlar dichas funciones, se iluminarán los indicadores situados sobre ambos botones, con independencia del ajuste actual de la función.

Selección de una función alternativa.

1. Pulse el botón Advanced Functions para acceder al modo de programación.
2. Pulse la tecla negra correspondiente a la función deseada. Con la excepción de CC, el modo de edición terminará tan pronto como usted haya seleccionado la función y podrá tocar las notas nuevamente.

### Cambio de octava: Los botones de octava “+” y “-”

Otro método para cambiar el rango de octavas del teclado consiste en usar las teclas etiquetadas como “Octava +” y “Octava-”. Después de pulsar el botón Advanced Functions y haber entrado en modo de programación, pulsando estas teclas podrá cambiar el rango de octavas una o más octavas hacia arriba o abajo (una octava por pulsación). El ajuste de rango de octavas predeterminado es “0”. Éste es también el ajuste que encontrará cada vez que ponga el teclado en funcionamiento. Cuando los indicadores situados sobre los botones de octava están ambos iluminados ello significa que el teclado usa el ajuste predeterminado (“0”).

Para asignar los botones “+” y “-” al control del rango de octavas:

1. Pulse el botón Advanced Functions para acceder al modo de programación.
2. Pulse la tecla negra que representa “OCTAVE”. El teclado abandonará el modo de programación en cuanto pulse OCTAVE.

También existe otro método para cambiar rápidamente el rango de octavas que puede ser útil si usa los botones de octava para controlar otra función. Haga lo siguiente:

1. Pulse el botón Advanced Functions para acceder al modo de programación.
2. Pulse la tecla negra representa "OCTAVA +", desplazando el rango de octava hacia arriba (si la pulsa dos veces, lo desplazará dos octavas, y así sucesivamente). Pulse la tecla negra representa "OCTAVA -", desplazando el rango de octava hacia abajo; si la pulsa dos veces lo desplazará octavas, etc.). Pulse la tecla negra que representa la "OCTAVA 0" para reiniciar el desplazamiento de octavas a 0.
3. Cuando haya elegido su desplazamiento de octavas, pulse "ENTER" para seleccionar su octava y salga del modo de edición. Al seleccionar Cancel o Advanced se cancela la selección y se sale del modo Advanced.

## Transposición

En algunos casos resulta práctico subir o bajar el tono del teclado en un determinado número de semitonos, más que en octavas completas. Por ejemplo, puede que esté tocando una canción con un cantante que tiene dificultades con las notas más altas. En este caso, baje el tono en uno o dos semitonos usando la función MIDI llamada "Transpose". Para hacerlo, use la función MIDI llamada "Transpose" (Transposición).

La transposición funciona de la misma manera que el desplazamiento de octavas, excepto que el desplazamiento puede ser de hasta +/- 12 semitonos. Al igual que sucede con el desplazamiento de octava, existen dos métodos para transportar el tono del teclado. Puede usar los botones de octava "+" y "-", o las teclas negras "TRANSPOSE -," "TRANSPOSE 0" y "TRANSPOSE +," respectivamente.

Asignación de los botones "+" y "-" a la función de transposición:

1. Pulse el botón Advanced Functions para acceder al modo de programación.
2. Pulse la tecla negra representa "TRANSPOSE". El teclado abandonará el modo de programación en cuanto pulse "TRANSPOSE".
3. Pulse la tecla "+" para escuchar como sube el tono del teclado.
4. Pulse la tecla "-" para transponer el teclado medio paso hacia abajo.
5. Pulse "+" y "-" simultáneamente para regresar al estado normal sin transposición.

## Canal

Los datos MIDI del teclado pueden enviarse a través de cualquiera de los 16 canales MIDI. Sin embargo, ciertos dispositivos y programas MIDI requieren que los datos sean enviados por un canal específico. En este caso, cambie el canal a través del cual el teclado envía los datos siguiendo este método:

1. Pulse el botón Advanced Functions para acceder al modo de programación.
2. Pulse una de las 16 teclas de canal (D2 la E4) toque la tecla que corresponda al canal deseado.

Por ejemplo, si trabaja con un dispositivo que debe recibir datos a través del canal 10, pulse el botón Advanced Functions y a continuación toque la para seleccionar el canal 10. También puede asignar la selección de canal a los botones Octave "+" y "-". Una vez asignado, pulsando "+" o "-" aumentará o reducirá el canal. Si pulsa el botón "+" una vez alcanzado el canal 16, se seleccionará el canal 1. Pulsando simultáneamente los botones "+" y "-" seleccionará el canal 1.

### Cambio de control

Para asignar los botones Octave/Data al envío de mensajes de cambio de control que se puedan activar y desactivar, realice los siguientes pasos:

1. Pulse el botón Advanced para activar el modo de edición.
2. Pulse la tecla negra etiquetada "CC" (Eb3).
3. Utilice las teclas de ingreso de datos numéricos G4-B5 para introducir el nombre del cambio de control a asignar a los botones +/-.
4. La unidad transmitirá los mensajes de cambio de control MIDI asignados que se activan y desactivan (pulsar una vez para activar y otra vez para desactivar).

Los botones Octave +/- también pueden enviar mensajes de cambio de control MIDI momentáneos. Para asignar los botones Octave/Data a los mensajes de cambio de control momentáneos, realice los siguientes pasos:

1. Pulse el botón Advanced para activar el modo de edición.
2. Pulse 2 veces la tecla negra etiquetada "CC" (Eb3).  
**Nota:** El LED Advanced (avanzado) parpadeará al asignarle un mensaje de CC momentáneo a los botones +/-.
3. Utilice las teclas de ingreso de datos numéricos G4-B5 para introducir el nombre del cambio de control a asignar a los botones +/-.
4. La unidad transmitirá los mensajes de cambio de control MIDI asignados (mantener pulsado para activar, soltar para desactivar).

### Cambios de programa

Los mensajes de cambio de programa permiten seleccionar el instrumento o "programa" en uso. Por ejemplo, vamos a cambiar el instrumento a un sonido de bajo. Para ello deberemos enviar un mensaje de cambio de programa con un valor de 32, lo cual seleccionará el sonido de bajo acústico. Hay dos maneras de enviar un cambio de programa:

#### Cambio de programa +/-:

1. Pulse el botón Advanced Functions.
2. Pulse la tecla negra etiquetada "PROGRAM". (F#2).
3. Ahora puede utilizar los botones Octave "+" y "-" para cambiar el programa.
4. Pulse "+" y a continuación toque algunas notas; repita la operación hasta encontrar el instrumento que busca.

Este método es útil si desea recorrer distintos instrumentos para ver cuál suena mejor en su tema.

#### Selección rápida de cambio de programa:

1. Pulse el botón Advanced Functions.
2. Pulse la tecla negra que representa "PROGRAM #".
3. Pulse sucesivamente las teclas "3", "2", y "ENTER". Ahora, el teclado esta ajustado para reproducir el sonido de bajo nº 32.

Este método es útil si desea seleccionar un número específico, como en este caso.

Si los botones de octava "+" y "-" están asignados al cambio de programa (método 1). Si pulsa simultáneamente los botones "+" y "-" seleccionará el programa 0 (sonido de piano de cola).



## Banco LSB y Banco MSB

Los cambios de programa son los mensajes que más se utilizan para seleccionar instrumentos y voces. Sin embargo, el número de instrumentos disponibles mediante cambios de programa está limitado a 128. Dado que algunos dispositivos ofrecen más de 128 voces, la selección de estas voces adicionales requiere el uso de un método distinto. Generalmente, dichos dispositivos utilizan mensajes de Banco LSB y Banco MSB.

### Cambio de Banco LSB y Banco MSB +/-:

1. Pulse el botón Advanced Functions.
2. Pulse la tecla negra representan “Banco LSB” y “Banco MSB”, respectivamente.
3. Ahora puede utilizar los botones Octave “+” y “-” para cambiar el Banco LSB y Banco MSB.
4. Pulse “+” y a continuación toque algunas notas; repita la operación hasta encontrar el instrumento que busca.

### Método de selección rápida:

1. Pulse el botón Advanced Functions.
2. Pulse la tecla negra que representan “BANCO LSB” y “BANCO MSB” respectivamente.
3. Pulse sucesivamente las teclas “3,” “2,” “ENTER.”

Al igual que ocurre con los cambios de programa, si los botones de octava “+” y “-” están asignados al cambio de número de Banco LSB o MSB (método 1). Si pulsa simultáneamente los botones “+” y “-” seleccionará el banco 0.

## Deslizador de volumen

Para asignar el deslizador de volumen a un efecto:

1. Pulse el botón Advanced Functions para acceder al modo de programación.
2. Pulse la tecla negra que representa “FADER”.
3. Use las teclas de datos numéricos para introducir el número de CC que desea asignar al fader de volumen.

Si comete un error al introducir el valor numérico, pulse la tecla CANCEL (C1) para salir del modo de programación sin modificar el efecto asignado al deslizador de volumen.

## Rueda de modulación

Es posible asignar mensajes de CC y MIDI diferentes a la rueda de modulación. Algunos mensajes útiles son: MIDI CC 01 (Modulación), MIDI CC 07 (Volumen), MIDI CC 10 (Paneo o balance) y MIDI CC 05 (Portamento).

Existen 132 mensajes en total. Sin embargo, para que estos mensajes tengan efecto en el sonido, el dispositivo MIDI receptor debe ser capaz de leer y responder a estos mensajes MIDI. La mayoría de dispositivos responden como mínimo a los datos de volumen, modulación y panorama.

Para asignar un mensaje a la rueda de modulación:

1. Pulse el botón Advanced Functions para acceder al modo de programación.
2. Pulse la tecla negra que representa “WHEEL”.
3. Use las teclas de datos numéricos para introducir el número de mensaje que desea asignar a la rueda de modulación.

## M-AUDIO

Si comete un error al introducir el valor numérico, pulse la tecla CANCEL para salir del modo de programación sin modificar la asignación de efecto.

Por ejemplo, vamos a asignar el efecto número CC 10 (pan o balance) a la rueda de modulación.

1. Pulse el botón Advanced Functions para acceder al modo de programación.
2. Pulse la tecla negra que representa "WHEEL".
3. Pulse "1".
4. Pulse "0" de manera que el valor final sea "10".
5. Pulse "ENTER".

### Botones direccionales y controles de transporte

Los botones direccionales y los botones de transporte usan los protocolos MIDI, Mackie Control, o HUI para controlar ciertas funciones del software que los soporta.

Para seleccionar el protocolo a usar por estos botones para comunicarse con su software:

1. Pulse el botón Advanced Functions para poner el teclado el modo de edición.
2. Pulse la tecla que representa DAW.  
**Nota:** Los LED "+" y "-" se iluminarán de verde cuando se encuentren en modo Mackie Control de rojo cuando se encuentren en modo HUI y de naranja cuando se encuentren en modo MIDI.
3. Pulse ENTER.  
**Nota:** Su software debe estar también configurado para recibir comandos desde un dispositivo externo (como el Keystation) usando el protocolo MIDI, Mackie Control o HUI. Los controles Mackie y HUI se envían por el puerto virtual 2.

## Resolución de problemas

### General

He aquí las respuestas a algunas preguntas frecuentes relacionadas con su teclado Keystation:

**Problema 1: Mi hardware M-Audio ha dejado de funcionar de repente, cuando hasta ahora lo he estado utilizando sin problemas.**

**Solución 1:** Apague la unidad durante unos 10 segundos. A continuación, reinicie la computadora e inténtelo de nuevo. Si el problema persiste, quizá deberá reinstalar los controladores de la unidad.

**Problema 2: He conectado un pedal de sustain a mi teclado pero funciona al revés de como yo esperaba.**

**Solución 2:** El teclado detecta la polaridad del pedal de sustain en el momento de su puesta en marcha, asumiendo que el pedal está en posición OFF. Por lo tanto, si desea que el pedal de sustain permanezca desactivado cuando no esté pulsado, asegúrese de que no está pulsado en el momento de poner el teclado en marcha.

**Problema 3: Existe un retardo entre el momento en que toco una tecla y el momento en que escucho el sonido.**

**Solución 3:** Este retardo se conoce como latencia. En las señales MIDI, la latencia se debe al software que esté usando. Los datos MIDI son simplemente datos de control. Los datos MIDI son leídos por el software. A continuación, la aplicación musical realiza una gran cantidad de complejos cálculos para generar el sonido que usted escucha, y estas operaciones necesitan algún tiempo.

Es altamente recomendable utilizar una buena interfaz de audio. Visite [m-audio.com](http://m-audio.com) para encontrar una selección de tarjeta. Si ya dispone de una interfaz de audio adecuada, intente reinstalar la última versión de los controladores o reduzca los tamaños de búfer de los controladores de audio.

## **Funciones MIDI**

Los teclados Keystation han sido diseñados para que pueda trabajar con MIDI en su computadora de la forma más fácil posible. Pero ello no elimina totalmente la posibilidad de que surja algún problema. En muchos casos el problema no estará en el teclado sino en el dispositivo receptor. Para compensar esto, existe una función MIDI de utilidad: **Reset All Controllers**.

### **Reset All Controllers (Reinicio de todos los controladores)**

Si advierte un efecto no deseado sobre una voz, en lugar de preocuparse de buscar el efecto, puede enviar un mensaje MIDI "Reset All Controllers":

1. Pulse el botón Advanced Functions para acceder al modo de programación.
2. Pulse la tecla negra que representa "RESET".
3. Al hacerlo saldrá del modo de programación y se anularán todos los efectos.

### **Factory Reset (Restablecimiento de los Valores Predeterminados de Fábrica)**

1. Apague el Keystation.
2. Mantenga pulsados los botones "+" y "-" simultáneamente, hasta el paso 4.
3. Encienda el Keystation.
4. Suelte los botones.

El teclado tiene ahora nuevamente la configuración predeterminada de fábrica.

### **Salida MIDI**

El puerto de salida MIDI se encuentra en la parte trasera del teclado. Úselo para conectar el teclado a un módulo de sonido o teclado MIDI externo. Cuando ponga el teclado en funcionamiento, todos los datos de controlador serán enviados por defecto a través de la salida MIDI y de la salida USB. Si desea que la salida MIDI funcione como una interfaz USB-MIDI convencional, active el modo "MIDI Out". Para ello, siga estas instrucciones:

1. Pulse el botón Advanced Functions para acceder al modo de programación.
2. Pulse la tecla negra que representa "MIDI OUT".
3. Al hacerlo abandonará el modo de programación.
4. Ahora, el teclado podrá enviar datos procedentes de la computadora a cualquier dispositivo conectado a través del jack MIDI OUT.

Para usar la salida MIDI, seleccione "Keystation USB MIDI Out" como dispositivo de salida MIDI en su secuenciador.

## Guide d'utilisation (Français)

### Présentation

Merci d'avoir fait l'acquisition du Keystation 61 MK3. Chez M-Audio, nous savons à quel point la musique est importante pour vous. C'est pourquoi nous concevons nos produits avec une seule chose en tête — faire de votre performance la meilleure qui soit.

### Contenu de la boîte

Keystation 61 MK3

Câble USB

Cartes de téléchargement de logiciel

Guide d'utilisation

Consignes de sécurité et informations concernant la garantie

### Assistance

Veillez visiter [m-audio.com](http://m-audio.com) pour consulter et télécharger la documentation la plus récente, la configuration requise et les autres informations sur le produit.

Pour de l'assistance supplémentaire, veuillez visiter [m-audio.com/support](http://m-audio.com/support).

### Utilisation rapide

#### Connexion de votre clavier

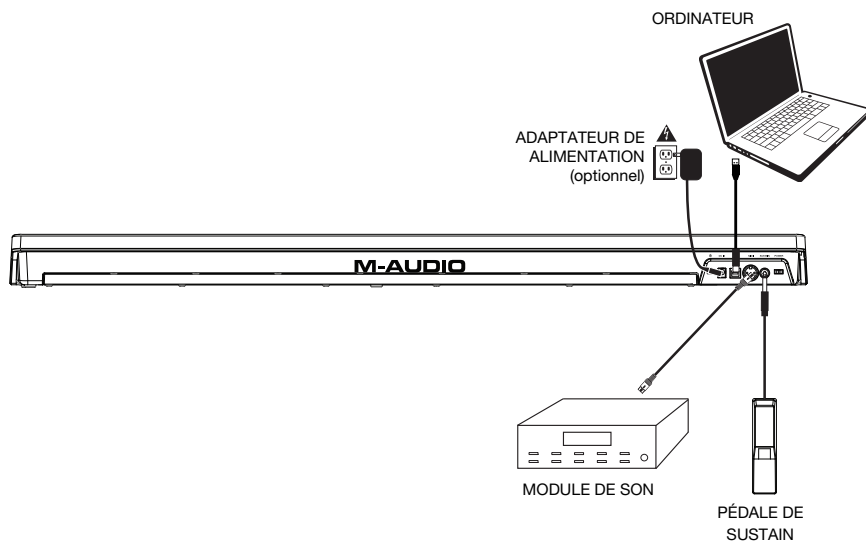
Vous pouvez alimenter votre clavier soit par un port USB alimenté, soit par un bloc d'alimentation externe en option. Les Keystation sont des appareils de faible puissance et n'ont pas besoin d'une alimentation externe à moins qu'ils soient utilisés sans être reliés à un ordinateur, p. ex., lorsqu'ils sont utilisés pour commander des synthétiseurs externes. Il est recommandé de relier le Keystation à un port USB de votre ordinateur ou à un concentrateur USB alimenté. Utilisez un câble USB afin d'alimenter le Keystation lors de la connexion à un ordinateur pour déclencher des synthétiseurs logiciels.

Vous pouvez également utiliser le Keystation 61 MK3 avec votre iPad pour commander les applications de création musicale supportées.

*Afin d'utiliser le Keystation 61 MK3 avec votre iPad, vous devez vous procurer le Kit de connexion d'appareil photo iPad offerte à la boutique Apple Store.*

## Démarrage

Les éléments qui ne figurent pas dans *Présentation* > *Contenu de la boîte* sont vendus séparément.



## Installation recommandée

**Pro Tools | First M-Audio Edition:** Nous avons inclus l'application Pro Tools | First M-Audio Edition avec le Keystation 61 MK3 afin que vous puissiez commencer à créer de la musique avec un logiciel de qualité professionnelle aussitôt que vous le sortez de la boîte. Veuillez enregistrer le Keystation 61 MK3 sur le site [m-audio.com](http://m-audio.com) et suivre les instructions d'installation à partir de votre compte utilisateur.

**Ableton Live Lite :** Nous avons inclus l'application Ableton Live Lite avec le Keystation 61 MK3 afin que vous puissiez commencer à créer de la musique avec un DAW logiciel de qualité professionnelle aussitôt que vous le sortez de la boîte. Veuillez suivre les instructions sur la carte de téléchargement de logiciel afin d'installer le logiciel Ableton Live Lite.

**Instruments virtuels :** Veuillez suivre les instructions sur la carte de téléchargement de logiciel afin d'installer les plug-ins d'instruments virtuels. La plupart des logiciels audionumériques ne chargent pas automatiquement les plug-ins d'instruments virtuels après l'installation. Afin d'accéder aux plug-ins d'instruments virtuels à partir de Pro Tools | First M-Audio Edition et Ableton Live Lite, vous devez sélectionner le dossier des plug-ins afin que le logiciel puisse y accéder :

### Dossiers des plug-ins Pro Tools | First M-Audio Edition/AAX :

#### Windows (32 bits) :

C:\Fichiers de programme (x86)\Fichiers communs\Avid\Audio\Plug-ins

#### Windows (64 bits) :

C:\Fichiers de programme\Fichiers communs\Avid\Audio\Plug-ins

#### Mac :

Macintosh HD/Bibliothèque/Application Support/Avid/Audio/Plug-ins

### Plug-ins Ableton/VST :

#### Windows (32 bits) :

C:\Fichiers de programme (x86)\VSTplugins

#### Windows (64 bits) :

C:\Fichiers de programme\VSTplugins

#### Mac :

Macintosh HD/Bibliothèque\Audio\Plugins\VST

Pour définir le dossier de plug-ins dans Ableton Live Lite :

1. Allez dans le menu **Préférences**.
2. Cliquez sur l'onglet **File Folder**. Sous **Plug-In Sources**, cliquez sur **Browse** et sélectionnez le dossier des plug-ins approprié.
3. Après avoir effectué votre sélection, le bouton **Use VST Custom Plug-In Folder** devrait être **activé**. Si ce n'est pas le cas, cliquez sur le bouton pour l'activer.

Quittez le menu **Préférences**.

## Installation de Ableton Live Lite

1. Utilisez le câble USB fourni pour brancher le Keystation 61 MK3 au port USB d'un ordinateur, puis lancez Ableton Live Lite.
2. Ouvrez ensuite la fenêtre **Préférences** dans Ableton Live Lite. Sélectionnez le **périphérique audio** dans l'onglet **Audio**. Cela dépend de l'interface audio que vous utilisez.

**MAC** : Sélectionnez **Live > Préférences**

**PC** : Sélectionnez **Options > Préférences**

3. Cliquez sur l'onglet **MIDI/Sync**. Dans la section **MIDI Ports**, réglez les paramètres comme indiqué ci-dessous :  
À côté de **Input : Keystation 61 MK3**, basculez le bouton **On** dans les colonnes **Track** et **Remote**.  
À côté de **Output : Keystation 61 MK3**, basculez le bouton **On** dans les colonnes **Track** et **Remote**.
4. Ensuite, dans le haut de la fenêtre sous Surface de contrôle, sélectionnez **MackieControl** à partir de la liste déroulante dans la rangée 1. Sous la colonne **Entrée** dans la rangée 1, sélectionnez l'option Keystation 61 MK3 (Port 2). Veillez à ce que le troisième menu déroulant de la rangée 1 sous Sortie soit réglé sur Aucune. Les commandes de lecture (lecture, arrêt de lecture et enregistrement) du contrôleur Keystation 61 MK3 permettent maintenant de commander les fonctions de lecture du logiciel Ableton Live Lite. De plus, les touches de déplacement du contrôleur Keystation permettent maintenant de sélectionner les pistes et de déclencher des clips.
5. Fermez la fenêtre **Préférences**.
6. Dans la colonne **Name** à droite de la colonne **Categories**, recherchez l'instrument ou le plug-in de votre choix. Cliquez et glissez l'instrument sur une piste MIDI dans Ableton Live Lite pour charger l'instrument. L'instrument peut maintenant être déclenché par le Keystation 61 MK3.

## Installation Pro Tools | First M-Audio Edition

1. Utilisez le câble USB fourni pour brancher le Keystation 61 MK3 au port USB d'un ordinateur, puis lancez Pro Tools | First M-Audio Edition.
2. Ouvrir ou créer un projet.
3. À partir du menu déroulant **Setup**, sélectionnez l'option **MIDI Input Devices**. Activez **MIDI Input** du Keystation 61 MK3 en cochant la case à côté de Keystation 61 MK3.
4. À partir du menu déroulant **Setup**, sélectionnez l'option **Playback Engine**. Sélectionnez votre appareil audio à partir du menu déroulant **Playback Engine**.
5. Pour créer une nouvelle piste d'instrument, sélectionnez l'option **New** à partir du menu déroulant **Track**.
6. À partir du menu déroulant **New**, sélectionnez l'option **Stereo**, puis **Instrument Track**.
7. Dans la nouvelle piste, ajoutez un insert en cliquant sur les Inserts A-E de la piste et en sélectionnant l'option **Multichannel Plugin > Instrument** et l'instrument que vous souhaitez utiliser, comme Xpand!2 (Stereo). Le plug-in peut maintenant être déclenché par le Keystation 61 MK3.

**Remarque** : Les utilisateurs Windows ont besoin d'une carte son externe (tel que M-Track 2X2) ou d'un pilote ASIO à faible latence.

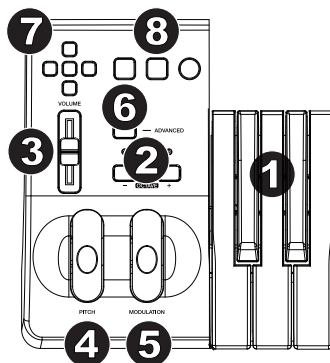
## Démarrage

Une fois l'installation terminée, vous devrez configurer votre logiciel pour utiliser Keystation. Veuillez remarquer que si vous appuyez sur une touche du clavier, vous n'entendrez aucun son. En effet, quand vous appuyez sur une touche, le clavier envoie les données MIDI vers l'extérieur. Les données MIDI donnent des instructions sur la façon dont les sons doivent être joués, mais, pour entendre les sons, vous devez configurer votre logiciel de musique pour la lecture des données MIDI envoyées par le Keystation et pour la diffusion des sons correspondants. Cette configuration vous entraînera certainement vers un menu Options ou Configurations périphériques (Device Set-Up) dans votre logiciel de musique afin d'y sélectionner le périphérique approprié. Le Keystation devrait apparaître dans la section réservée aux périphériques MIDI de votre logiciel sous le nom "USB Audio Device" (Périphérique audio USB) pour Windows 7, Windows 8, ou sous "Keystation 61 MK3" pour les autres systèmes d'exploitation. Veuillez consulter le manuel fourni avec votre logiciel pour une configuration appropriée.

## Caractéristiques

### Panneau supérieur

- Clavier:** La plupart des touches blanches et noires du Keystation sont étiquetées avec des noms. À partir du menu Advanced, les touches étiquetées permettent d'effectuer des opérations spéciales telles que le réglage du canal MIDI, la transposition, et la transmission de messages de changement de programme.
- Octave Bouton:** La plupart des touches blanches et noires du Keystation sont étiquetées avec des noms. À partir du menu Advanced, les touches étiquetées permettent d'effectuer des opérations spéciales telles que le réglage du canal MIDI, la transposition, et la transmission de messages de changement de programme. Si vous appuyez encore sur le bouton d'octaves "+", vous monterez encore d'une octave, et ainsi de suite. Il est possible de faire monter ou descendre le clavier de 4 octaves à partir de l'octave de départ 0.



Si vous appuyez une fois sur la touche de décalage d'octave « + », la DEL au-dessus de la touche de décalage d'octave « - » s'éteindra, indiquant que l'octave du clavier joue maintenant une octave plus haut.

Si seule la DEL située au-dessus du bouton d'octaves "-" est allumée, cela signifie que l'octave est décalée vers le bas. Au contraire, si seule la DEL située au-dessus du bouton d'octaves "+" est allumée, cela signifie que l'octave est décalée vers le haut. Les DEL des touches de décalage d'octave « + » et « - » changent de couleur lorsque le clavier est décalé de plus d'une octave vers le haut ou vers le bas.

Pour retourner à l'octave 0, appuyez en même temps sur les deux boutons d'octaves "+" et "-". Les deux témoins lumineux s'allumeront, ce qui indique que l'octave est revenue à 0.



Les touches de sélection de l'octave « + » et « - » peuvent être assignées à l'une des sept fonctions MIDI. (Veuillez consulter la section **Fonctions avancées** afin d'en savoir plus.)

3. **Curseur de volume:** Le curseur de volume envoie un message MIDI qui contrôle le volume des notes que vous jouez. Le curseur de volume peut aussi être assigné à la création de divers effets tels que le panoramique (balance), l'attaque, la reverb, le chorus et bien d'autres. (Reportez-vous au chapitre **Fonctions avancées** pour de plus amples informations.)
4. **Molette de pitch-bend:** Comme son nom l'indique, la molette de pitch-bend est principalement utilisée pour modifier la hauteur tonale des notes jouées sur le clavier. Ceci vous permet de jouer des phrases musicales qui ne sont pas normalement associées au son d'un clavier; par exemple, des riffs de guitare. C'est votre source sonore qui détermine jusqu'à quel point vous pouvez modifier la hauteur tonale de la note. Le réglage habituel est de deux demi-tons, mais il peut aller jusqu'à deux octaves monter ou descendre.
5. **Molette de modulation:** La molette de modulation est généralement utilisée pour moduler le son que vous jouez. Ce type de contrôleur en temps réel a d'abord été implanté sur les claviers électroniques pour offrir au musicien des options telles que l'ajout de vibrato, qui permet d'imiter le travail effectué avec des instruments acoustiques. La molette de modulation est entièrement programmable par MIDI.
6. **Fonctions avancées bouton:** Le bouton «Advanced Functions» (fonctions avancées) est utilisé pour l'accès à toutes les fonctions avancées du clavier.

Quand vous appuyez sur le bouton «Advanced Functions», le clavier se met en mode de programmation. Dans ce mode, les touches sont utilisées pour sélectionner des fonctions et entrer des données. En mode Edit, les touches noires du clavier permettent de sélectionner les fonctions, alors que les blanches permettent de saisir des données et de sélectionner le canal et le logiciel audionumérique.

Le LED situé au-dessus du bouton «Advanced Functions» indique si le clavier se trouve en mode de programmation. Dans le mode de programmation, les touches noires du clavier sont utilisées pour la sélection de fonctions et les touches blanches pour l'entrée de données et le choix des canaux.

Le clavier quitte le mode Edit aussitôt qu'une fonction est sélectionnée, ou que la touche Advanced, CANCEL ou ENTER est enfoncée (la DEL au-dessus de la touche Advanced Functions s'éteindra). Le clavier peut donc être à nouveau utilisé pour produire des notes.

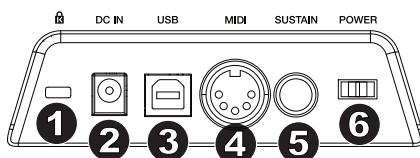
**Remarque :** Veuillez consulter la section **Fonctions évoluées** pour plus d'informations.

7. **Touches de déplacement:** Ces touches peuvent utiliser les protocoles MIDI, Mackie Control® ou HUI® afin de commander certaines fonctions des logiciels audionumériques. Veuillez consulter le paragraphe **Touches de déplacement et de lecture** sous la section **Fonctions évoluées** pour plus d'informations.
8. **Touches de lecture:** Ces touches peuvent utiliser les protocoles MIDI, Mackie Control ou HUI afin de commander certaines fonctions des logiciels audionumériques. Veuillez consulter le paragraphe **Touches de déplacement et de lecture** sous la section **Fonctions évoluées** pour plus d'informations.

## Panneau arrière

1. **Verrou Kensington :** Utilisez ce port pour fixer un câble de sécurité à l'appareil.

2. **Entrée d'Alimentation CC :** Si vous ne désirez pas alimenter le Keystation via la connexion USB et que vous utilisez un connecteur MIDI afin de déclencher un CC 9 V, 500 mA module de son externe, (vendu séparément).



3. **Port USB :** Le port USB permet d'alimenter le clavier et de transmettre des données MIDI lorsqu'il est branché à un ordinateur pour déclencher un synthétiseur ou séquenceur MIDI logiciel.

4. **MIDI OUT :** Branchez un câble MIDI à cinq broches (non inclus) à cette sortie et à l'entrée MIDI IN d'un module de son ou d'un synthétiseur externe.

5. **Entrée pour pédale sustain :** Cette prise accepte une pédale momentanée (vendu séparément). Lorsque cette pédale est enfoncée, le son joué sera maintenu sans avoir à garder les doigts sur les touches.

**REMARQUE :** Pour une pédale piano des plus réalistes, jetez un coup d'oeil sur la SP-2. La SP-2 est la pédale de sustain commutable de M-Audio qui peut être reliée à l'entrée pour pédale de sustain du Keystation 61 MK3.

**REMARQUE :** La polarité de la pédale de sustain est calculée par le clavier quand il est allumé. Quand vous allumez le clavier, celui-ci fait l'hypothèse que la pédale est en position "inactive". Il est important que la pédale de sustain ne soit pas pressée lors du démarrage, pour éviter que son fonctionnement soit inversé et que les notes soient soutenues lorsqu'elle n'est pas pressée.

**REMARQUE :** Vous pouvez utiliser une pédale pour prolonger le son que vous jouez sans avoir à garder les mains sur le clavier (exactement comme la pédale forte (sustain) d'un piano). Vous pouvez brancher une pédale de n'importe quelle polarité dans l'entrée pour pédale de votre clavier M-Audio. Le clavier détectera automatiquement la polarité correcte lors de la mise en marche. Si vous voulez inverser la polarité, appuyez simplement sur la pédale lorsque vous allumez votre clavier.

6. **Interrupteur on/off :** Utilisez cet interrupteur pour allumer ou éteindre le dispositif.

## Les fonctions avancées

CANCEL	DATA - OCTAVE	DATA - TRANSPOSE	DATA - PROGRAM	DATA - BANK LSP	DATA - BANK MIDI	DATA - CHANNEL	DATA - CC	OCTAVE -	OCTAVE 0	OCTAVE +	RESET ALL CONTROLLERS	ALL NOTES OFF	TRANSPOSE -	TRANSPOSE 0	TRANSPOSE +	WHEEL ASSIGN	SLIDER ASSIGN	PROGRAM	BANK LSB	BANK MIDI	MIDI OUT						
CH 1	CH 2	CH 3	CH 4	CH 5	CH 6	CH 7	CH 8	CH 9	CH 10	CH 11	CH 12	CH 13	CH 14	CH 15	CH 16	Mackie/HUI/MIDI	0	1	2	3	4	5	6	7	8	9	ENTER

En plus de pouvoir décaler les octaves, les deux boutons d'octaves "+" et "-" que nous avons décrits plus haut dans ce manuel peuvent aussi être utilisés pour commander l'une des 7 fonctions MIDI.

Que les 7 premières touches sont utilisées pour sélectionner la fonction désirée des boutons d'octaves. Certaines des fonctions correspondant à ces touches ne peuvent pas envoyer de valeur plus petite que 0. Quand les boutons d'octaves sont utilisés pour commander ces fonctions, les deux témoins lumineux situés audessus restent allumés, peu importe la configuration actuelle de cette fonction.

Pour sélectionner une fonction alternative :

1. Appuyez sur le bouton «Advanced Functions» pour mettre votre clavier en mode de programmation.
2. Appuyez sur la touche noire qui représente la fonction désirée. À l'exception du CC, le clavier quitte le mode Edit dès que vous sélectionnez une fonction et vous permet à nouveau de jouer des notes.

### Décalage d'octaves : Les touches de décalage d'octaves "+" et "-"

L'autre méthode pour le décalage des octaves du Keystation est l'utilisation des touches libellées "Octave +" et "Octave -". Une fois que vous avez appuyé sur le bouton «Advanced Function», ce qui met le clavier en mode de programmation, le fait d'appuyer sur ces boutons fera monter ou descendre la hauteur tonale du clavier d'une ou de plusieurs octaves (une par pression). Le décalage d'octave par défaut est "0", et vous le retrouverez chaque fois que vous allumerez votre clavier. Quand les deux témoins lumineux situés au-dessus des boutons d'octaves sont allumés, ils indiquent que le décalage d'octaves est de «0».

Pour programmer les touches "+" et "-" afin qu'elles commandent l'octave :

1. Appuyez sur le bouton «Advanced Functions» pour mettre votre clavier en mode de programmation.
2. Appuyez sur la touche noire libellée "OCTAVE". Le clavier quittera le mode de programmation dès que vous aurez appuyé sur OCTAVE.

Il y a une autre méthode pour procéder à un changement rapide d'octave, ce qui peut être utile quand vous utilisez les boutons d'octaves pour la commande d'une autre fonction MIDI.

## M-AUDIO

Pour cela, suivez les instructions ci-dessous :

1. Appuyez sur le bouton «Advanced Functions» pour mettre votre clavier en mode de programmation.
2. Enfoncez la touche noire représente "OCTAVE +", et augmente l'octave d'une unité (vous pouvez appuyer dessus une nouvelle fois pour l'augmenter de 2, et ainsi de suite).  
Enfoncez la touche noire représente "OCTAVE -" et diminue l'octave d'une unité (vous pouvez appuyer dessus une nouvelle fois pour la diminuer de 2, et ainsi de suite).  
Enfoncez la touche noire représentant « OCTAVE 0 » afin de réinitialiser le décalage d'octave à 0.
3. Lorsque vous avez choisi le décalage d'octave, appuyez sur « ENTER » pour sélectionner l'octave et quitter le mode Edit. Sélectionnez Cancel ou Advanced afin d'annuler la sélection et quitter le mode Advanced.

### Changement de commande

Pour programmer les touches de sélection de l'octave pour qu'elles transmettent des messages de changement de commande qui peuvent être activés et désactivés, veuillez suivre les étapes suivantes :

1. Appuyez sur la touche Advanced pour activer le mode Edit.
2. Appuyez sur la touche noire « CC » (Eb3).
3. Utilisez les touches de saisie numérique G4-B5 afin d'entrer le numéro du changement de commande que vous désirez assigner aux touches de sélection de l'octave +/-.
4. L'appareil transmet les messages de changement de commande MIDI assignés lorsque la touche est enfoncée et cesse de transmettre les messages lorsqu'elle est enfoncée de nouveau.

Les touches de sélection de l'octave +/- peuvent également transmettre des messages de changement de commande MIDI momentanés. Pour assigner les touches de sélection de l'octave aux messages de changement de commande momentanés, veuillez suivre les étapes suivantes :

1. Appuyez sur la touche Advanced pour activer le mode Edit.
2. Appuyez deux fois sur la touche noire « CC » (Eb3).  
**Remarque :** La DEL Advanced clignote lorsqu'un message CC momentané est assigné aux touches de sélection de l'octave +/-.
3. Utilisez les touches de saisie numérique G4-B5 afin d'entrer le numéro du changement de commande que vous désirez assigner aux touches de sélection de l'octave +/-.
4. L'appareil transmet les messages de changement de commande MIDI assignés lorsque la touche est enfoncée et cesse de transmettre les messages lorsqu'elle est enfoncée de nouveau.

## Transposition

Il est parfois préférable d'augmenter ou de réduire la hauteur tonale de plusieurs demi-tons plutôt que d'une octave entière. Par exemple, si vous accompagnez un chanteur qui rencontre des difficultés à produire les notes les plus hautes, vous pourriez souhaiter réduire la hauteur tonale d'un ou deux demi-tons. Cela est possible par l'utilisation d'une fonction MIDI appelée "Transpose."

La fonction de transposition fonctionne de la même façon que le décalage d'octave, à ceci près que le décalage est de +/- 12 demi-tons. Comme avec le décalage d'octaves, il y a deux manières de transposer votre clavier. Vous pouvez utiliser les boutons d'octaves "+" et "-" ou les touches noires "TRANSCOPE -," "TRANSCOPE 0" et "TRANSCOPE +".

Pour assigner les boutons d'octaves "+" et "-" à transpose :

1. Appuyez sur le bouton «Advanced Functions» pour mettre votre clavier en mode de programmation.
2. Appuyez sur la touche noire libellée "TRANSCOPE". (Le clavier quittera le mode de programmation dès que vous aurez appuyé sur "TRANSCOPE".)
3. Appuyez sur la touche "+" et vous entendrez monter la hauteur tonale de la note que vous jouez.
4. Appuyez sur la touche de sélection de l'octave « - » afin de transposer le clavier d'un demi-ton vers le bas.
5. Appuyez sur les deux touches de sélection de l'octave « + » et « - » simultanément afin d'annuler toutes les modifications effectuées aux réglages de transposition du clavier.

## Canal

Les données MIDI en provenance du clavier peuvent être envoyées sur n'importe lequel des 16 canaux MIDI. Cependant, certains périphériques ou logiciels MIDI ont besoin que le clavier envoie les données sur un canal précis.

Si c'est le cas, vous pouvez changer le canal par lequel les données sont envoyées en suivant les instructions ci-dessous :

1. Appuyez sur le bouton «Advanced Functions» pour mettre votre clavier en mode de programmation.
2. Enfoncez l'une des 16 touches (D2 le E4) selon le canal dont vous avez besoin.

Par exemple, si un périphérique précise que vous devez envoyer les données sur le canal 10, appuyez sur le bouton «Advanced Functions» et sur la sélectionner le canal 10. Le canal peut aussi être assigné aux boutons d'octaves "+" et "-". Une fois assigné, le fait d'appuyer sur "+" ou "-" sélectionnera le canal précédent ou le canal suivant. Si vous appuyez sur «+» lorsque vous avez déjà atteint le canal 16, le canal 1 sera sélectionné. Si vous appuyez en même temps sur les boutons "+" et "-", le canal 1 sera à nouveau sélectionné.

## M-AUDIO

### Changement de programme

Les changements de programme (Program Changes) servent à changer l'instrument ou la voix que vous utilisez. Par exemple, changeons un instrument et passons en son de basse. Pour cela, nous devons envoyer un changement de programme de valeur 32, qui sélectionnera un son de basse acoustique. Il y a deux méthodes pour envoyer un changement de programme :

#### Changement de programme +/-

1. Appuyez sur le bouton «Advanced Functions».
2. Appuyez sur la touche noire « PROGRAM ». (F#2).
3. Les touches d'octaves “+” et “-” peuvent maintenant servir au changement de programme.
4. Appuyez sur “+” et continuez à jouer des notes jusqu'à ce que vous trouviez l'instrument que vous désirez.

Cette méthode est utile si vous voulez faire défiler différents instruments afin de déterminer laquelle est plus appropriée pour votre chanson.

#### Changement de programme en sélection rapide :

1. Appuyez sur le bouton «Advanced Functions».
2. Appuyez sur la touche noire libellée «PGM #».
3. Appuyez sur les touches “3,” “2,” “ENTER.” Maintenant, le clavier jouera un son de basse : numéro 32.

Elle est également utile lorsque vous souhaitez sélectionner un numéro spécifique, comme c'est le cas ici.

Si les touches d'octaves “+” et “-” sont sélectionnées pour le changement de programme (première méthode). Si vous appuyez en même temps sur les boutons “+” et “-”, le programme 0 (son de piano) sera à nouveau sélectionné.

### Bank LSB et Bank MSB

Les changements de programme sont le plus souvent utilisés pour changer les instruments et les voix. Cependant, le nombre d'instruments accessibles par changement de programme est limité à 128. Quelques dispositifs ont plus de 128 voix et nécessitent une méthode différente pour accéder à ces voix supplémentaires. En général, ces dispositifs ont recours aux messages Bank LSB et Bank MSB.

#### Changements Bank LSB et Bank MSB +/- :

1. Appuyez sur le bouton «Advanced Functions».
2. Appuyez sur la touche noire libellée respectivement “Bank LSB” ou “Bank MSB”.
3. Les touches d'octaves “+” et “-” peuvent maintenant servir au changement de Bank LSB ou Bank MSB.
4. Appuyez sur “+” et continuez à jouer des notes jusqu'à ce que vous trouviez l'instrument que vous désirez.

#### Sélection rapide :

1. Appuyez sur le bouton «Advanced Functions».
2. Appuyez sur les touches noires libellées respectivement “BANK LSB” ou “BANK MSB”.
3. Appuyez sur les touches “3,” “2,” “ENTER”.

Comme pour le changement de programme, si les touches d'octaves “+” et “-” sont sélectionnées pour changer le numéro Bank LSB ou MSB (méthode 1). Si vous appuyez en même temps sur les boutons “+” et “-”, Bank 0 sera à nouveau sélectionné.

## Le curseur de volume

Pour assigner le curseur de volume à un effet :

1. Appuyez sur le bouton «Advanced Functions» pour mettre votre clavier en mode de programmation.
2. Appuyez sur la touche noire libellée “FADER”.
3. Utilisez les touches de saisie numérique afin d’entrer le numéro CC que vous désirez assigner au curseur de volume.

Si vous avez commis une erreur lors de la saisie de la valeur numérique, enfoncez la touche CANCEL pour quitter le mode de programmation sans changer l’effet assigné au curseur de volume.

## La molette de modulation

Vous pouvez assigner différents messages CC et MIDI à la molette de modulation. Voici quelques messages utiles : MIDI CC 01 (modulation), MIDI CC 07 (volume), MIDI CC 10 (panoramique) et MIDI CC 05 (portamento).

Il y a 132 messages en tout. Afin que les messages MIDI CC puissent avoir un effet sur le son, l’appareil MIDI recevant les messages doit être en mesure de lire et de répondre à ces messages MIDI. (La liste complète des effets se trouve au dos de ce manuel.)

Pour assigner un message à la molette de modulation :

1. Appuyez sur le bouton «Advanced Functions» pour mettre votre clavier en mode de programmation.
2. Enfoncez la touche noire libellée “WHEEL”.
3. Utilisez les touches de saisie numérique afin d’entrer le numéro du message que vous désirez assigner à la molette de modulation.

Si vous avez commis une erreur lors de la saisie de la valeur numérique, enfoncez la touche CANCEL pour quitter le mode de programmation sans changer l’effet assigné à la molette de modulation.

Par exemple, nous allons assigner l’effet numéro CC 10 (panoramique, ou balance) à la molette de modulation.

1. Appuyez sur le bouton «Advanced Functions» pour mettre votre clavier en mode de programmation.
2. Enfoncez la touche noire libellée “WHEEL”.
3. Appuyez “1”.
4. Appuyez “0”. Vous avez ainsi saisi “10”.
5. Appuyez “ENTER”.

## M-AUDIO

### Touches de déplacement et de lecture

Les touches de déplacement et de lecture utilisent les protocoles MIDI, Mackie Control ou HUI afin de commander certaines fonctions des logiciels audionumériques.

Pour sélectionner le protocole qu'utiliseront ces touches afin de communiquer avec votre logiciel :

1. Appuyez sur la touche Advanced Functions afin de mettre le clavier en mode Edit.
2. Appuyez sur la touche représentant DAW.  
**Remarque :** Les DEL « + » et « - » deviennent verte en mode Mackie Control, rouge en mode HUI et orange en mode MIDI.
3. Appuyez sur la touche ENTER.  
**Remarque :** Votre logiciel audionumérique doit également être réglé pour recevoir les commandes d'un dispositif externe (p. ex., le Keystation) à l'aide du protocole MIDI, Mackie Control, ou HUI. Les commandes Mackie et HUI sont transmis sur Virtual Port 2.

### Dépannage

#### General

Voici les solutions aux problèmes les plus fréquents, lors de l'utilisation d'un clavier Keystation :

**Problème 1 : Mon matériel M-Audio a soudainement cessé de fonctionner après un fonctionnement sans problème depuis l'installation.**

**Solution 1 :** Eteignez-le et laissez-le reposer pendant 10 secondes. Puis, redémarrez votre ordinateur et essayez à nouveau. Si le problème persiste, il se peut que vous deviez réinstaller les pilotes de l'appareil.

**Problème 2 : J'ai branché une pédale à mon clavier M-Audio, mais elle fonctionne à l'envers.**

**Solution 2 :** La polarité de la pédale est calculée par le clavier lors de la mise en marche. Lors de la mise en marche, le clavier suppose que la pédale est en position «inactive». Ainsi, si vous souhaitez que la pédale soit inactive quand elle est relâchée, assurez-vous qu'elle est relâchée quand vous allumez le clavier.

**Problème 3 : Quand j'enfonce une touche, il y a un délai avant que j'entende un son.**

**Solution 3 :** Ce délai est plus connu sous le nom de «latence». La latence avec les signaux MIDI est due au logiciel que vous utilisez. Les données MIDI sont juste des données de contrôle. Les données MIDI sont lues par votre logiciel. Le logiciel effectue de nombreux calculs compliqués pour produire le son que vous entendez et ces calculs prennent du temps. Nous vous recommandons fortement de vous procurer une carte son appropriée.

Consultez [m-audio.com](http://m-audio.com) pour découvrir toute une sélection de Interface audio. Si vous avez déjà une Interface audio adéquate, essayez de réinstaller les derniers pilotes pour la Interface audio, ou essayez de réduire la taille de la mémoire tampon des pilotes audio.



## **MIDI : en dernier recours**

Les claviers Keystation ont été conçus pour rendre le travail avec MIDI sur votre ordinateur aussi simple que possible. Il est toutefois possible que vous rencontriez des difficultés. Dans de nombreux cas, les problèmes ne viennent pas du clavier mais plutôt du dispositif récepteur. Pour contrer ceci, il y a une fonction MIDI: **Reset All Controllers**.

### **Reset All Controllers**

Si vous entendez un effet indésirable sur une voix, vous pouvez envoyer un message MIDI «Reset All Controllers» (réinitialiser tous les contrôleurs) plutôt que de devoir isoler et identifier cet effet. Pour cela, suivez les instructions ci-dessous :

1. Appuyez sur le bouton «Advanced Functions» pour mettre votre clavier en mode de programmation.
2. Appuyez sur la touche noire libellée “RESET”.
3. Le clavier quittera le mode de programmation en enlevant tous les effets.

### **Factory Reset**

1. Mettez le Keystation hors tension.
2. Maintenez les touches « + » et « - » enfoncées en même temps, jusqu'à l'étape 4.
3. Mettez le Keystation sous tension.
4. Relâchez les touches.

Les paramètres d'usine du clavier sont maintenant réinitialisés.

### **MIDI Out**

Le port de sortie MIDI se trouve sur la face arrière du clavier, et peut être utilisé pour relier le clavier à un module de son externe ou à un clavier MIDI. Par défaut (quand vous allumez l'appareil), toutes les données du contrôleur sont envoyées par la sortie MIDI et la sortie USB. Si vous voulez que la sortie MIDI fonctionne comme une interface classique «USB vers MIDI», entrez dans le mode “MIDI Out” (sortie MIDI à partir de l'USB) en suivant les instructions ci-dessous :

1. Appuyez sur le bouton «Advanced Functions» pour mettre votre clavier en mode de programmation.
2. Appuyez sur la touche noire libellée “MIDI OUT.”
3. Le clavier quittera le mode de programmation.
4. Le clavier peut maintenant envoyer les données en provenance de l'ordinateur sur sa sortie MIDI (MIDI Out) en direction de n'importe quel périphérique qui y serait connecté.

Vous devez sélectionner la sortie USB MIDI de votre Keystation en tant que dispositif de sortie MIDI dans votre séquenceur pour utiliser la sortie MIDI.

## Guida per l'uso (Italiano)

### Introduzione

Grazie per aver acquistato il Keystation 61 MK3. Noi di M-Audio sappiamo che per te la musica è una cosa seria. Ecco perché progettiamo i nostri dispositivi con un unico obiettivo in mente: rendere le tue prestazioni le migliori possibili.

### Contenuti della confezione

Keystation 61 MK3

Cavo USB

Schede per il download del software

Guida per l'uso

Istruzioni di sicurezza e garanzia

### Assistenza

Recarsi alla pagina [m-audio.com](http://m-audio.com) per visualizzare e scaricare la documentazione più recente, requisiti di sistema e altre informazioni in merito a questo prodotto.

Per ulteriore assistenza sul prodotto, recarsi alla pagina [m-audio.com/support](http://m-audio.com/support).

### Inizio rapido

#### Collegamento della tastiera

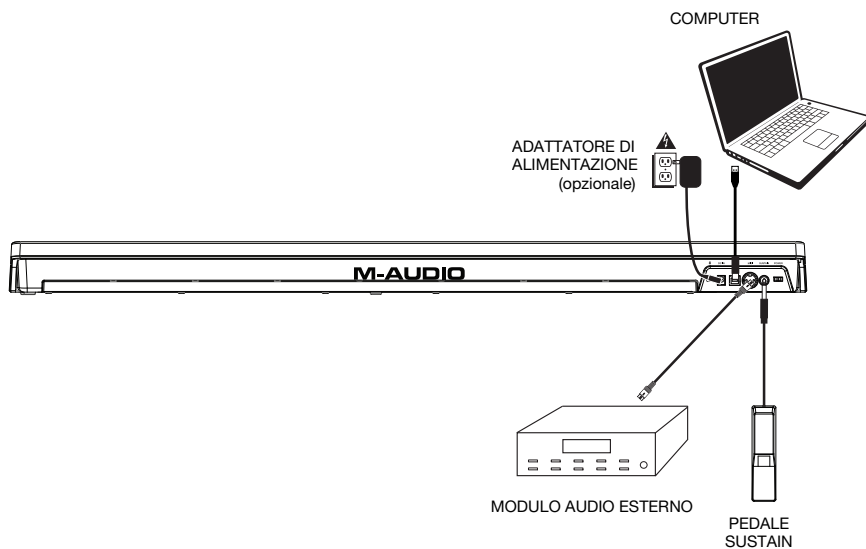
È possibile alimentare la tastiera tramite porta USB o mediante un alimentatore esterno opzionale. I Keystation sono dispositivi a bassa potenza e non richiedono un'alimentazione esterna, a meno che non si utilizzi il Keystation senza collegarlo a un computer (ad es. per controllare sintetizzatori esterni). Si consiglia di collegare la Keystation alla porta USB del computer o a un hub USB alimentato. Servirsi di un cavo USB per alimentare la Keystation quando la si collega a un computer per attivare sintetizzatori software.

Si può inoltre utilizzare la Keystation 61 MK3 con l'iPad per controllare le app di creazione musicale supportate.

*Per collegare la Keystation 61 MK3 a un iPad occorre l'iPad Camera Connection Kit, disponibile presso l'Apple Store.*

## Configurazione

Elementi non elencati sotto *Introduzione* > *Contenuti della confezione* sono venduti separatamente.



### Installazione consigliata

**Pro Tools | First M-Audio Edition:** Con l'Keystation 61 MK3 abbiamo incluso il Pro Tools | First M-Audio Edition in modo da consentirvi di iniziare immediatamente a fare musica con software professionale. Registrare l'Keystation 61 MK3 su [m-audio.com](http://m-audio.com), e seguire le istruzioni di installazione di Pro Tools | First M-Audio Edition nel proprio Account utente.

**Ableton Live Lite:** abbiamo incluso l'Ableton Live Lite con l'Keystation 61 MK3 in modo che possiate iniziare immediatamente a fare musica con software professionale. Seguire le istruzioni presenti nella scheda di download del software in dotazione per installare il Ableton Live Lite.

**Virtual Instruments:** seguire le istruzioni presenti nella scheda di download del software per installare i plugin Virtual Instrument in dotazione. Dopo l'installazione, la maggior parte dei DAW non caricherà i plugin Virtual Instrument automaticamente. Per accedere ai plugin Virtual Instrument con Pro Tools | First M-Audio Edition e Ableton Live Lite, bisogna scegliere la cartella plugin per il software da scansionare:

#### Pro Tools | First M-Audio Edition/AAX cartelle plugin:

##### Windows (32-bit):

C:\Program Files (x86)\Common Files\Avid\Audio\Plug-Ins

##### Windows (64-bit):

C:\Program Files\Common Files\Avid\Audio\Plug-Ins

##### Mac:

Macintosh HD/Library/Application Support/Avid/Audio/Plug-Ins

#### Plugin Ableton/VST:

##### Windows (32-bit):

C:\Program Files (x86)\VSTplugins

##### Windows (64-bit):

C:\Program Files\VSTplugins

##### Mac:

Macintosh HD/Library/Audio/Plugins/VST

Per configurare la cartella plugin in Ableton Live Lite:

1. Recarsi al menu **Preferences** (preferiti).
2. Selezionare la scheda **File Folder** (cartella file). Sotto **Plug-In Sources** (fonti plugin) cliccare su **Browse** e selezionare la giusta cartella dei plugin.
3. Dopo aver effettuato la scelta, il tasto **Use VST Custom Plug-In Folder** dovrebbe essere **acceso (ON)**. Se non lo è, cliccare sul tasto per accenderlo.
4. Uscire dal menu **Preferences** (preferiti).

## Configurazione Ableton Live Lite

1. Innanzitutto, collegare l'Keystation 49 es a una porta USB disponibile del computer servendosi del cavo USB in dotazione e lanciare l'Ableton Live Lite.
2. Quindi aprire la finestra **Preferiti** dell'Ableton Live. Scegliere il **Dispositivo audio** nella scheda **Audio**. Questo dipenderà dall'interfaccia audio che si utilizza.

**MAC:** Selezionare **Live > Preferiti**

**PC:** Selezionare **Opzioni > Preferiti**

3. Selezionare la scheda **MIDI / Sync**. Nella sezione **Porte MIDI**, regolare le impostazioni come illustrato di seguito:  
Accanto a **Input: Keystation 49 es**, commutare il tasto **On** nelle colonne **Track** e **Remote**.  
Accanto a **Output: Keystation 61 MK3**, commutare il tasto **On** nelle colonne **Track** e **Remote**.
4. Quindi, in cima alla finestra sotto Control Surface, scegliere **MackieControl** dall'elenco a discesa della riga 1. Sotto la colonna **Input** nella riga 1, scegliere Keystation 61 MK3 (Port 2). Assicurarsi che il terzo menu a discesa nella riga 1 sotto Output sia impostato su None (nessuno). I comandi di Trasporto (Play, Stop e Record) sul controller Keystation 61 MK3 ora controlleranno corrispondendo con le funzioni di trasporto nell'Ableton Live Lite. Inoltre, i tasti direzionali sul controller serie Keystation controlleranno la scelta delle tracce e l'attivazione di clip.
5. Chiudere la finestra **Preferiti**.
6. Nella colonna **Nome** subito a destra della colonna Categorie, individuare lo Strumento o il Plugin preferito. **Cliccare e trascinare** lo strumento su una traccia MIDI in Ableton Live Lite per caricare lo strumento. Lo strumento può ora essere attivato con l'Keystation 61 MK3.

## Configurazione Pro Tools | First M-Audio Edition

1. Collegare l'Keystation 61 MK3 a una porta USB disponibile del computer servendosi del cavo USB in dotazione e lanciare Pro Tools | First M-Audio Edition.
2. Aprire o creare un progetto.
3. Selezionare il menu a discesa **Setup** e aprire **MIDI Input Devices**. Abilitare l'ingresso **MIDI Input** dell'Keystation 61 MK3 facendo clic sulla casella a fianco a Keystation 61 MK3.
4. Selezionare il menu a discesa **Setup** e aprire **Playback Engine**. Scegliere il dispositivo audio dal menu a discesa **Playback Engine**.
5. Per creare una nuova traccia strumentale, selezionare il menu a discesa **Track** e selezionare **New**.
6. Nel menu a discesa **New** selezionare **Stereo**, e quindi **Instrument Track**.
7. Nella nuova traccia creata, aggiungere un Inserimento alla traccia facendo clic sugli inserti A-E e selezionando **Multichannel Plugin > Instrument** e selezionando lo strumento che si desidera utilizzare, come l'Xpand!2 (Stereo). Il plugin può essere attivato con l'Keystation 61 MK3.

**Nota bene:** gli utenti Windows avranno bisogno di una scheda audio esterna (ad es. M-Track 2X2) o di un driver ASIO a bassa latenza.

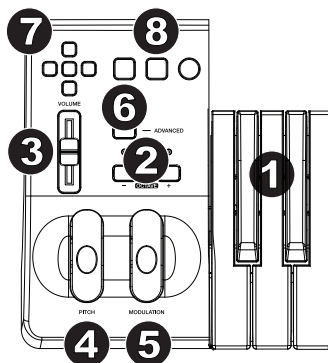
## Guida introduttiva

Una volta terminata l'installazione, è necessario configurare l'applicazione per poter utilizzare Keystation. Infatti, se si preme qualsiasi tasto della tastiera, non si udirà alcun suono. Ciò è dovuto al fatto che la pressione del tasto determina l'invio da parte della tastiera di dati MIDI. Questi forniscono le istruzioni su come riprodurre il suono, ma per udire effettivamente tale suono, occorre configurare il programma musicale per la lettura dei dati MIDI inviati dalla Keystation e per la relativa riproduzione. Per effettuare questa impostazione, è sufficiente accedere al menu Opzioni o Impostazione periferica dell'applicazione e selezionare la periferica adeguata. La Keystation dovrebbe apparire come "Periferica audio USB" in Windows 7, Windows 8, o come "Keystation 61 MK3" negli altri sistemi operativi nella sezione delle periferiche MIDI del programma musicale. Per la corretta procedura di impostazione, consultare il manuale in dotazione al programma.

## Caratteristiche

### Pannello superiore

1. **Tastiera:** La maggior parte dei tasti bianchi e neri del Keystation è contrassegnata da nomi. Quando ci si trova nel menù Advanced (Avanzate), premendo uno qualsiasi dei tasti contrassegnati sarà possibile effettuare operazioni speciali quali regolare il canale MIDI, trasporre e inviare messaggi di modifica di programma.
2. **Pulsanti delle ottave:** Se si preme una volta il tasto ottava "+", il LED al di sopra del tasto ottava "-" si spegne, indicando che le ottave della tastiera sono ora salite. Se si preme nuovamente il pulsante di ottava "+", la tastiera verrà spostata di 2 ottave più in alto. È possibile spostare la tastiera in su o in giù di 4 ottave partendo dallo spostamento di ottava 0.



Per far scendere l'ottava, premere il tasto ottava "-": il LED al di sopra dell'ottava "+" si spegne. Se solo il LED soprastante il tasto di ottava "-" è illuminato, la ottava è spostata in giù; se solo il LED soprastante il tasto di ottava "+" è illuminato, la ottava è spostata in su. I LED ottava "+" e ottava "-" cambieranno colore quando ci si muove, verso l'alto o verso il basso, di più di un'ottava.

Per tornare allo spostamento di ottava 0, premere insieme i pulsanti "+" e "-". Entrambi i LED si illuminano, a indicare che lo spostamento di ottava è tornato a 0.

I tasti Octave "+" e "-" possono essere assegnati al controllo di una di sette possibili funzioni MIDI. (Per maggiori informazioni, si veda **Funzioni Avanzate**.)

3. **Ruota Pitch Bend:** Come indicato dal nome, questa ruota viene generalmente utilizzata per modificare il tono delle note riprodotte dalla tastiera verso l'alto o verso il basso. Ciò consente di suonare fraseggi normalmente non associati alla tastiera, tra cui i riff di chitarra. La sorgente del suono determina l'entità dell'estensione del tono della nota. L'impostazione normale è di due semitoni ma può essere spinta fino a due ottave in su o in giù di.

4. **Ruota Modulation:** Questa ruota viene generalmente utilizzata per la modulazione del suono in esecuzione. Questo tipo di controller in tempo reale è stato originariamente introdotto sugli strumenti a tastiera elettronici per offrire al musicista l'effetto vibrato, tipicamente disponibile con gli strumenti acustici. La ruota modulation è completamente assegnabile via MIDI.
5. **Slider Volume:** Lo slider Volume invia un messaggio MIDI che controlla il volume delle note in esecuzione. Tale slider può anche essere assegnato a effetti diversi, quali pan (bilanciamento), attack, reverb, chorus e molti altri. Per ulteriori informazioni, consultare la sezione di installazione di questo manuale.
6. **Il pulsante Advanced Functions:** Il pulsante Advanced Functions viene utilizzato per accedere a tutte le funzioni avanzate della tastiera.

Una volta premuto, la tastiera passa in “modalità di programmazione”. Durante questa modalità, i tasti possono essere utilizzati per selezionare funzioni e immettere dati. In modalità Edit, i tasti neri della tastiera sono utilizzati per selezionare le funzioni, mentre i tasti bianchi sono utilizzati per inserimento di dati, scelta canali e scelta DAW.

La LED soprastante il pulsante Advanced Functions indica se la tastiera si trova o meno nella modalità di programmazione. In modalità di programmazione, i tasti neri vengono utilizzati per la selezione delle funzioni, mentre quelli bianchi per l'immissione dei dati e la selezione dei canali.

La tastiera scivola fuori dalla modalità Edit non appena una funzione viene selezionata o il tasto Advanced (avanzata), CANCEL (annulla) o ENTER (invio) viene premuto (il LED presente sopra il tasto Advanced Functions - funzioni avanzate - si spegne). La tastiera può essere nuovamente utilizzata per suonare.

**Nota bene:** Fare riferimento al paragrafo **Funzioni avanzate** per maggiori informazioni.

7. **Tasti direzionali:** Questi tasti possono impiegare i protocolli MIDI, Mackie Control® o HUI® per controllare determinate funzioni del software che li supportano. Consultare la sezione **Tasti direzionali e tasti di trasporto** del capitolo **Funzioni avanzate** per maggiori informazioni.
8. **Tasti di trasporto:** Questi tasti possono impiegare i protocolli MIDI, Mackie Control o HUI per controllare determinate funzioni del software che li supportano. Consultare la sezione **Tasti direzionali e tasti di trasporto** del capitolo **Funzioni avanzate** per maggiori informazioni.

## Pannello posteriore

1. **Kensington Lock:** Servirsi di questa porta per fissare un cavo di sicurezza all'apparecchio.

2. **Ingresso adattatore di Alimentazione CC:** Se non si desidera alimentare il Keystation tramite il collegamento USB e si utilizza il connettore MIDI per attivare un modulo audio esterno, collegare un CC 9 V, 500 mA adattatore di alimentazione (venduto separatamente) a questo livello.

3. **Porta USB:** la porta USB fornisce alimentazione alla tastiera e trasmette dati MIDI quando è collegata a un computer per attivare un sintetizzatore software o un sequenziatore MIDI.

4. **MIDI OUT (USCITA MIDI):** Servirsi di un cavo MIDI a cinque poli (venduto separatamente) per collegare questo jack all'ingresso MIDI di un modulo audio esterno o all'ingresso MIDI di un sintetizzatore.

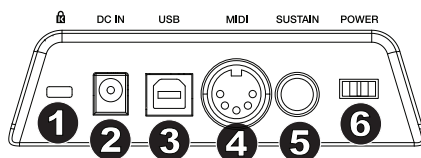
5. **Ingresso per pedale sustain:** Questa presa accetta un pedale a contatto momentaneo (venduto separatamente). Quando premuto, questo pedale sostiene il suono riprodotto senza dover continuare a premere i tasti con le dita.

**NOTA BENE:** per un'azione realistica del pedale, utilizzare l'SP-2. L'SP-2 è il pedale sustain di M-Audio con la capacità di collegarsi all'ingresso Sustain Pedal sul Keystation 61 MK3.

**NOTA:** La polarità del pedale sustain viene determinata dalla tastiera al momento dell'accensione. Quando la tastiera Keystation viene alimentata, il pedale sustain viene ritenuto in posizione "sollevata" (ossia, disattivato). È importante che il pedale sustain non sia premuto durante l'avvio, altrimenti viene invertito il funzionamento del pedale e le note verranno sostenute quando esso non è premuto.

**NOTA:** Il pedale viene normalmente usato per sostenere il suono in esecuzione senza dover tenere le mani sulla tastiera, esattamente come accade con il pianoforte. È possibile collegare un pedale con qualsiasi polarità nell'ingresso "foot switch" della tastiera M-Audio. La tastiera sarà in grado di rilevare la corretta polarità al momento dell'accensione. Se si desidera invertire la polarità, è sufficiente tenere premuto il pedale al momento dell'accensione della tastiera.

6. **Interruttore di accensione/spengimento:** Utilizzare questo interruttore per alimentare o spegnere il dispositivo.





## Funzioni avanzate

	DATA - OCTAVE
	DATA - TRANSPOSE
	DATA - PROGRAM
	DATA - BANK LSP
	DATA - BANK MIDI
	DATA - CHANNEL
	DATA - CC
	OCTAVE -
	OCTAVE 0
	OCTAVE +
	RESET ALL CONTROLLERS
	ALL NOTES OFF
	TRANSPOSE -
	TRANSPOSE 0
	TRANSPOSE +
	WHEEL ASSIGN
	SLIDER ASSIGN
	PROGRAM
	BANK LSB
	BANK MIDI
	MIDI OUT
CANCEL	
CH 1	
CH 2	
CH 3	
CH 4	
CH 5	
CH 6	
CH 7	
CH 8	
CH 9	
CH 10	
CH 11	
CH 12	
CH 13	
CH 14	
CH 15	
CH 16	
Mackie/HUI/MIDI	
0	
1	
2	
3	
4	
5	
6	
7	
8	
9	
ENTER	

Oltre che per l'impostazione dello spostamento di ottava, i due pulsanti di ottava "+" e "-" illustrati in precedenza alla sezione "Pulsanti di ottava" servono per controllare una delle 7 funzioni MIDI disponibili.

I primi 7 tasti vengono utilizzati per selezionare la funzione dei pulsanti di ottava. Alcune funzioni per le quali è possibile usare questi tasti non possono inviare un valore inferior a 0. Se utilizzati per controllare queste funzioni, entrambe le spie soprastanti i pulsanti resteranno accese, a prescindere dall'impostazione corrente di tale funzione.

Per selezionare una funzione alternativa:

1. Premere il pulsante Advanced Functions, portando la tastiera nella modalità di programmazione.
2. Premere il tasto nero che rappresenta la funzione desiderata. Ad eccezione di CC, la modalità Edit finirà non appena si seleziona la funzione e sarà possibile suonare nuovamente le note.

### Spostamento di ottava

I tasti di ottava "Octave +" e "Octave -" Un altro metodo per lo spostamento delle ottave della Keystation è con l'uso dei tasti contrassegnati come ottava "+" e "-". Dopo che il pulsante Advanced Functions è stato premuto, ponendo quindi la tastiera in modalità di programmazione, la pressione di questi tasti estende il pitch in su o in giù di una o più ottave (un'ottava per ogni pressione). L'impostazione di ottava predefinita è "0" e sarà l'impostazione a ogni accensione della tastiera. Se le spie soprastanti i pulsanti di ottava sono entrambe accese, significa che l'ottava è impostata a 0.

Per assegnare i tasti "+" e "-" al controllo delle ottave:

1. Premere il pulsante Advanced Functions per portare la tastiera nella modalità di programmazione.
2. Premere il tasto rappresenta "OCTAVE". La tastiera esce dalla modalità di programmazione non appena si preme il tasto OCTAVE.

È inoltre disponibile un metodo per la modifica 'rapida' dell'ottava, che può essere utile quando si utilizzano i pulsanti di ottava per il controllo di un'altra funzione MIDI. Per fare ciò:

1. Premere il pulsante Advanced Functions per porre la tastiera in modalità di programmazione.
2. Premere il tasto nero rappresenta "OTTAVA +", aumentando l'ottava di 1 (premendolo nuovamente si aumenta l'ottava di 2 e così via). Premere il tasto nero rappresenta "OTTAVA -", diminuendo l'ottava di 1 (premendolo nuovamente si diminuisce l'ottava di 2 e così via). Premere il tasto nero che rappresenta "OCTAVE 0" (ottava 0) per riportare le ottave a 0.
3. Una volta scelto lo spostamento dell'ottava, premere "INVIO" per selezionare l'ottava stessa e lasciare la modalità Edit. Selezionando Cancel o Advanced si cancella la selezione e si esce dalla modalità avanzata.

### Modifica comando

Per assegnare i tasti Octave/Data per inviare messaggi Control Change che possono essere attivati o disattivati, procedere come segue:

1. Premere il tasto Advanced per attivare la modalità Edit.
2. Premere il tasto nero "CC" (Eb3).
3. Servirsi dei tasti numerici G4-B5 per inserire il numero del Control Change da assegnare ai tasti +/-.
4. L'apparecchio trasmetterà i messaggi MIDI Control Change che commutano tra acceso e spento (una pressione On, una nuova pressione Off).

I tasti Octave +/- possono anche inviare messaggi MIDI Control Change temporanei. Per assegnare i tasti Octave/Data a messaggi Control Change temporanei, procedere come segue:

1. Premere il tasto Advanced per attivare la modalità Edit.
2. Premere 2 volte il tasto nero "CC" (Eb3).  
**Nota bene:** il LED Advanced lampeggerà quando si assegna un messaggio CC temporaneo ai tasti +/-.
3. Servirsi dei tasti numerici G4-B5 per inserire il numero del Control Change da assegnare ai tasti +/-.
4. L'apparecchio trasmetterà i messaggi MIDI Control Change (pressione On, rilascio della pressione Off).

## Trasposizione

In alcuni casi è utile ridurre o aumentare il pitch di diversi semitoni invece che di un'intera ottava. Se ad esempio si sta suonando una canzone con un interprete che presenta difficoltà a raggiungere note elevate, è opportuno ridurre il pitch di uno o due semitoni. Questo si ottiene mediante la funzione MIDI denominata "Trasposizione."

Transpose (trasponi) funziona come la funzione Octave Shift, ma lo spostamento può arrivare a +/- 12 semitoni. Come nel caso dello spostamento di ottava, sono disponibili due modi per eseguire la trasposizione della tastiera. È possibile utilizzare i pulsanti di ottava "+" e "-" o i tasti neri "TRASPOSIZIONE -", "TRASPOSIZIONE 0" e "TRASPOSIZIONE +".

Per assegnare i pulsanti di ottava "+" e "-" alla trasposizione:

1. Premere il pulsante Advanced Functions per portare la tastiera nella modalità di programmazione.
2. Premere il tasto nero rappresenta "TRANPOSE" (la pressione del tasto TRANPOSE termina la modalità di programmazione).
3. Premere il tasto "+" per sentire che il pitch della nota si alza.
4. Premere il tasto "-" per trasporre la tastiera verso il basso di un semitono.
5. Premere "+" e "-" contemporaneamente per tornare a non aver alcun cambiamento nella trasposizione.

## Canale

I dati MIDI provenienti dalla tastiera possono essere inviati a uno qualsiasi dei 16 canali MIDI. Tuttavia, determinate periferiche MIDI e programmi MIDI richiedono che la tastiera invii i dati su un canale specifico. In questo caso, è possibile cambiare il canale di invio dei dati mediante il seguente metodo:

1. Premere il pulsante Advanced Functions per portare la tastiera nella modalità di programmazione.
2. Premere uno dei 16 tasti di canale (D2-E4) qualunque sia quello che rappresenta il canale richiesto.

Ad esempio, se la periferica indica che occorre inviare i dati sul canale 10, premere il pulsante Funzione avanzate, quindi il per selezionare il canale 10.

Il canale può essere inoltre assegnato ai pulsanti di ottava "+" e "-". Una volta assegnato, premendo "+" o "-" si aumenta o diminuisce il canale in modo incrementale. Quando viene raggiunto il canale 16 e si preme nuovamente il tasto "+", viene selezionato il canale 1. Premendo insieme i pulsanti "+" e "-" viene richiamato il canale 1.

## Cambio di programma

I cambi di programma vengono utilizzati per cambiare lo strumento o la voce in uso. A titolo di esempio, viene cambiato lo strumento in un suono di basso. Per fare questo occorre un cambio di programma 32, che selezionerà il suono di un basso acustico. Per inviare il cambio di programma sono disponibili due metodi:

### Cambio di programma incrementale e decrementale:

1. Premere il pulsante Advanced Functions.
2. Premere il tasto nero denominato "PROGRAM". (F#2).
3. Ora i tasti di ottava "+" e "-" possono essere usati per cambiare il programma.
4. Premere "+" e continuare a suonare note finché non si trova lo strumento desiderato.

Questo metodo è utile se si desidera passare da uno strumento all'altro per vedere quale suona meglio nella propria canzone.

## M-AUDIO

### **Selezione rapida del cambio di programma:**

1. Premere il pulsante Advanced Functions.
2. Premere il tasto nero sopra F4 (denominato F#4), che rappresenta "Program #".
3. Premere i tasti "3," "2," "ENTER." A questo punto la tastiera è impostata per suonare il suono basso GM 32.

Questo metodo è utile se si desidera selezionare un numero specifico, come in questo caso.

Se sono selezionati i tasti di ottava "+" e "-" per cambiare il numero di programma (metodo 1). Premendo insieme i pulsanti "+" e "-" viene richiamato il programma 0, che seleziona il suono di un gran piano.

### **Banco LSB e Banco MSB**

I cambi di programma sono i messaggi più comunemente usati per cambiare strumenti e voci. Tuttavia, il numero di strumenti accessibili usando i cambi di programma è limitato a 128. Poiché alcune periferiche hanno più di 128 voci, queste richiedono un metodo diverso per accedere alle voci supplementari. Generalmente, questi dispositivi usano messaggi del banco LSB e del banco MSB.

### **Cambio banco LSB e banco MSB incrementale e decrementale:**

1. Premere il pulsante Advanced Functions.
2. Premere il tasto nero rappresenta rispettivamente il "Banco LSB" o il "Banco MSB".
3. Ora i tasti di ottava "+" e "-" possono essere usati per cambiare il Bank LSB O Banco MSB.
4. Premere "+" e continuare a suonare note finché non si trova lo strumento desiderato.

### **Uso del metodo di selezione rapida:**

1. Premere il pulsante Advanced Functions.
2. Premere il tasto nero rappresentano rispettivamente il "BANCO LSB" o il "BANCO MSB".
3. Premere i tasti "3," "2," "ENTER."

Come nel caso del cambio di programma, se sono selezionati i tasti di ottava "+" e "-" per cambiare il numero del banco LSB o MSB (metodo 1). Premendo insieme i pulsanti "+" e "-" si richiama il banco 0.

### **Slider Volume**

Per assegnare lo slider Volume a un effetto:

1. Premere il pulsante Advanced Functions per portare la tastiera nella modalità di programmazione.
2. Premere il tasto nero "FADER."
3. Servirsi dei tasti numerici di inserimento dati per inserire il numero CC che si desidera assegnare al fader volume.

Se si commette un errore durante l'immissione del valore dei dati numerici, è possibile premere il tasto "CANCEL" per uscire dalla modalità di programmazione senza cambiare l'effetto assegnato allo slider Volume.

## Ruota Modulation

È possibile assegnare messaggi CC e MIDI diversi alla rotella di modulazione. Alcuni messaggi utili sono: MIDI CC 01 (Modulazione), MIDI CC 07 (Volume), MIDI CC 10 (Pan) e MIDI CC 05 (Portamento).

In tutto ci sono 132 messaggi. Tuttavia, affinché i messaggi abbiano effetto sul suono, il dispositivo MIDI ricevente deve essere in grado di leggere e rispondere a tali messaggi MIDI. La maggior parte delle periferiche risponderà almeno ai dati di volume, modulation e pan.

Per assegnare un messaggio alla rotella di modulazione:

1. Premere il pulsante Advanced Functions per portare la tastiera nella modalità di programmazione.
2. Premere il tasto nero rappresenta "WHEEL."
3. Servirsi dei tasti numerici di inserimento dati per inserire il numero del messaggio che si desidera assegnare alla rotella di modulazione.

Se si commette un errore durante l'immissione del valore dei dati numerici, è possibile premere il tasto CANCEL per uscire dalla modalità di programmazione senza cambiare l'effetto assegnato alla ruota Modulation.

A titolo di esempio, viene assegnato il numero di effetto CC 10 (pan o balance) alla ruota modulation.

1. Premere il pulsante Advanced Functions per portare la tastiera nella modalità di programmazione.
2. Premere il tasto nero rappresenta "WHEEL."
3. Premere "1."
4. Premere "0" (così facendo si immette "10").
5. Premere "ENTER."

## M-AUDIO

### Tasti direzionali e di trasporto

I tasti direzionali e di trasporto impiegano i protocolli MIDI, Mackie Control o HUI per controllare determinate funzioni del software che li supportano.

Per selezionare quale protocollo utilizzano i tasti per comunicare con il software:

1. Premere il tasto Advanced Functions (funzioni avanzate) per mandare la tastiera in modalità Edit.
2. Premere il tasto che rappresenta DAW.  
**Nota bene:** I LED "+" e "-" saranno accesi di verde in modalità Mackie Control, di rosso in modalità HUI e di arancione in modalità MIDI.
3. Premere invio.

**Nota bene:** il software deve anche essere impostato per ricevere i comandi da un dispositivo esterno (ossia il Keystation) servendosi del protocollo MIDI, Mackie Control o HUI. I comandi Mackie e HUI sono inviati sulla Porta Virtuale 2.

### Risoluzione dei problemi

#### Generali

Di seguito sono riportate risposte relative a problemi comuni che si possono riscontrare nell'uso delle tastiere Keystation:

**Problema 1: l'hardware M-Audio smette improvvisamente di funzionare dopo un normale funzionamento successivo all'installazione.**

**Soluzione 1:** spegnere l'unità e lasciarla spenta per 10 secondi. Quindi riavviare il computer e riprovare. Se il problema persiste, potrebbe essere necessario reinstallare i driver dell'unità.

**Problema 2: è stato collegato il pedale sustain nella tastiera M-Audio, ma questo funziona in modo scorretto.**

**Soluzione 2:** la polarità del pedale sustain viene determinata dalla tastiera al momento dell'accensione. All'accensione, si presume che il pedale sustain si trovi nella posizione OFF. Quindi, se si desidera che il pedale sustain sia spento quando non è premuto, accertarsi che sia in questa posizione al momento dell'accensione.

**Problema 3: quando si preme un tasto, è presente un ritardo prima di poter sentire qualsiasi suono.**

**Soluzione 3:** questo ritardo è noto come latenza. La latenza relativa ai segnali MIDI è dovuta al software in uso. I dati MIDI sono semplici dati di controllo. I dati MIDI vengono letti dal software. Il software esegue quindi un grande numero di calcoli complessi per la creazione del suono emesso: tale operazione richiede tempo.

Si consiglia un' interfaccia audio. Consultare il sito [m-audio.com](http://m-audio.com) per una selezione di schede interfaccia audio. Se invece si dispone di una scheda audio adeguata, provare a installare nuovamente i driver più recenti o ridurre le dimensioni dei buffer dei driver audio.

## **Risoluzione dei problemi MIDI**

Le tastiere Keystation sono state progettate per funzionare con il MIDI sul computer nel modo più semplice possibile. Ciononostante, è possibile che si verifichino alcune difficoltà. In molti casi, la tastiera non è guasta; il problema risiede nella periferica ricevente. Per replicare, è disponibile un'utile funzione MIDI **Reset All Controllers**.

### **Reset All Controllers (Reimposta tutti i controller)**

Se si riscontra un effetto indesiderato su una voce, invece di tentare di scoprire di quale effetto si tratta, è possibile inviare un messaggio MIDI "Reset All Controllers" per impostare tutti gli effetti a 0.

1. Premere il pulsante Advanced Functions per portare la tastiera nella modalità di programmazione.
2. Premere il tasto nero rappresenta "RESET."
3. La modalità di programmazione si disattiva, eliminando tutti gli effetti.

### **Factory Reset (Reset ai Valori Predefiniti di Fabbrica)**

1. Spegnerne il Keystation.
2. Tenere premuti i tasti "+" e "-" contemporaneamente, fino alla fase 4.
3. Accendere il Keystation.
4. Rilasciare i tasti.

La tastiera presenta ora nuovamente le configurazioni di fabbrica.

### **MIDI Out (Uscita MIDI)**

La porta MIDI Out è situata sul retro della tastiera e può essere utilizzata per connettere la tastiera a un modulo sonoro esterno o a una tastiera MIDI. Come impostazione predefinita (quando si accende l'unità), tutti i dati del controller vengono inviati tramite l'uscita MIDI e tramite l'uscita USB.

Se si desidera che l'uscita MIDI agisca come un'interfaccia tradizionale USB-MIDI, attivare la modalità "MIDI Out from USB (Uscita MIDI)" eseguendo le seguenti istruzioni:

1. Premere il pulsante Advanced Functions per portare la tastiera nella modalità di programmazione.
2. Premere il tasto nero rappresenta "MIDI OUT."
3. La modalità di programmazione si disattiva.
4. La tastiera è ora in grado di inviare i dati ricevuti dal computer attraverso il jack MIDI OUT verso qualsiasi periferica connessa.

Per utilizzare l'uscita MIDI, selezionare Keystation USB MIDI Out come dispositivo MIDI di uscita nel sequencer.

## Benutzerhandbuch (Deutsch)

### Einführung

Vielen Dank für den Kauf des Keystation 61 MK3. Wir von M-Audio wissen, wie wichtig Ihnen die Musik ist. Darum entwerfen wir unsere Geräte stets nur mit einem einzigen Ziel vor Augen: Ihre Performance so gut wie möglich zu unterstützen.

### Lieferumfang

Keystation 61 MK3

USB-Kabel

Software-Download-Karten

Benutzerhandbuch

Sicherheitshinweise und Garantieinformationen

### Kundendienst

Besuchen Sie [m-audio.com](http://m-audio.com), um die neueste Dokumentation, Systemanforderungen und andere Informationen über Ihr Produkt aufzurufen und herunterzuladen.

Für zusätzlichen Produkt-Support besuchen Sie [m-audio.com/support](http://m-audio.com/support).

### Schnellstart

#### Anschluss des Keyboards

Sie können das Keyboard entweder über den USB-Anschluss Ihres Computers oder über ein externes Netzteil mit Strom versorgen. Keystations sind Geräte mit niedrigem Stromverbrauch, die nur dann eine externe Stromversorgung benötigen, wenn Sie Keystation verwenden, ohne diese an einen Computer (z. B. zur Steuerung externer Synthesizer) anzuschließen. Wir empfehlen Ihnen, Ihr Keystation-Keyboard an den USB-Anschluss Ihres Computers bzw. an einen USB-Hub anzustecken. Verwenden Sie ein USB-Kabel, um die Keystation mit Strom zu versorgen, wenn Sie sie mit einem Computer verbinden, um Software-Synthesizer anzusteuern.

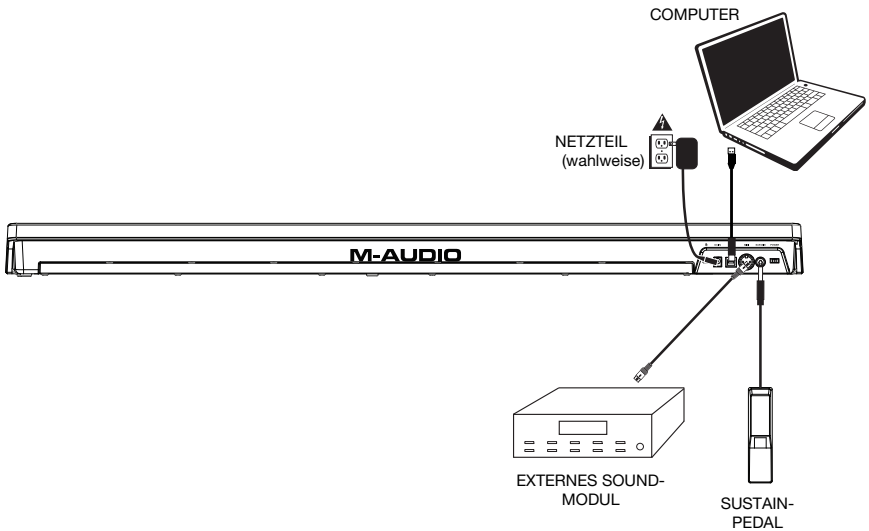
Sie können die Keystation 61 MK3 auch mit Ihrem iPad verwenden, um unterstützte Musikproduktions-Apps zu steuern.

*Um Ihre Keystation 61 MK3 mit einem iPad zu verbinden, ist ein iPad Camera Connection Kit erforderlich, das im Apple Store verfügbar ist.*



**Setup**

Teile, die nicht unter **Einführung** > **Lieferumfang** angegeben sind, sind separat erhältlich.



## Empfohlene Installation

**Pro Tools | First M-Audio Edition:** Wir liefern Keystation 61 MK3 mit Pro Tools | First M-Audio Edition aus, damit Sie Ihre Musikproduktion gleich mit professioneller Software starten können. Registrieren Sie Ihren Keystation 61 MK3 zuerst auf **m-audio.com** und folgen den Installationsanweisungen von Pro Tools | First M-Audio Edition in Ihrem Benutzerkonto.

**Ableton Live Lite:** Wir liefern Keystation 61 MK3 mit Ableton Live Lite aus, damit Sie Ihre Musikproduktion gleich mit professioneller Software beginnen können. Folgen Sie den Anweisungen auf der mitgelieferten Software-Download-Karte für die Installation von Ableton Live Lite.

**Virtuelle Instrumente:** Folgen Sie den Anweisungen auf der Software-Download-Karte für die Installation der mitgelieferten Virtual Instrument Plugins. Nach der Installation werden die meisten DAWs die Virtual Instrument Plugins nicht automatisch laden. Um über Pro Tools | First M-Audio Edition und Ableton Live Lite auf die Virtual Instrument Plugins zuzugreifen, müssen Sie den Plugin-Ordner für die zu scannende Software auswählen:

### Pro Tools | First M-Audio Edition/AAX Plugin-Ordner:

**Windows (32-bit):**

**C:\Programme (x86)\Gemeinsame Dateien\Avid\Audio\Plug-Ins**

**Windows (64-bit):**

**C:\Programme\Gemeinsame Dateien\Avid\Audio\Plug-Ins**

**Mac:**

**Macintosh HD/Library/Application Support/Avid/Audio/Plug-Ins**

### Ableton/VST Plugins:

**Windows (32-bit):**

**C:\Programme (x86)\VSTplugins**

**Windows (64-bit):**

**C:\Programme\VSTplugins**

**Mac:**

**Macintosh HD/Library/Audio/Plugins/VST**

So legen Sie Ihren Plugin-Ordner in Ableton Live Lite fest:

1. Navigieren Sie in das Menü **Einstellungen**.
2. Wählen Sie die **Registerkarte** Dateiordner. Klicken Sie unter **Plug-In-Quellen** auf **Durchsuchen** und wählen den entsprechenden Plugin-Ordner aus.
3. Nach der Auswahl muss die Schaltfläche **VST Custom Plug-In Folder verwenden** **AKTIVIERT** sein. Wenn dies nicht der Fall ist, klicken Sie zur Aktivierung auf die Schaltfläche.
4. Verlassen Sie das Menü **Einstellungen**.

## Ableton Live Lite Setup

1. Verbinden Sie zuerst den Keystation 61 MK3 über das mitgelieferte USB-Kabel mit einem freien USB-Port Ihres Computers und starten Sie Ableton Live Lite.
2. Öffnen Sie danach das **Einstellungen**-Fenster in Ableton Live Lite. Wählen Sie Ihr **Audio-Gerät** in der Registerkarte **Audio**. Dies hängt von der verwendeten Audio-Schnittstelle ab.

**MAC:** Wählen Sie **Live > Einstellungen**

**PC:** Wählen Sie **Optionen > Einstellungen**

3. Wählen Sie die Registerkarte **MIDI / Sync**. Nehmen Sie im Abschnitt **MIDI-Ports** die Einstellungen wie folgt vor:  
Neben **Eingang: Keystation 61 MK3**, aktivieren Sie die Taste **Ein** in den Spalten **Track** und **Remote**.  
Neben **Ausgang: Keystation 61 MK3**, aktivieren Sie die Taste **Ein** in den Spalten **Track** und **Remote**.
4. Wählen Sie oben im Fenster unter Bedienoberfläche aus der Dropdownliste in Reihe 1 die Option **MackieControl** aus. Wählen Sie in der Spalte **Eingang** in Reihe 1 Keystation 61 MK3 (Port 2) aus. Stellen Sie sicher, dass im dritten Dropdownmenü in Reihe 1 unter Ausgang Kei eingestellt ist. Die Transportsteuerung (Wiedergabe, Stopp und Aufnahme) auf dem Keystation 61 MK3-Controller übernimmt nun die Steuerung entsprechend der Transportfunktionen in Ableton Live Lite. Darüber hinaus steuern die Richtungstasten auf dem Controller der Keystation-Serie nun die Auswahl der Tracks und das Triggern der Clips.
5. Schließen Sie das Fenster **Einstellungen**.
6. Suchen Sie in der Spalte **Name** rechts neben der Spalte Kategorien das Instrument oder das Plug-In Ihrer Wahl. **Klicken und ziehen Sie** das Instrument auf eine MIDI-Spur in Ableton Live Lite, um das Instrument zu laden.  
Das Instrument kann nun mit Keystation 61 MK3 getriggert werden.

## Pro Tools | First M-Audio Edition Setup

1. Verbinden Sie zuerst den Keystation 61 MK3 über das mitgelieferte USB-Kabel mit einem freien USB-Port Ihres Computers und starten Sie Pro Tools | First M-Audio Edition.
2. Öffnen oder erstellen Sie ein Projekt.
3. Wählen Sie das **Setup**-Pull-down-Menü und öffnen Sie **MIDI-Eingabegeräte**. Aktivieren Sie die **MIDI-Eingabe** vom Keystation 61 MK3, indem Sie auf das Kästchen neben Keystation 61 MK3 klicken.
4. Wählen Sie das **Setup**-Pull-down-Menü und öffnen Sie **Playback Engine**. Wählen Sie Ihr Audiogerät aus dem **Playback Engine**-Pull-down-Menü.
5. Um eine neue Instrumentenspur zu erstellen, wählen Sie das Pull-down-Menü **Track** und wählen Sie **New**.
6. Wählen Sie im Pull-down-Menü **New** die Option **Stereo** und dann **Instrument Track**.
7. Fügen Sie dem neu erstellten Track ein Insert hinzu, indem Sie in die Inserts A-E Ihres Tracks klicken und **Multichannel Plugin> Instrument** auswählen und das Instrument auswählen, das Sie verwenden möchten, z. B. Xpand! 2 (Stereo). Das Plugin kann jetzt mit Keystation 61 MK3 getriggert werden.

**Hinweis:** Windows-Benutzer benötigen entweder eine externe Soundkarte (z. B. M-Track 2X2) oder einen ASIO-Treiber mit niedriger Latenz.

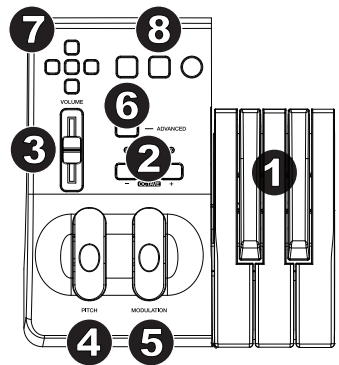
## Erste Schritte

Nach der Installation der Gerätetreiber müssen Sie Ihre MIDI-Software für Keystation konfigurieren. Bitte beachten Sie, dass Sie nach der Treiberinstallation bei Tastendruck noch keinen Sound hören werden, da über Keystation lediglich MIDI-Daten übertragen werden. MIDI-Daten beinhalten Informationen zur Art und Weise der Wiedergabe. Für die tatsächliche Soundwiedergabe müssen Sie Ihre Audiosoftware entsprechend konfigurieren. Im folgenden Abschnitt geben wir Ihnen ausführliche Hinweise zu den Konfigurationsoptionen, die Sie in Ihrer Audiosoftware vornehmen müssen. Im Abschnitt "MIDI-Geräte" Ihrer Audioanwendung sollte Keystation unter der Bezeichnung "USB Audio Device" (Windows 7, Windows 8) bzw. unter der Bezeichnung "Keystation 61 MK3" (sonstige Betriebssysteme) ausgewiesen sein. Genauere Hinweise zur Konfiguration entnehmen Sie bitte dem Benutzerhandbuch Ihrer Audioanwendung.

## Funktionen

### Oberseite

- 1. Keyboard:** Die meisten weißen und schwarzen Tasten auf der Keystation sind beschriftet. Wenn Sie sich im Menü erweitert befinden, können Sie durch Drücken einer der beschrifteten Tasten Sonderfunktionen aktivieren und so den MIDI-Kanal einstellen, transponieren und Programmwechsel senden.
- 2. Oktavtasten:** Wenn Sie die Oktaventaste "+" einmal drücken, erlischt die LED oberhalb der Oktaventaste "-", was anzeigt, dass die Oktave der Tastatur nun nach oben verschoben wurde. Bei erneutem Drücken der Octave Up-Taste ("+") werden die Noten zwei Oktaven höher gesetzt, usw. Mit den Octave Up & Down-Tasten können Sie das Keyboard insgesamt 4 Oktaven nach oben oder unten transponieren.



Um die Oktave nach unten zu verschieben, drücken Sie die Oktaventaste "-". Sie werden feststellen, dass die LED oberhalb der Oktave "+" erlischt. nur die LED über der Octave Down-Taste ("-") leuchtet, werden alle Noten eine Oktave niedriger wiedergegeben. Wenn nur die LED über der Octave Up-Taste ("+") leuchtet, werden alle Noten eine Oktave höher wiedergegeben. Die LEDs der Oktaventasten "+" und "-" ändern die Farbe, wenn Sie mehr als eine Oktave nach oben oder nach unten springen.

Über gleichzeitiges Drücken der Octave Up & Down-Tasten setzen Sie das Keyboard auf die ursprüngliche Oktavlage zurück. In diesem Falle leuchten beide LEDs.

Die Oktavtasten „+“ und „-“ können zugewiesen werden, um eine von sieben möglichen MIDI-Funktionen zu steuern. (Siehe **Erweiterte Funktionen** für weitere Informationen.)

3. **Pitchrad:** Mit dem Pitchrad können Sie die Tonhöhe einzelner Noten während des Spielens verändern. So können Sie Sounds erzeugen, die normalerweise nicht mit Keyboard-Klängen assoziiert werden – zum Beispiel Gitarrenriffs. In welchem Umfang Sie die Tonhöhe verändern können, hängt von Ihrer Soundquelle ab. Normalerweise wird der Bereich von zwei Halbtönen beansprucht; potentiell sind jedoch Tonerweiterungen bis zu zwei Oktaven höher oder niedriger möglich.
4. **Modulationsrad:** Mit dem Modulationsrad können Sie den Klang während des Spielens in Echtzeit modulieren. Diese Funktion wurde ursprünglich für elektronische Keyboardinstrumente entwickelt, um den Performern die Möglichkeit der Einführung von akustischen Effekten wie zum Beispiel Vibratos zu geben. Das Modulationsrad ist absolut MIDI-fähig.
5. **Lautstärke-Slider:** Über den Lautstärke-Slider werden normalerweise MIDI-Befehle zur Regelung der Tonlautstärke gesendet. Sie können dem Slider allerdings auch für andere Kontrollfunktionen wie Pan (Balance), Attack, Reverb, Chorus, uvm. programmieren. Weitere Informationen hierzu entnehmen Sie bitte dem Abschnitt **Erweiterte Funktionen**.
6. **Funktionstaste:** Über die Funktionstaste erhalten Sie Zugriff auf die erweiterten Funktionen Ihres Keystation-Keyboards.

Durch Drücken der Taste setzen Sie das Keyboard in den Edit-Modus. Danach können Sie die gewünschten Funktionen auswählen und die entsprechenden Daten eingeben. Im Bearbeitungsmodus werden die schwarzen Tasten auf dem Keyboard zur Auswahl von Funktionen verwendet, während die weißen Tasten zur Dateneingabe, Kanalauswahl und DAW-Auswahl dienen.

Die LED über dem Taster zeigt an, ob der Edit-Modus aktiviert oder deaktiviert ist. Im Edit-Modus werden die Funktionen über die schwarzen Tasten des Keyboards ausgewählt. Über die weißen Tasten geben Sie die Daten ein und wählen die Kanäle aus.

Die Tastatur wird den Modus Bearbeiten verlassen, sobald eine Funktion ausgewählt oder wenn die Taste Erweitert, ABBRECHEN oder ENTER gedrückt wird (die LED oberhalb der Funktionstaste erlischt). Nach Verlassen des Edit-Modus steht die Tastatur wieder für die Tonerzeugung zur Verfügung.

**Hinweis:** Lesen Sie den Abschnitt **Erweiterte Funktionen** für weitere Informationen.

7. **Richtungstasten:** Diese Tasten können die Protokolle von MIDI, Mackie Control® oder HUI® verwenden, um bestimmte Funktionen in Softwares zu steuern, die diese unterstützen. Bitte beachten Sie den Abschnitt **Richtungstasten und Transport-Tasten** im Kapitel **Erweiterte Funktionen** für nähere Informationen.
8. **Transport-Tasten:** Diese Tasten können die Protokolle von MIDI, Mackie Control oder HUI verwenden, um bestimmte Funktionen in Softwares zu steuern, die diese unterstützen. Bitte beachten Sie den Abschnitt **Richtungstasten und Transport-Tasten** im Kapitel **Erweiterte Funktionen** für nähere Informationen.

## Rückseite

1. **Kensington Lock:** Verwenden Sie diesen Anschluss, um ein Sicherheitskabel am Gerät anzubringen.

2. **DC Power Adapter Input:** Schließen Sie ein (separat erhältliches) Netzteil an, wenn Sie die Keystation nicht über die USB-Verbindung mit Strom versorgen DC 9 V, 500 mA möchten und den MIDI-Anschluss zum Triggern eines externen Sound-Moduls verwenden.

3. **Ein-/Ausschalter:** Der USB-Anschluss versorgt das Keyboard mit Strom und übermittelt MIDI-Daten, wenn es mit einem Computer verbunden ist, um einen Software-Synthesizer oder MIDI-Sequenzler zu triggern.

4. **MIDI Out:** Verwenden Sie ein fünf-poliges MIDI-Kabel (separat erhältlich), um diese Buchse mit dem MIDI IN eines externen Sound-Moduls oder dem MIDI In eines Synthesizers zu verbinden.

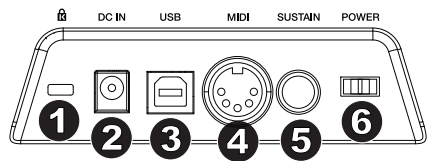
5. **Anschluss für Sustain-Pedal:** Dieser Anschluss ist für ein Sustain-Pedal vorgesehen (separat erhältlich). Wird das Pedal betätigt, so wird es den von Ihnen gespielten Ton halten, ohne dass Sie die Tasten gedrückt halten müssen.

**HINWEIS:** Für realistische Pedalbetätigung bietet sich das SP-2 an. Das SP-2 ist das umschaltbare Sustain-Pedal von M-Audio, das an den Sustain-Pedal-Eingang von Keystation 61 MK3 angeschlossen werden kann.

**HINWEIS:** Die Polarität des Sustain-Pedals wird automatisch ermittelt, sobald Keystation eingeschaltet wird. Standardmäßig wird davon ausgegangen, dass das Sustain-Pedal auf "AUS" (nicht gedrückt) steht. Deshalb sollten Sie das Pedal beim Einschalten des Keyboards nicht betätigen, denn andernfalls wird es verkehrt betrieben, was zur Folge hat, dass die Noten gehalten werden, wenn das Pedal nicht gedrückt wird.

**HINWEIS:** Mit der Pedalfunktion können Sie, wie beim Klavier, die Länge des gespielten Tons verändern, ohne dass Ihre Hände zum Einsatz kommen. Wenn Sie mit einem Fußpedal arbeiten möchten, können Sie dieses an den für Fußpedale vorgesehenen Anschluss anstecken. Pedalfunktion und Polarität werden automatisch beim Einschalten des Keyboards erkannt. Wenn Sie Polarität und Funktion verändern wollen, halten Sie das Pedal beim Einschalten des Keyboards einfach in der gewünschten Funktion (mit oder ohne aufgesetztem Fuß).

6. **Netzschalter** - Schaltet Keystation ein oder aus.



## Erweiterte Funktionen

CANCEL	DATA - OCTAVE	DATA - TRANSPOSE	DATA - PROGRAM	DATA - BANK LSP	DATA - BANK MIDI	DATA - CHANNEL	DATA - CC	OCTAVE -	OCTAVE 0	OCTAVE +	RESET ALL CONTROLLERS	ALL NOTES OFF	TRANSPOSE -	TRANSPOSE 0	TRANSPOSE +	WHEEL ASSIGN	SLIDER ASSIGN	PROGRAM	BANK LSB	BANK MIDI	MIDI OUT						
CH 1	CH 2	CH 3	CH 4	CH 5	CH 6	CH 7	CH 8	CH 9	CH 10	CH 11	CH 12	CH 13	CH 14	CH 15	CH 16	Mackie/HUI/MIDI	0	1	2	3	4	5	6	7	8	9	ENTER

Die beiden Up & Down-Tasten für die Veränderung der Oktavlage (siehe Abschnitt "Oktavtasten") können zusätzlich für die Steuerung der MIDI-Funktionen genutzt werden.

Über Die ersten 7 schwarzen Tasten können sie die gewünschte Spezialfunktion für die Octave Up & Down-Tasten auswählen. Für manche dieser Funktionen können allerdings keine Werte unter 0 gesendet werden. Unabhängig von der zugewiesenen Funktion bleiben die beiden über den Tasten befindlichen LEDs erleuchtet.

Wenn Sie die Funktion umprogrammieren wollen gehen Sie wie folgt vor:

1. Drücken Sie die Funktionstaste, um den Edit-Modus zu aktivieren.
2. Drücken Sie dann diejenige schwarze Taste, deren Funktion Sie auswählen wollen. Mit Ausnahme von CC wird der Bearbeitungsmodus beendet, sobald Sie die Funktion ausgewählt haben, und Sie können sofort wieder Noten spielen.

### Octave Shift Up & Down-Tasten

Drücken Sie die Funktionstaste, um den Edit-Modus zu aktivieren. Drücken Sie dann entweder die Octave Up-Taste ("+"), um die Töne eine Oktave höher wiederzugeben oder die Octave Down-Taste ("-"), um den Oktavbereich nach unten hin zu erweitern. Mit jedem Tastendruck wird die Tonhöhe um eine Oktave verändert. Die Standardeinstellung der Oktavhöhe ist "0". Sie wird aktiviert, sobald Sie das Keyboard einschalten. In dieser Einstellung sind die beiden über den Tasten befindlichen LEDs erleuchtet.

Um die Up & Down-Tasten für eine andere Funktion zu programmieren, gehen Sie wie folgt vor:

1. Drücken Sie die Funktionstaste, um den Edit-Modus zu aktivieren.
2. Drücken Sie die schwarze Taste "OCTAVE". Damit wird der Edit-Modus deaktiviert. Hier ein Tipp, wie Sie den Oktavbereich einfacher verändern können, zum Beispiel, wenn die Up & Down-Tasten bereits mit anderen MIDIFunktionen belegt sind.

## M-AUDIO

So geht's:

1. Drücken Sie die Funktionstaste, um den Edit-Modus zu aktivieren.
2. Zur Einstellung eines höheren Oktavbereichs drücken Sie die schwarze Taste OCTAVE +. Im Edit-Modus entspricht diese Taste der Funktion "OCTAVE +", d.h. der Tonbereich wird eine Oktave erhöht. Drücken Sie die Taste so oft, wie der Oktavbereich erhöht werden soll (bis zu 3 Mal).  
Zur Einstellung eines niedrigeren Oktavbereichs drücken Sie die schwarze Taste entspricht OCTAVE -. Im Edit-Modus entspricht diese Taste der Funktion "OCTAVE -", d.h. der Tonbereich wird eine Oktave herabgesetzt. Drücken Sie die schwarze Taste, die für "OCTAVE 0" steht, um die Verschiebung der Oktaven auf 0 zurückzusetzen.
3. Wenn Sie Ihre Oktaventransponierung gewählt haben, drücken Sie "ENTER", um Ihre Oktave auszuwählen und den Modus Bearbeiten zu verlassen. Wenn Sie Abbrechen oder Erweitert auswählen, wird die Auswahl verworfen und der Modus Erweitert beendet.

### Control Change

Folgen Sie zur Zuweisung der Oktave/Daten-Tasten zum Senden von Control Change-Nachrichten, die ein- und ausgeschaltet werden können, diesen Schritten:

1. Drücken Sie die Taste Advanced, um in den Bearbeitungsmodus zu wechseln.
2. Drücken Sie die schwarze Taste mit der Aufschrift „CC“ (Eb3).
3. Verwenden Sie die Tasten G4-B5 zur numerischen Dateneingabe, um die Control Change-Ziffer einzugeben, die den Tasten +/- zugewiesen wird.
4. Das Gerät überträgt die zugewiesenen MIDI Control Change-Nachrichten, die ein- und ausgeschaltet werden können (einmal Drücken Ein, erneutes Drücken Aus).

Die Oktave +/--Tasten können auch vorübergehende MIDI Control Change-Nachrichten senden. Um den Oktave-/Daten-Tasten vorübergehende MIDI Control Change-Nachrichten zuzuweisen, folgen Sie diesen Schritten:

1. Drücken Sie die Taste Advanced, um in den Bearbeitungsmodus zu wechseln.
2. Drücken Sie zweimal auf die schwarze Taste mit der Aufschrift „CC“ (Eb3).  
**Hinweis:** Die Advanced-LED blinkt, wenn den +/--Tasten eine vorübergehende CC-Nachricht zugewiesen wird.
3. Verwenden Sie die Tasten G4-B5 zur numerischen Dateneingabe, um die Control Change-Ziffer einzugeben, die den Tasten +/- zugewiesen wird.
4. Das Gerät überträgt die zugewiesenen MIDI Control Change-Nachrichten, die ein- und ausgeschaltet werden können (einmal Drücken Ein, erneutes Drücken Aus).

### Transponierung

In bestimmten Fällen werden Sie die Höhe der am Keyboard generierten Töne nur um ein paar Halbtöne verändern wollen. Hierzu können Sie die Pitch-Funktion des Keystation-Keyboards nutzen — zum Beispiel, wenn Ihr begleitender Sänger Schwierigkeiten mit den hohen Tönen hat.

Das Transponieren funktioniert genau wie das Verändern einer Oktave, beim Transponieren können die Töne jedoch um +/- 12 Halbtöne verschoben werden. Sie kann wie folgt aktiviert werden: entweder über die Octave Up & Down-Tasten oder über die schwarzen Keyboardtasten "TRANSPOSE -", "TRANSPOSE 0" und "TRANSPOSE +" entsprechen.



Wenn Sie die Octave Up & Down-Tasten für die Transponierung verwenden wollen, gehen Sie wie folgt vor:

1. Drücken Sie die Funktionstaste, um den Edit-Modus zu aktivieren.
2. Drücken Sie dann die schwarze Taste TRASPOSE, welche für die Funktion "TRANSPOSE" programmiert ist. Danach wird der Edit-Modus beendet.
3. Wenn Sie nun die Octave Up-Taste ("+") drücken, können Sie hören, wie der Ton transponiert wird.
4. Drücken Sie die „-“-Taste, um das Keyboard einen Halbton nach unten zu transponieren.
5. Drücken Sie „-“ und „+“ zusammen, um die Transposition zu beenden.

## Kanal

Mit Keystation verfügen Sie über 16 MIDI-Kanäle für das Senden von MIDI-Daten. Bitte beachten Sie jedoch, dass einige MIDI-Geräte und MIDI-Anwendungen die MIDI-Daten des Keyboards nur über einen bestimmten Kanal empfangen können.

In diesem Fall können Sie den Sendekanal wie folgt einstellen:

1. Drücken Sie die Funktionstaste, um den Edit-Modus zu aktivieren.
2. Drücken Sie die dem zugeordneten Kanal (D2-E4) entsprechende Taste.

Wenn ein MIDI-Gerät zum Beispiel nur auf Kanal 10 empfangen kann, drücken Sie die Funktionstaste und anschließend Kanal 10 auszuwählen. Sie können den Sendekanal auch den Octave Up & Down-Tasten ("+" oder "-") zuweisen.

Nach der Programmierung des Sendekanals können Sie die Kanaleinstellung über die Octave Up & Down-Tasten ("+" oder "-") schrittweise ändern. Sobald Kanal 16 erreicht ist, wird durch erneutes Drücken der Octave Up-Taste wieder Kanal 1 ausgewählt. Um die Auswahl auf Kanal 1 zurückzusetzen, drücken Sie einfach die Octave Up & Down-Tasten gleichzeitig.

## M-AUDIO

### Program Change

Mittels Program Change-Befehlen können Sie zwischen verschiedenen Instrumenten und Stimmen wechseln. Hier ein Beispiel: Sie wollen Ihr aktuelles Instrument durch einen Bass ersetzen. Hierzu können Sie den Program Change-Befehl "32" senden, der aus der General MIDI Instrumentenliste einen Acoustic-Bass-Sound. Es gibt zwei Methoden, Program Change-Befehle auszuwählen:

#### **Aufsteigender / Absteigender Program Change:**

1. Drücken Sie die Funktionstaste, um den Edit-Modus zu aktivieren.
2. Drücken Sie auf die schwarze Taste mit der Aufschrift „PROGRAM“. (F#2).
3. Jetzt können Sie das Programm über die Octave Up & Down-Tasten ändern.
4. Drücken Sie Octave Up-Taste und spielen Sie die Tastatur, bis Sie das gewünschte Instrument gefunden haben.

Diese Methode ist nützlich, wenn Sie durch die verschiedenen Instrumente blättern, um herauszufinden, welcher Sound klanglich am besten zu Ihrem Song passt.

#### **Direkter Program Change:**

1. Drücken Sie die Funktionstaste, um den Edit-Modus zu aktivieren.
2. Drücken Sie die schwarze Taste entspricht der PGM #.
3. Drücken Sie nacheinander die Tasten "3", "2", und "ENTER" ein. Ihr Keyboard ist nun eingerichtet, den Bass-Sound 32.

Diese Methode ist nützlich, wenn Sie - wie in diesem Fall - eine bestimmte Nummer auswählen möchten.

Wenn Sie den Program Change über die Octave Up & Down-Tasten veranlassen. Durch gleichzeitiges Drücken der Octave Up & Down-Tasten wird das Keyboard auf Programm "0" (Konzertflügel) zurückgesetzt.

### Bank LSB und Bank MSB

Program Change ist der am häufigsten verwendete Befehl zur Auswahl von Instrumenten und Stimmen. Allerdings ist die Anzahl der mittels Program Change auszuwählenden Instrumente auf 128 beschränkt. Wenn Sie Geräte mit mehr als 128 Stimmen anzapfen wollen, müssen Sie mit Bank LSB und Bank MSB-Meldungen arbeiten.

#### **Aufsteigender / Absteigender Bankwechsel:**

1. Drücken Sie die Funktionstaste, um den Edit-Modus zu aktivieren.
2. Drücken Sie die schwarze Taste entspricht "Bank LSB" bzw. "Bank MSB".
3. Jetzt können Sie das Bank LSB bzw. Bank MSB über die Octave Up & Down-Tasten ändern.
4. Drücken Sie Octave Up-Taste und spielen Sie die Tastatur, bis Sie das gewünschte Instrument gefunden haben.

#### **Direktauswahl:**

1. Drücken Sie die Funktionstaste, um den Edit-Modus zu aktivieren.
2. Drücken Sie die schwarze Taste entspricht "BANK LSB" bzw. "BANK MSB".
3. Drücken Sie nacheinander die Tasten "3", "2", und "ENTER" ein.

Sie die Änderung dabei immer mit ENTER. Wenn Sie den Bank Change über die Octave Up & Down-Tasten veranlassen. Durch gleichzeitiges Drücken der Octave Up & Down-Tasten wird das Keyboard auf Bank "0" zurückgesetzt.

## Lautstärke-Slider

Gehen sie wie hierzu wie folgt vor:

1. Drücken Sie die Funktionstaste, um den Edit-Modus zu aktivieren.
2. Drücken Sie die schwarze Taste entspricht der Funktion "FADER".
3. Verwenden Sie die Tasten zur numerischen Dateneingabe, um die CC-Ziffer einzugeben, die Sie dem Lautstärke-Fader zuweisen möchten.

Falls Sie einen falschen Zahlenwert eingegeben haben, können Sie den Edit-Modus mit der CANCEL-Taste (C1) verlassen, ohne den programmierten Effekt zu verändern.

## Modulationsrad

Sie können dem Modulationsrad verschiedene CC- und MIDI-Nachrichten zuweisen. Zu den nützlichen Nachrichten zählen: MIDI CC 01 (Modulation), MIDI CC 07 (Lautstärke), MIDI CC 10 (Pan) und MIDI CC 05 (Portamento).

Es gibt insgesamt 132 Nachrichten. Damit diese Nachrichten Auswirkungen auf den Sound haben, muss das empfangende MIDI-Gerät jedoch in der Lage sein, diese MIDI-Nachrichten zu lesen und darauf zu reagieren. (Die komplette Liste aller Effekte finden Sie weiter hinten in diesem Handbuch.)

So weisen Sie dem Modulationsrad eine Nachricht zu:

1. Drücken Sie die Funktionstaste, um den Edit-Modus zu aktivieren.
2. Drücken Sie die schwarze Taste entspricht der Funktion "WHEEL".
3. Verwenden Sie die Tasten zur numerischen Dateneingabe, um die Ziffer der Nachricht einzugeben, die Sie dem Modulationsrad zuweisen möchten.

Falls Sie einen falschen Zahlenwert eingegeben haben, können Sie den Edit-Modus mit der CANCEL-Taste verlassen, ohne den programmierten Effekt zu verändern.

Ein Beispiel: Sie wollen das Modulationsrad für den Effekt CC 10 (Pan bzw. Balance) programmieren.

1. Drücken Sie die Funktionstaste, um den Edit-Modus zu aktivieren.
2. Drücken Sie die schwarze Taste entspricht der Funktion "WHEEL".
3. Drücken "1".
4. Drücken "0". Damit haben Sie "10" eingegeben.
5. Drücken Sie ENTER.

## Richtungstasten und Transportsteuerungen

Die Richtungstasten und Transport-Tasten verwenden die Protokolle von MIDI, Mackie Control oder HUI, um bestimmte Funktionen in Softwares zu steuern, die diese unterstützen.

Um auszuwählen, welches Protokoll diese Tasten verwenden, um mit der Software zu kommunizieren, gehen Sie wie folgt vor:

1. Drücken Sie die Taste Erweiterte Funktionen, um in den Modus Bearbeiten zu gelangen.
2. Drücken Sie die Taste für DAW.  
**Hinweis:** Die LEDs „+“ und „-“ leuchten im Mackie Control-Modus grün, im HUI – Modus rot und im MIDI-Modus orange auf.
3. Drücken Sie Enter.

**Hinweis:** Ihre Software muss außerdem bereit sein, Befehle von einem externen Gerät (d.h. Keystation) unter Verwendung des MIDI, Mackie Control- oder HUI-Protokolls empfangen zu können. Die Mackie- und HUI-Bedienelemente werden über die virtuelle Schnittstelle 2 gesendet.

## Fehlerbehebung

### Allgemeine

Hier finden Sie Antworten auf häufig gestellte Fragen zur Fehlerbehebung bei den Keyboards der Keystation-Serie.

**Problem 1: Mein M-Audio-Gerät funktioniert plötzlich nicht mehr, obwohl es seit der Installation problemlos in Betrieb war.**

**Lösung 1:** Schalten Sie das Gerät für 10 Sekunden aus. Starten Sie Ihren Computer neu. Sollte das Problem weiter bestehen, müssen Sie eventuell die Gerätetreiber neu installieren.

**Problem 2: Ich habe ein Haltpedal an mein Keystation-Keyboard angeschlossen, aber es es funktioniert irgendwie “falsch herum”...**

**Lösung 2:** Das Keyboard errechnet die Polarität des Haltpedals, wenn es eingeschaltet wird. Wahrscheinlich ist das Pedal so eingestellt, dass es beim Einschalten auf AUS steht. Wenn Sie möchten, dass das Pedal “richtig herum” funktioniert, halten Sie es nicht gedrückt, wenn Sie das Keyboard einschalten.

**Problem 3: Wenn ich eine Keyboardtaste drücke, gibt es eine kurze Verzögerung, bevor ich den Sound höre.**

**Lösung 3:** Diese Verzögerung nennt man Latenzzeit. Die Latenzzeit bei der Übertragung von MIDI-Signalen ist von der von Ihnen verwendeten Synthesizer-Software abhängig. Bei MIDI-Daten handelt es sich lediglich um Befehlsdaten, die von Ihrer Synthesizer-Software empfangen werden. Bevor der auf diese Befehlsdaten bezogene Sound ausgegeben werden kann, müssen komplexe Berechnungen erfolgen, woraus sich die zeitliche Verzögerung bei der Soundwiedergabe ergibt.

Um diesem Problem zu begegnen, empfehlen wir Ihnen, eine richtig gute Audio-Schnittstelle einzusetzen. Auf unserer Webseite [m-audio.com](http://m-audio.com) erhalten sie Informationen zu einer Auswahl von. Falls Sie bereits über eine leistungsstarke Audio-Schnittstelle verfügen, sollten Sie die neuesten Treiber installieren oder die Buffergröße der Audio-Treiber heruntersetzen.

## MIDI-Funktionen

Die Keystation-Keyboards wurden so konstruiert, dass die MIDI-Verarbeitung mit ihrem Computer so einfach wie möglich wird. Nichtsdestotrotz können unter Umständen Schwierigkeiten mit den MIDI-Funktionen auftreten. Oft liegt der Fehler in diesen Fällen nicht am Keyboard, sondern am Empfängergerät. Um dem entgegenzuwirken, gibt es eine nützliche MIDI-Funktion : **Reset All Controllers**.

### Controller-Reset

Wenn Sie mit einem der zugewiesenen Effekte nicht zufrieden sind, aber nicht lange herumräteln wollen, welcher Effekt es genau sein könnte, können Sie den MIDI-Befehl "Reset All Controllers" senden und sämtliche Effekte auf 0 zurücksetzen.

1. Drücken Sie die Funktionstaste, um den Edit-Modus zu aktivieren.
2. Drücken Sie die schwarze Taste "RESET".
3. Der Edit-Modus wird nun beendet und die Effekte werden zurückgesetzt.

### Factory Reset

1. Schalten Sie die Keystation aus.
2. Halten Sie die Tasten "+" und "-" bis Schritt 4 gleichzeitig gedrückt.
3. Schalten Sie die Keystation ein.
4. Lassen Sie die Tasten los.

Das Keyboard wurde nun wieder auf die Werkseinstellungen zurückgesetzt.

### MIDI-Ausgang

Über den MIDI-Ausgang an der Rückseite des Keyboards können Sie Ihr Keystation an ein externes Soundmodul oder ein MIDI-Keyboard anschließen. Beim Einschalten des Keyboards werden sämtliche Controller-Daten standardmäßig über den MIDI-Ausgang sowie den USB-Ausgang ausgegeben.

Wenn Sie den MIDI-Ausgang wie ein herkömmliches USB-MIDI Interface einsetzen möchten, können Sie den "MIDI Out"-Modus aktivieren. Gehen Sie hierbei wie folgt vor:

1. Drücken Sie die Funktionstaste, um den Edit-Modus zu aktivieren.
2. Drücken Sie die schwarze Taste "MIDI OUT".
3. Damit verlassen Sie den Edit-Modus.
4. Das Keyboard kann nun die vom Computer empfangenen Daten über den MIDI-Ausgang an jedes angeschlossene MIDI-Gerät senden.

Sie sollten allerdings nicht vergessen, in Ihrem Sequenzer "Keystation USB MIDI Out" als MIDI-Ausgabegerät zu konfigurieren.

## Appendix (English)

## +/- Button User Assignments

00 Bank Select	39 Channel Volume LSB	73 Attack Time
01 Modulation	40 Balance LSB	74 Cut- off Frequency
02 Breath Control	41 Controller 41	75 Controller 75
03 Controller 3	42 Pan LSB	76 Controller 76
04 Foot Control	38 Data Entry LSB	77 Controller 77
05 Porta Time	39 Channel Volume LSB	78 Controller 78
06 Data Entry	40 Balance LSB	79 Controller 79
07 Channel Volume	41 Controller 41	80 Gen Purpose 5
08 Balance	42 Pan LSB	112 Controller 112
09 Controller 9	43 Expression LSB	113 Controller 113
10 Pan	44 Controller 44	114 Controller 114
11 Expression	45 Controller 45	115 Controller 115
12 Effects Controller 1	46 Controller 46	116 Controller 116
13 Effects Controller 2	47 Controller 47	117 Controller 117
14 Controller 14	48 Gen Purpose 1 LSB	118 Controller 118
15 Controller 15	49 Gen Purpose 2 LSB	119 Controller 119
16 Gen Purpose 1	50 Gen Purpose 3 LSB	<b>Channel Mode Messages:</b>
17 Gen Purpose 2	51 Gen Purpose 4 LSB	120 All Sound off
18 Gen Purpose 3	52 Controller 52	121 Reset all Controllers
19 Gen Purpose 4	53 Controller 53	122 Local Control
20 Controller 20	54 Controller 54	123 All Notes Off
21 Controller 21	55 Controller 55	124 Omni Off
22 Controller 22	56 Controller 56	125 Omni On
23 Controller 23	57 Controller 57	126 Mono On (Poly Off)
24 Controller 24	58 Controller 58	127 Poly On (Mono Off)
25 Controller 25	59 Controller 59	<b>Extra RPN Messages:</b>
26 Controller 26	60 Controller 60	128 Pitch Bend sensitivity
27 Controller 27	61 Controller 61	129 Fine Tune
28 Controller 28	62 Controller 62	130 Coarse Tune
29 Controller 29	63 Controller 63	131 Channel Pressure
30 Controller 30	64 Sustain Pedal	
31 Controller 31	65 Portamento	
32 Bank Select LSB	66 Sostenuto	
33 Modulation LSB	67 Soft Pedal	
34 Breath Control LSB	68 Legato Pedal	
35 Controller 35	69 Hold 2	
36 Foot Control LSB	70 Sound Variation	
37 Porta Time LSB	71 Resonance	
38 Data Entry LSB	72 Release Time	

## Technical Specifications

<b>Power</b>	via USB or DC 9 V, 500 mA center-positive power supply (sold separately)
<b>Dimensions</b> (width x depth x height)	39.2" x 7.44" x 2.68" 995 mm x 189 mm x 68 mm
<b>Weight</b>	9.0 lbs. 4.1 kg

Specifications are subject to change without notice.

## Trademarks & Licenses

M-Audio is a trademark of inMusic Brands, Inc., registered in the U.S. and other countries. Kensington and the K & Lock logo are registered trademarks of ACCO Brands. iPad and macOS are trademarks of Apple Inc., registered in the U.S. and other countries. Windows is a registered trademark of Microsoft Corporation in the United States and other countries. Ableton is a trademark of Ableton AG. AAX, Avid and Pro Tools are trademarks or registered trademarks of Avid Technology, Inc. in the U.S. and other countries. VST is a trademark of Steinberg Media Technologies GmbH. All other product names, company names, trademarks, or trade names are those of their respective owners.

---

**m-audio.com**

Manual Version 1.0