

CONCERT 88x
Frequency Agile Wireless System



OWNER'S MANUAL

SAMSON®

Copyright 2020, Samson Technologies Corp.
v4

Samson Technologies Corp.
278-B Duffy Ave
Hicksville, NY 11801
www.samsontech.com

Important Safety Information



**ATTENTION
RISQUE D'ÉLECTROCUTION !
NE PAS OUVRIR !**

CAUTION: TO REDUCE THE RISK OF ELECTRIC SHOCK, DO NOT REMOVE COVER (OR BACK). NO USER-SERVICEABLE PARTS INSIDE. REFER SERVICING TO QUALIFIED SERVICE PERSONNEL.



This lightning flash with arrowhead symbol within an equilateral triangle is intended to alert the user to the presence of non-insulated "dangerous voltage" within the product's enclosure that may be of sufficient magnitude to constitute a risk of electric shock.



The exclamation point within an equilateral triangle is intended to alert the user to the presence of important operating and maintenance instructions in the literature accompanying the appliance.

WARNING

TO PREVENT FIRE OR SHOCK HAZARD. DO NOT USE THIS PLUG WITH AN EXTENSION CORD, RECEPTACLE OR OTHER OUTLET UNLESS THE BLADES CAN BE FULLY INSERTED TO PREVENT BLADE EXPOSURE. TO PREVENT FIRE OR SHOCK HAZARD. DO NOT EXPOSE THIS APPLIANCE TO RAIN OR MOISTURE. TO PREVENT ELECTRICAL SHOCK, MATCH WIDE BLADE PLUG TO WIDE SLOT AND FULLY INSERT.



If you want to dispose this product, do not mix it with general household waste. There is a separate collection system for used electronic products in accordance with legislation that requires proper treatment, recovery and recycling.

Private household in the 28 member states of the EU, in Switzerland and Norway may return their used electronic products free of charge to designated collection facilities or to a retailer (if you purchase a similar new one).

For Countries not mentioned above, please contact your local authorities for a correct method of disposal.

By doing so you will ensure that your disposed product undergoes the necessary treatment, recovery and recycling and thus prevent potential negative effects on the environment and human health.

Important Safety Information

1. Read these instructions.
2. Keep these instructions.
3. Heed all warnings.
4. Follow all instructions.
5. Do not use this apparatus near water.
6. Clean only with dry cloth.
7. Do not block any ventilation openings. Install in accordance with the manufacturer's instructions.
8. Do not install near any heat sources such as radiators, heat registers, stoves, or other apparatus (including amplifiers) that produce heat.
9. Do not defeat the safety purpose of the polarized or grounding type plug. A polarized plug has two blades with one wider than the other. A grounding type plug has two blades and a third grounding prong. The wide blade or the third prong are provided for your safety. If the provided plug does not fit into your outlet, consult an electrician for replacement of the obsolete outlet.
10. Protect the power cord from being walked on or pinched particularly at the plugs, convenience receptacles, and at the point where they exit from the apparatus.
11. Only use attachments/accessories specified by the manufacturer.
12. Use only with the cart, stand, tripod, bracket, or table specified by the manufacturer, or sold with the apparatus. When a cart is used, use caution when moving the cart/apparatus combination to avoid injury from tip-over.
13. Unplug the apparatus during lightning storms, or when unused for long periods of time.
14. Refer all servicing to qualified personnel. Service is required when the apparatus has been damaged in any way, such as power supply cord or plug is damaged, liquid has been spilled or objects have fallen into the apparatus has been exposed to rain or moisture, does not operate normally, or has been dropped.
15. This appliance shall not be exposed to dripping or splashing water and that no object filled with liquid such as vases shall be placed on the apparatus.
16. Caution-to prevent electrical shock, match wide blade plug wide slot fully insert.
17. Please keep a good ventilation environment around the entire unit.
18. The direct plug-in adapter is used as disconnect device, the disconnect device shall remain readily operable.
19. Batteries (battery pack or batteries installed) shall not be exposed to excessive heat such as sunshine, fire or the like.



Important Safety Information

FCC Rules and Regulations

Samson wireless receivers are certified under FCC Rules part 15 and transmitters are certified under FCC Rules part 74. Licensing of Samson equipment is the user's responsibility and licensability depends on the user's classification, application and frequency selected.

This device complies with Part 15 of the FCC rules Class B and RSS-210 of Industry & Science Canada.

Operation is subject to the following two conditions:

- (1) This device must not cause harmful interference, and
- (2) This device must accept any interference received including interference that may cause undesired operation. Suitable for home or office use.

NOTE: This equipment has been tested and found to comply with the limits for a Class B digital device, pursuant to Part 15 of the FCC Rules. These limits are designed to provide reasonable protection against harmful interference in a residential installation. This equipment generates, uses and can radiate radio frequency energy and, if not installed and used in accordance with the instructions, may cause harmful interference to radio communications. However, there is no guarantee that interference will not occur in a particular installation. If this equipment does cause harmful interference to radio or television reception, which can be determined by turning the equipment off and on, the user is encouraged to try to correct the interference by one or more of the following measures:

- Reorient or relocate the receiving antenna.
- Increase the separation between the equipment and receiver.
- Connect the equipment into an outlet on a circuit different from that to which the receiver is connected.
- Consult the dealer or an experienced Radio/TV technician for help.

WARNING: Changes or modifications not expressly approved by the party responsible for compliance could void the user's authority to operate the equipment.

This equipment is intended for use in wireless microphone applications.

Equipment is intended for sale in: AT, BE, CH, CY, CZ*, DK, EE, FI*, FR*, DE*, GR*, HU, IE, IS, IT, LV, LT*, LU, MT*, NL, NO*, PL* PT, RO, SK, SI, ES, SE, UK

*Subject to license. Please contact your national frequency authority for information on available legal use in your area. Any changes or modifications not expressly approved by Samson Technologies Corp. could void your authority to operate the equipment.

Hereby, Samson Technologies Corp., declares that this CR88x, CH88 and CB88 are in compliance with the essential requirements and other relevant provisions of Directive 2014/53/EU. The declaration of conformity may be consulted at:

http://www.samsontech.com/site_media/support/manuals/Concert88x_DOC.pdf

Introduction

Congratulations on purchasing the Samson Concert 88x wireless system. The Concert 88x is the ideal solution for the active performer who needs a reliable, great sounding system for wireless applications. Offering frequency-agile UHF operation, the CR88x receiver provides 100 available channels to secure reliable wireless performance. The receiver provides easy setup with 1-touch scan that analyzes and selects the clearest operating channel and infrared set to pair the transmitter with the receiver.

The Concert 88x system ensures clear, interruption-free performance by combining tone-key with auto-mute. This configuration allows only the transmitter's audio to pass through the receiver, and mutes the output if there is any interference.

The Concert 88x comes in four configurations. The vocal handheld system includes the CH88 handheld transmitter and dynamic microphone capsule. The CB88 beltpack system can be configured with either a headset microphone, lavalier microphone, or a 1/4" instrument cable. For travel or permanent installation, the Concert 88x includes a standard 19" rackmount kit.

In these pages, you'll find a detailed description of the features of the Concert 88x wireless system, as well as a guided tour through its control panel, step-by-step instructions for its setup and use, and full specifications. If your wireless system was purchased in the United States, you'll also find a registration card enclosed—don't forget to follow the instructions so that you can receive online technical support and so that we can send you updated information about this and other Samson products in the future. Also, be sure to check out our website (www.samsontech.com) for complete information about our full product line.

We recommend you keep the following records for reference, as well as a copy of your sales receipt.

Receiver Serial number: _____

Transmitter Serial number: _____

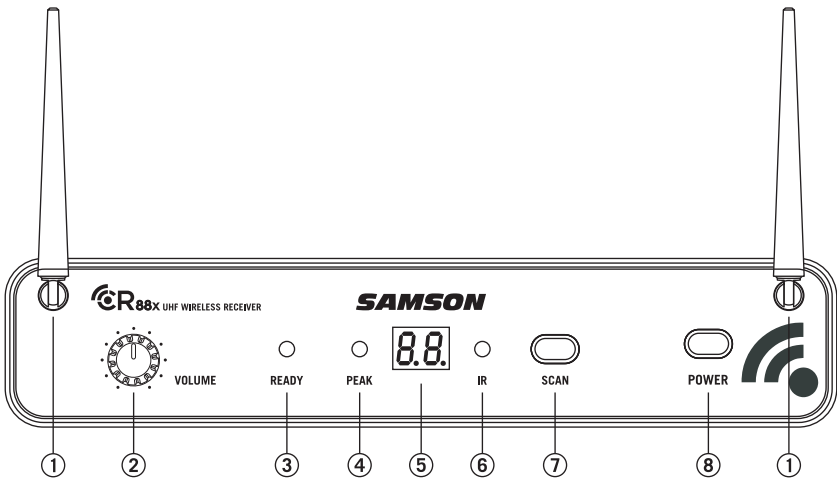
Date of purchase: _____

Dealer name: _____

If you have any questions or comments regarding the Concert 88x Microphone System or any other products from Samson, do not hesitate to contact us at support@samsontech.com.

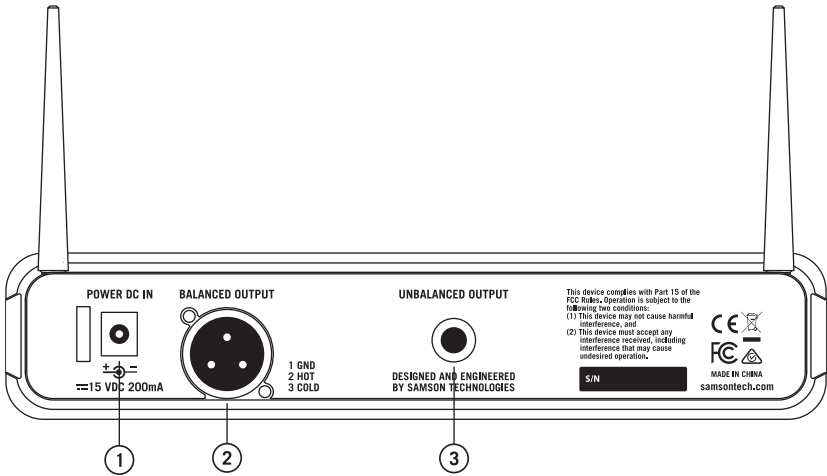
With proper care and maintenance, your Concert 88x System will operate trouble-free for many years. Should your Concert 88x System ever require servicing, a Return Authorization (RA) number must be obtained before shipping your unit to Samson. Without this number, the unit will not be accepted. Please visit www.samsontech.com/ra for an RA number prior to shipping your unit. Please retain the original packing materials and, if possible, return the unit in its original carton. If your Concert 88x System was purchased outside of the United States, contact your local distributor for warranty details and service information.

CR88x Receiver Features - Front Panel

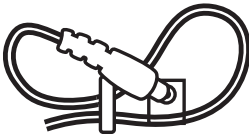


- 1. Antennas** - The antenna mountings allow full rotation for optimum placement. In normal operation, both antennas should be placed in a vertical position. Both antennas can be folded inward for convenience when transporting the CR88x.
- 2. VOLUME Control** - This knob sets the level of the audio signal being output through both the balanced and unbalanced output jacks on the rear panel. Reference level is obtained when the knob is turned fully clockwise (to its "10" setting).
- 3. READY Indicator** - This indicator lights green when the CR88x is receiving RF signal and the system is ready to use.
- 4. PEAK Indicator** - This indicator lights red when the transmitted audio signal is overloaded.
- 5. LED Display** - The two digit, 7-segment LED display shows the receiver's current operating channel.
- 6. IR Transmitter** - During "IR SET" an infrared light is used to set the transmitter channel.
- 7. SCAN Button** - Press this button for **more than 2 seconds** to enter scan mode, the display will flash quickly. The receiver will scan through the 100 operating channels to find the optimal channel for performance. Once the scan is complete, the CR88x will enter IR Set mode and send the selected channel to the transmitter. Press and hold the button for **more than 10 seconds** to enter IR set mode, the display will flash slowly. This will send the receiver's current selected channel to the transmitter.
- 8. POWER Switch** - Use this to turn the CR88x power on and off.

CR88x Receiver Features - Rear Panel

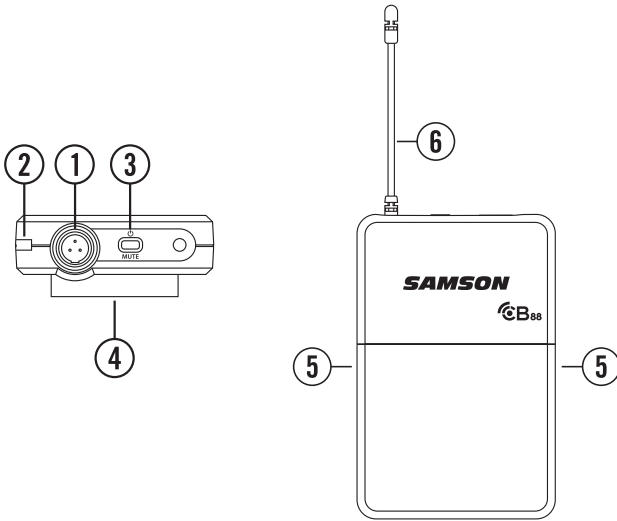


1. **DC Input** - Connect the supplied power adapter here, using the strain relief as shown in the illustration below. **WARNING:** Do not substitute any other kind of power adapter. Doing so can cause severe damage to the CR88x and will void your warranty.
2. **BALANCED OUTPUT** - Use this electronically balanced low impedance (600 Ohm) XLR jack when connecting the CR88x to professional (+4dBu) audio equipment. Pin wiring is as follows: Pin 1 ground, Pin 2 high (hot), and Pin 3 low (cold).
3. **UNBALANCED OUTPUT** - Use this unbalanced high impedance (5K Ohm) 1/4" jack when connecting the CR88x to consumer (-10dBV) audio equipment. Wiring is as follows: tip hot, sleeve ground.



Using the strain relief: Gather up a loop of wire and pass it through the strain relief, then pass the adapter plug through the loop in order to create a knot.

CB88 Beltpack Transmitter - Features

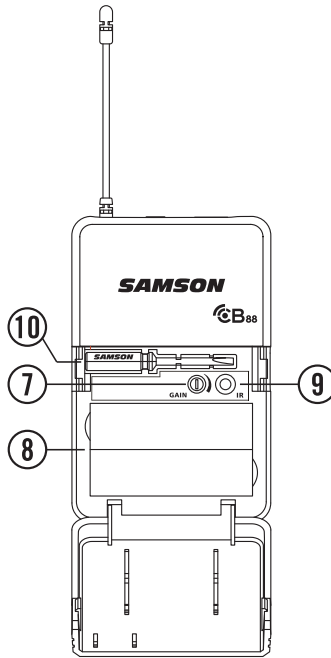


1. **Input Connector** - Connect the input device via the mini-XLR connector. The CB88 is supplied with either a lavalier, headset microphone or 1/4" instrument cable.
2. **Status Indicator** - This LED displays the operation mode:

GREEN	Normal Operation
RED	Mute
Flashing GREEN	Low Battery

3. **Power/Mute Switch** - Press and hold to turn the unit on or off. Press and release to mute or unmute the transmitter.
4. **Belt Clip** - Use this clip to fasten the CB88 transmitter to a belt or guitar strap.
5. **Battery Cover Release** - Push in both sides and pull back to open the CB88 battery cover.
6. **Antenna** - This permanently attached transmitter antenna should be fully extended during normal operation.

CB88 Beltpack Transmitter - Features



- 7. Input GAIN Control** - This control adjusts the transmitter input sensitivity to work with microphone and instruments inputs. For optimal performance, using the included screwdriver, set the input GAIN control to where you see the CR88x PEAK indicator start to light under high levels, then turn down slowly until the PEAK light stops lighting.
- 8. Battery Holder** - Insert two standard AA (LR6) batteries here, being sure to observe the plus and minus polarity markings shown. Although rechargeable Ni-Cad batteries can be used, they do not supply adequate current for more than four hours. **WARNING:** Do not insert the batteries backwards; doing so can cause severe damage to the CB88 and will void your warranty.
- 9. IR Lens** - This window is used to capture the infrared signal sent from the CR88x during the IR SET to channelize the transmitter.
- 10. Screwdriver** - Designed for use in adjusting the CB88 input GAIN control.

CH88 Handheld Transmitter - Features

- Status Indicator** - This LED displays the operation mode:

GREEN	Normal Operation
RED	Mute
Flashing GREEN	Low Battery

- Power/Mute Switch** - Press and hold to turn the unit on or off. Press and release to mute or unmute the transmitter.

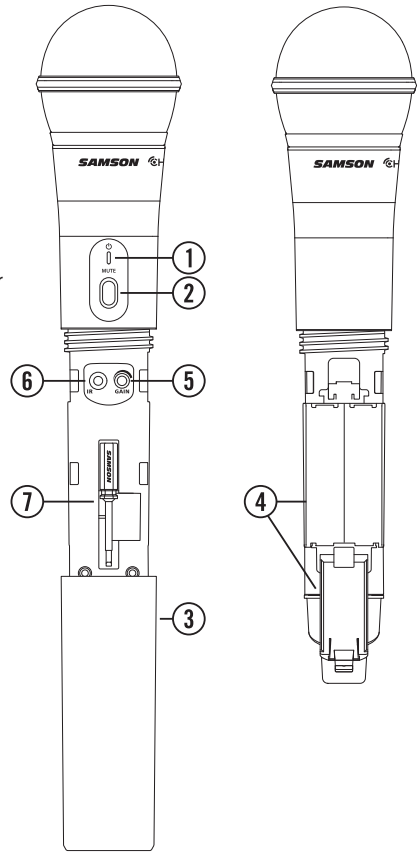
- Battery Cover** - Unscrew the battery cover and slide down to open the CH88 battery compartment.

- Battery Holder** - Open the battery holder by pressing the tab and lifting the cover. Insert two standard AA (LR6) batteries here, being sure to observe the plus and minus polarity markings shown. Although rechargeable Ni-Cad batteries can be used, they do not supply adequate current for more than four hours. **WARNING:** Do not insert the batteries backwards; doing so can cause severe damage to the CH88 and will void your warranty.

- Input GAIN Control** - This control adjusts the transmitter input sensitivity. For optimal performance, using the included screwdriver, set the input GAIN control to where you see the CR88x PEAK indicator start to light under high levels, then turn down until the PEAK light stops lighting.

- IR Lens** - This window is used to capture the infrared signal sent from the CR88x during the IR SET to channelize the transmitter. The battery cover must be open and the IR Lens facing towards the receiver to load the selected channel.

- Screwdriver** - Designed for use in adjusting the CH88 input GAIN control.



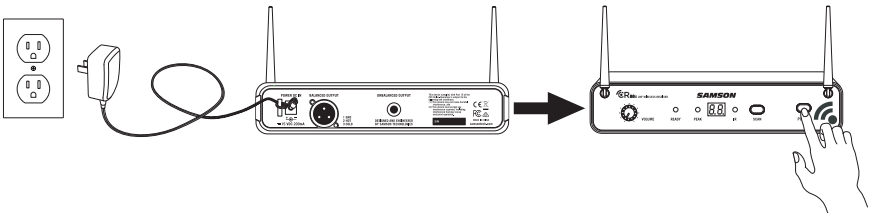
Quick Start - Single System Setup

In order for your wireless system to work correctly, both the receiver and transmitter must be set to the same channel.

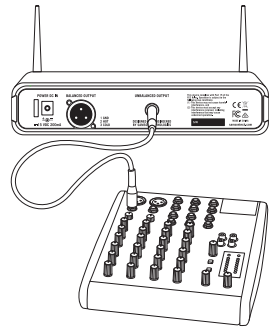
Follow this basic procedure for setting up and using your Concert 88x wireless system:

Physically place the CR88x receiver where it will be used, and extend the antennas vertically. The general rule of thumb is to maintain "line of sight" between the receiver and transmitter so that the person using or wearing the transmitter can see the receiver.

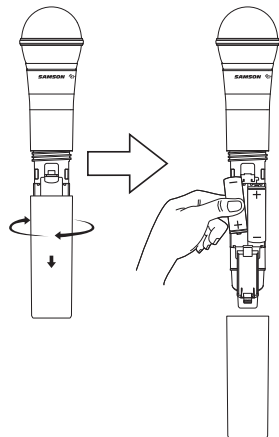
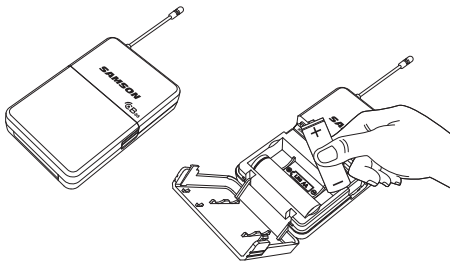
With the CR88x powered off, connect the included power adapter. Turn the CR88x on momentarily to confirm that the unit is receiving power. You'll see the LED display light up. Then turn the CR88x power off.



With your amplifier or mixer off and volume control all the way down, connect the CR88x receiver output jack to the mic or line level input of a mixer or amplifier using the balanced XLR output or unbalanced 1/4" line level output. Turn the Level knob on the CR88x completely counterclockwise, then turn its power on.

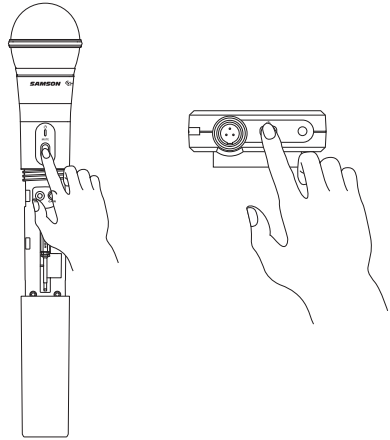


With the transmitter powered off, install two fresh AA batteries into the CB88 beltback or CH88 handheld transmitter. Leave the battery compartment open.

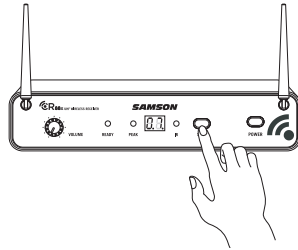


Quick Start - Single System Setup

Turn on the power to the transmitter by pressing and holding Power switch. The indicator LED will light green.

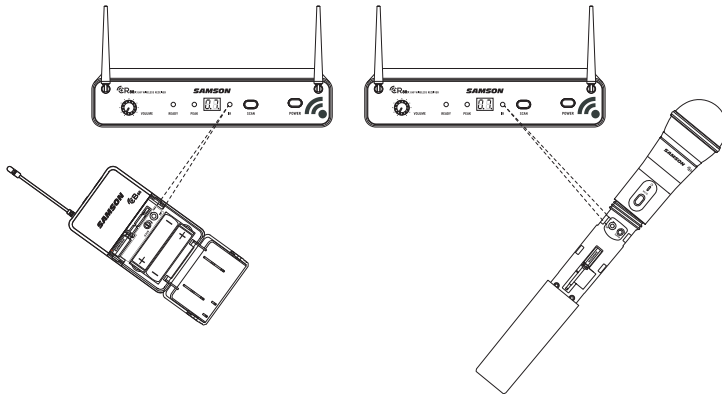


Press the SCAN button for more than 2 seconds (the display will start to flash quickly) on the front of the CR88x receiver to scan for an available channel. Once the optimal channel is selected the receiver will enter IR Set mode. The display will flash slowly in IR Set mode.



If you want to set a transmitter to the receiver's currently selected channel, press and hold the SCAN button for more than 10 seconds (until the display flashes slowly) to enter IR Set mode directly.

Position the transmitter about 6"-12" (15cm-30cm) from the front of the CR88x with the transmitter's IR window facing the IR transmitter on the front panel of the CR88x receiver.

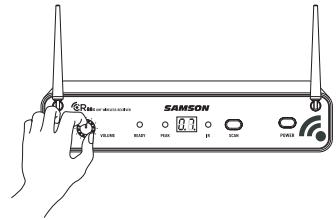


Quick Start - Single System Setup

When the transmission is complete, the CR88x will receive RF signal and the tone key from the transmitter. The READY indicator will light on the front panel of the CR88x receiver.

Turn on your connected amplifier or mixer, but keep the volume all the way down. Set the Volume knob on the CR88x fully clockwise (to its "10" setting). This is unity gain.

Speak or sing into the microphone, or if you are using the transmitter with a connected instrument, play the instrument at normal performance level. Slowly raise the volume of your amplifier or mixer until the desired level is reached.



If you find the system has noticeable dropouts, reduced overall working range, or unexpected noise bursts, change the operating channel of the system using the steps above.

Multiple System Setup

When using multiple systems, each system must be set to a different operating channel.

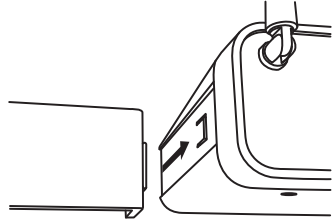
Transmitter and receiver pairs must be on the same channel plan in order to work together.

When setting an additional transmitter, make sure to close all other transmitter battery compartments to ensure that the IR Lens is covered.

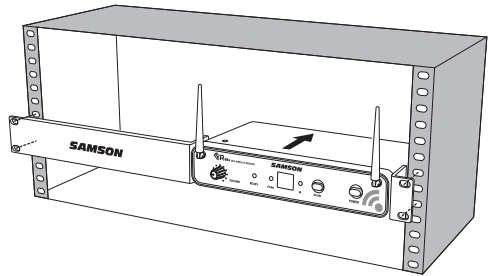
Rack Mounting

The CR88x receiver can be installed into a standard 19" rack for transport or permanent installation using the included rack ears. Follow the simple steps below to mount the CR88x:

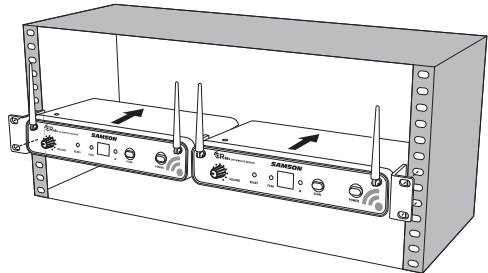
Attach the included rack ears by sliding each rack ear into the groove on either side of the CR88x until they lock into place, and the receiver flush with the front panel.



Position the CR88x receiver into an available rack space and slide in until the rack ears are touching the rails of the rack case and are aligned with the rack rail holes.



Mount the receiver into the rack using the appropriate size rack screws (not included). To ensure equal tension and balance when installing the receiver, you should secure screws in a crisscross pattern of opposite corners: top left -> bottom right -> top right -> bottom left.



In order to mount two CR88x receivers in one rack space, the system includes a center connection piece. Slide the center connection piece into the groove of each receiver and attach the short rack ears to each receiver. Mount the receivers into the rack using the crisscross pattern described above.

Troubleshooting

Issue	Solutions
No Audio	Make sure that the transmitter and receiver are both powered on.
	Ensure the transmitter's batteries are installed correctly.
	Check that the transmitter is not muted.
	Confirm that the CR88x adapter is correctly connected and plugged into an electrical outlet.
	Turn on the CR88x receiver.
	Make sure the CR88x audio output connections are securely connected.
	Ensure that the receiver and transmitter are in line of sight with one another.
	Check the receiver and audio input device level controls.
	Ensure that the transmitter and receiver are set to the same operating channel. If unsure, reset the channel by following the steps in the "Quick Start".
Distorted Audio	The receiver output level or audio input device level may be too high.
	Check the transmitters batteries, and replace if low.
	The input gain on the transmitter (CH88 or CB88) or audio source level may be too high.
Audio Dropout	The transmitter may be too far away from the receiver. Move it closer to the receiver, or reposition the antennas.
	Remove any sources that may cause RF interference such as cell phones, cordless phones, lighting equipment, computers, metal structures, etc.
Receiver will not power on	Check the adapter to ensure it is properly connected and plugged into an outlet providing power.
Transmitter will not power on (LED lights RED)	Replace the transmitter batteries.
Unwanted noise or interference	If using multiple systems, make sure none of the systems are operating on the same channel. If the problem persists, change one or all of the systems channels.

Specifications

System

Working Range	300' (100m) line of sight
Audio Frequency Response	50 Hz - 15 kHz
T.H.D. (Overall)	<1% (@AF 1 kHz, RF 46 dBu)
Dynamic Range	>100 dB A-weighted
Signal to Noise	>90 dB
Operating Temperature	-10°C (14°F) to +60°C (+140°F)
Tone Key Frequency	35 kHz

CB88 Beltpack Transmitter

Input Connector	Mini-XLR (P3)
Input Impedance	1M Ω
Input Gain Range	38 dB
RF Power	10 mW EIRP
Power Requirements	Two AA (LR6) alkaline batteries
Battery Life	8 hours
Dimensions (HxLxD)	3.75" x 2.44" x 0.75" 96mm x 62mm x 18.5mm
Weight	0.2 lb / 93 g

CH88 Handheld Transmitter

Microphone Element	Dynamic
Input Gain Range	28 dB
RF Power	10 mW EIRP
Power Requirements	Two AA (LR6) alkaline batteries
Battery Life	8 hours
Dimensions (Hx \emptyset)	10.23" x 2.1" 260mm x 54mm
Weight	0.48 lb / 218 g

CR88x Receiver

Audio Output Level - Unbalanced	+14 dBu
Audio Output Level - Balanced	+9 dBu
Audio Output Impedance - Unbalanced	810 Ohms
Audio Output Impedance - Balanced	240 Ohms
Sensitivity	-100 dBm / 30 dB sinad
Image Rejection	>50 dB
Operating Voltage	15 VDC 200mA
Dimensions (LxWxH)	8.25" x 4.9" x 1.75" 210mm x 125mm x 44mm
Weight	0.88 lb / 400 g

At Samson, we are continually improving our products, therefore specifications and images are subject to change without notice.

ENGLISH

FRANÇAIS

DEUTSCHE

ESPAÑOL

ITALIANO

Operating Bands and Frequency Ranges

Band	Frequency Range
K ^a	470–494 MHz
D ^a	542–566 MHz
IL*	794–806 MHz
B*	806–810 MHz
G*	863–865 MHz

* Not for use in the USA and Canada.

European Frequency Operation

Note: This equipment is intended for professional musical and similar applications, and may be capable of operating on some frequencies not authorized in your region. Please contact your national authority to obtain information on authorized frequencies for wireless microphone products in your region.

Band	Frequency Range	EU Country Codes	Note
K ^a	470–494 MHz	AT, BE, BG, CY, CZ, DK, EE, FI, FR, DE, GR, HU, IS, IE, IT, LV, LT, LU, MT, NL, NO, PL, PT, RO, SK, SI, ES, SE, CH, UK	
D**	542–566 MHz		
IL**	794–806 MHz		For use in Israel
B**	806–810 MHz		For use in Japan
G	863–865 MHz	AT, BE, BG, CY, CZ, DK, EE, FI, FR, DE, GR, HU, IS, IE, IT, LV, LT, LU, MT, NL, NO, PL, PT, RO, SK, SI, ES, SE, CH, UK	License Free

** Not for use in the EU.

^a Licensing: Note that a ministerial license to operate this equipment may be required in certain areas. Consult your national authority for possible requirements. Licensing of Samson wireless microphone equipment is the user's responsibility, and licensability depends on the user's classification and application, and on the selected frequency.

Informations importantes sur la sécurité



**ATTENTION
RISQUE D'ÉLECTROCUTION !
NE PAS OUVRIR !**

ATTENTION : POUR RÉDUIRE LE RISQUE D'ÉLECTROCUTION, NE PAS OUVRIR LE CAPOT (OU LA FACE ARRIÈRE). NE CONTIENT AUCUNE PIÈCE QUE L'UTILISATEUR PEUT ENTREtenir. CONFIER L'ENTRETIEN A UN TECHNICIEN QUALIFIÉ.



Cet éclair avec un symbole représentant une flèche dans un triangle équilatéral est destiné à alerter l'utilisateur sur la présence de « tension dangereuse » non isolée à l'intérieur du produit qui peut être d'une importance suffisante pour constituer un risque de choc électrique.



Le point d'exclamation dans un triangle équilatéral est destiné à alerter l'utilisateur sur la présence d'importantes instructions de fonctionnement et d'entretien dans la documentation accompagnant l'appareil.

AVERTISSEMENT

POUR ÉVITER UN INCENDIE OU UNE ÉLECTROCUTION. NE PAS UTILISER CETTE FICHE AVEC UNE RALLONGE OU TOUTE AUTRE PRISE, SAUF SI LES BROCHES PEUVENT ÊTRE ENTIÈREMENT ENFONCÉES POUR ÉVITER QU'ELLES NE SOIENT EXPOSÉES. POUR ÉVITER UN INCENDIE OU UNE ÉLECTROCUTION. NE PAS EXPOSER CET APPAREIL A LA PLUIE NI A L'HUMIDITÉ. POUR ÉVITER TOUT RISQUE D'ÉLECTROCUTION, BIEN INSÉRER LA FICHE SECTEUR, CORRECTEMENT ET ENTIÈREMENT.



Si vous voulez vous débarrasser de ce produit, ne le mélangez pas avec les ordures ménagères. Il existe un système de collecte séparée pour les produits électroniques usagés, conformément à la législation qui exige un traitement, une récupération et un recyclage appropriés.

Les ménages privés dans les 28 états membres de l'UE, en Suisse et en Norvège peuvent renvoyer gratuitement leurs produits électroniques usagés à des centres de collecte désignés ou à un revendeur (si vous en achetez un neuf similaire).

Pour les pays non mentionnés ci-dessus, veuillez contacter les autorités locales pour connaître la méthode d'élimination correcte.

Ce faisant, vous vous assurez que votre produit mis au rebut subit le traitement, la récupération et le recyclage nécessaires et vous évitez ainsi les effets négatifs potentiels sur l'environnement et la santé humaine.

Informations importantes sur la sécurité

1. Lisez ces instructions.
2. Conservez ces instructions.
3. Tenez compte de tous les avertissements.
4. Suivez toutes les instructions.
5. N'utilisez pas cet appareil près de l'eau.
6. Nettoyez uniquement avec un chiffon sec.
7. N'obstruez pas les ouvertures de ventilation. Installez l'appareil conformément aux instructions du fabricant.
8. N'installez pas l'appareil à proximité de sources de chaleur telles que radiateurs, registres de chaleur, poêles ou autres appareils (y compris les amplificateurs) qui produisent de la chaleur.
9. Ne retirez en aucun cas le dispositif de sécurité de la fiche polarisée ou de terre. Une fiche polarisée possède deux lames dont l'une est plus large que l'autre. Une fiche de terre possède deux lames et une troisième broche de terre. La lame large ou la troisième broche servent à votre sécurité. Si la fiche fournie ne rentre pas dans votre prise, consultez un électricien pour le remplacement de la prise obsolète.
10. Protégez le cordon d'alimentation pour éviter qu'il ne soit piétiné ou pincé, en particulier au niveau des fiches, des prises de courant et à l'endroit où il sort de l'appareil.
11. Utilisez uniquement les ajouts/ accessoires spécifiés par le fabricant.
12. Utilisez uniquement avec le chariot, le pied, le trépied, le support ou la table spécifiés par le fabricant, ou vendus avec l'appareil. Lorsqu'un chariot est utilisé, soyez prudent lorsque vous déplacez la combinaison chariot/ appareil afin d'éviter les blessures causées par le renversement du chariot.
13. Débranchez l'appareil en cas d'orage ou si vous ne l'utilisez pas pendant une période prolongée.
14. Pour toute réparation adressez-vous à un personnel qualifié. L'entretien est nécessaire lorsque l'appareil a été endommagé de quelque façon que ce soit, par exemple si le cordon d'alimentation ou la fiche est endommagé(e), si du liquide a été renversé ou si des objets sont tombés sur l'appareil, s'il a été exposé à la pluie ou à l'humidité, ne fonctionnent pas normalement ou est tombé.
15. Cet appareil ne doit pas être exposé à des gouttes ou des éclaboussures d'eau et aucun objet rempli de liquide tel qu'un vase ne doit être placé sur l'appareil.
16. Attention - pour éviter tout risque d'électrocution, faites correspondre la lame la plus large avec la fente la plus large et insérez entièrement.
17. Veillez à maintenir un bon environnement de ventilation autour de l'ensemble de l'appareil.
18. L'adaptateur directement enfichable est utilisé comme dispositif de déconnexion. Le dispositif de déconnexion doit rester facilement accessible.
19. Les piles (ou batteries installées) ne doivent pas être exposées à une chaleur excessive telle que le soleil, le feu ou similaire.



S3125A

Informations importantes sur la sécurité

Règlements de la FCC

Les récepteurs sans fil Samson sont certifiés en vertu de la partie 15 du règlement FCC et les émetteurs sont certifiés en vertu de la partie 74 du règlement FCC. L'octroi d'une licence pour de l'équipement Samson relève de la responsabilité de l'utilisateur et dépend de la classification, de l'application et de la fréquence choisie par l'utilisateur.

Cet appareil est conforme à la partie 15 des règles de la FCC classe B et RSS-210 de l'Industrie et Science Canada.

L'utilisation est soumise aux deux conditions suivantes :

- (1) Cet appareil ne doit pas causer d'interférences nuisibles, et
- (2) Cet appareil doit accepter toute interférence reçue, y compris les interférences susceptibles de provoquer un fonctionnement non désiré. Convient pour une utilisation à la maison ou au travail.

REMARQUE : cet équipement a été testé et déclaré conforme aux limites d'un appareil numérique de classe B, conformément à la partie 15 du règlement de la FCC. Ces limites sont conçues pour fournir une protection raisonnable contre les interférences nuisibles dans une installation résidentielle. Cet équipement génère, utilise et peut émettre un rayonnement de fréquence radio et, s'il n'est pas installé et utilisé conformément aux instructions, peut causer des interférences nuisibles aux communications radio. Cependant, il n'y a aucune garantie que des interférences ne se produiront pas dans une installation particulière. Si cet équipement cause des interférences nuisibles à la réception de la radio ou de la télévision, ce qui peut être déterminé en éteignant et en rallumant l'équipement, l'utilisateur est encouragé à essayer de corriger ces interférences avec une ou plusieurs des mesures suivantes :

- Réorienter ou déplacer l'antenne de réception.
- Augmenter la distance entre l'équipement et le récepteur.
- Brancher l'équipement dans une prise de courant sur un circuit différent de celui auquel le récepteur est branché.
- Consulter le vendeur ou un technicien radio/télévision expérimenté pour vous aider.

AVERTISSEMENT : tout changement ou modification non expressément approuvé par la partie responsable de la conformité pourrait annuler le droit de l'utilisateur d'utiliser l'équipement.

Cet équipement est destiné à être utilisé avec des microphones sans fil.

L'équipement est destiné à la vente au/en : AT, BE, CH, CY, CZ*, DK, EE, FI*, FR*, DE*, DE*, GR*, HU, IE, IS, IT, LV, LT*, LU, MT*, NL, NO*, PL* PT, RO, SK, SI, ES, SE, UK

*Sujet à licence. Veuillez contacter votre autorité nationale de la gestion des fréquences pour obtenir des informations sur l'utilisation légale disponible dans votre région. Tout changement ou modification non expressément approuvé(e) par Samson Technologies Corp. pourrait annuler votre autorisation d'utiliser l'équipement.

Par la présente, Samson Technologies Corp., déclare que les appareils CR88x, CH88 et CB88 sont conformes aux exigences essentielles et autres dispositions pertinentes de la directive 2014/53/CE. Cette déclaration de conformité peut être consultée à l'adresse : http://www.samsontech.com/site_media/support/manuals/Concert88x_DOC.pdf

Introduction

Merci d'avoir acheté le système sans fil Samson Concert 88x. Le Concert 88x est la solution idéale pour l'artiste sur scène qui a besoin d'un système de sonorisation fiable et performant pour une utilisation sans fil. Offrant un fonctionnement UHF à agilité de fréquence, le récepteur CR88x offre 100 canaux disponibles pour garantir une performance sans fil optimale. Le récepteur est facile à configurer grâce au balayage à 1 touche qui analyse et sélectionne le meilleur canal de fonctionnement, jusqu'au réglage infrarouge pour coupler l'émetteur avec le récepteur.

Le système Concert 88x offre une restitution claire et sans bruits de fond grâce à la commutation par tonalité et la fonction auto-mute. Dans cette configuration, seul le son de l'émetteur passe par le récepteur, et la sortie est suspendue en cas d'interférence.

Le Concert 88x se décline en quatre configurations. Le système vocal portatif comprend l'émetteur portable CH88 et une capsule de microphone dynamique. Le système de commande CB88 peut être configuré avec un micro-casque, un microphone de lavalière ou un câble d'instrument de 1/4 po. Que ce soit en déplacement ou pour une installation fixe, le Concert 88x comprend un kit standard de montage en rack de 48 cm (19 po).

Ces pages vous présentent une description détaillée des caractéristiques du système sans fil Concert 88x, ainsi qu'une description des panneaux avant et arrière, des instructions pas-à-pas d'installation et d'utilisation, ainsi que des spécifications complètes. Si votre système sans fil a été acheté aux États-Unis, vous trouverez également une carte d'enregistrement jointe. N'oubliez pas de suivre les instructions afin que vous puissiez recevoir un soutien technique en ligne et afin que nous puissions vous envoyer des informations à jour sur ce produit et d'autres produits Samson dans le futur. De même, assurez-vous de consulter notre site Web (www.samsontech.com) pour en savoir plus sur notre ligne complète de produits.

Nous vous recommandons de conserver les documents suivants à titre de référence, ainsi qu'une copie de votre reçu de caisse.

Numéro de série du récepteur : _____

Numéro de série de l'émetteur : _____

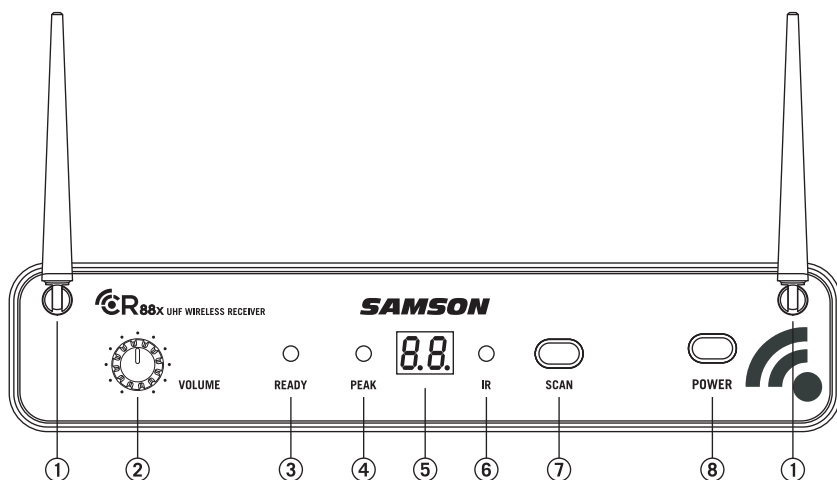
Date d'achat : _____

Nom du revendeur : _____

Si vous avez des questions ou des commentaires concernant le système de microphone Concert 88x ou tout autre produit de Samson, n'hésitez pas à nous contacter à support@samsontech.com.

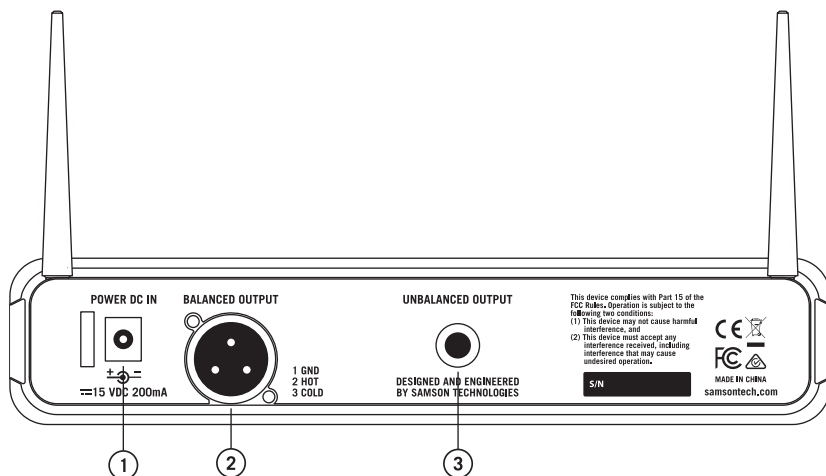
Avec un entretien et une maintenance appropriés, votre système Concert 88x fonctionnera sans problème pendant de nombreuses années. Si votre système Concert 88x nécessite un entretien, un numéro d'autorisation de retour (RA, Return Authorization) doit être obtenu avant d'expédier votre appareil à Samson. Sans ce numéro, l'appareil ne sera pas accepté. Veuillez consulter le site www.samsontech.com/ra pour obtenir un numéro RA avant d'expédier votre appareil. Veuillez conserver les matériaux d'emballage d'origine et, si possible, retourner l'appareil dans son emballage d'origine. Si votre système Concert 88x a été acheté en dehors des États-Unis, contactez votre distributeur local pour les détails de la garantie et les informations de service.

Caractéristiques du récepteur CR88x - Panneau avant

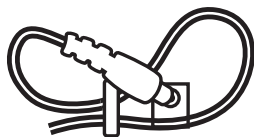


- 1. Antennes** - Les supports d'antenne permettent une rotation complète pour un placement optimal. En fonctionnement normal, les deux antennes doivent être placées en position verticale. Les deux antennes peuvent être repliées vers l'intérieur pour faciliter le transport du CR88x.
- 2. Commande de VOLUME** - Ce bouton permet de régler le niveau du signal audio de sortie à travers les deux prises de sortie symétriques et asymétriques sur le panneau arrière. Le niveau de référence est obtenu lorsque le bouton est tourné à fond dans le sens des aiguilles d'une montre (jusqu'au niveau « 10 »).
- 3. Voyant READY** - Ce voyant s'allume en vert lorsque le CR88x reçoit un signal RF et que le système est prêt à fonctionner.
- 4. Indicateur PEAK** - Cet indicateur s'allume en rouge lorsque le signal audio transmis est surchargé.
- 5. Affiche LED** - L'affichage LED à deux chiffres et à 7 segments affiche le canal de fonctionnement actuel du récepteur.
- 6. Émetteur IR** - Pendant le « Réglage IR », une lumière infrarouge est utilisée pour régler le canal de l'émetteur.
- 7. Bouton SCAN** - Appuyez sur ce bouton pendant **plus de 2 secondes** pour passer en mode balayage, l'affichage clignote rapidement. Le récepteur balaie les 100 canaux de fonctionnement pour trouver le canal optimal pour une bonne performance. Une fois le balayage terminé, le CR88x passe en mode Réglage IR et envoie le canal sélectionné à l'émetteur.
Appuyez sur la touche et maintenez-la enfoncée pendant **plus de 10 secondes** pour passer en mode de sélection manuelle des canaux IR, l'affichage clignote lentement. Cela enverra le canal actuellement sélectionné par le récepteur à l'émetteur.
- 8. Touche POWER** - Appuyez sur cette touche pour mettre sous et hors tension le système CR88x.

Caractéristiques du récepteur CR88x - Panneau arrière

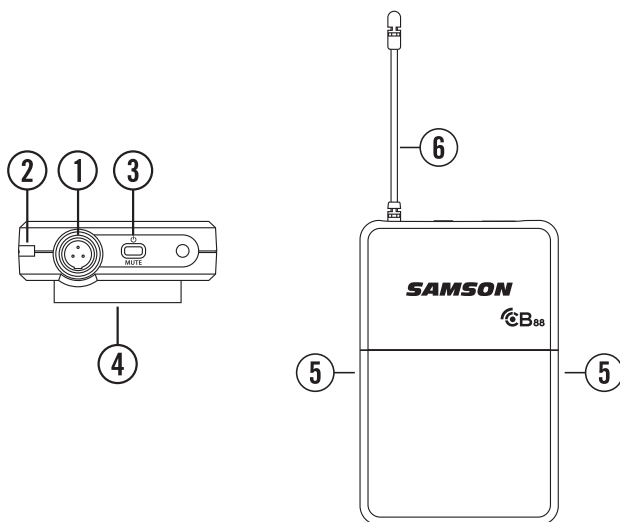


1. **Entrée CC** - Branchez l'adaptateur d'alimentation fourni, en utilisant un dispositif de décharge de traction comme indiqué dans l'illustration ci-dessous. **AVERTISSEMENT** : ne le remplacez pas par un autre type d'adaptateur d'alimentation. Vous risqueriez d'endommager gravement le CR88x et d'annuler votre garantie.
2. **BALANCED OUTPUT (SORTIE SYMÉTRIQUE)** - Utilisez cette prise XLR à faible impédance électriquement symétrique (600 Ohm) lors du raccordement du système CR88x à un équipement audio professionnel (+ 4 dBu). Le câblage des broches est le suivant : Broche 1 masse, broche 2 haute (chaude) et broche 3 basse (froide).
3. **UNBALANCED OUTPUT (SORTIE ASYMÉTRIQUE)** - Utilisez cette prise 1/4 po à impédance élevée asymétrique (5 KOhm) lors du raccordement du système CR88x à un équipement audio grand public (+ 10 dBV). Le câblage est le suivant : point chaude, corps à masse.



Utilisation du dispositif de décharge de traction : Rassemblez une boucle de fil et faites-la passer à travers le dispositif de décharge de traction, puis passez l'adaptateur dans la boucle afin de créer un nœud.

Émetteur attache-ceinture CB88 - Fonctionnalités

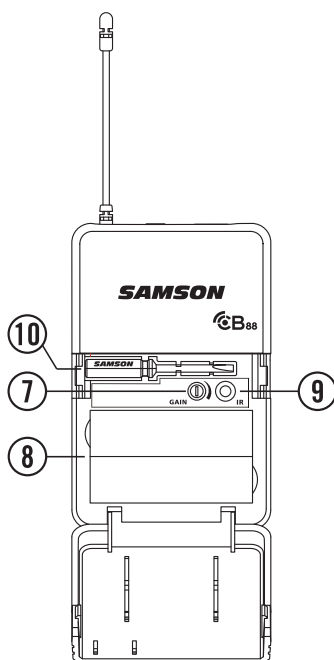


1. **Connecteur d'entrée** - Connectez le périphérique d'entrée via le mini connecteur XLR. Le CB88 est fourni avec une lavallière, un micro-casque ou un câble d'instrument de 1/4 po.
2. **Indicateur d'état** - Cette LED indique le mode de fonctionnement :

VERT	Fonctionnement normal
ROUGE	Muet
Clignotant VERT	Batterie faible

3. **Interrupteur marche/arrêt** - Appuyez et maintenez enfoncé pour allumer ou éteindre l'appareil. Appuyez et relâchez la touche pour couper ou rétablir le son de l'émetteur.
4. **Attache-ceinture** - Utilisez cette attache pour fixer l'émetteur CB88 à une ceinture ou à une sangle de guitare.
5. **Déverrouillage du couvercle du compartiment à batterie** - Poussez les deux côtés vers l'intérieur et tirez vers l'arrière pour ouvrir le couvercle du compartiment à batterie CB88.
6. **Antenne** - Cette antenne d'émetteur fixée en permanence doit être complètement déployée pendant le fonctionnement normal.

Émetteur attache-ceinture CB88 - Fonctionnalités



- 7. Commande de GAIN d'entrée** - Cette commande ajuste la sensibilité d'entrée de l'émetteur pour fonctionner avec les entrées du microphone et des instruments. Pour des performances optimales, réglez à l'aide du tournevis fourni la commande de GAIN d'entrée à l'endroit où l'indicateur PEAK de l'CR88x commence à s'allumer à des niveaux élevés, puis baissez lentement jusqu'à ce que l'indicateur PEAK s'éteigne.
- 8. Support de piles** - Insérez ici deux piles AA (LR6) standard, en respectant les polarités plus et moins indiquées. Bien que les piles rechargeables Ni-Cad puissent être utilisées, elles ne fournissent pas un courant suffisant pendant plus de quatre heures. **AVERTISSEMENT :** n'insérez pas les piles à l'envers ; vous risqueriez d'endommager gravement le CB88 et d'annuler votre garantie.
- 9. Lentille infrarouge** - Cette lentille est utilisée pour capturer le signal infrarouge envoyé par le système CR88x lors du réglage IR (SET IR) pour canaliser l'émetteur.
- 10. Tournevis** - Conçu pour l'ajustement du contrôle GAIN de l'entrée CB88.

Émetteur portable CH88 - Fonctionnalités

1. **Indicateur d'état** - Cette LED indique le mode de fonctionnement :

VERT	Fonctionnement normal
ROUGE	Muet
Clignotant VERT	Batterie faible

2. **Interrupteur marche/arrêt** - Appuyez et maintenez enfoncé pour allumer ou éteindre l'appareil. Appuyez et relâchez la touche pour couper ou rétablir le son de l'émetteur.

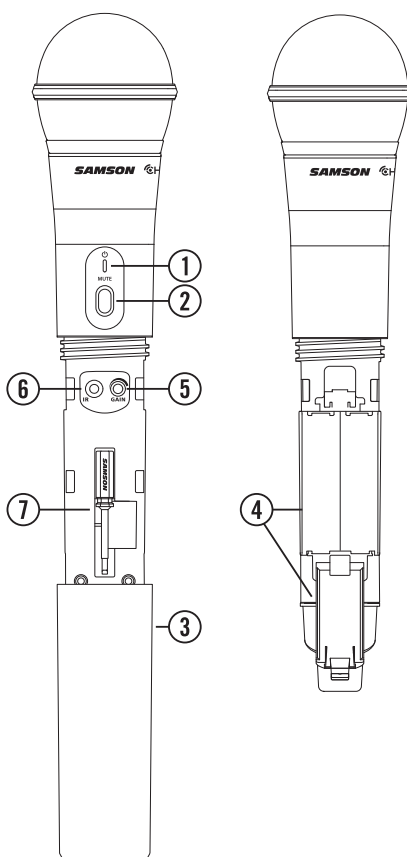
3. **Couvercle du boîtier de piles** - Dévissez le couvercle du compartiment des piles et faites-le glisser vers le bas pour ouvrir le compartiment des piles du CH88.

4. **Support des piles** - Ouvrez le support des piles en appuyant sur la languette et en soulevant le couvercle. Insérez ici deux piles AA (LR6) standard, en respectant les polarités plus et moins indiquées. Bien que les piles rechargeables Ni-Cad puissent être utilisées, elles ne fournissent pas un courant suffisant pendant plus de quatre heures. **AVERTISSEMENT** : n'insérez pas les piles à l'envers ; vous risqueriez d'endommager gravement le CH88 et d'annuler votre garantie.

5. **Contrôle du GAIN d'entrée** - Ce contrôle ajuste la sensibilité d'entrée de l'émetteur. Pour des performances optimales, réglez à l'aide du tournevis fourni la commande de GAIN d'entrée à l'endroit où l'indicateur PEAK de l'CR88x commence à s'allumer à des niveaux élevés, puis baissez lentement jusqu'à ce que l'indicateur PEAK s'éteigne.

6. **Lentille infrarouge** - Cette lentille est utilisée pour capturer le signal infrarouge envoyé par le système CR88x lors du réglage IR (SET IR) pour canaliser l'émetteur. Le couvercle du compartiment à piles doit être ouvert et la lentille IR orientée vers le récepteur pour charger le canal sélectionné.

7. **Tournevis** - Conçu pour l'ajustement du contrôle GAIN de l'entrée CH88.



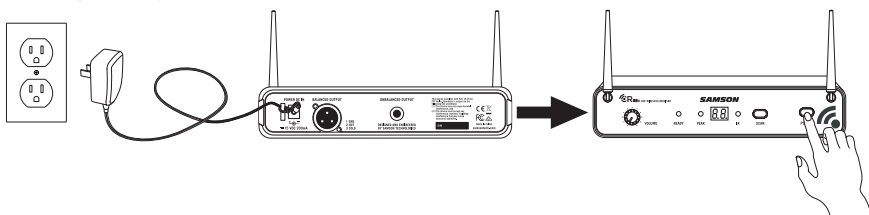
Démarrage rapide - Mise en service d'un système unique

Pour que votre système sans fil fonctionne correctement, le récepteur et l'émetteur doivent être réglés sur le même canal.

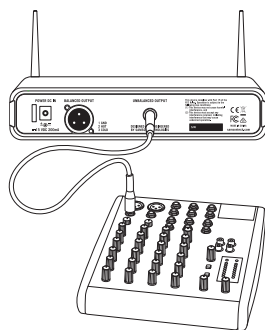
Suivez cette procédure de base pour la mise en place et l'utilisation de votre système sans fil Concert 88x :

Placer physiquement le récepteur CR88x là où il sera utilisé et sortir les antennes verticalement. La règle générale est de maintenir une « ligne de visée » entre le récepteur et l'émetteur afin que la personne qui utilise ou porte l'émetteur puisse voir le récepteur.

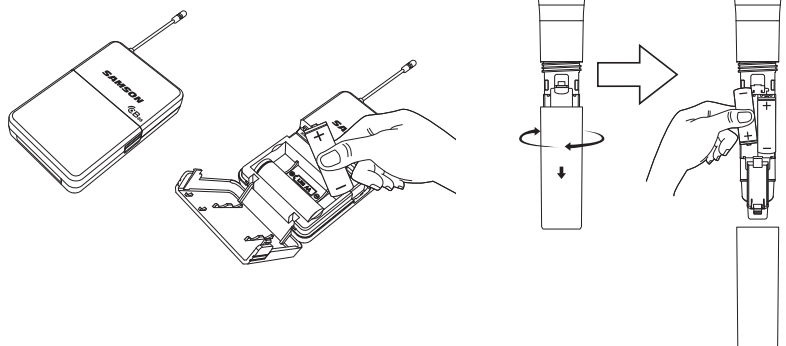
L'CR88x étant hors tension, branchez l'adaptateur d'alimentation fourni. Allumez le système CR88x momentanément pour confirmer que l'appareil est sous tension. L'écran LED s'allume. Puis éteignez le système CR88x.



Avec l'amplificateur ou le mixeur hors tension et la commande de volume au niveau le plus faible, reliez la prise de sortie du récepteur CR88x à l'entrée micro ou à l'entrée de niveau de ligne d'un mixeur ou d'un amplificateur via la sortie XLR symétrique ou la sortie de niveau de ligne asymétrique de 1/4 po. Tournez le bouton du niveau à fond dans le sens anti-horaire sur le système CR88x, puis mettez ce dernier sous tension.

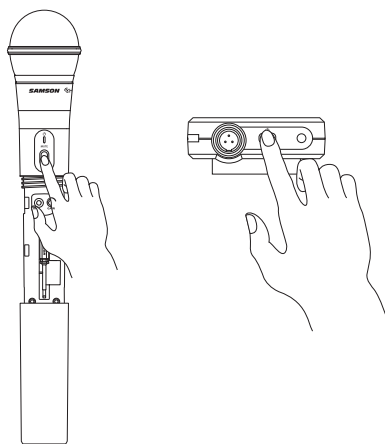


L'émetteur éteint, installez deux piles AA neuves dans l'attache-ceinture du CB88 ou l'émetteur portable CH88. Laissez le compartiment des piles ouvert.



Démarrage rapide - Mise en service d'un système unique

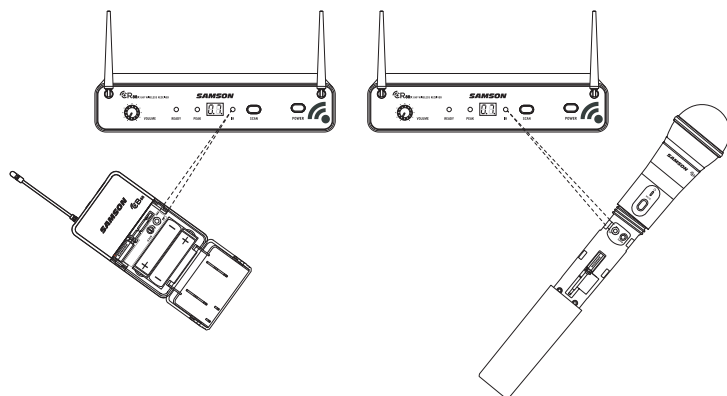
Mettez l'émetteur sous tension en appuyant sur l'interrupteur d'alimentation et en le maintenant enfoncé. L'indicateur LED s'allume en vert.



Appuyez sur la touche SCAN pendant plus de 2 secondes (l'affichage commence à clignoter rapidement) à l'avant du récepteur CR88x pour rechercher un canal disponible. Une fois que le canal optimal est sélectionné, le récepteur passe en mode Réglage IR. L'affichage clignote lentement en mode Réglage IR.

Si vous voulez régler un émetteur sur le canal actuellement sélectionné du récepteur, appuyez sur le bouton SCAN et maintenez-le enfoncé pendant plus de 10 secondes (jusqu'à ce que l'affichage clignote lentement) pour passer directement en mode Réglage IR.

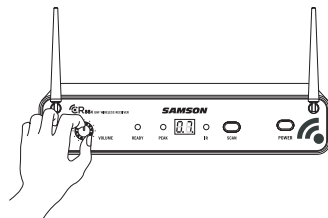
Placez l'émetteur à environ 15 à 30 cm (6 à 12 po) de l'avant de l'appareil CR88x avec la fenêtre IR de l'émetteur faisant face à l'émetteur IR sur le panneau avant du CR88x.



Démarrage rapide - Mise en service d'un système unique

Lorsque la transmission est terminée, le CR88x reçoit le signal RF et la clé de tonalité depuis l'émetteur. Le voyant READY (prêt) s'allume sur le panneau avant du récepteur CR88x.

Allumez alors l'amplificateur connecté ou une console de mixage, mais maintenez le volume au plus bas. Tournez le bouton du volume du CR88x complètement dans le sens des aiguilles d'une montre (jusqu'au niveau « 10 »). Il s'agit du gain de l'unité.



Parlez ou chantez dans le microphone, ou si vous utilisez l'émetteur avec un instrument connecté, jouez de l'instrument à un niveau de performance normal.

Augmentez lentement le volume de l'amplificateur ou de la console de mixage, jusqu'à ce que vous ayez atteint le niveau souhaité.

Si vous constatez que le système présente des pertes notables, une diminution de l'amplitude de fonctionnement en général, ou des salves de bruit inattendues, modifiez le canal de fonctionnement du système en suivant les étapes ci-dessus.

Configuration de systèmes multiples

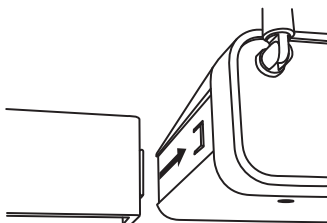
En cas d'utilisation de plusieurs systèmes, chaque système doit être réglé sur un canal d'exploitation différent. Les paires émetteurs-récepteurs doivent être sur la même gamme de fréquences pour pouvoir fonctionner simultanément.

Lorsque vous installez un émetteur supplémentaire, veillez à fermer tous les autres compartiments des piles de l'émetteur pour vous assurer que la lentille infrarouge est couverte.

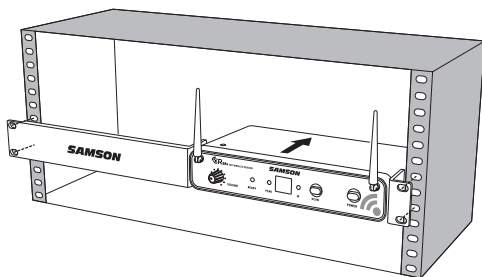
Montage sur rack

Le récepteur CR88x peut être installé dans un rack standard de 48,2 cm (19 po) pour le transport ou l'installation permanente en utilisant les adaptateurs de rack inclus. Exécutez les simples étapes suivantes pour installer le CR88x :

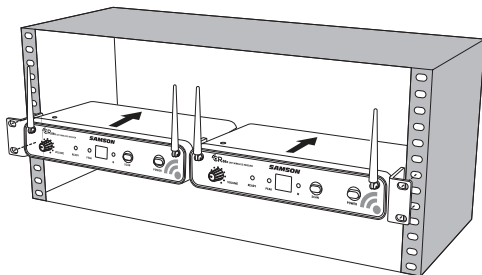
Placez les oreillettes incluses en glissant chacune d'entre elles dans la rainure de chaque côté du CR88x jusqu'à ce qu'ils se verrouillent en place, et le récepteur à la base du panneau avant.



Placez le récepteur CR88x dans un espace de rack disponible et faites-le glisser jusqu'à ce que les adaptateurs de rack touchent les rails du montant de rack et soient alignés avec les orifices des rails du rack.



Montez le récepteur dans le rack à l'aide de vis de rack de taille appropriée (non incluses). Pour assurer une tension et un équilibre homogènes lors de l'installation du récepteur, les vis doivent être serrées en opérant en croix aux angles opposés : en haut à gauche -> en bas à droite -> en haut à droite -> en bas à gauche.



Pour monter deux récepteurs CR88x dans un seul espace de rack, le système comprend une pièce de connexion centrale. Faites glisser la pièce de connexion centrale dans la rainure et fixez les adaptateurs courts de rack sur chaque récepteur. Montez les récepteurs dans le rack en opérant en croix, comme décrit ci-dessus.

Dépannage

Problème	Solutions
Pas de son	Assurez-vous que l'émetteur et le récepteur sont allumés.
	Assurez-vous que les piles de l'émetteur sont correctement installées.
	Vérifiez que le son de l'émetteur n'est pas coupé.
	Vérifiez que l'adaptateur CR88x est correctement connecté et branché sur une prise électrique.
	Allumez le récepteur CR88x.
	Assurez-vous que les connexions de sortie audio du CR88x sont correctement connectées.
	Assurez-vous que le récepteur et l'émetteur sont en ligne de mire l'un par rapport à l'autre.
	Vérifiez les contrôles de niveau du récepteur et de l'appareil d'entrée audio.
	Assurez-vous que l'émetteur et le récepteur sont réglés sur le même canal de fonctionnement. En cas de doute, réinitialisez le canal en suivant les étapes du « Guide de démarrage rapide ».
Son déformé	Le niveau de sortie du récepteur ou le niveau de l'appareil d'entrée audio peut être trop élevé.
	Vérifiez les piles de l'émetteur et remplacez-les si elles sont faibles.
	Le gain d'entrée de l'émetteur (CH88 ou CB88) ou le niveau de la source audio peut être trop élevé.
Perte audio	L'émetteur est peut-être trop éloigné du récepteur. Rapprochez-le du récepteur ou repositionnez les antennes.
	Enlevez toutes les sources qui peuvent causer des interférences RF telles que les téléphones portables, les téléphones sans fil, l'équipement d'éclairage, les ordinateurs, les structures métalliques, etc.
Le récepteur ne s'allume pas	Vérifiez l'adaptateur pour vous assurer qu'il est correctement connecté et branché sur une prise de courant.
L'émetteur ne s'allume pas (la LED s'allume en ROUGE)	Remplacez les piles de l'émetteur.
Bruit ou interférence indésirable	Si vous utilisez plusieurs systèmes, assurez-vous qu'aucun des systèmes ne fonctionne sur le même canal. Si le problème persiste, changez un ou tous les canaux du système.

Caractéristiques techniques

Systeme

Portée de travail	100 m (300 pieds) ligne de visée
Réponse en fréquence audio	50 Hz - 15 kHz
T.H.D. (Globalement)	< 1 % (@AF 1 kHz, RF 46 dBu)
Plage dynamique	> 100 dB pondérée A
Rapport signal/bruit	> 90 dB
Température de fonctionnement	-10 °C (14 °F) à +60 °C (+140 °F)
Fréquence du son des touches	35 kHz

Émetteur attache-ceinture CB88

Connecteur d'entrée	Mini-XLR (P3)
Impédance d'entrée	1 MΩ
Plage de gain d'entrée	38 dB
Puissance RF	10 mW EIRP
Alimentation électrique requise	Deux piles alcalines AA (LR6)
Autonomie de la batterie	8 heures
Dimensions (H x L x P)	96 x 62 x 18,5 mm 3,75 x 2,44 x 0,75 po
Poids	93 g/0,2 livres

Émetteur portable CH88

Élément de microphone	Dynamique
Plage de gain d'entrée	28 dB
Puissance RF	10 mW EIRP
Alimentation électrique requise	Deux piles alcalines AA (LR6)
Autonomie de la batterie	8 heures
Dimensions (H x Ø)	260 x 54 mm 10,23 x 2,1 po
Poids	218 g/0,48 livres

Récepteur CR88x

Niveau de sortie audio - asymétrique	+14 dBu
Niveau de sortie audio - symétrique	+9 dBu
Impédance de sortie audio - asymétrique	810 Ohms
Impédance de sortie audio - symétrique	240 Ohms
Sensibilité	-100 dBm / 30 dB sinad
Suppression de la fréquence--image	> 50 dB
Tension de fonctionnement	15 V c.c. 200 mA
Dimensions (L x l x H)	210 x 125 x 44 mm 8,25 x 4,9 x 1,75 po
Poids	400 g/0,88 livres

Chez Samson, nous améliorons continuellement nos produits, c'est pourquoi les caractéristiques techniques et les images sont sujettes à changement sans préavis.

Bandes de fonctionnement et gammes de fréquences

Bande	Gamme de fréquences
K ^a	470-494 MHz
D ^a	542-566 MHz
IL [*]	794-806 MHz
B [*]	806-810 MHz
G [*]	863-865 MHz

* Ne pas utiliser aux États-Unis et au Canada.

Opération Fréquence Européenne

Remarque : cet équipement est destiné à des applications musicales professionnelles et similaires, et peut être capable de fonctionner sur certaines fréquences non autorisées dans votre région. Veuillez contacter l'autorité nationale compétente pour obtenir des informations sur les fréquences autorisées pour les produits de microphones sans fil dans votre région.

Bande	Gamme de fréquences	Codes des pays de l'UE	Note
K ^a	470-494 MHz	AT, BE, BG, CY, CZ, DK, EE, FI, FR, DE, GR, HU, IS, IE, IT, LV, LT, LU, MT, NL, NO, PL, PT, RO, SK, SI, ES, SE, CH, UK	
D ^{**}	542-566 MHz		
IL ^{**}	794-806 MHz		Pour utilisation en Israël
B ^{**}	806-810 MHz		Pour utilisation au Japon
G	863-865 MHz	AT, BE, BG, CY, CZ, DK, EE, FI, FR, DE, GR, HU, IS, IE, IT, LV, LT, LU, MT, NL, NO, PL, PT, RO, SK, SI, ES, SE, CH, UK	Sans licence

** Ne pas utiliser dans l'UE.

^a Octroi de licences : Notez qu'une licence ministérielle pour exploiter cet équipement peut être requise dans certaines régions. Renseignez-vous auprès de l'autorité nationale compétente pour connaître les exigences éventuelles. L'octroi d'une licence pour l'équipement microphone sans fil Samson relève de la responsabilité de l'utilisateur et dépend de la classification, de l'application et de la fréquence choisie par l'utilisateur.

Wichtige Sicherheitsinformationen



**ACHTUNG
RISQUE D'ÉLECTROCUTION !
NE PAS OUVRIR**

ACHTUNG! UM STROMSCHLAG ZU VERMEIDEN, NEHMEN SIE FRONTBLLENDE UND RÜCKWAND NICHT SELBST AB. IM INNEREN DES GERÄTS BEFINDEN SICH KEINE VOM ANWENDER ZU WARTENDEN TEILE. ÜBERLASSEN SIE WARTUNGS- UND REPARATURARBEITEN QUALIFIZIERTEN FACHKRÄFTEN.



Das Dreieck mit dem Blitz-Pfeil-Symbol soll den Anwender darauf hinweisen, dass nicht isolierte „gefährliche Spannung“ im Gerätegehäuse vorhanden ist und diese u. U. ein Stromschlagrisiko darstellt.



Das Dreieck mit dem Ausrufezeichen soll für den Anwender wichtige Hinweise zu Betrieb und Wartung des Geräts in der mitgelieferten Literatur hervorheben.

WARNHINWEIS:

UM FEUER UND STROMSCHLAG ZU VERMEIDEN, VERWENDEN SIE DIESEN STECKER NICHT ZUSAMMEN MIT VERLÄNGERUNGSKABELN, ADAPTERN ODER STECKDOSEN, BEI DENEN DIE POLE NICHT VOLLSTÄNDIG EINGEFÜHRT WERDEN KÖNNEN. UM FEUER UND STROMSCHLAG ZU VERMEIDEN, DÜRFEN SIE DAS SYSTEM WEDER REGEN NOCH FEUCHTIGKEIT AUSSETZEN. STECKEN SIE DEN BREITEN POL GANZ IN DEN BREITEN SCHLITZ, UM STROMSCHLÄGEN VORZUBEUGEN.



Wenn Sie dieses Produkt entsorgen möchten, werfen Sie es nicht in den allgemeinen Hausmüll. Es gibt ein separates Sammelsystem für gebrauchte, elektronische Produkte gemäß der Gesetzgebung, die eine ordnungsgemäße Behandlung, Rückgewinnung und Recycling erfordert.

Privathaushalte in den 28 Mitgliedsstaaten der EU, in der Schweiz und in Norwegen können ihre gebrauchten, elektronischen Produkte kostenlos an benannte Sammelstellen oder an einen Einzelhändler zurückgeben (wenn Sie ein ähnliches neues Produkt kaufen).

Für Länder, die nicht oben erwähnt werden, wenden Sie sich bitte an Ihre örtlichen Behörden, um eine ordnungsgemäße Entsorgungsmethode zu erfragen.

Auf diese Weise stellen Sie sicher, dass Ihr entsorgtes Produkt der erforderlichen Bearbeitung, Verwertung und Wiederverwertung unterzogen wird und verhindern so mögliche negative Auswirkungen auf die Umwelt und die menschliche Gesundheit.

Wichtige Sicherheitsinformationen

1. Lesen Sie diese Anweisungen.
2. Bewahren Sie diese Anweisungen auf.
3. Beachten Sie alle Warnhinweise.
4. Befolgen Sie alle Anweisungen.
5. Verwenden Sie dieses Gerät nicht in der Nähe von Wasser.
6. Reinigen Sie es nur mit einem trockenen Tuch.
7. Blockieren Sie keine Lüftungsöffnungen. Installieren Sie das Gerät gemäß den Anweisungen des Herstellers.
8. Installieren Sie das Gerät nicht in der Nähe von Wärmequellen wie Heizkörpern, Heizregistern, Öfen oder anderen Geräten (einschließlich Verstärkern), die Wärme erzeugen.
9. Machen Sie nicht die Sicherheitsfunktion des polarisierten oder geerdeten Steckers nicht unwirksam. Ein polarisierter Stecker hat zwei Kontakte, von denen einer breiter ist als der andere. Ein geerdeter Stecker hat zwei Kontakte und eine dritte Erdungszinke. Der breite Kontakt oder die dritte Zinke sind zu Ihrer Sicherheit vorgesehen. Wenn der mitgelieferte Stecker nicht in Ihre Steckdose passt, wenden Sie sich an einen Elektriker, um die veraltete Steckdose auszutauschen.
10. Sorgen Sie dafür, dass nicht auf das Netzkabel getreten oder dass es nicht eingeklemmt wird, insbesondere an den Steckern, Steckdosen und an der Stelle, an der es aus dem Gerät austritt.
11. Verwenden Sie nur vom Hersteller spezifizierte Anbauteile/Zubehörteile.
12. Nur mit dem vom Hersteller angegebenen oder mit dem Gerät verkauften Wagen, Ständer, Stativ, Halter oder Tisch verwenden. Wenn ein Wagen verwendet wird, ist beim Bewegen des Wagens/der Gerätekombination Vorsicht geboten, um Verletzungen durch Umkippen zu vermeiden.
13. Ziehen Sie den Stecker des Geräts während eines Gewitters oder bei längerer Nichtbenutzung aus der Steckdose.
14. Überlassen Sie alle Wartungsarbeiten qualifiziertem Personal. Ein Wartungseinsatz ist erforderlich, wenn das Gerät auf irgendeine Weise beschädigt wurde, z. B. wenn das Netzkabel oder der Stecker beschädigt ist, Flüssigkeit verschüttet wurde oder Gegenstände in das Gerät gefallen sind, Regen oder Feuchtigkeit ausgesetzt waren, nicht normal funktionieren oder fallen gelassen wurden.
15. Dieses Gerät darf keinem Tropf- oder Spritzwasser ausgesetzt sein und es dürfen keine mit Flüssigkeit gefüllten Gegenstände, wie z. B. Vasen, auf das Gerät gestellt werden.
16. Vorsicht, um einen Stromschlag zu vermeiden, muss der breite Kontakt vollständig in den breiten Kontaktschlitz eingeschoben werden.
17. Bitte sorgen Sie für eine gute Lüftung rund um das gesamte Gerät.
18. Das direkte Steckernetzteil wird als Trennvorrichtung verwendet, die Trennvorrichtung muss problemlos bedienbar bleiben.
19. Batterien (Akkupack oder eingebaute Batterien) dürfen keiner übermäßigen Hitze wie Sonne, Feuer oder dergleichen ausgesetzt werden.



Wichtige Sicherheitsinformationen

FCC-Vorschriften und -Bestimmungen

Kabellose Empfänger von Samson sind nach den FCC-Vorschriften Teil 15 und Sender nach den FCC-Vorschriften Teil 74 zertifiziert. Die Lizenzerteilung der Geräte von Samson liegt in der Verantwortung des Benutzers, und die Lizenzierbarkeit hängt von der Klassifizierung, Anwendung und ausgewählten Frequenz des Benutzers ab.

Dieses Gerät entspricht Teil 15 der FCC-Vorschriften Class B und RSS-210 von Industry & Science Canada.

Der Betrieb unterliegt den folgenden beiden Bedingungen:

- (1) Dieses Gerät darf keine schädlichen Störungen verursachen und
- (2) dieses Gerät muss alle empfangenen Störungen akzeptieren, einschließlich Störungen, die einen unerwünschten Betrieb verursachen können. Geeignet für den Heim- oder Bürogebrauch.

HINWEIS: Dieses Gerät wurde getestet und entspricht den Grenzwerten für ein digitales Gerät der Class B gemäß Teil 15 der FCC-Vorschriften. Diese Grenzwerte sollen einen angemessenen Schutz vor schädlichen Störungen in einer Wohnanlage bieten. Dieses Gerät erzeugt und verwendet Hochfrequenzenergie, kann diese abstrahlen und, wenn es nicht gemäß den Anweisungen installiert und eingesetzt wird, schädliche Störungen der Funkkommunikation verursachen. Es gibt jedoch keine Garantie dafür, dass bei einer speziellen Anlage keine Störungen auftreten. Wenn dieses Gerät schädliche Störungen am Radio- oder Fernsehempfang verursacht, was durch Aus- und Einschalten des Geräts festgestellt werden kann, wird dem Benutzer empfohlen, zu versuchen, die Störungen durch eine oder mehrere der folgenden Maßnahmen zu beheben:

- Richten Sie die Empfangsantenne neu aus oder verlegen Sie sie.
- Vergrößern Sie den Abstand zwischen Gerät und Empfänger.
- Schließen Sie das Gerät an eine Steckdose in einem anderen Stromkreis als dem, an den der Empfänger angeschlossen ist.
- Wenden Sie sich an den Händler oder einen erfahrenen Radio-/Fernsehtechniker.

WARNHINWEIS: Änderungen oder Umbauten, die nicht ausdrücklich von der für die Einhaltung der Vorschriften verantwortlichen Stelle genehmigt wurden, könnten die Befugnis des Benutzers zum Betrieb des Geräts aufheben.

Dieses Gerät ist für den Einsatz in drahtlosen Mikrofonanwendungen vorgesehen.

Die Geräte sind in folgenden Ländern zum Verkauf bestimmt: AT, BE, CH, CY, CZ*, DK, EE, FI*, FR*, DE*, GR*, HU, IE, IS, IT, LV, LT*, LU, MT*, NL, NO*, PL* PT, RO, SK, SI, ES, SE, UK

*Bei Erhalt der Lizenz. Bitte wenden Sie sich an Ihre nationale Funkbehörde für Informationen über die verfügbare legale Nutzung in Ihrer Region. Alle Änderungen, die nicht ausdrücklich von Samson Technologies Corp. genehmigt wurden, können Ihre Berechtigung zum Betrieb des Geräts aufheben.

Hiermit erklärt Samson Technologies Corp., dass CH88x, CH88 und CB88 die wesentlichen Anforderungen und sonstige anwendbare Bestimmungen der Richtlinie 2014/53/EU erfüllen. Die Konformitätserklärung ist über folgenden Link einsehbar:

http://www.samsontech.com/site_media/support/manuals/Concert88x_DOC.pdf

Einführung

Herzlichen Glückwunsch zum Kauf des drahtlosen Concert 88x System von Samson. Das Concert 88x System ist die ideale Lösung für den aktiven Künstler, der ein zuverlässiges, großartig klingendes System für drahtlose Anwendungen benötigt. Das Concert 88x System bietet 100 verfügbare Kanäle für einen frequenzagilen UHF-Betrieb und sichert so eine zuverlässige drahtlose Darbietung. Der Empfänger bietet eine einfache Einstellung mit 1-Touch-Scanner, der den klarsten Betriebskanal analysiert und auswählt, sowie ein Infrarot-Set, um den Sender mit dem Empfänger zu koppeln.

Das Concert 88x System gewährleistet eine klare, unterbrechungsfreie Darbietung durch die Kombination von Tonart und automatischer Stummschaltung. Diese Konfiguration lässt nur den Ton des Senders durch den Empfänger passieren und schaltet den Ausgang bei Störungen stumm.

Das Concert 88x System ist in vier Konfigurationen erhältlich. Das handgerechte System für Sänger umfasst den CH88 Handsender und eine dynamische Mikrofonskapsel. Das CB88 Beltpack-System kann entweder mit einem Headset-Mikrofon, einem Lavalier-Mikrofon oder einem 1/4"/6,3mm-Instrumentenkabel konfiguriert werden. Für Unterwegs oder feste Installation enthält das Concert 88x System ein Standard 19"-Rackmount-Kit.

Auf diesen Seiten finden Sie eine detaillierte Beschreibung der Funktionen des Concert 88x Systems sowie eine Führung durch das Bedienfeld, eine Schritt-für-Schritt-Anleitung für die Einrichtung und den Gebrauch sowie die vollständigen Spezifikationen. Wenn Ihr drahtloses System in den Vereinigten Staaten gekauft wurde, finden Sie auch eine Registrierungskarte beigelegt - vergessen Sie nicht, die Anweisungen zu befolgen, damit Sie online technische Unterstützung erhalten und wir Ihnen in Zukunft aktualisierte Informationen über dieses und andere Samson-Produkte zusenden können. Alle wichtigen Informationen zu unserer gesamten Produktpalette finden Sie auch auf unserer Website (www.samsontech.com).

Wir empfehlen, die folgenden Informationen und Ihren Kaufbeleg aufzubewahren:

Seriennummer des Empfängers: _____

Seriennummer des Senders: _____

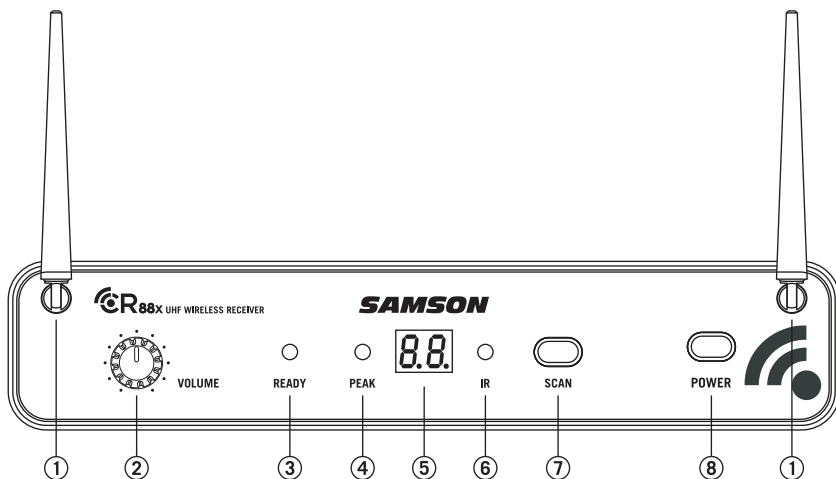
Kaufdatum: _____

Händler: _____

Wenn Sie Fragen oder Anmerkungen zum Concert 88x Mikrofon-System oder anderen Produkten von Samson haben, kontaktieren Sie uns unter support@samsontech.com.

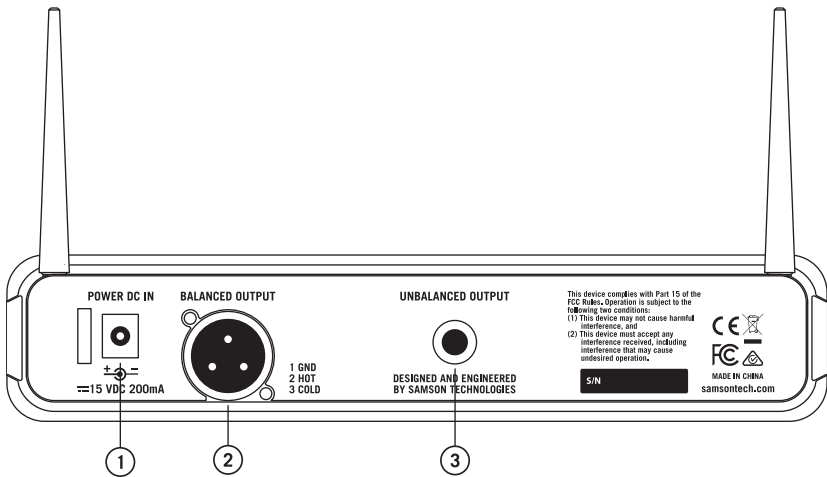
Bei sachgemäßer Pflege und Wartung funktioniert Ihr Concert 88x System viele Jahre lang störungsfrei. Sollte Ihr Concert 88x System jemals gewartet werden müssen, muss eine Rücksendenummer (RA-Nummer) eingeholt werden, bevor Sie Ihr Gerät an Samson schicken. Ohne diese Nummer wird das Gerät nicht akzeptiert. Bitte besuchen Sie www.samsontech.com/ra vor dem Versand Ihres Gerätes, um eine RA-Nummer anzufordern. Bitte bewahren Sie das Material der Originalverpackung auf und senden Sie das Gerät nach Möglichkeit im Originalkarton zurück. Wenn Ihr Concert 88x System außerhalb der Vereinigten Staaten gekauft wurde, wenden Sie sich an Ihren örtlichen Händler, um Garantie- und Serviceinformationen zu erfragen.

Funktionen des CR88x Empfängers auf der Vorderseite

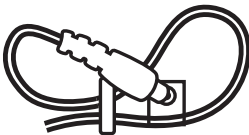


1. **Antennen** - Die Antennenhalterungen ermöglichen eine vollständige Drehung für eine optimale Platzierung. Bei normalem Betrieb sollten beide Antennen vertikal angebracht sein. Beide Antennen können für den Transport des CR88x bequem nach innen eingeklappt werden.
2. **VOLUME-Regler** - Mit diesem Regler wird der Pegel des Audiosignals eingestellt, das über die symmetrischen und unsymmetrischen Ausgangsbuchsen auf der Rückseite ausgegeben wird. Der Referenzpegel befindet sich in der Anschlagsposition im Uhrzeigersinn (Einstellung auf „10 Uhr“).
3. **READY-Anzeige** - Diese Anzeige leuchtet grün, wenn der CR88x ein HF-Signal empfängt und das System betriebsbereit ist.
4. **PEAK-Anzeige** - Diese Anzeige leuchtet rot, wenn das übertragene Audiosignal überlastet ist.
5. **LED-Anzeige** - Die zweistellige 7-Segment LED-Anzeige zeigt den aktuellen Betriebskanal des Empfängers an.
6. **IR-Sender** - Während des „IR-SET“ wird ein Infrarotlicht benutzt, um den Senderkanal einzustellen.
7. **SET-Taste** - Drücken Sie diese Taste **länger als 2 Sekunden**, um in den Scan-Modus zu gelangen, die Anzeige wird schnell blinken. Der Empfänger sucht sich durch die 100 Betriebskanäle, um den optimalen Kanal für die Leistung zu finden. Nach Abschluss des Suchvorgangs wechselt der CR88x in den IR-Setzmodus und sendet den ausgewählten Kanal an den Sender.
Halten Sie die Taste **länger als 10 Sekunden** gedrückt, um in den IR-Einstellmodus zu gelangen, die Anzeige blinkt langsam. Dadurch wird der aktuell ausgewählte Kanal des Empfängers an den Sender gesendet.
8. **POWER-Taste** - Halten Sie diese Taste gedrückt, um den CR88x ein- bzw. auszuschalten.

Funktionen des CR88x Empfängers auf der Rückseite

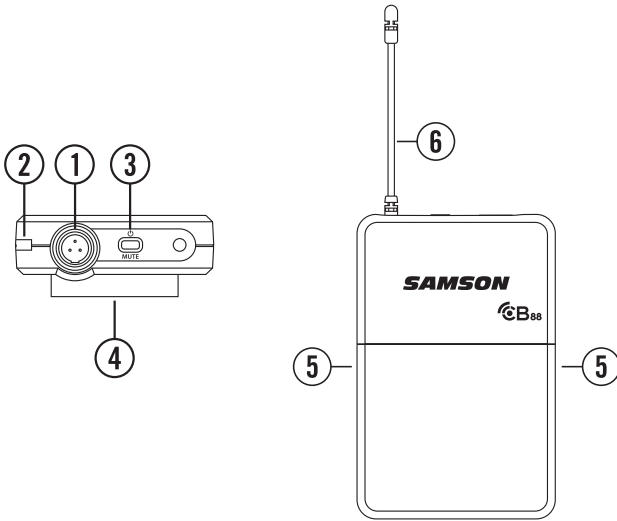


- 1. DC-Eingang** - Schließen Sie hier das mitgelieferte Netzteil an und verwenden Sie die Zugentlastung wie in der Abbildung unten dargestellt. **WARNHINWEIS:** Ersetzen Sie kein anderes Netzteil. Andernfalls kann der CR88x schwer beschädigt werden und die Garantie wird ungültig.
- 2. BALANCED OUTPUT** - Diese elektronisch symmetrische niederohmige (600 Ohm) XLR-Buchse dient dem Anschluss des CR88x an professionelle (+4 dBu) Audiogeräte. Die Stiftverdrahtung ist wie folgt: Stift 1 Masse, Stift 2 hoch (heiß) und Pin 3 niedrig (kalt).
- 3. UNBALANCED OUTPUT** - Diese unsymmetrische hochohmige (5 kOhm) Klinkenbuchse (6,3 mm; 1/4") dient dem Anschluss des CR88x an Konsumer-Audiogeräte (-10 dBV). Die Verdrahtung ist wie folgt: Spitze heiß, Hülse Masse.



Verwenden der Zugentlastung: Nehmen Sie eine Kabelschleife und führen Sie sie durch die Zugentlastung. Führen Sie dann den Adapterstecker durch die Schlaufe, um einen Knoten zu machen.

CB88 Beltpack-Sender - Funktionen

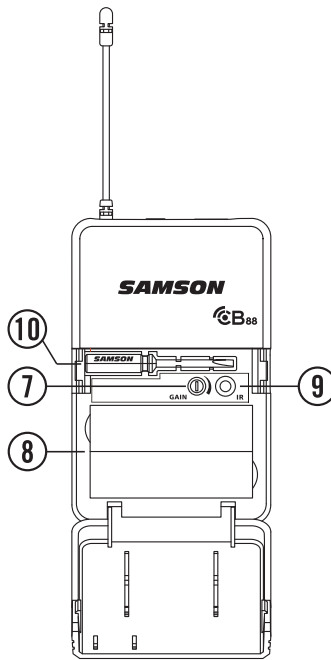


- Eingangsanschluss** - Schließen Sie das Eingabegerät über den Mini-XLR-Anschluss an. Das CB88 wird entweder mit einem Lavalier, einem Headset-Mikrofon oder einem 1/4"/6,3 mm-Instrumentenkabel geliefert.
- Statusanzeige** - Diese LED zeigt den Betriebsmodus an:

GRÜN	Normaler Betrieb
ROT	Mute
Blinken GRÜN	Schwache Batterie

- Netz-/Mute-Schalter** - Halten Sie diese Taste gedrückt, um das Gerät ein- oder auszuschalten. Drücken und loslassen, um den Sender stumm zu schalten oder die Stummschaltung zu deaktivieren.
- Gurtclip** - Verwenden Sie diesen Clip, um den CB88-Sender an einem Gurt zu befestigen.
- Entriegelung der Batterieabdeckung** - Drücken Sie beide Seiten ein und ziehen Sie sie zurück, um die Batterieabdeckung des CB88 zu öffnen.
- Antenne** - Diese fest angebrachte Senderantenne sollte im Normalbetrieb vollständig ausgefahren sein.

CB88 Beltpack-Sender - Funktionen



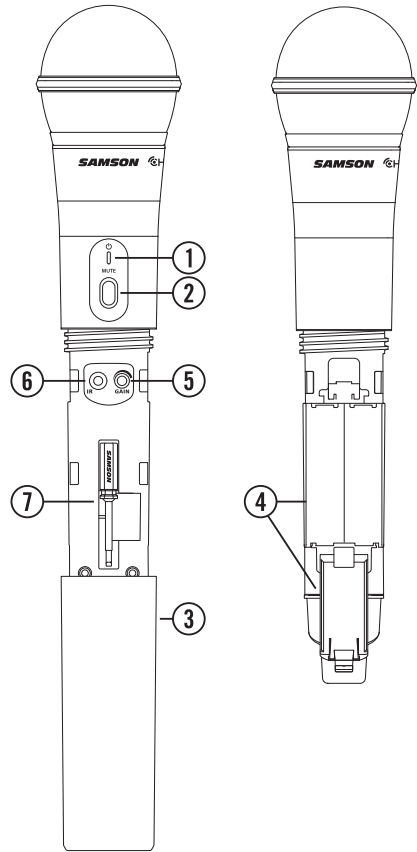
- 7. Input GAIN Control** - Dieser Regler stellt die Eingangsempfindlichkeit des Senders ein um mit, um mit Mikrofon- und Instrumenteneingängen zu arbeiten. Für eine optimale Leistung stellen Sie die Input GAIN Control mit dem mitgelieferten Schraubendreher so ein, dass die PEAK-Anzeige des CR88x bei hohen Werten zu leuchten beginnt, und drehen Sie sie dann langsam herunter, bis die PEAK-Anzeige aufhört zu leuchten.
- 8. Batteriefach** - Legen Sie hier zwei Standardbatterien AA (LR6) ein und achten Sie auf die angegebenen Plus- und Minuspol-Markierungen. Obwohl wiederaufladbare Ni-Cad-Akkus verwendet werden können, liefern sie nicht länger als vier Stunden ausreichenden Strom. **WARNHINWEIS:** Legen Sie die Batterien nicht umgekehrt ein, da dies zu schweren Schäden an dem CB88 führen kann und Ihre Garantie erlischt.
- 9. IR-Linse** – Dieses Fenster dient dem Empfang des Infrarotsignals des CR88x, wenn die Funktion IR SET zur Kanaleinstellung des Senders ausgeführt wird.
- 10. Schraubenzieher** - Entwickelt für die Verwendung bei der Einstellung des Input GAIN Reglers an dem CB88.

CH88 Handsender - Funktionen

1. **Statusanzeige** - Diese LED zeigt den Betriebsmodus an:

GRÜN	Normaler Betrieb
ROT	Mute
Blinken GRÜN	Schwache Batterie

2. **Netz-/Mute-Schalter** - Halten Sie diese Taste gedrückt, um das Gerät ein- oder auszuschalten. Drücken und loslassen, um den Sender stumm zu schalten oder die Stummschaltung zu deaktivieren.
3. **Batterieabdeckung** - Schrauben Sie die Batterieabdeckung ab und schieben Sie sie nach unten, um das CH88-Batteriefach zu öffnen.
4. **Batteriehalterung** - Öffnen Sie die Batteriehalterung, indem Sie auf die Lasche drücken und die Abdeckung anheben. Legen Sie hier zwei Standardbatterien AA (LR6) ein und achten Sie auf die Einhaltung der angegebenen Plus- und Minuspol-Markierungen. Obwohl wiederaufladbare Ni-Cad-Akkus verwendet werden können, liefern sie nicht mehr als vier Stunden ausreichenden Strom. **WARNHINWEIS:** Legen Sie die Batterien nicht umgekehrt ein, da dies zu schweren Schäden an dem CH88 führen kann und Ihre Garantie erlischt.
5. **Input GAIN Control** - Dieser Regler stellt die Eingangsempfindlichkeit des Senders ein. Für eine optimale Leistung stellen Sie die Input GAIN Control mit dem mitgelieferten Schraubendreher so ein, dass die PEAK-Anzeige des CR88x bei hohen Werten zu leuchten beginnt, und drehen Sie sie dann herunter, bis die PEAK-Anzeige aufhört zu leuchten.
6. **IR-Linse** - Dieses Fenster wird verwendet, um das Infrarotsignal zu erfassen, das vom Empfänger des CR88x während der IR-Einstellung gesendet wird, um den Sender zu kanalisieren. Die Batterieabdeckung muss geöffnet sein und die IR-Linse zum Empfänger zeigen, um den ausgewählten Kanal zu laden.
7. **Schraubenzieher** - Entwickelt für die Verwendung bei der Einstellung des Input GAIN Reglers an dem CH88.



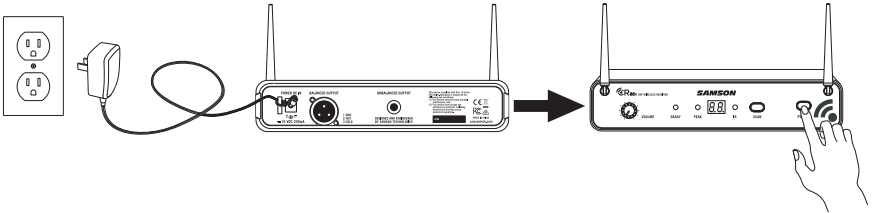
Schnellstart - Einrichtung eines einzelnen Systems

Damit Ihr Funksystem korrekt funktioniert, müssen Empfänger und Sender auf den gleichen Kanal eingestellt sein.

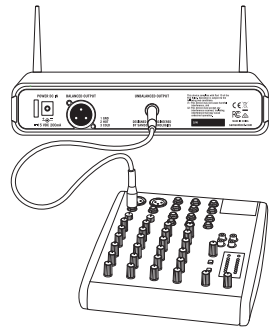
Gehen Sie bitte wie folgt vor, um Ihr Concert 88x System einzurichten und zu verwenden:

Platzieren Sie den CR88x-Empfänger physisch dort, wo er verwendet werden soll, und ziehen Sie die Antennen vertikal heraus. Die allgemeine Faustregel lautet: Bewahren Sie die „Sichtlinie“ zwischen Empfänger und Sender, so dass die Person, die den Sender benutzt oder trägt, den Empfänger sehen kann.

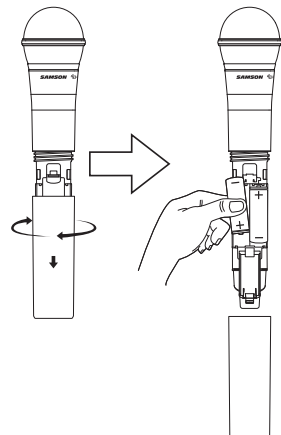
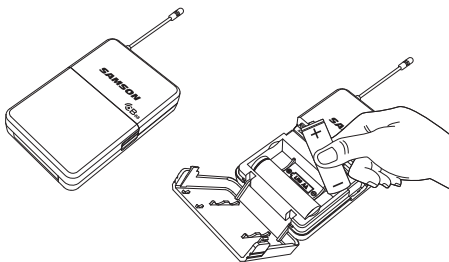
Schließen Sie bei ausgeschaltetem CR88x das mitgelieferte Netzteil an. Schalten Sie den CR88x kurz ein, um zu prüfen, ob die Stromversorgung funktioniert. Sie werden sehen, dass die LCD-Anzeige aufleuchtet. Schalten Sie die Stromversorgung des CR88x wieder aus.



Verbinden Sie bei ausgeschaltetem Verstärker oder Mischpult und ganz heruntergeregelter Lautstärke den Empfängerausgang CR88x mit dem Mikrofon- oder Line-Pegel-Eingang eines Mischpults oder Verstärkers über den symmetrischen XLR-Ausgang oder den unsymmetrischen 1/4"/6,35mm-Line-Pegel-Ausgang. Drehen Sie den Pegelregler des CR88x auf Anschlag gegen den Uhrzeigersinn und schalten Sie ihn dann ein.

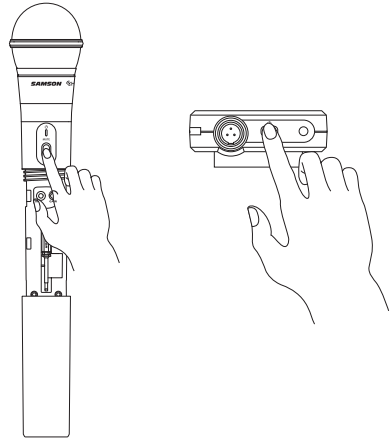


Legen Sie bei ausgeschaltetem Sender zwei frische AA-Batterien in die CB88-Gürteltasche oder den CH88-Handsender ein. Lassen Sie das Batteriefach offen.

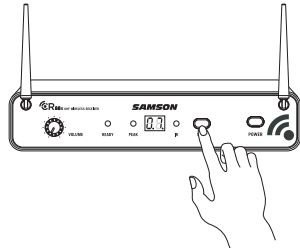


Schnellstart - Einrichtung eines einzelnen Systems

Schalten Sie die Stromversorgung des Senders ein, indem Sie den Netzschalter drücken und gedrückt halten. Die LED-Anzeige leuchtet grün.

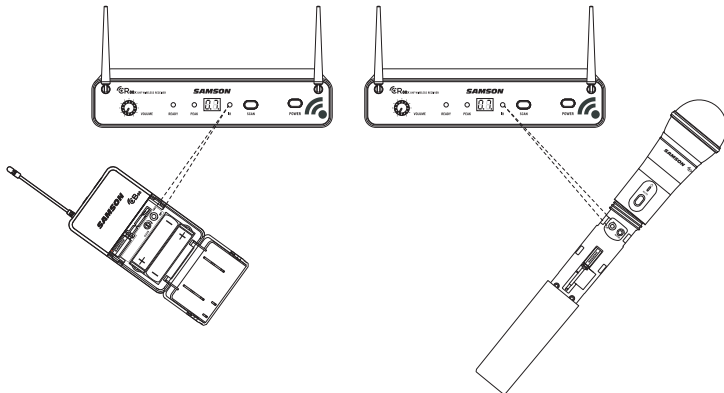


Drücken Sie die Taste SCAN länger als 2 Sekunden (die Anzeige beginnt schnell zu blinken) auf der Vorderseite des CR88x Empfängers, um nach einem verfügbaren Kanal zu suchen. Sobald der optimale Kanal ausgewählt ist, wechselt der Empfänger in den IR-Set-Modus. Die Anzeige blinkt im IR-Set-Modus langsam.



Wenn Sie einen Sender auf den aktuell ausgewählten Kanal des Empfängers einstellen möchten, halten Sie die SCAN-Taste länger als 10 Sekunden lang gedrückt (bis die Anzeige langsam blinkt), um direkt in den IR-Set-Modus zu gelangen.

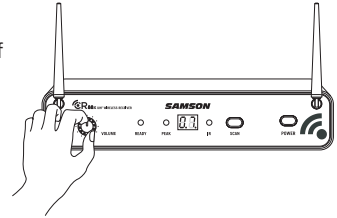
Positionieren Sie den Sender etwa 15 cm bis 30 cm (6" bis 12") von der Vorderseite des CR88x entfernt, wobei das IR-Fenster des Senders zum IR-Sender an der Vorderseite des CR88x-Empfängers zeigt.



Schnellstart - Einrichtung eines einzelnen Systems

Wenn die Übertragung abgeschlossen ist, empfängt der CR88x ein Funksignal und den Pilotton vom Sender. Die READY-Anzeige wird auf der Vorderseite des CR88x-Empfängers leuchten.

Schalten Sie Ihren angeschlossenen Verstärker oder Mixer ein, lassen Sie die Lautstärke jedoch auf dem Minimum. Drehen Sie den Lautstärkeregler des CR88x auf Anschlag im Uhrzeigersinn (Stellung „10 Uhr“). Dies ist Verstärkungsfaktor Eins.



Sprechen oder singen Sie in das Mikrofon, oder wenn Sie den Sender mit einem angeschlossenen Instrument verwenden, spielen Sie das Instrument auf normalem Leistungsniveau. Drehen Sie die Lautstärke an Ihrem Verstärker oder Mixer langsam auf, bis die gewünschte Lautstärke erreicht ist.

Wenn Sie wahrnehmbare Unterbrechungen, eine allgemein verringerte Reichweite oder unerwartete Störgeräusche feststellen, wechseln Sie den Übertragungskanal des Systems nach den oben aufgeführten Schritten.

Einrichtung mehrerer Systeme

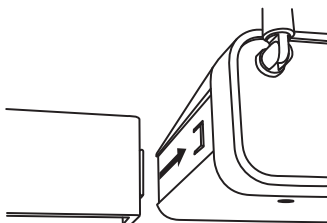
Bei der Verwendung mehrerer Systeme muss jedes System auf einen anderen Übertragungskanal eingestellt sein. Sender- und Empfängerpaare müssen sich auf dem gleichen Kanalplan befinden, damit sie zusammen funktionieren können.

Bei der Einstellung eines zusätzlichen Senders müssen alle anderen Batteriefächer des Senders geschlossen werden, um sicherzustellen, dass die IR-Linse abgedeckt ist.

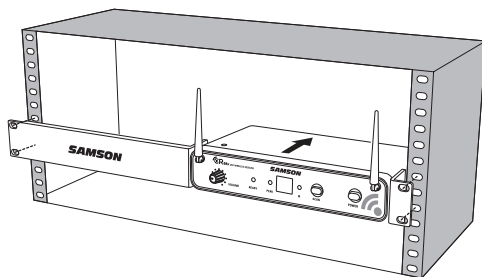
Rackmontage

Der CR88x-Empfänger kann mit den mitgelieferten Rackwinkeln in einem transportablen oder fest installierten 19"-Standardrack montiert werden. Befolgen Sie für die Montage des CR88x die folgenden einfachen Schritte:

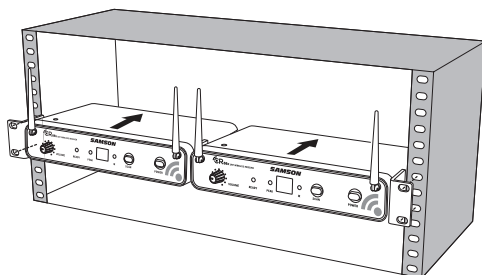
Befestigen Sie die mitgelieferten Rackwinkel, indem Sie jeden Rackwinkel in die Nut auf beiden Seiten des CR88x schieben, bis er einrastet und der Empfänger bündig mit der Frontplatte abschließt.



Positionieren Sie den CR88x an einem freien Rackplatz und schieben Sie ihn in das Rack, sodass die Rackwinkel die Schienen des Rackgehäuses berühren und an den Bohrungen in den Schienen ausgerichtet sind.



Befestigen Sie den Empfänger mit geeigneten Rackschrauben (nicht im Lieferumfang) im Rackgehäuse. Um gleichmäßige Kräfte und Balance bei der Installation des Empfängers sicherzustellen, sollten Sie die Schrauben über Kreuz festziehen: oben links -> unten rechts -> oben rechts -> unten links.



Um zwei CR99-Empfänger in einer Höheneinheit des Racks zu montieren, wird das System mit einem Verbindungsstück für die Verbindung zweier CR88x ausgeliefert. Schieben Sie das mittlere Verbindungsstück in die Nut jedes Empfängers und befestigen Sie die kurzen Ösen an jedem Empfänger. Montieren Sie die Empfänger mit dem oben beschriebenen Muster über Kreuz im Rack.

Fehlerbehebung

Problem	Lösungen
Kein Audio	Vergewissern Sie sich, dass sowohl der Sender als auch der Empfänger eingeschaltet sind.
	Vergewissern Sie sich, dass die Batterien des Senders richtig eingesetzt sind.
	Überprüfen Sie, dass der Sender nicht stumm geschaltet ist.
	Vergewissern Sie sich, dass der CR88x Adapter korrekt angeschlossen und mit einer Steckdose verbunden ist.
	Schalten Sie den CR88x Empfänger ein.
	Vergewissern Sie sich, dass die Audioausgangsanschlüsse des CR88x sicher angeschlossen sind.
	Stellen Sie sicher, dass sich Empfänger und Sender in Sichtlinie zueinander befinden.
	Überprüfen Sie die Pegelregler des Empfängers und des Audioeingangsgeräts.
	Stellen Sie sicher, dass Sender und Empfänger auf den gleichen Betriebskanal eingestellt sind. Wenn Sie sich nicht sicher sind, setzen Sie den Kanal zurück, indem Sie die Schritte im „Schnellstart“ befolgen.
Verzerrtes Audio	Der Ausgangspegel des Empfängers oder der Pegel des Audioeingangsgeräts ist möglicherweise zu hoch.
	Überprüfen Sie die Batterien der Sender und ersetzen Sie sie, wenn sie schwach sind.
	Die Eingangsverstärkung am Sender (CH88 oder CB88) oder der Pegel der Audioquelle ist möglicherweise zu hoch.
Audioausfall	Der Sender ist möglicherweise zu weit vom Empfänger entfernt . Schieben Sie ihn näher an den Empfänger heran oder positionieren Sie die Antennen neu.
	Entfernen Sie alle Quellen, die HF-Störungen verursachen können, wie z.B. Mobiltelefone, schnurlose Telefone, Beleuchtungsanlagen, Computer, Metallstrukturen usw.
Der Empfänger schaltet nicht ein.	Überprüfen Sie den Adapter, um sicherzustellen, dass er ordnungsgemäß angeschlossen und in einer Steckdose steckt.
Der Sender schaltet sich nicht ein (LED leuchtet ROT).	Ersetzen Sie die Senderbatterien.
Unerwünschte Geräusche oder Störungen	Wenn Sie mehrere Systeme verwenden, stellen Sie sicher, dass keines der Systeme auf demselben Kanal arbeitet. Wenn das Problem weiterhin besteht, ändern Sie einen oder alle Systemkanäle.

Spezifikationen

System

Reichweite	100 m (300') bei Sichtkontakt
Audiofrequenzreaktion	50 Hz - 15 kHz
T.H.D. (Gesamt)	<1% (@AF 1 kHz, HF 46 dBu)
Dynamikbereich	>100 dB A-bewertet
Rauschsignal	>90 dB
Betriebstemperatur	-10°C bis +60°C
Tontastenfrequenz	35 kHz

CB88 Beltpack Sender

Eingangsstecker	Mini-XLR (P3)
Eingangsimpedanz	1M Ω
Eingangsverstärkungsbereich	38 dB
HF-Leistung	10 mW EIRP
Leistungsanforderungen	Zwei AA (LR6) Alkali-Batterien
Akkulaufzeit	8 Stunden
Abmessungen (HxBXH)	96 mm x 62 mm x 62 mm x 18,5 mm
Gewicht	93 g (0,2 lb)

Handsender CH88

Mikrofonelement	dynamisch
Eingangsverstärkungsbereich	28 dB
HF-Leistung	10 mW EIRP
Leistungsanforderungen	Zwei AA (LR6) Alkali-Batterien
Akkulaufzeit	8 Stunden
Abmessungen (Hx \emptyset)	260 mm x 54 mm
Gewicht	218 g (0,48 lb)

CR88x Empfänger

Audio-Ausgangspegel – unsymmetrisch	+14 dBu
Audio-Ausgangspegel – symmetrisch	+9 dBu
Audio-Ausgangsimpedanz – unsymmetrisch	810 Ohm
Audio-Ausgangsimpedanz – symmetrisch	240 Ohm
Empfindlichkeit	-100 dBm / 30 dB sinad
Spiegelunterdrückung	>50 dB
Betriebsspannung	15 VDC, 200 mA
Abmessungen (LxBxH)	210mm x 125mm x 44mm 8,25" x 4,9" x 1,75"
Gewicht	400 g (0,88 lb)

Bei Samson verbessern wir unsere Produkte ständig, daher können sich Spezifikationen und Bilder ohne Vorankündigung ändern.

Betriebsbänder und Frequenzbereiche

Band	Frequenzbereich
K ^a	470-494 MHz
D ^a	542-566 MHz
IL [*]	794-806 MHz
B [*]	806-810 MHz
G [*]	863-865 MHz

* Nicht für den Einsatz in den USA und Kanada geeignet.

Europäischer Frequenzbetrieb

Hinweis: Dieses Gerät ist für professionelle Musik- und ähnliche Anwendungen vorgesehen und kann möglicherweise auf einigen in Ihrer Region nicht zugelassenen Frequenzen betrieben werden. Bitte wenden Sie sich an Ihre nationale Behörde, um Informationen über die zugelassenen Frequenzen für drahtlose Mikrofonprodukte in Ihrer Region zu erhalten.

Band	Frequenzbereich	EU-Länderkennzahlen	Hinweis:
K ^a	470-494 MHz	AT, BE, BG, CY, CZ, DK, EE, FI, FR, DE, GR, HU, IS, IE, IT, LV, LT, LU, MT, NL, NO, PL, PT, RO, SK, SI, ES, SE, CH, UK	
D ^{**}	542-566 MHz		
IL ^{**}	794-806 MHz		Zur Verwendung in Israel
B ^{**}	806-810 MHz		Zur Verwendung in Japan
G	863-865 MHz	AT, BE, BG, CY, CZ, DK, EE, FI, FR, DE, GR, HU, IS, IE, IT, LV, LT, LU, MT, NL, NO, PL, PT, RO, SK, SI, ES, SE, CH, UK	Lizenzfrei

** Nicht für die Verwendung in der EU geeignet.

^a Lizenzierung: Beachten Sie, dass in bestimmten Gebieten eine ministerielle Lizenz für den Betrieb dieser Ausrüstung erforderlich sein kann. Erkundigen Sie sich bei Ihrer nationalen Behörde nach möglichen Anforderungen. Die Lizenzierung von drahtloser Mikrofon-ausrüstung von Samson liegt in der Verantwortung des Benutzers, und die Lizenzierbarkeit hängt von der Klassifizierung und Anwendung des Benutzers sowie von der gewählten Frequenz ab.

Información importante sobre seguridad



ATENCIÓN
¡RIESGO DE ELECTROCUCIÓN!
¡NO ABRIR!

PRECAUCIÓN: PARA REDUCIR EL RIESGO DE DESCARGA ELÉCTRICA, NO RETIRE LA CUBIERTA (O PARTE TRASERA). NO HAY EN SU INTERIOR PIEZAS QUE EL USUARIO PUEDA REPARAR. ENCARGUE CUALQUIER REPARACIÓN A PERSONAL DE SERVICIO CUALIFICADO.



Este símbolo de un relámpago con punta de flecha dentro de un triángulo equilátero está destinado a alertar al usuario de la presencia de «voltaje peligroso» no aislado dentro de la caja del producto, que puede ser de la suficiente magnitud como para constituir un riesgo de descarga eléctrica.



El signo de exclamación dentro de un triángulo equilátero está destinado a alertar al usuario de la presencia de instrucciones importantes de funcionamiento y mantenimiento en la documentación que se adjunta con el aparato.

ADVERTENCIA

PARA EVITAR EL PELIGRO DE INCENDIO O DESCARGA ELÉCTRICA. NO UTILICE ESTE ENCHUFE CON UN CABLE DE EXTENSIÓN, RECEPTÁCULO U OTRA TOMA DE CORRIENTE A MENOS QUE LAS PATILLAS PUEDAN INSERTARSE COMPLETAMENTE, CON OBJETO DE EVITAR QUE LAS PATILLAS QUEDEN EXPUESTAS. PARA EVITAR EL PELIGRO DE INCENDIO O DESCARGA ELÉCTRICA. NO EXPONGA ESTE APARATO A LA LLUVIA O LA HUMEDAD. PARA EVITAR DESCARGAS ELÉCTRICAS, INSERTE COMPLETAMENTE LA PATILLA ANCHA DEL ENCHUFE EN LA TOMA DE CORRIENTE.



Si desea desechar este producto, no lo mezcle con los residuos domésticos de tipo general. Existe un sistema de recogida por separado para los productos electrónicos, de conformidad con la legislación que requiere un tratamiento, recuperación y reciclaje adecuados.

Los domicilios particulares de los 28 estados miembro de la UE, de Suiza y de Noruega pueden devolver sus productos electrónicos usados sin cargo alguno en instalaciones de recogida designadas o a un vendedor (en caso de que usted comprara uno nuevo similar).

Para los países no mencionados arriba, por favor, póngase en contacto con sus autoridades locales para informarse sobre un método de eliminación correcto.

Haciéndolo así, tendrá la seguridad de que su producto desechado se somete al tratamiento, recuperación y reciclaje necesarios y, de esta manera, evitará efectos potencialmente negativos en el entorno y la salud humana.

Información importante sobre seguridad

1. Lea estas instrucciones.
2. Guarde estas instrucciones.
3. Preste atención a todas las advertencias.
4. Siga todas las instrucciones.
5. No utilice este aparato cerca del agua.
6. Limpie únicamente con un paño seco.
7. No obstruya ninguna abertura de ventilación. Instale de conformidad con las instrucciones del fabricante.
8. No instale cerca de ninguna fuente de calor, como radiadores, rejillas de calefacción, estufas u otros aparatos (incluidos amplificadores) que produzcan calor.
9. No anule el propósito de seguridad del enchufe polarizado o de tipo de conexión a tierra. Un enchufe polarizado tiene dos patillas, siendo una más ancha que la otra. Un enchufe de tipo de conexión a tierra tiene dos patillas y una tercera clavija de conexión a tierra. La patilla ancha o la tercera clavija se proporcionan para su seguridad. Si el enchufe que se proporciona no encaja en su toma de corriente, consulte a un electricista para sustituir la toma obsoleta.
10. Evite pisar o pellizcar el cable de alimentación, en especial en los enchufes, los receptáculos y en el punto de donde salen del aparato.
11. Use únicamente conexiones o accesorios especificados por el fabricante.
12. Use únicamente con el carro, soporte, trípode, abrazadera o mesa que especifique el fabricante o que se haya vendido junto con el aparato. Cuando se utilice un carro, tenga precaución cuando mueva la combinación de carro/aparato para evitar daños producidos por posibles vuelques.
13. Desenchufe el aparato durante las tormentas eléctricas o cuando no vaya a utilizarse durante largos períodos de tiempo.
14. Encargue todas las reparaciones a personal cualificado. Las reparaciones son necesarias cuando el aparato ha resultado dañado en cualquier forma; por ejemplo, si el enchufe o el cable de alimentación están dañados, se han derramado líquidos o han caído objetos en el interior del aparato, si ha estado expuesto a lluvia o humedad, no funciona con normalidad, o se ha dejado caer.
15. No se debe exponer este aparato a gotas o salpicaduras de agua, ni depositar objetos que contengan líquido, como vasos, encima del aparato.
16. Precaución - Para evitar descargas eléctricas, inserte completamente la patilla ancha del enchufe en la toma de corriente.
17. Por favor, mantenga un entorno bien ventilado en los alrededores de la unidad al completo.
18. El adaptador de conexión directa se utiliza como dispositivo de conexión; el dispositivo de conexión deberá ser fácilmente accesible.
19. Las pilas (el pack de pilas o las pilas instaladas) no deberán ser expuestas a calor excesivo, como la luz solar, fuego o similares.



Información importante sobre seguridad

Normas y reglamentos de la FCC

Los receptores inalámbricos Samson están certificados en virtud del epígrafe 15 de las normas de la FCC, y los transmisores están certificados en virtud del epígrafe 74 de las normas de la FCC. El licenciado del equipo de Samson es responsabilidad del usuario, y la concesión de licencias depende de la clasificación del usuario, la aplicación y la frecuencia seleccionada.

Este dispositivo cumple con la Parte 15 de las Normas FCC Clase B y RSS-210 de Industry & Science Canada.

Su operación está sujeta a las dos condiciones siguientes:

- (1) Este dispositivo no debe ocasionar interferencia perjudicial, y
- (2) este dispositivo debe aceptar cualquier interferencia recibida, incluyendo interferencias que puedan causar un funcionamiento no deseado. Apto para uso doméstico o profesional.

NOTA: Este equipo ha sido sometido a pruebas y se ha encontrado que cumple con los límites para un dispositivo digital de Clase B, de conformidad con el epígrafe 15 de las normas de la FCC. Estos límites están diseñados para proporcionar protección razonable contra interferencias perjudiciales en una instalación residencial. Este equipo genera, usa y puede irradiar energía de radiofrecuencia y, de no instalarse y ser usado de acuerdo con las instrucciones, podría provocar interferencias perjudiciales a las radiocomunicaciones. No obstante, no se garantiza que las interferencias no puedan ocurrir en una instalación en particular. Si el equipo provoca interferencias perjudiciales en la recepción de radio o televisión, lo cual puede determinarse encendiendo y apagando el equipo, se anima al usuario a que trate de corregir la interferencia adoptando una o más de las siguientes medidas:

- Reoriente o cambie de ubicación la antena receptora.
- Aumente la separación entre el equipo y el receptor.
- Conecte el equipo a una toma de corriente en un circuito diferente a aquel al que está conectado el receptor.
- Si necesita ayuda, consulte a su vendedor o a un técnico de radio/TV con experiencia.

ADVERTENCIA: Cualquier cambio o modificación no aprobada de forma expresa por la parte responsable del cumplimiento podría anular la autoridad del usuario para manejar el equipo.

Este equipo está previsto para ser usado en aplicaciones de microfonía inalámbrica.

Este equipo está destinado a ser comercializado en: AT, BE, CH, CY, CZ*, DK, EE, FI*, FR*, DE*, GR*, HU, IE, IS, IT, LV, LT*, LU, MT*, NL, NO*, PL* PT, RO, SK, SI, ES, SE, UK

*Sujeto a licencia. Por favor, póngase en contacto con su autoridad nacional en materia de frecuencias para recibir información acerca del uso legal disponible en su área. Cualquier cambio o modificación no aprobada expresamente por Samson Technologies Corp. podría anular su autoridad para hacer funcionar el equipo.

Por la presente, Samson Technologies Corp., declara que CR88x, CH88 y CB88 guardan conformidad con los requisitos esenciales y otras disposiciones relevantes de la Directiva 2014/53/EU. La declaración de conformidad puede consultarse en:

http://www.samsontech.com/site_media/support/manuals/Concert88x_DOC.pdf

Introducción

Felicidades por adquirir el sistema inalámbrico Concert 88x de Samson. El Concert 88x es la solución ideal para el intérprete activo que necesita un sistema de sonido fiable y de gran calidad para aplicaciones inalámbricas. El receptor CR88x ofrece una operación UHF de frecuencia ágil y proporciona 100 canales disponibles para asegurar un rendimiento inalámbrico fiable. El receptor proporciona una fácil configuración con escaneo de 1 toque que analiza y selecciona el canal de operación más claro y la configuración de infrarrojos para emparejar el transmisor con el receptor.

El sistema Concert 88x asegura una actuación clara y sin interrupciones combinando la tecla de tono con el silencio automático. Esta configuración permite que solo el audio del transmisor pase a través del receptor y silencia la salida si hay alguna interferencia.

El Concert 88x viene en cuatro configuraciones. El sistema vocal de mano incluye el transmisor de mano CH88 y la cápsula de micrófono dinámico. El sistema de cinturón CB88 puede ser configurado con un micrófono de auriculares, un micrófono de solapa o un cable de instrumento de 1/4 in (6,3 mm). Para viajes o instalación permanente, el Concert 88x incluye un kit estándar de montaje en rack de 19 in (48,26 cm).

En estas páginas encontrarás una descripción detallada de las características del sistema inalámbrico Concert 88x, así como una visita guiada a través de su panel de control, instrucciones paso a paso para su configuración y uso, y especificaciones completas. Si su sistema inalámbrico se adquirió en los Estados Unidos, encontrará también una tarjeta de registro incluida. No olvide seguir las instrucciones, de modo que pueda recibir asistencia técnica online y para que en el futuro podamos enviarle información actualizada acerca de este y de otros productos Samson. Asegúrese también de visitar nuestro sitio web (www.samsontech.com) para obtener información completa de toda nuestra línea de productos.

Le recomendamos conservar los siguientes registros como referencia, además de una copia de su recibo de compra.

Número de serie del receptor: _____

Número de serie del transmisor: _____

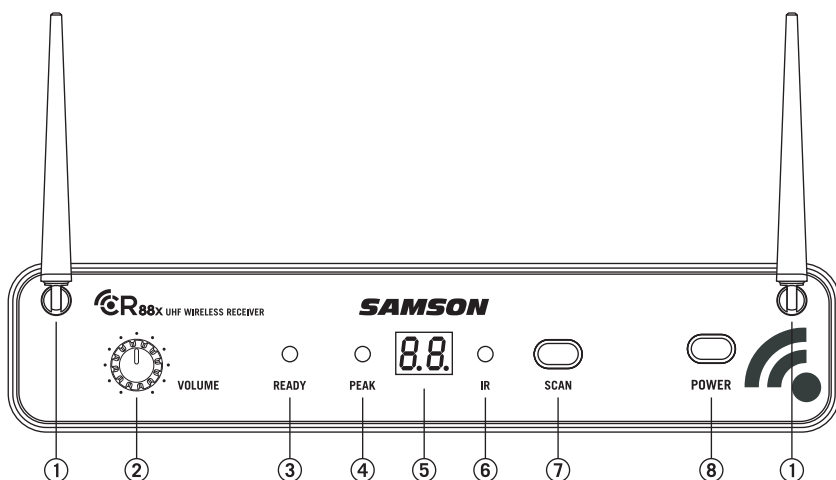
Fecha de compra: _____

Nombre del vendedor: _____

Si tiene alguna pregunta o comentario sobre el Sistema de Micrófono Concert 88x o cualquier otro producto de Samson, no dude en contactarnos en support@samsontech.com.

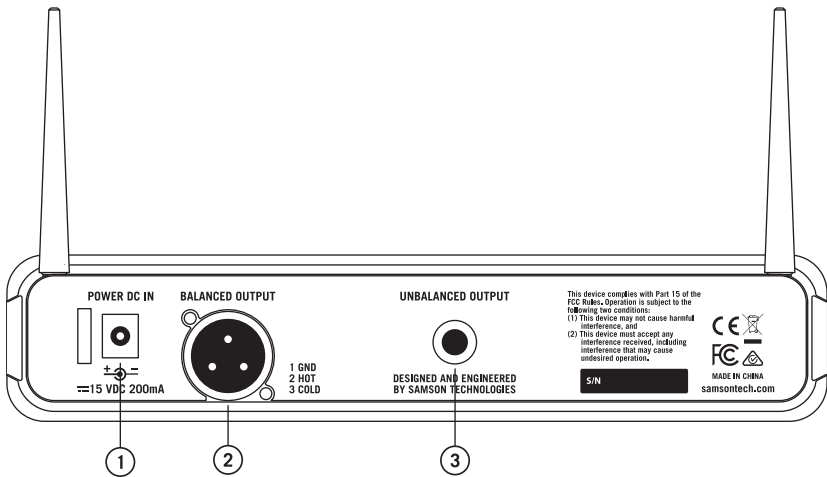
Con el cuidado y el mantenimiento adecuados, su sistema Concert 88x funcionará sin problemas durante muchos años. Si su sistema Concert 88x requiere alguna vez mantenimiento, debe obtenerse un número de autorización de devolución (RA) antes de enviar su unidad a Samson. Sin este número, su unidad no será aceptada. Por favor, visite www.samsontech.com/ra para obtener un número de RA antes de expedir su unidad. Conserve los materiales del embalaje original y, si es posible, devuelva la unidad en su caja de cartón original. Si su sistema Concert 88x fue comprado fuera de los Estados Unidos, póngase en contacto con su distribuidor local para obtener detalles de la garantía e información de servicio.

Características del receptor CR88x - Panel frontal

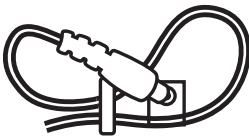


- 1. Antenas** - Los soportes de la antena permiten una rotación completa para una colocación óptima. Durante un funcionamiento normal, ambas antenas deben colocarse en posición vertical. Ambas antenas pueden plegarse hacia dentro para una mayor comodidad al transportar el CR88x.
- 2. Control VOLUME (volumen)** - Este mando ajusta el nivel de la señal de audio que se está emitiendo a través de las clavijas de salida balanceada y no balanceada del panel trasero. El nivel de referencia se obtiene cuando el mando se gira por completo hacia la derecha (a su ajuste "10").
- 3. Indicador de Listo** - Este indicador se ilumina en verde cuando el CR88x está recibiendo la señal de RF y el sistema está listo para ser usado.
- 4. Indicador PEAK**- Este indicador se ilumina en rojo cuando la señal de audio transmitida se sobrecarga.
- 5. Pantalla LED** - La pantalla LED de dos dígitos y 7 segmentos muestra el canal de operación actual del receptor.
- 6. Transmisor IR** - Durante "IR SET" (ajuste de IR), se utiliza una luz infrarroja para establecer el canal transmisor.
- 7. Botón SCAN** - Presione este botón durante **más de 2 segundos** para entrar en el modo de escaneo, la pantalla parpadeará rápidamente. El receptor escaneará los 100 canales de operación para encontrar el canal óptimo para el rendimiento. Una vez que el escaneo esté completo, el CR88x entrará en el modo de ajuste de IR y enviará el canal seleccionado al transmisor.
Presione y mantenga el botón por **más de 10 segundos** para entrar en el modo de ajuste de IR, la pantalla parpadeará lentamente. Esto enviará el canal actual seleccionado del receptor al transmisor.
- 8. Botón POWER (alimentación)** - Usa esto para encender y apagar el CR88x.

El receptor CR88x tiene un panel trasero

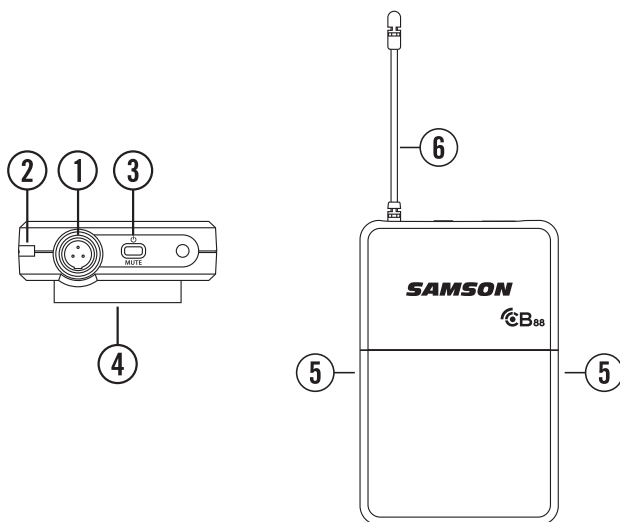


1. **Entrada de CC** - Conecte aquí el adaptador de corriente suministrado, usando el alivio de tensión como se muestra en la siguiente ilustración. ADVERTENCIA: No sustituya con ningún otro tipo de adaptador de corriente. Si lo hace puede provocar daños graves en el CR88x y se anulará la garantía.
2. **BALANCED OUTPUT (salida balanceada)** - Utilice esta clavija XLR de baja impedancia electrónicamente balanceada (600 Ohm) cuando conecte el CR88x a equipo de sonido profesional (+4dBu). El cableado del pin es el siguiente: Clavija 1 tierra, Clavija 2 alta (caliente) y Clavija 3 baja (fría).
3. **SALIDA DESEQUILIBRADA** - Utilice esta toma de alta impedancia desbalanceada (5000 ohmios) 1/4 in (6,3 mm) cuando conecte el CR88x al equipo de audio del consumidor (-10dBV). El cableado es el siguiente: punta caliente, malla tierra.



*Utilización de la liberación de tensión:
Haga un bucle con el cable y páselo por
el punto de liberación de tensión y luego
pase el enchufe del adaptador por el bucle
para crear un nudo.*

Transmisor CB88 Beltpack - Características

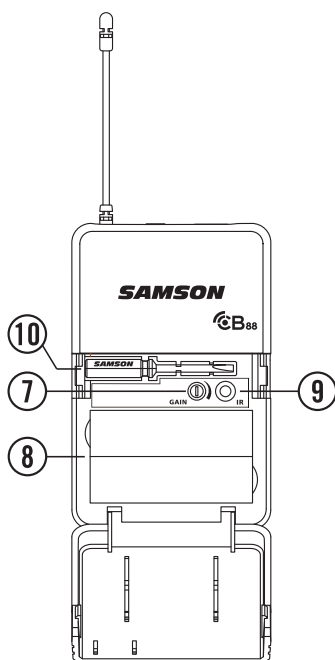


1. **Conector de entrada** - Conecte el dispositivo de entrada mediante el conector mini-XLR. El CB88 se suministra con un micrófono de solapa, un micrófono de auriculares o un cable de instrumento de 1/4 in (6,3 mm).
2. **Indicador de estado** - Este LED muestra el modo de operación:

VERDE	Funcionamiento normal
ROJO	Silenciado
VERDE parpadeante	Baja carga de la pila

3. **Interruptor Power/Mute (alimentación/silenciamiento)** - Mantenga pulsado para encender y apagar la unidad. Pulse y suelte para activar o desactivar la función de silenciamiento del transmisor.
4. **Clip de cintura** - Use este clip para sujetar el transmisor CB88 a un cinturón o una correa de guitarra.
5. **Apertura de la tapa de la pila**- Presione ambos lados y tire hacia atrás para abrir la tapa de la pila del CB88.
6. **Antena** - Esta antena de transmisión permanentemente acoplada puede extenderse completamente durante el funcionamiento normal.

Transmisor CB88 Beltpack - Características



- 7. Control GAIN (ganancia) de entrada** - Este control ajusta la sensibilidad de entrada del transmisor para que funcione con entradas de micrófono e instrumentos. Para un rendimiento óptimo, con el destornillador que se incluye, ajuste el control de ganancia de entrada donde vea que el indicador CR88x PEAK empieza a iluminarse a niveles altos, y luego baje lentamente hasta que la luz PEAK deje de iluminarse.
- 8. Soporte de la pila**- Inserte aquí dos pilas AA (LR6) estándar, asegurándose de respetar los indicadores de polaridad (+/-) que se muestran. Aunque es posible utilizar pilas recargables de níquel-cadmio, estas no suministran una corriente adecuada durante más de cuatro horas. ADVERTENCIA: No inserte las pilas al revés, hacerlo podría provocar graves daños al CB88 e invalidaría su garantía.
- 9. Lente IR** - Esta ventana se usa para capturar la señal IR enviada desde el CR88x durante el IR SET (ajuste de IR) para canalizar el transmisor.
- 10. Destornillador** - Diseñado para usar en el ajuste del control de la entrada del CB88 GAIN.

Transmisor de mano CH88 - Características

1. **Indicador de estado** - Este LED muestra el modo de funcionamiento:

VERDE	Funcionamiento normal
ROJO	Silenciado
VERDE parpadeante	Baja carga de la pila

2. **Interruptor Power/Mute (alimentación/silenciamiento)** - Mantenga pulsado para encender y apagar la unidad. Pulse y suelte para activar o desactivar la función de silenciamiento del transmisor.

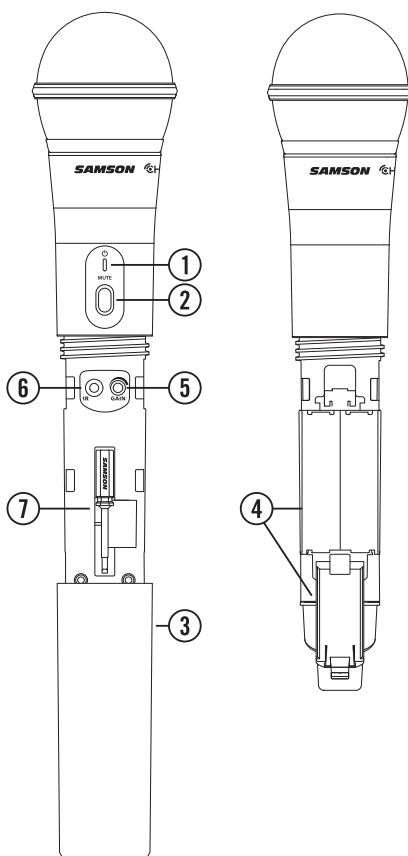
3. **Tapa de la pila** - Desatornille la tapa de la pila y deslice hacia abajo para abrir el compartimento para pilas del CH88.

4. **Soporte de la pila** - Abra el soporte de la pila pulsando la pestaña y levantando la tapa. Inserte aquí dos pilas AA (LR6) estándar, asegurándose de respetar los indicadores de polaridad (+/-) que se muestran. Aunque es posible utilizar pilas recargables de níquel-cadmio, estas no suministran una corriente adecuada durante más de cuatro horas. **ADVERTENCIA:** No inserte las pilas al revés, hacerlo podría provocar graves daños al CH88 e invalidaría su garantía.

5. **Control GAIN (ganancia) de entrada** - Este control ajusta la sensibilidad de entrada del transmisor. Para un rendimiento óptimo, con el destornillador que se incluye, ajuste el control de ganancia de entrada donde vea que el indicador CR88x PEAK empieza a iluminarse a niveles altos y luego baje hasta que la luz PEAK deje de iluminarse.

6. **Lente IR** - Esta ventana se usa para capturar la señal IR enviada desde el CR88x durante el IR SET (ajuste de IR) para canalizar el transmisor. La tapa de la pila debe estar abierta y la Lente IR debe estar orientada hacia el receptor para cargar el canal seleccionado.

7. **Destornillador** - Diseñado para usar en el ajuste del control de la entrada del CH88 GAIN.



ENGLISH

FRAANÇAIS

DEUTSCHE

ESPAÑOL

ITALIANO

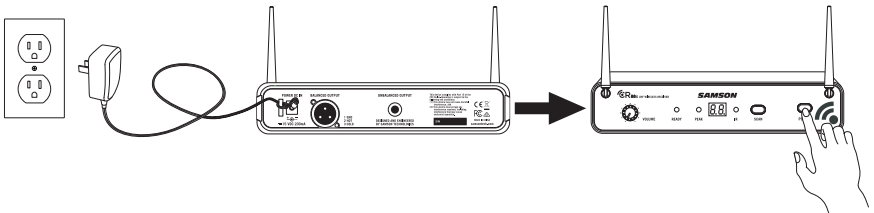
Inicio rápido - Configuración del sistema único

Para que su sistema inalámbrico funcione correctamente, tanto el receptor como el transmisor deben estar ajustados al mismo canal.

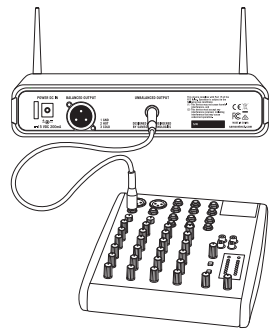
Siga este procedimiento básico para configurar y utilizar su sistema inalámbrico Concert 88x:

Coloque el CR88x físicamente donde se vaya a utilizar y extienda las antenas en vertical. La regla general es mantener una "línea visual" entre el receptor y el transmisor, de manera que la persona que use o lleve puesto el transmisor pueda ver el receptor.

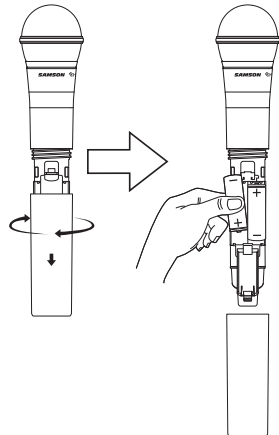
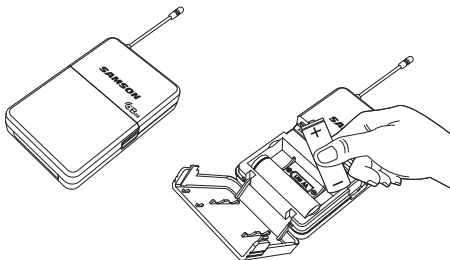
Con el CR88x apagado, conecte el adaptador de corriente. Encienda el CR88x momentáneamente para confirmar que la unidad está recibiendo potencia. Verás que la pantalla LED se ilumina. Luego apague el CR88x.



Con su amplificador o mezcladora apagados y el control del volumen bajado del todo, conecte la clavija de salida del receptor CR88x a la entrada de nivel de línea o micrófono de una mezcladora o amplificador utilizando la salida XLR balanceada o una salida de nivel de línea de 1/4 in (6,3 mm) no balanceada. Gire el mando de Nivel del CR88x completamente en dirección contraria a las agujas del reloj y enciéndalo.

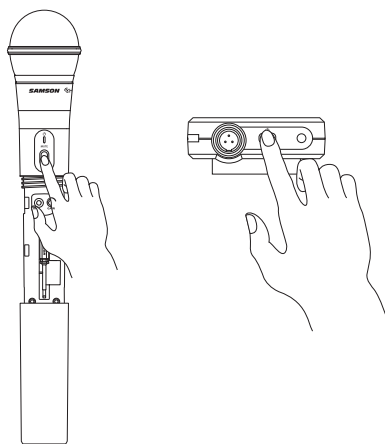


Con el transmisor apagado, instale dos pilas AA nuevas en el transmisor de cintura CB88 o el transmisor portátil CH88. Deje abierto el compartimento para pilas.

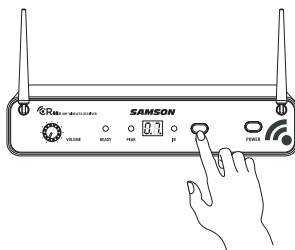


Inicio rápido - Configuración del sistema único

Encienda el transmisor manteniendo pulsado el interruptor Power (alimentación). El indicador LED se iluminará en verde.

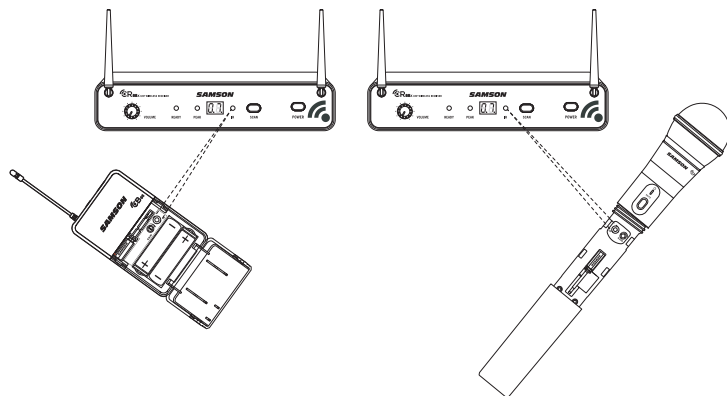


Presione el botón SCAN durante más de 2 segundos (la pantalla comenzará a parpadear rápidamente) en la parte delantera del receptor CR88x para buscar un canal disponible. Una vez seleccionado el canal óptimo, el receptor entrará en el modo de ajuste de IR. La pantalla parpadeará lentamente en el modo de ajuste IR.



Si desea configurar un transmisor en el canal actualmente seleccionado del receptor, mantenga pulsado el botón SCAN durante más de 10 segundos (hasta que la pantalla parpadee lentamente) para entrar directamente en el modo de ajuste IR.

Coloque el transmisor a una distancia aproximada de 6"-12" (15cm-30cm) de la parte frontal del CR88x con la ventana de IR del transmisor orientada hacia el transmisor de IR del panel delantero del receptor CR88x.

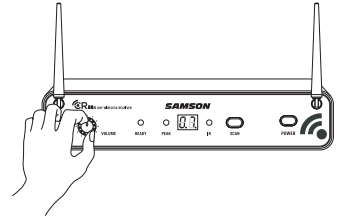


Inicio rápido - Configuración del sistema único

Cuando la transmisión se haya completado, el CR88x recibirá señales de RF y el código de tonos del transmisor. El indicador LISTO se encenderá en el panel frontal del receptor CR88x.

Encienda su amplificador o mezcladora, pero baje el volumen por completo. Ajuste la perilla de volumen del CR88x totalmente hacia la derecha (hasta el ajuste "10"). Esta es la ganancia de la unidad.

Hable o cante en el micrófono, o si está usando el transmisor con un instrumento conectado, toque el instrumento a un nivel de rendimiento normal. Vaya subiendo poco a poco el volumen de su amplificador o mezcladora hasta que se alcance el nivel deseado.



Si encuentra que el sistema muestra caídas de sonido perceptibles, un rango de funcionamiento general reducido, o inesperadas ráfagas de ruido, cambie el canal operativo del sistema siguiendo los pasos ya descritos.

Configuración de sistemas múltiples

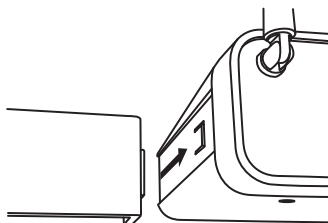
Cuando se utilicen varios sistemas, cada uno de ellos deberá configurarse en un canal de funcionamiento diferente. Los pares de transmisores y receptores deben estar en el mismo plan de canales para poder trabajar juntos.

Al colocar un transmisor adicional, asegúrese de cerrar todos los demás compartimentos de la batería del transmisor para asegurarse de que la Lente IR esté cubierta.

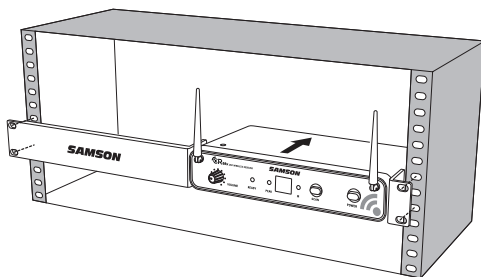
Montaje en rack

El receptor CR88x puede instalarse en un rack de 19" estándar para su transporte o instalación permanente utilizando los soportes de rack incluidos. Lleve a cabo los siguientes sencillos pasos para montar el CR88x:

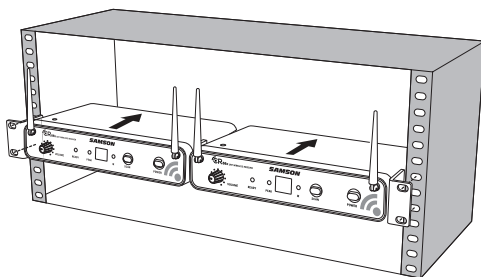
Coloque las orejas de rack incluidas deslizando cada oreja del rack en la ranura a cada lado del CR88x hasta que se fijen en su lugar y el receptor quede al ras del panel frontal.



Coloque el receptor CR88x en un espacio de rack disponible y deslícelo hasta que los soportes de rack toquen los rieles de la carcasa del rack y queden alineados con los orificios de los rieles del rack.



Monte el receptor en el rack utilizando los tornillos de rack del tamaño apropiado (no incluidos). Para asegurar la misma tensión y el mismo equilibrio al instalar el receptor, debes asegurar los tornillos en un patrón cruzado de esquinas opuestas: arriba a la izquierda -> abajo a la derecha -> arriba a la derecha -> abajo a la izquierda.



Para montar los dos receptores CR88x en un único espacio de rack, el sistema incluye una pieza de conexión central. Deslice la pieza de conexión central en la ranura de cada receptor y fije las orejas cortas del rack a cada receptor. Monte los receptores en el rack siguiendo el patrón cruzado descrito anteriormente.

Solución de problemas

Problema	Soluciones
No hay audio	Asegúrese de que tanto el transmisor como el receptor estén encendidos.
	Asegúrese de que las pilas del transmisor están instaladas correctamente.
	Compruebe que el transmisor no está silenciado.
	Confirme que el adaptador CR88x está correctamente conectado y enchufado a una toma de corriente.
	Encienda el receptor CR88x.
	Asegúrese de que las conexiones de salida de audio CR88x estén bien conectadas.
	Asegúrese de que el receptor y el transmisor están en línea visual el uno con el otro.
	Compruebe los controles del receptor y de nivel de entrada de audio al dispositivo.
	Asegúrese de que el transmisor y el receptor tienen asignado el mismo canal operativo. Si no está seguro, restablezca el canal siguiendo los pasos del "Inicio rápido".
Sonido distorsionado	El nivel de salida del receptor o el nivel de entrada de audio al dispositivo pueden que sean demasiado altos.
	Compruebe las pilas del transmisor, y sustitúyalas si su carga es demasiado baja.
	La ganancia de entrada en el transmisor (CH88 o CB88) o el nivel de la fuente de audio puede ser demasiado alto.
Caídas de sonido	El transmisor puede que esté demasiado alejado del receptor. Acérquelo al receptor, o reubique las antenas.
	Retire cualquier fuente que pueda causar interferencias de RF, como teléfonos móviles, teléfonos inalámbricos, equipo de iluminación, ordenadores, estructuras metálicas, etc.
El receptor no se enciende	Compruebe el adaptador para asegurarse de que está correctamente conectado y enchufado a una toma de corriente que suministre alimentación.
El transmisor no se enciende (el LED se enciende en rojo)	Sustituya las pilas del transmisor.
Ruido o interferencia no deseados	Si está usando múltiples sistemas, asegúrese de que ninguno de los sistemas está emitiendo en el mismo canal. Si el problema persiste, cambie uno o todos los canales de los sistemas.

Especificaciones

Sistema

Alcance de funcionamiento	300 ft (100m) de línea visual
Respuesta de frecuencia de audio	50 Hz - 15 kHz
T.H.D. (distorsión armónica total) (Global)	<1% (@AF 1 kHz, RF 46 dBu)
Rango dinámico	>100 dB promedio ponderado
Relación señal-ruido	>90 dB
Temperatura de funcionamiento	-10°C (14°F) a +60°C (+140°F)
Frecuencia de control de tonos	35 kHz

Transmisor portátil CB88

Conector de entrada	Mini-XLR (P3)
Impedancia de entrada	1M
Rango de ganancia de entrada	38
Potencia de RF	10 mW EIRP
Requisitos de alimentación	Dos pilas alcalinas AA (LR6)
Vida útil de la pila	8 horas
Dimensiones (Alt.xAnch.xProf.)	3,75" x 2,44" x 0,75" 96mm x 62mm x 18,5mm
Peso	0,2 lb / 93 g

Transmisor portátil CH88

Elemento de micrófono	Dinámico
Rango de ganancia de entrada	28
Potencia de RF	10 mW EIRP
Requisitos de alimentación	Dos pilas alcalinas AA (LR6)
Vida útil de la pila	8 horas
Dimensiones (HxØ)	10,23" x 2,1" 260mm x 54mm
Peso	0,48 lb / 218 g

Receptor CR88x

Nivel de salida de audio - No balanceada	+14 dBu
Nivel de salida de audio - Balanceada	+9 dBu
Impedancia de salida de audio - No balanceada	810 Ohmios
Impedancia de salida de audio - Balanceada	240 Ohmios
Sensibilidad	-100 dBm / 30 dB sinad
Rechazo de imagen	>50 dB
Voltaje de funcionamiento	15 V CC 200mA
Dimensiones (Alt.xAnch.xProf.)	8,25" x 4,9" x 1,75" 210mm x 125mm x 44mm
Peso	0,88 lb / 400 g

En Samson estamos continuamente mejorando nuestros productos; por lo tanto, las especificaciones e imágenes están sujetas a cambios sin previo aviso.

ENGLISH

FRANÇAIS

DEUTSCHE

ESPAÑOL

ITALIANO

Bandas de operación y rangos de frecuencia

Banda	Gama de frecuencias
K ^a	470-494 MHz
D ^a	542-566 MHz
IL [*]	794-806 MHz
B [*]	806-810 MHz
G [*]	863-865 MHz

* Uso no válido en EE.UU. y Canadá.

Operación de frecuencia europea

Nota: Este equipo está destinado a aplicaciones musicales profesionales y similares, y puede ser capaz de funcionar en algunas frecuencias no autorizadas en su región. Por favor, póngase en contacto con su autoridad nacional para obtener información sobre las frecuencias autorizadas para los productos de micrófonos inalámbricos en su región.

Banda	Gama de frecuencias	Códigos de países de la UE	Nota
K ^a	470-494 MHz	AT, BE, BG, CY, CZ, DK, EE, FI, FR, DE, GR, HU, IS, IE, IT, LV, LT, LU, MT, NL, NO, PL, PT, RO, SK, SI, ES, SE, CH, UK	
D ^{**}	542-566 MHz		
IL ^{**}	794-806 MHz		Para su uso en Israel
B ^{**}	806-810 MHz		Para su uso en Japón
G	863-865 MHz	AT, BE, BG, CY, CZ, DK, EE, FI, FR, DE, GR, HU, IS, IE, IT, LV, LT, LU, MT, NL, NO, PL, PT, RO, SK, SI, ES, SE, CH, UK	Sin licencia

** Uso no válido en la Unión Europea

^a Licencias: Tenga en cuenta que en ciertas zonas puede requerirse una licencia ministerial para operar este equipo. Consulte a su autoridad nacional para conocer los posibles requisitos. El licenciado del equipo de micrófono inalámbrico de Samson es responsabilidad del usuario, y la concesión de licencias depende de la clasificación y aplicación del usuario y de la frecuencia seleccionada.

Importanti informazioni sulla sicurezza



**ATTENTION
RISQUE D'ÉLECTROCUTION !
NE PAS OUVRIR !**

ATTENZIONE: PER RIDURRE IL RISCHIO DI SCOSSA ELETTRICA, NON RIMUOVERE LA COPERTURA (O IL RETRO). ALL'INTERNO NON SONO PRESENTI PARTI RIPARABILI DALL'UTENTE. AFFIDARE QUALSIASI RIPARAZIONE A PERSONALE QUALIFICATO.



Il simbolo del fulmine con punta a forma di freccia all'interno di un triangolo equilatero indica la presenza di "tensione pericolosa" non isolata nell'involucro del prodotto di potenza tale da costituire rischio di scossa elettrica.



Il punto esclamativo all'interno di un triangolo equilatero indica la presenza di istruzioni importanti sul funzionamento o la manutenzione dell'apparecchio nella documentazione fornita insieme al prodotto.

AVVERTENZA

PER PREVENIRE IL RISCHIO DI INCENDIO O SCOSSA ELETTRICA. NON USARE QUESTA SPINA CON UN CAVO DI PROLUNGA O PRESE DI ALTRO TIPO, A MENO CHE LE LAMENON POSSANO ESSERE INSERITE COMPLETAMENTE PER EVITARNE L'ESPOSIZIONE. PER PREVENIRE IL RISCHIO DI INCENDIO O SCOSSA ELETTRICA. NON ESPORRE L'APPARECCHIO A PIOGGIA O UMIDITÀ. PER PREVENIRE IL RISCHIO DI SCOSSA ELETTRICA, INSERIRE COMPLETAMENTE LA LAMALARGA NELLA FESSURA CORRISPONDENTE.



Se si desidera smaltire questo prodotto, non mischiarlo con i rifiuti domestici generici. Esiste un sistema di raccolta differenziata per i prodotti elettronici usati in conformità alla legislazione che richiede un trattamento, un recupero e un riciclaggio adeguati.

I nuclei familiari dei 28 Stati membri dell'UE, della Svizzera e della Norvegia possono restituire gratuitamente i loro prodotti elettronici usati a centri di raccolta designati o a un rivenditore (in caso di acquisto di uno nuovo simile).

Per i Paesi non menzionati sopra, contattare le autorità locali per sapere quale sia il corretto metodo di smaltimento.

In questo modo, si garantisce che il prodotto smaltito venga sottoposto al necessario trattamento, recupero e riciclaggio, evitando così potenziali effetti negativi sull'ambiente e sulla salute umana.

Importanti informazioni sulla sicurezza

1. Leggere queste istruzioni.
2. Conservare queste istruzioni.
3. Rispettare tutti gli avvertimenti.
4. Seguire tutte le istruzioni.
5. Non utilizzare l'apparecchio vicino all'acqua.
6. Pulire solo con un panno asciutto.
7. Non bloccare le aperture di ventilazione. Installare secondo le istruzioni del produttore.
8. Non installare vicino a fonti di calore come radiatori, diffusori di aria calda, stufe o altri apparecchi (compresi amplificatori) che producono calore.
9. Non annullare lo scopo di sicurezza della spina polarizzata o con messa a terra. Una spina polarizzata ha due lame, una delle quali è più larga dell'altra. Una spina con messa a terra ha due lame e un terzo polo di messa a terra. La lama larga o il terzo polo sono forniti per la sicurezza dell'utente. Se la spina in dotazione non si adatta alla presa, consultare un elettricista per sostituire la presa obsoleta.
10. Proteggere il cavo di alimentazione in modo che non sia calpestato o schiacciato, in particolare in corrispondenza delle spine, delle prese e nel punto di uscita dall'apparecchio.
11. Utilizzare solo accessori specificati dal produttore.
12. Utilizzare solo con il carrello, il supporto, il treppiede, la staffa o il tavolo specificati dal produttore, o venduti con l'apparecchio. Quando si utilizza un carrello, prestare attenzione quando si sposta la combinazione carrello/apparecchio per evitare lesioni da ribaltamento.
13. Scollegare l'apparecchio durante i temporali o quando non viene utilizzato per lunghi periodi di tempo.
14. Per tutti gli interventi di manutenzione, rivolgersi a personale qualificato. L'assistenza è necessaria quando l'apparecchio è stato danneggiato in qualsiasi modo, ad esempio se il cavo di alimentazione o la spina sono stati danneggiati, se è stato versato del liquido o sono caduti oggetti all'interno dell'apparecchio, se è stato esposto a pioggia o umidità, se non funziona normalmente o se è caduto.
15. L'apparecchio non deve essere esposto a gocce o schizzi d'acqua né bisogna appoggiarvi sopra oggetti pieni di liquido, come vasi.
16. Attenzione: onde prevenire le scosse elettriche, inserire completamente la lama larga nella fessura corrispondente.
17. Mantenere un buon ambiente di ventilazione intorno all'intera unità.
18. L'adattatore a innesto diretto viene utilizzato come dispositivo di disinserimento, il quale deve rimanere facilmente utilizzabile.
19. Le batterie (pacco batterie o batterie installate) non devono essere esposte a calore eccessivo come luce solare, fuoco o simili.



Importanti informazioni sulla sicurezza

Norme e regolamenti FCC

I ricevitori wireless Samson sono certificati secondo le norme FCC parte 15 e i trasmettitori sono certificati secondo le norme FCC parte 74. La concessione di licenze delle apparecchiature Samson è responsabilità dell'utente e dipende dalla classificazione dell'utente, dall'applicazione e dalla frequenza selezionata.

Questo dispositivo è conforme alla Parte 15 delle norme FCC Classe B e RSS-210 di Industry & Science Canada.

Il funzionamento è soggetto alle due condizioni seguenti:

- (1) Questo dispositivo non deve causare interferenze dannose, e
- (2) Questo dispositivo deve accettare qualsiasi interferenza ricevuta, comprese quelle in grado di causare un funzionamento indesiderato. Adatto per uso domestico o in ufficio.

NOTA: questo apparecchio è stato testato e trovato conforme ai limiti per un dispositivo digitale di Classe B, in conformità alla Parte 15 delle norme FCC. Questi limiti sono progettati per fornire una ragionevole protezione contro le interferenze dannose in un'installazione residenziale. Questo apparecchio genera, utilizza e può irradiare energia a radiofrequenza e, se non viene installato e utilizzato secondo le istruzioni, può causare interferenze dannose alle comunicazioni radio. Tuttavia, non vi è alcuna garanzia che non si verifichino interferenze in una installazione specifica. Se questo apparecchio causa interferenze dannose alla ricezione radio o televisiva, che possono essere determinate spegnendo e riaccendendo l'apparecchio, l'utente è incoraggiato a tentare di correggere l'interferenza mediante una o più delle seguenti misure:

- Riorientare o riposizionare l'antenna ricevente.
- Aumentare la distanza tra l'apparecchio e il ricevitore.
- Collegare l'apparecchio a una presa su un circuito diverso da quello a cui è collegato il ricevitore.
- Consultare il rivenditore o un tecnico radiotelevisivo esperto per ricevere assistenza.

AVVERTENZA: Cambiamenti o modifiche non esplicitamente approvati dalla parte responsabile della conformità possono invalidare il diritto dell'utente a utilizzare l'apparecchio.

Questo apparecchio è destinato all'uso in applicazioni microfoniche wireless.

L'apparecchio è destinato alla vendita in: AT, BE, CH, CY, CZ*, DK, EE, FI*, FR*, DE*, GR*, HU, IE, IS, IT, LV, LT*, LU, MT*, NL, NO*, PL* PT, RO, SK, SI, ES, SE, UK

*Soggetto a licenza. Per informazioni sull'uso legale disponibile nella propria zona, contattare la propria autorità nazionale di frequenza. Qualsiasi cambiamento o modifica non esplicitamente approvati da Samson Technologies Corp. potrebbe invalidare l'autorità dell'utente all'utilizzo dell'apparecchiatura.

Con la presente, Samson Technologies Corp. dichiara che i prodotti CR88x, CH88 e CB88 sono conformi ai requisiti essenziali e altre disposizioni rilevanti della direttiva 2014/53/UE. La dichiarazione di conformità può essere consultata all'indirizzo http://www.samsontech.com/site_media/support/manuals/Concert88x_DOC.pdf

Introduzione

Grazie per aver acquistato il sistema wireless Concert 88x di Samson. Il Concert 88x è la soluzione ideale per il performer attivo cui serve un sistema affidabile e di suono eccezionale per applicazioni wireless. Grazie al funzionamento UHF agile in frequenza, il Cr88x fornisce 100 canali disponibili per garantire prestazioni wireless affidabili. Il ricevitore offre una facile configurazione con scansione 1-touch che analizza e seleziona il canale operativo più chiaro e il set a infrarossi per accoppiare il trasmettitore con il ricevitore.

Il sistema Concert 88x assicura prestazioni chiare e senza interruzioni combinando la tonalità con l'auto-silenziamento. Questa configurazione consente la trasmissione attraverso il ricevitore solo dell'audio proveniente dal trasmettitore e silenzia l'uscita in presenza di eventuali interferenze.

Il Concert 88x è previsto in quattro configurazioni. Il sistema portatile vocale comprende il trasmettitore portatile CH88 e la capsula microfonica dinamica. Il sistema beltpack CB88 può essere configurato con un microfono per cuffie, un microfono lavalier o un cavo per strumenti da 1/4". Per il viaggio o l'installazione permanente, il Concert 88x include un kit di montaggio a rack standard da 19".

In queste pagine, troverete una descrizione dettagliata delle caratteristiche del Sistema wireless Concert 88x, nonché un tour guidato attraverso il suo pannello di controllo, le istruzioni passo-passo per la sua configurazione e il suo utilizzo, nonché le specifiche complete. Se il sistema wireless è stato acquistato negli Stati Uniti, sarà corredato anche da una scheda di registrazione allegata - non dimenticare di seguire le istruzioni per ricevere assistenza tecnica online e poter ricevere informazioni aggiornate su questo e altri prodotti Samson in futuro. Inoltre, per informazioni complete sulla nostra linea di prodotti, è possibile visitare il sito web www.samsontech.com.

Si raccomanda di conservare i seguenti dati come riferimento, oltre a una copia della ricevuta di acquisto.

Numero di serie del ricevitore: _____

Numero di serie del trasmettitore: _____

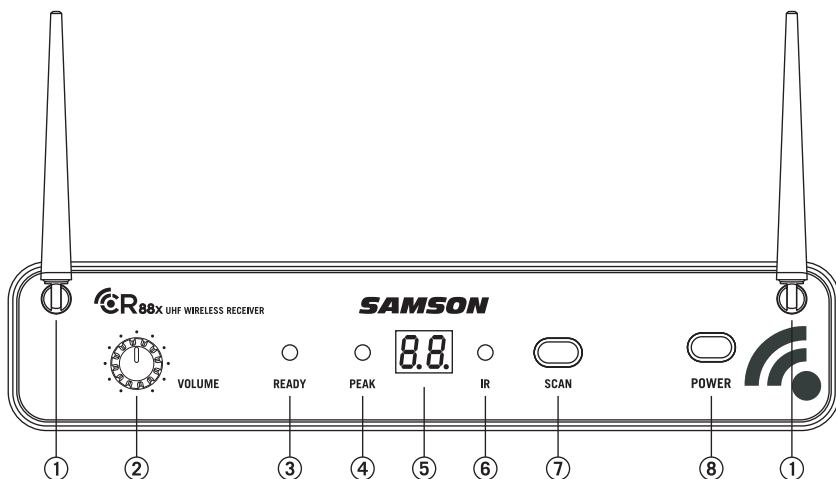
Data di acquisto: _____

Nome del rivenditore: _____

In caso di domande o commenti sul sistema microfonico Concert 88x o su qualsiasi altro prodotto Samson, contattarci all'indirizzo support@samsontech.com.

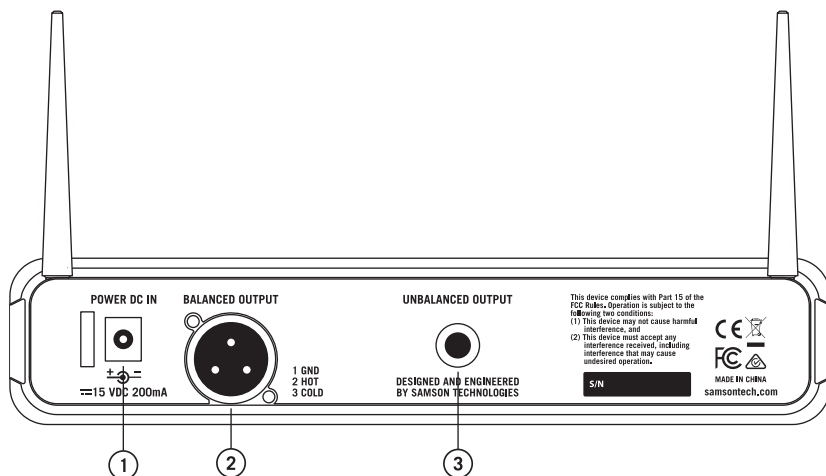
Con la cura e la manutenzione adeguate, il sistema Concert 88x funzionerà senza problemi per molti anni. Se il sistema Concert 88x dovesse mai necessitare di manutenzione, prima di spedire l'unità a Samson, sarà necessario ottenere un numero di autorizzazione alla restituzione (RA).. Senza questo numero, l'unità non sarà accettata. Prima della spedizione dell'unità, visitare il sito www.samsontech.com/ra per avere un numero RA. Conservare i materiali di imballaggio originali e, se possibile, restituire l'unità nella confezione originale. Se il sistema Concert 88x è stato acquistato al di fuori degli Stati Uniti, contattare il distributore locale per i dettagli sulla garanzia e le informazioni sull'assistenza.

Caratteristiche del pannello anteriore del ricevitore CR88x

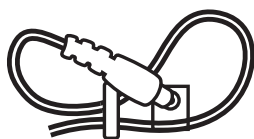


- 1. Antenne** - I supporti dell'antenna consentono una rotazione completa per un posizionamento ottimale. Durante il normale funzionamento, entrambe le antenne devono essere posizionate verticalmente. Entrambe le antenne possono essere ripiegate verso l'interno per comodità durante il trasporto dell'CR88x.
- 2. Controllo VOLUME** - Questa manopola imposta il livello del segnale audio in uscita attraverso entrambi i jack d'uscita bilanciati e sbilanciati sul pannello posteriore. Il livello di riferimento si ottiene ruotando completamente la manopola in senso orario (alla sua impostazione "10").
- 3. Indicatore READY** - Questo indicatore si illumina in verde quando l'CR88x riceve il segnale RF e il sistema è pronto all'uso.
- 4. Indicatore PEAK** - Questo indicatore si illumina di rosso quando il segnale audio trasmesso è sovraccarico.
- 5. Display a LED** - Il display a LED a due cifre a 7 segmenti mostra il canale operativo attuale del ricevitore.
- 6. Trasmettitore IR** - Durante "IR SET", viene utilizzata una luce infrarossa per impostare il canale del trasmettitore.
- 7. Pulsante SCAN** - Premere questo pulsante per **più di 2 secondi** per entrare nella modalità di scansione, il display lampeggia rapidamente. Il ricevitore eseguirà una scansione attraverso i 100 canali operativi per trovare il canale ottimale per le prestazioni. Una volta completata la scansione, l'CR88x entrerà in modalità IR Set e invierà il canale selezionato al trasmettitore.
Tenere premuto il pulsante per **più di 10 secondi** per entrare nella modalità di impostazione IR set, il display lampeggia lentamente. In questo modo si invia al trasmettitore il canale correntemente selezionato dal ricevitore.
- 8. Pulsante POWER** - Usarlo per accendere e spegnere il CR88x.

Caratteristiche del pannello posteriore del ricevitore CR88x

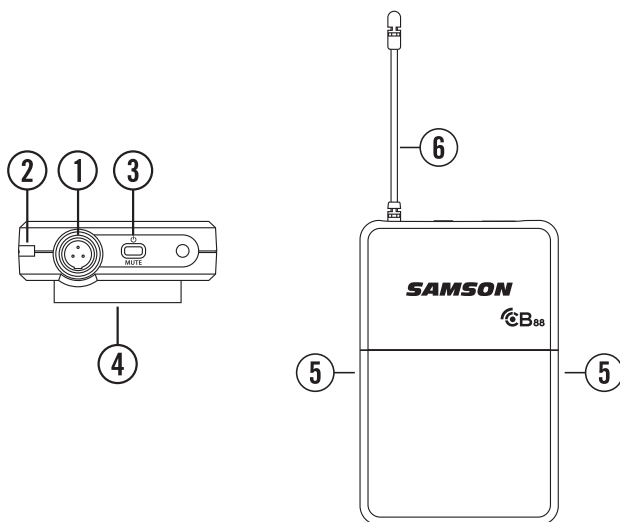


- 1. Ingresso CC** - Collegare qui l'adattatore di alimentazione in dotazione, utilizzando il serracavo come mostrato nella figura seguente. **AVVERTENZA:** Non sostituire nessun altro tipo di adattatore di alimentazione. Ciò può causare gravi danni al CR88x e invaliderà la garanzia.
- 2. USCITA BILANCIATA** - Utilizzare questo jack XLR a bassa impedenza bilanciato elettronicamente (600 Ohm) quando si collega il CR88x all'apparecchiatura audio professionale (+4dBu). Il cablaggio dei pin è il seguente: Pin 1 massa, Pin 2 polarità normale (caldo), e Pin 3 polarità inversa (freddo).
- 3. USCITA NON BILANCIATA** - Utilizzare questo jack ad alta impedenza non bilanciato (5 K Ohm) 1/4" quando si collega il CR88x all'apparecchiatura audio dell'utente (-10 dBV). Il cablaggio è il seguente: tip hot, messa a terra del manicotto.



Utilizzo del serracavo: Fare un anello con il filo e farlo passare attraverso il serracavo quindi passare la spina dell'adattatore attraverso l'anello in modo da creare un nodo.

Caratteristiche del trasmettitore beltpack CB88

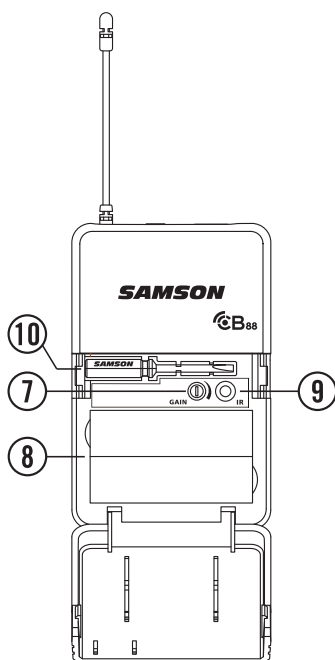


1. **Connettore di ingresso** - Collegare il dispositivo di ingresso tramite il connettore mini-XLR. Il CB88 viene fornito con un microfono lavalier e a cuffia o cavo per strumenti da 1/4".
2. **Spia di stato** - Questa spia indica la modalità di funzionamento:

VERDE	Funzionamento normale
ROSSO	Silenziato
VERDE lampeggiante	Batteria quasi scarica

3. **Interruttore Power/Mute** - Premere e tenere premuto per accendere o spegnere l'unità. Premere e rilasciare per silenziare o riattivare l'audio del trasmettitore.
4. **Clip per cintura** - Usare questa clip per fissare il trasmettitore CB88 a una cintura o una tracolla da chitarra.
5. **Rilascio del coperchio della batteria** - Inserire entrambi i lati e tirare indietro per aprire il coperchio della batteria del CB88.
6. **Antenna** - Durante il normale funzionamento, questa antenna del trasmettitore permanentemente collegata deve essere completamente estesa.

Caratteristiche del trasmettitore beltpack CB88



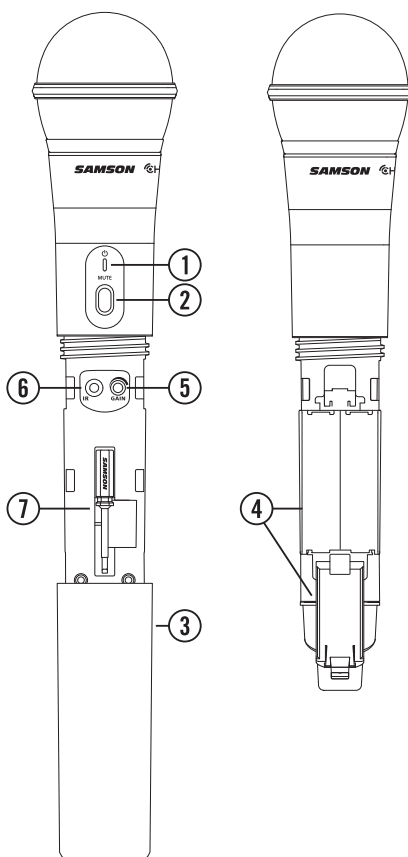
- 7. Controllo GAIN in ingresso** – Questo controllo regola la sensibilità di ingresso del trasmettitore per interfacciarsi con l'ingresso di microfoni e strumenti. Per ottenere prestazioni ottimali, utilizzando il cacciavite in dotazione, impostare il controllo GAIN di ingresso su dove si vede l'indicatore PEAK CR88x iniziare a illuminarsi a livelli elevati, quindi abbassare lentamente fino a quando la luce PEAK smette di illuminarsi.
- 8. Vano batterie** – Inserire due batterie AA (LR6) standard, prestando attenzione ai simboli di polarità +/- indicati. Sebbene sia possibile utilizzare batterie ricaricabili al Ni-Cad, queste non forniscono corrente sufficiente per più di quattro ore. **AVVERTENZA:** Non inserire le batterie al contrario; ciò può causare gravi danni al CB88 e annullare la garanzia.
- 9. Lente IR** – Questa apertura serve a catturare il segnale a infrarossi inviato dal CR88x durante la configurazione IR per canalizzare il trasmettitore.
- 10. Cacciavite** - Progettato per l'uso nella regolazione del controllo CB88 input GAIN.

Caratteristiche del trasmettitore portatile CH88

1. **Spia di stato** - Questo LED indica la modalità di funzionamento:

VERDE	Funzionamento normale
ROSSO	Silenziato
VERDE lampeggiante	Batteria quasi scarica

2. **Interruttore Power/Mute** - Premere e tenere premuto per accendere o spegnere l'unità. Premere e rilasciare per silenziare o riattivare l'audio del trasmettitore.
3. **Coperchio batterie** - Svitare il coperchio e farlo scorrere verso il basso per aprire il vano batterie del CH88.
4. **Vano batterie** - Aprire il vano batterie premendo la linguetta e sollevando il coperchio. Inserire qui due batterie standard AA (LR6), avendo cura di osservare i segni di polarità più e meno indicati. Sebbene sia possibile utilizzare batterie ricaricabili al Ni-Cad, queste non forniscono corrente sufficiente per più di quattro ore. **AVVERTENZA:** Non inserire le batterie al contrario; ciò può causare gravi danni al CH88 e annullare la garanzia.
5. **Controllo GAIN in ingresso** - Questo controllo regola la sensibilità di ingresso del trasmettitore. Per ottenere prestazioni ottimali, utilizzando il cacciavite in dotazione, impostare il controllo GAIN di ingresso su dove si vede l'indicatore PEAK CR88x iniziare a illuminarsi a livelli elevati, quindi abbassare fino a quando la luce PEAK smette di illuminarsi.
6. **Lente IR** - Questa apertura serve a catturare il segnale a infrarossi inviato dal CR88x durante la configurazione IR per canalizzare il trasmettitore. Il coperchio della batteria deve essere aperto e l'obiettivo IR rivolto verso il ricevitore per caricare il canale selezionato.
7. **Cacciavite** - Progettato per l'uso nella regolazione del controllo CH88 input GAIN.



ENGLISH

FRANÇAIS

DEUTSCHE

ESPAÑOL

ITALIANO

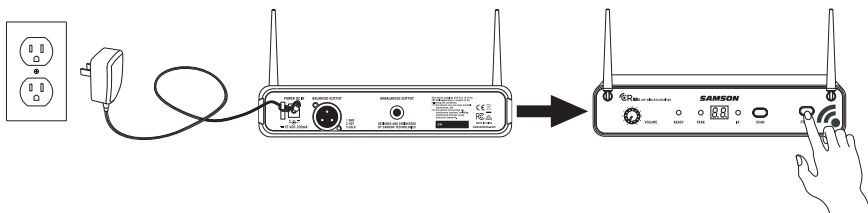
Avvio rapido - Configurazione di un unico sistema

Affinché il sistema wireless funzioni correttamente, il ricevitore e il trasmettitore devono essere impostati sullo stesso canale.

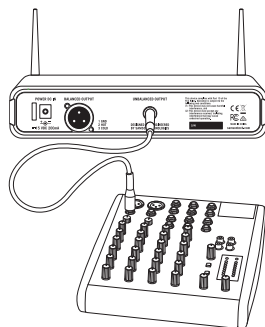
Seguire la procedura di base descritta di seguito per configurare e usare il sistema wireless Concert 88x.

Posizionare fisicamente il ricevitore CR88x nella collocazione in cui verrà utilizzato ed estendere le antenne in verticale. La regola empirica generale è quella di mantenere la "linea visiva" tra il ricevitore e il trasmettitore in modo che la persona che usa o indossa il trasmettitore possa vedere il ricevitore.

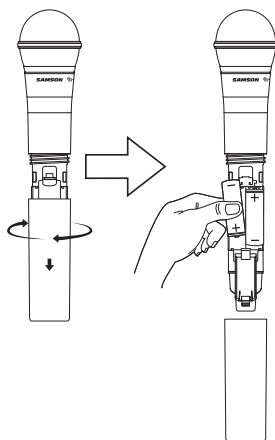
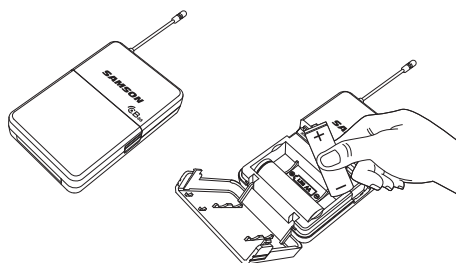
Con il CR88x spento, collegare l'adattatore di alimentazione incluso. Accendere momentaneamente il CR88x per assicurarsi che l'unità sia alimentata. Il display a LED si accenderà. Quindi spegnere il CR88x.



Con l'amplificatore o il mixer spento e il controllo del volume completamente abbassato, collegare il jack di uscita del ricevitore CR88x all'ingresso microfonico oppure all'ingresso del livello di linea di un mixer o amplificatore utilizzando l'uscita XLR bilanciata o l'uscita di livello di linea non bilanciata da 1/4". Ruotare la manopola del livello sul CR88x in senso antiorario completamente, quindi accenderne l'alimentazione.

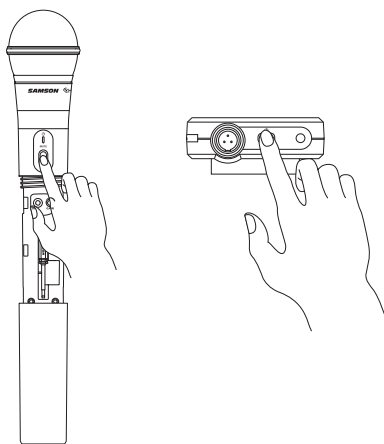


Con il trasmettitore spento, installare due batterie AA nuove nel trasmettitore beltack CB88 o nel trasmettitore portatile CH88. Lasciare aperto il vano batteria.

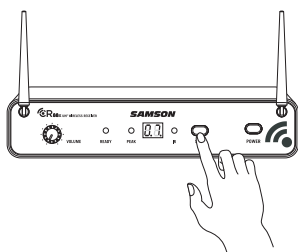


Avvio rapido - Configurazione di un unico sistema

Accendere il trasmettitore tenendo premuto il pulsante di accensione. La spia LED diventerà verde.

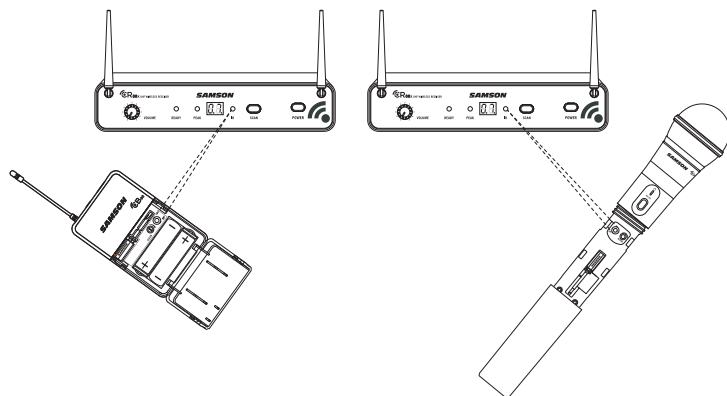


Premere il pulsante SCAN per più di 2 secondi (il display inizia a lampeggiare rapidamente) sulla parte anteriore del ricevitore CR88x per cercare un canale disponibile. Una volta selezionato il canale ottimale, il ricevitore entra in modalità IR Set. Il display lampeggia lentamente in modalità IR Set.



Se si desidera impostare un trasmettitore sul canale attualmente selezionato dal ricevitore, tenere premuto il pulsante SCAN per più di 10 secondi (fino a quando il display lampeggia lentamente) per entrare direttamente nella modalità IR Set.

Posizionare il trasmettitore a circa 15-30 cm (6-12") dalla parte anteriore del CR88x con l'apertura IR del trasmettitore rivolta verso il trasmettitore IR situato sul pannello anteriore del ricevitore CR88x.

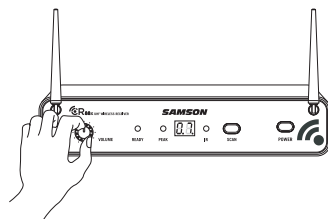


Avvio rapido - Configurazione di un unico sistema

Quando la trasmissione è completa, il CR88x riceverà il segnale RF e il tasto tone dal trasmettitore. Si accenderà la spia READY sul pannello anteriore del ricevitore CR88x.

Accendere l'amplificatore o il mixer collegato, ma abbassare completamente il volume. Ruotare completamente la manopola del volume sul CR88x in senso orario (alla sua impostazione "10"). Questo è il guadagno unitario.

Parlare o cantare nel microfono, o se si utilizza il trasmettitore con uno strumento collegato, suonare lo strumento a livello di prestazioni normali. Aumentare lentamente il volume dell'amplificatore o del mixer fino a raggiungere il livello desiderato.



Se il sistema presenta cali significativi di qualità, una ridotta portata complessiva o rumori improvvisi, modificare il canale operativo del sistema usando la procedura descritta in precedenza.

Configurazione di più sistemi

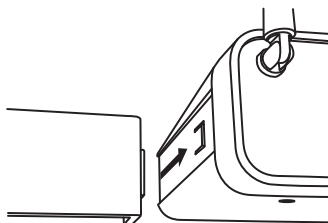
Quando si utilizzano più sistemi, ogni sistema deve essere impostato su un canale operativo diverso. Le coppie di trasmettitori e ricevitori devono essere sullo stesso piano di canali per poter funzionare insieme.

Quando si imposta un trasmettitore aggiuntivo, accertarsi di chiudere tutti gli altri vani batteria del trasmettitore per assicurarsi che la lente IR sia coperta.

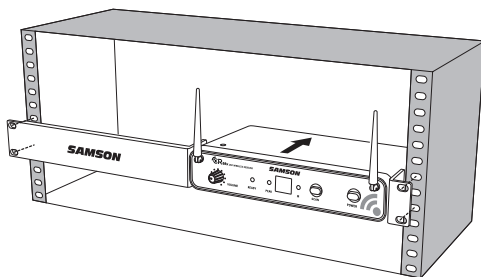
Montaggio del Rack

Il ricevitore CR88x può essere installato in un rack standard da 19" per il trasporto o l'installazione permanente utilizzando le alette incluse. Per montare il CR88x procedere come segue:

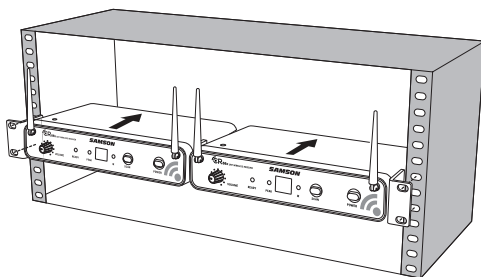
Fissare le alette del rack incluse facendo scorrere ognuna di esse nella scanalatura posta su entrambi i lati del CR88x fino a quando non si bloccano in posizione, e il ricevitore è a filo con il pannello anteriore.



Posizionare il ricevitore CR88x nel rack in uno spazio disponibile e far scorrere fino a quando le alette non toccano i binari della struttura del rack e sono allineate con i fori del binario del rack.



Montare il ricevitore nel rack utilizzando viti di dimensioni appropriate (non incluse). Per garantire una tensione e un bilanciamento uniformi durante l'installazione del ricevitore, è necessario fissare le viti in uno schema incrociato serrando gli angoli opposti: in alto a sinistra -> in basso a destra -> in alto a destra -> in basso a sinistra.



Al fine di montare due ricevitori CR88x in un unico spazio del rack, il sistema include un elemento di connessione centrale. Far scorrere il raccordo centrale nella scanalatura di ciascun ricevitore e fissare le alette corte del rack a ciascun ricevitore. Montare i ricevitori nel rack utilizzando lo schema di avvitamento incrociato descritto precedentemente.

Risoluzione dei problemi

Problema	Soluzioni
Nessun audio	Assicurarsi che il trasmettitore e il ricevitore siano entrambi accesi.
	Assicurarsi che le batterie del trasmettitore siano installate correttamente.
	Controllare che il trasmettitore non sia silenziato.
	Verificare che l'adattatore CR88x sia collegato correttamente e collegato a una presa elettrica.
	Accendere il ricevitore CR88x.
	Assicurarsi che i collegamenti di uscita audio CR88x siano collegati saldamente.
	Assicurarsi che il ricevitore e il trasmettitore siano in linea di vista l'uno con l'altro.
	Controllare i controlli di livello del ricevitore e dei dispositivi di ingresso audio.
	Assicurarsi che trasmettitore e ricevitore siano impostati sullo stesso canale operativo. In caso di dubbi, reimpostare il canale attenendosi ai passaggi di "Avvio rapido".
Audio distorto	Il livello di uscita del ricevitore o del dispositivo di ingresso audio potrebbe essere troppo alto.
	Controllare le batterie del trasmettitore e sostituirle se sono scariche.
	Il guadagno d'ingresso del trasmettitore (CH88 oppure CB88) o il livello della sorgente audio potrebbe essere troppo alto.
Calo intermittente dell'audio	Il trasmettitore potrebbe essere troppo lontano dal ricevitore. Avvicinarlo al ricevitore o riposizionare le antenne.
	Rimuovere tutte le sorgenti che possono causare interferenze RF come telefoni cellulari, telefoni cordless, apparecchiature di illuminazione, computer, strutture metalliche, ecc.
Il ricevitore non si accende	Controllare che l'adattatore sia collegato correttamente e inserito in una presa di corrente.
Il trasmettitore non si accende (Luci LED di colore ROSSO)	Sostituire le batterie del trasmettitore.
Rumore o interferenze indesiderati	Se si utilizzano più sistemi, assicurarsi che nessuno di essi funzioni sullo stesso canale. Se il problema persiste, cambiare uno o tutti i canali del sistema.

Specifiche

Sistema

Portata operativa	linea visiva 300' (100 m)
Risposta in frequenza audio	50 Hz - 15 kHz
T.H.D. (Complessivo)	<1% (a AF 1 kHz, RF 46 dBu)
Gamma dinamica	>100 dB ponderata A
Segnale - rumore	>90 dB
Temperatura di esercizio	da -10°C (14°F) a +60°C (+140°F)
Frequenza di tono tasti	35 kHz

Trasmettitore beltpack CB88

Connettore di ingresso	Mini-XLR (P3)
Impedenza di ingresso	1M Ω
Guadagno d'ingresso	38 dB
Potenza in RF	10 mW EIRP
Requisiti di alimentazione	Due batterie alcaline AA (LR6)
Durata batteria	8 ore
Dimensioni (H x L x P)	96 mm x 62 mm x 18,5 mm 3,75" x 2,44" x 0,75"
Peso	93 g / 0.2 lb

Trasmettitore Handheld CH88

Elemento microfono	Dinamico
Guadagno d'ingresso	28 dB
Potenza in RF	10 mW EIRP
Requisiti di alimentazione	Due batterie alcaline AA (LR6)
Durata batteria	8 ore
Dimensioni (Hx \emptyset)	260 mm x 54 mm 10,23" x 2,1"
Peso	218 g / 0.48 lb

Ricevitore CR88x

Livello di Uscita Audio - Sbilanciato	+14 dBu
Livello di Uscita Audio - Bilanciato	+9 dBu
Impedenza di Uscita Audio - Sbilanciata	810 Ohm
Impedenza di Uscita Audio - Bilanciata	240 Ohm
Sensibilità	-100 dBm / 30 dB sinad
Reiezione di immagine	>50 dB
Tensione di funzionamento	15 Vcc 200 mA
Dimensioni (LxPxH)	8,25" x 4,9" x 1,75" 210 mm x 125 mm x 44 mm
Peso	400 g / 0.88 lb

Samson migliora continuamente i propri prodotti, pertanto le specifiche e le immagini sono soggette a modifiche senza preavviso.

Bande operative e intervalli di frequenza

Banda	Intervallo di frequenza
K ^a	470-494 MHz
D ^a	542-566 MHz
IL [*]	794-806 MHz
B [*]	806-810 MHz
G [*]	863-865 MHz

* Non destinato all'uso negli Stati Uniti e in Canada.

Funzionamento a frequenza europea

Nota: Questo apparecchio è destinato ad applicazioni musicali professionali e di tipo simile e può essere in grado di funzionare su alcune frequenze non autorizzate nella propria area geografica. Contattare la propria autorità nazionale per ottenere informazioni sulle frequenze autorizzate per i prodotti microfonici wireless nella propria area geografica.

Banda	Intervallo di frequenza	Codici di Paese dell'Unione Europea	Nota
K ^a	470-494 MHz	AT, BE, BG, CY, CZ, DK, EE, FI, FR, DE, GR, HU, IS, IE, IT, LV, LT, LU, MT, NL, NO, PL, PT, RO, SK, SI, ES, SE, CH, UK	
D ^{**}	542-566 MHz		
IL ^{**}	794-806 MHz		Per l'uso in Israele
B ^{**}	806-810 MHz		Per l'uso in Giappone
G	863-865 MHz	AT, BE, BG, CY, CZ, DK, EE, FI, FR, DE, GR, HU, IS, IE, IT, LV, LT, LU, MT, NL, NO, PL, PT, RO, SK, SI, ES, SE, CH, UK	Senza licenza

* Non destinato all'uso in Europa.

^a Concessione di licenze: Tener presente che in determinate zone potrebbe occorrere una licenza ministeriale per utilizzare questo apparecchio. Consultare le autorità nazionali per gli eventuali requisiti. La concessione di licenze degli apparecchi microfonici wireless Samson è responsabilità dell'utente e la concessione delle licenze dipende dalla classificazione e dall'applicazione dell'utente, nonché dalla frequenza selezionata.

**Having Trouble with your Concert Wireless System?
We can help!**



**CONTACT OUR SUPPORT TEAM: support@samsontech.com
Our experts can help you resolve any issues.**

Follow us:



@samson



@samsontech



@samson_technologies

Samson Technologies
278-B Duffy Ave
Hicksville, NY 11801
Phone: 1-800-3-SAMSON
www.samsontech.com