

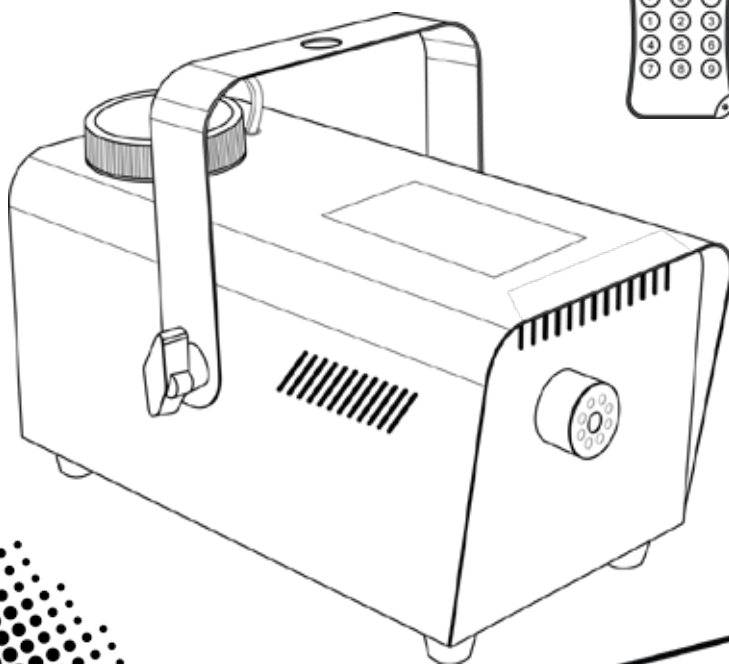
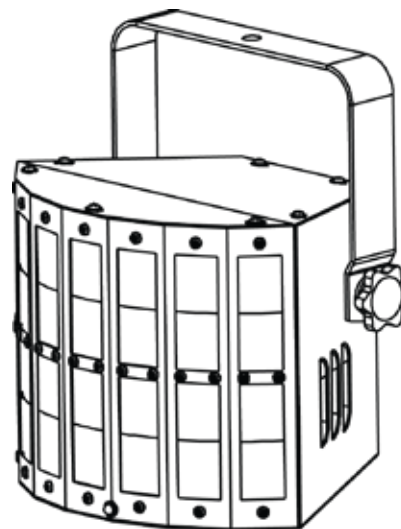
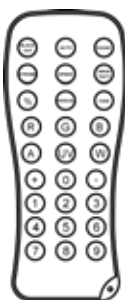
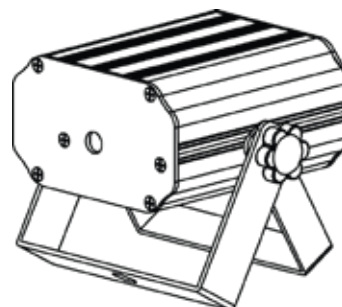


PACK™ GOLD

User Manual



LASER LIGHT
AVOID DIRECT EYE EXPOSURE
CLASS 3R LASER PRODUCT
CLASSIFIED PER EN/IEC 60825-1:2007
Complies with FDA performance standards
for laser products except for deviations
pursuant to Laser Notice No. 50, dated June
24, 2007.



CHAUVET®

TABLE OF CONTENTS

1. Before You Begin	7
What Is Included.....	7
Description.....	7
Unpacking Instructions	7
Claims	7
Manual Conventions.....	7
Symbols.....	7
Safety Notes	8
Non-Interlocked Housing Warning	9
Laser Safety Notes	9
Disclaimer.....	10
Laser Safety Label Reproduction	11
Laser Exposure Warning.....	12
Laser Emission Data	12
Laser Compliance Statement.....	12
2. Introduction	13
Overview.....	13
Overview.....	14
Dimensions.....	15
Dimensions (Cont.).....	16
3. Setup	17
Fog Machine AC Power	17
External AC Power Supplies	17
Mounting.....	18
Orientation.....	18
Installation (Rigging)	18
Mounting Diagram	18
Proper Usage	19
4. Operation	19
Fog Machine Wired Remote.....	19
UV Strobe Control Panel Operation	19
UV Strobe Combo	19
Strobe Modes	19
Laser Control Switch Operation	19
IRC-6 Remote (Infrared Remote Control)	20
5. Technical Information	21
General Product Maintenance.....	21
Fog Machine Maintenance	21
6. General Fogger Troubleshooting	22
7. Technical Specifications	23
Returns	25
Contact Us	26
1. Antes de empezar	27
Qué va incluido.....	27
Descripción	27
Instrucciones de desembalaje.....	27
Reclamaciones.....	27
Convenciones del manual	27

Símbolos.....	28
Notas de seguridad	28
Advertencia sobre carcasa no cerrada	30
Notas de seguridad sobre láser	30
Exención de responsabilidad	31
Reproducción de la etiqueta de seguridad del láser.....	32
Advertencia sobre exposición al láser	33
Datos de emisión láser.....	33
Declaración de conformidad láser.....	33
2. Introducción.....	34
Vista general.....	34
Vista general.....	35
Dimensiones.....	36
Dimensiones (cont.).....	37
3. Configuración	38
Alimentación CC de la máquina de niebla	38
Fuentes de alimentación de CA externas	38
Montaje.....	39
Orientación	39
Instalación (anclaje)	39
Diagrama de montaje.....	40
Uso adecuado	41
4. Funcionamiento	41
Mando a distancia con cable de la máquina de niebla	41
Funcionamiento del panel de control del estroboscopio UV.....	41
Combo UV Estroboscopio	41
Modos estroboscopio	41
Funcionamiento del interruptor de control del láser.....	42
Mando a distancia IRC-6 (control remoto por infrarrojos).....	42
5. Información técnica.....	43
Mantenimiento general del producto.....	43
Mantenimiento de la máquina de niebla	43
6. Resolución general de problemas de la máquina de niebla	44
7. Especificaciones técnicas.....	45
Devoluciones	47
Contacto.....	48
1. Avant de commencer.....	49
Contenu	49
Description.....	49
Instructions de déballage	49
Réclamations.....	49
Conventions manuelles	49
Symboles.....	50
Consignes de Sécurité	50
Avertissement de boîtier non-verrouillé.....	52
Consignes de Sécurité des lasers.....	52
Clause de non Responsabilité.....	53
Reproduction de l'étiquette de sécurité laser	54
Avertissement d'exposition au laser.....	55
Données d'émission laser	55
Déclaration de conformité laser	55

2. Introduction	56
Vue d'ensemble	56
Vue d'ensemble	57
Dimensions	58
Dimensions (suite)	59
3. Configuration	60
Alimentation CA de la machine à brouillard	60
Alimentation externe CA	60
Installation	61
Orientation	61
Montage	61
Schéma de montage	62
Utilisation appropriée	63
4. Utilisation	63
Télécommande de la machine à brouillard	63
Utilisation du panneau de commande du stroboscope UV	63
Combo lampe UV/stroboscope	63
Modes	63
Fonction-nement du commutateur de contrôle du laser	64
Télécommande IRC-6 (Télécommande par infrarouge)	64
5. Informations Techniques	65
Entretien général des appareils	65
Entretien de la machine à brouillard	65
6. Dépannage général de la machine à brouillard	66
7. Spécifications techniques	67
Renvois	69
Nous Contacter	70
1. Erste Schritte	71
Packungsinhalt	71
Beschreibung	71
Anweisungen für das Auspacken	71
Schadensmeldung	71
Konventionen des Handbuchs	71
Symbole	72
Sicherheits-hinweise	72
Achtung! Kein Schutz bei geöffnetem Gehäuse	74
Hinweise zur Laser-sicherheit	74
Haftungs-ausschluss	75
Warn- und Sicherheitsschilder auf dem Lasergerät	76
Warnung vor Laserstrahlen	77
Laseremissions-daten	77
Laser-Konformitäts-erklärung	77
2. Einleitung	78
Übersicht	78
Übersicht	79
Abmessungen	80
Abmessungen (Fortsetz.)	81
3. Einrichten des Geräts	82
Geräteschalter der Nebelmaschine	82
Externe Netzkabel für Wechselstrom	82

Montage.....	83
Montagerichting.....	83
Installation (hängende Montage).....	83
Montageansicht	84
Bestimmungsgemäße Verwendung	85
4. Betrieb	85
Drahtge-bundene Fernbediening der Nebel-maschine.....	85
Betrieb des Bedienfelds für UV-Strobe	85
UV-Strobe-Kombi	85
Strobe-Modi	85
Betrieb des Steuer-schalters für das Laser-Gerät.....	86
IRC-6-Fernbediening (Infrarot-Fernbediening)	86
5. Technische Informationen	87
Allgemeine Produkt-wartung	87
Wartung der Nebelmaschine.....	87
6. Nebelmaschine – algemeine Fehlersuche.....	88
7. Technische Daten	89
Reklama-tionen.....	91
Kontakt.....	92
1. Voordat u begint	93
Wat is er inbegrepen	93
Beschrijving	93
Uitpakinstructies	93
Claims	93
Conventies van deze handleiding	93
Symbolen.....	94
Veiligheidsvoorschriften	94
Niet-bevestigde waarschuwing op de behuizing.....	96
Veiligheidsvoorschriften voor de laser.....	96
Disclaimer	97
Reproductie van veiligheidsetiket voor de laser.....	98
Blootstellingswaarschuwing van de laser	99
Emissiegegevens van de laser	99
Nalevingsverklaring van de laser	99
2. Inleiding.....	100
Overzicht	100
Overzicht	101
Afmetingen	102
Afmetingen (vervolg)	103
3. Instelling.....	104
Wisselstroom bij de rookmachine.....	104
Externe wisselstroomvoedingen.....	104
Montage.....	105
Oriëntatie.....	105
Installatie (opbouw)	105
Montagediagram	106
Correct gebruik	107
4. Werking	107
Bedrade afstandsbediening van de rookmachine	107
Werking van het bedieningspaneel van de UV-stroboscoop	107

UV-stroboscoop combinatie	108
Stroboscoopmodi.....	108
Gebruik van de laserbedieningsschakelaar	108
IRC-6 afstandsbediening (infrarood afstandsbediening).....	108
5. Technische informatie.....	109
Algemeen onderhoud van het product	109
Onderhoud van de rookmachine	109
6. Algemene problemen met de rookmachine oplossen.....	110
7. Technische Specificaties	111
Retouren.....	113
Neem contact Op	114

1. BEFORE YOU BEGIN

What Is Included

- Laser
- Derby
- Fog Machine
- UV Strobe combo
- IRC-6 Remote
- Power Cord
- 3 Power Supply Units
- CHAUVET® Fog Fluid (FJP)
- Warranty Card
- User Manual

Description

The Just Add Music, JAM Pack™ Gold is the ultimate all-in-one easy party system that includes:

- A laser with a dual-color laser light that creates a dynamic red and green pattern in either Automatic or Sound-Active mode.
- A tri-color derby effect light with high-powered red, green, and blue LEDs that reside behind 28 lenses. IRC-6 remote controllable motor speed and sound-active or automated programs, allows anyone to create instant entertainment.
- A compact fog machine, that emits thick bursts of water-based fog to enhance any light show. A pint of water-based fog fluid is included for immediate usability.
- A UV wash and strobe combo in a blacklight strip with the ability to strobe bright white while maintaining a cool UV wash effect. You can manually change the speed of the strobe, or set it to Automatic or Sound-Active modes. Also compatible with the IRC-6.

Unpacking Instructions

Carefully unpack the product immediately and check the box to make sure all the parts are in the package and are in good condition.

Claims




If the box or the contents (the product and included accessories) appear damaged from shipping or show signs of mishandling, notify the carrier immediately, not Chauvet. Failure to do so in a timely manner may invalidate your claim with the carrier. In addition, keep the container and all the packing material for inspection.

For other issues, such as missing components or parts, damage not related to shipping, or concealed damage, file a claim with Chauvet within 7 days of delivery.

Manual Conventions

Convention	Meaning
1–512	A range of values
50/60	A set of values of which only one can be chosen
Settings	A menu option not to be modified
Menu > Settings	A sequence of menu options to be followed
<ENTER>	A key to be pressed on the product's control panel
ON	A value to be entered or selected

Symbols

Symbol	Meaning
	Critical installation, configuration, or operation information. Ignoring this information can cause the product to not work, damage it, or cause harm to the operator.
	Important installation or configuration information. The product may not function correctly if this information is not used.
	Useful information.

Safety Notes

The Safety Notes include important laser system safety information. Read and understand all instructions before powering on the laser for the first time. Knowing these safety instructions is crucial to avoiding laser eye injury and breaking the law. Keep this User Manual in a safe place for future reference.



STOP AND READ ALL LASER SAFETY DATA



- Lasers can be hazardous and have unique safety considerations. Permanent eye injury and blindness is possible if lasers are used incorrectly. Pay close attention to each safety REMARK and WARNING statement in this User Manual. Read all instructions carefully BEFORE operating this device.
- Always connect the product to a grounded circuit to avoid the risk of electrocution.
- Always disconnect the product from the power source before cleaning.
- Avoid direct eye exposure to the light source while the product is on.
- Make sure the power cord is not crimped or damaged.
- Never disconnect the product from power by pulling or tugging on the cord.
- If mounting the product overhead, always secure to a fastening device using a safety cable.
- Make sure there are no flammable materials close to the product when operating.
- Do not touch the product's housing when operating because it may be very hot.



- This product is not intended for permanent installation.
- Always make sure that the voltage of the outlet to which you are connecting the product is within the range stated on the decal or rear panel of the product.
- The product is for indoor use only! (IP20) To prevent risk of fire or shock, do not expose the product to rain or moisture.
- Always install the product in a location with adequate ventilation, at least 20 in (50 cm) from adjacent surfaces.
- Be sure that no ventilation slots on the product's housing are blocked.
- Never connect the product to a dimmer.
- Always use the mounting bracket to carry the product.
- Do not switch the product on/off in short intervals. This will reduce the laser diode life.
- Do not shake this product. Avoid brute force when mounting or operating this product.
- ALWAYS use a safety cable when mounting the product overhead.
- The maximum ambient temperature for the derby, UV strobe and fogger is 104 °F (40 °C). Do not operate these products at higher temperatures.
- The ambient operating temperature for the laser is 59 °F to 95 °F (15 °C to 35 °C). Do not operate this product outside this range.
- In the event of a serious operating problem, stop using the product immediately.
- Never try to repair the product. Repairs carried out by unskilled people can lead to damage or malfunction. Contact the nearest authorized technical assistance center.
- Do not use for space heating purposes.
- Use only CHAUVET® water-based fog fluid.
- Drain the tank before transporting the product.
- To eliminate unnecessary wear and improve the lifespan, during periods of non-use completely disconnect the products from power via breaker or by unplugging it.



FCQ (Fog Cleaner Quart) was specifically developed by Chauvet to clean your fog machine. Make sure you use FCQ regularly to increase the life of your product.



CAUTION! Use of controls, adjustments, or procedures other than THOSE specified IN THIS USER MANUAL may result in hazardous radiation exposure.



- Avoid direct eye contact with laser light. Never intentionally expose your eyes or others to direct laser light.
- This laser product can potentially cause instant eye injury or blindness if laser light directly strikes the eyes.
- It is illegal and dangerous to shine this laser into audience areas, where the audience or other personnel could get direct laser beams or bright reflections into their eyes.
- It is a U.S. federal offense to shine any laser at aircraft.
- Use of controls, adjustments, or procedures other than those specified in this User Manual may result in hazardous radiation exposure.
- **DO NOT attempt any repairs. Repairs and servicing must be carried out by a certified technician. Unauthorized modifications are forbidden for safety reasons!**



- **Keep this User Manual for future consultation. If transferring ownership of the product to another user, be sure this document is kept with the laser.**

Non-Interlocked Housing Warning

- This unit contains high power laser devices internally.
- Do not open the laser housing, due to potential exposure to unsafe levels of laser radiation.
- The laser power levels, accessible if the unit is opened, can cause instant blindness, skin burns, and fires.

Laser Safety Notes



STOP AND READ ALL THE LASER SAFETY NOTES BELOW



Laser light is different from any other light. Laser light can cause eye injury if the product is not set up and used properly. Laser light is a thousand times more concentrated than any other kind of light. This concentration can cause instant eye injuries by burning the retina (the light-sensitive portion at the back of the eye). The heat from a laser light cannot be felt, but it can still injure or blind product operators and the audience. Even very small amounts of laser light at long distances are potentially hazardous.

DO NOT assume that exposure to an individual laser beam is safe, even a tiny beam split off from a larger beam. This laser product uses dozens of milliwatts of laser power—Class 3B levels internally—and splits them into multiple beams—Class 3R levels. The individual Class 3R level beams are potentially hazardous to the eyes.

DO NOT assume that a moving laser light is safe. Laser light is never without risk. Since eye injuries can occur instantly, it is critical to prevent the possibility of ANY direct eye exposure. According to laser safety regulations, it is not legal to aim Class 3R lasers into areas where people can be exposed, even if the laser is aimed below people's faces, such as at a dance floor.



- Do not operate the laser without first reading and understanding all the safety and technical data in this manual.
- ALWAYS set up and install all laser effects so that any laser light is at least 3 meters (9.8 feet) above the floor on which people are standing. See the [Proper Usage](#) section of this manual.
- After setup, and prior to public use, test the lasers to ensure they are functioning properly. Do not use the product if any defect is detected.
- DO NOT use laser if it is emitting only one or two beams, rather than dozens/hundreds, as this indicates damage to the diffraction grating optic, and allows emission of laser levels higher than Class 3R.
- DO NOT point lasers at people or animals.
- DO NOT look into the laser aperture or laser beams.
- DO NOT point lasers into areas where people could be exposed to them.
- DO NOT point lasers at highly reflective surfaces such as windows, mirrors, and shiny metal. Even laser reflections can be hazardous.
- Never point a laser at aircraft; this is a U.S. federal offense.
- Never point un-terminated laser beams into the sky.
- Do not expose the output optic (aperture) to harsh cleaning chemicals.
- Do not use the laser if the housing is damaged, open, or if the optics appear damaged in any way.
- Never open the laser housing. The high laser power levels inside of the protective housing can start fires or burn skin, and will cause instant eye injury.
- Never leave this product running unattended.
- The operation of a Class 3R laser show is allowed only if the lasers are operated by a skilled and well-trained professional, who is familiar with the data included in this manual.
- The legal requirements for using laser entertainment products vary from country to country. The user is responsible for the legal requirements in the location/country of use.



CAUTION! Do not operate this device in ways not specified in this User Manual. Failure to follow the instructions will void the warranty, may damage the product, or injure the user or the audience.

CAUTION! This product cannot be discarded with household waste. Contact your local waste management service for electronic disposal regulations in your area.

Disclaimer The information and specifications contained in this document are subject to change without notice. Chauvet assumes no responsibility or liability for any errors or omissions that may appear in this manual, and reserves the right to revise or recreate this manual at any time. Download the latest version from <http://www.chauvetlighting.com/product-manuals-literature/>.

© Copyright 2015 Chauvet. All rights reserved.

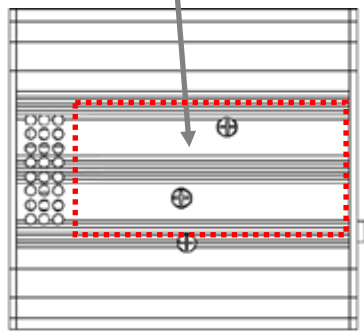
Printed in P.R.C.

Electronically published by Chauvet in the United States of America.

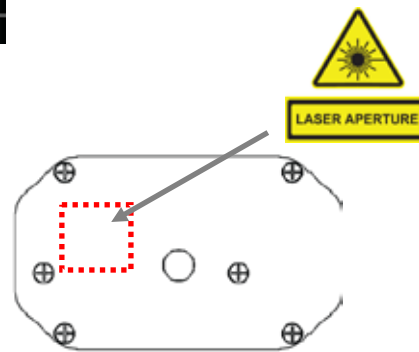
Author	Date	Editor	Date
R. Isenstadt	03/26/15	M. Trouard	05/13/15

Laser Safety Label Reproduction

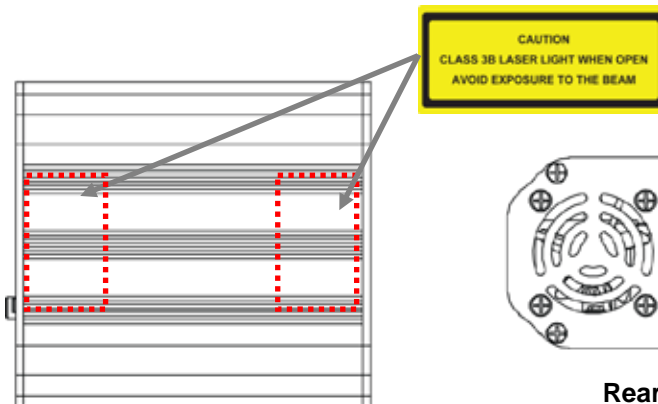
 <p>LASER LIGHT AVOID DIRECT EYE EXPOSURE CLASS 3B LASER PRODUCT 30 mW, 532 nm / 100 mW, 650 nm Classified per EN/IEC 60825-1:2007</p>	
<p>CHAUVET WORLDWIDE HEADQUARTERS SUNRISE, FLORIDA USA</p>	
<p>CHAUVET  </p>	
MODEL:	JAMPACKGOLD (laser)
TYPE:	
ITEM CODE:	10050996
INPUT VOLTAGE:	12 VDC, 1 A
LIGHT SOURCE:	LASER
ORIGIN:	MADE IN P.R.C.
<p>THIS APPLIANCE MUST BE GROUNDING CETTE UNITE DOIT ETRE RELIEE A LA TERRE THIS FIXTURE HAS NO REPLACEABLE FUSE CET APPAREIL N'A PAS FUSIBLE REMPLACABLE NOT FOR HOUSEHOLD USE NE PASSE A L'USAGE DOMESTIQUE SHY LOCATIONS EMPLOYMENTS SECS DISCONNECT POWER BEFORE SERVICING DEBRANCHER AVANT TOUT ENTRETIEN FOR INDUSTRY USE ONLY USAGE INDUSTRIEL UNIQUEMENT</p>	
USA/CANADA Power AC 100-125 V, 60 Hz, 0.058 A, 4 W	WORLDWIDE Power AC 100-240 V, 50/60 Hz, 0.042 A, 4 W



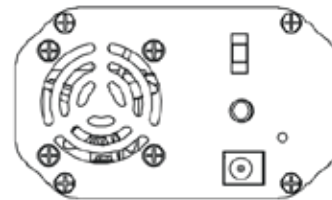
Bottom



Front



Top



Rear

**Laser Exposure
Warning**



LASER LIGHT AVOID DIRECT EYE EXPOSURE

Further guidelines and safety programs for safe use of lasers can be found in the ANSI Z136.1 Standard "For Safe Use of Lasers", available from the Laser Institute of America: www.laserinstitute.org. Many local governments, corporations, agencies, military, and others, require all lasers to be used under the guidelines of ANSI Z136.1. Laser Display guidance can be obtained via the International Laser Display Association: www.laserist.org.

**Laser Emission
Data**

As measured under
IEC measurement
conditions for
classification

Laser Classification	Class 3R
Green Laser Medium	DPSS Nd:YVO4, 532 nm/30 mW
Red Laser Medium	LD GaAlAs, 650 nm/100 mW
Beam Diameter	<5 mm at aperture
Pulse Data	All pulses < 4 Hz (>0.25 sec)
Divergence (each beam)	<2 mrad
Divergence (total light)	<160 degrees
Laser Power of Each Beam from Aperture	<5 mW

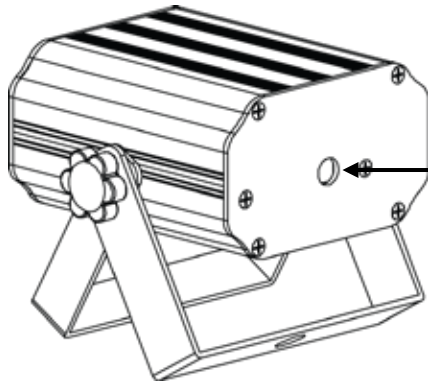
**Laser
Compliance
Statement**

This laser product complies with EN/IEC 60825-1 Ed 2, 2007-03, and U.S. FDA/CDRH FLPPS via the terms of Laser Notice No. 50 dated June 24, 2007. This laser device is classified 3R. (Class 3R is the international equivalent of U.S. Class IIIa.) No maintenance is required to keep this product in compliance with laser performance standards.

2. INTRODUCTION

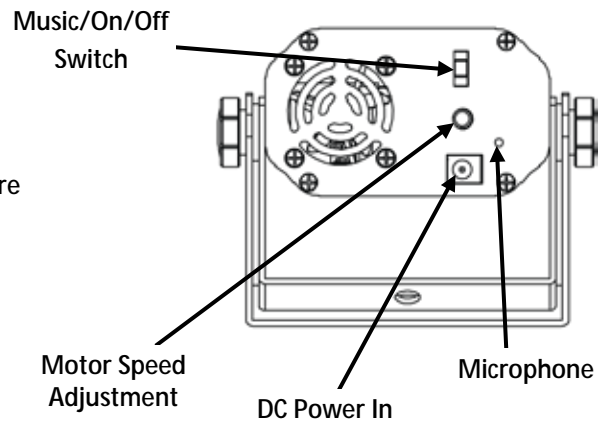
Overview

Laser



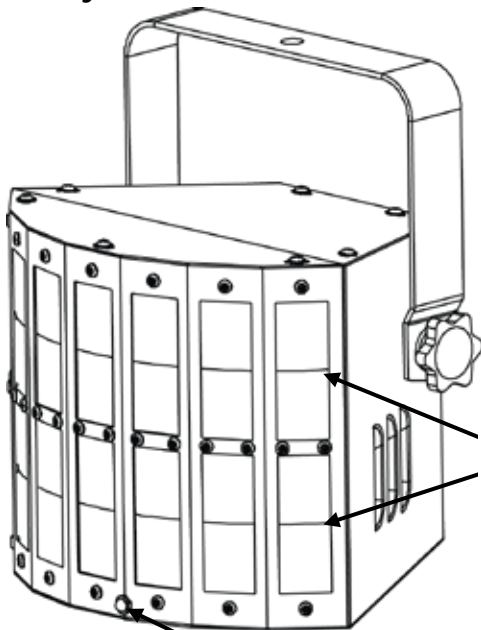
Laser Aperture

Front View



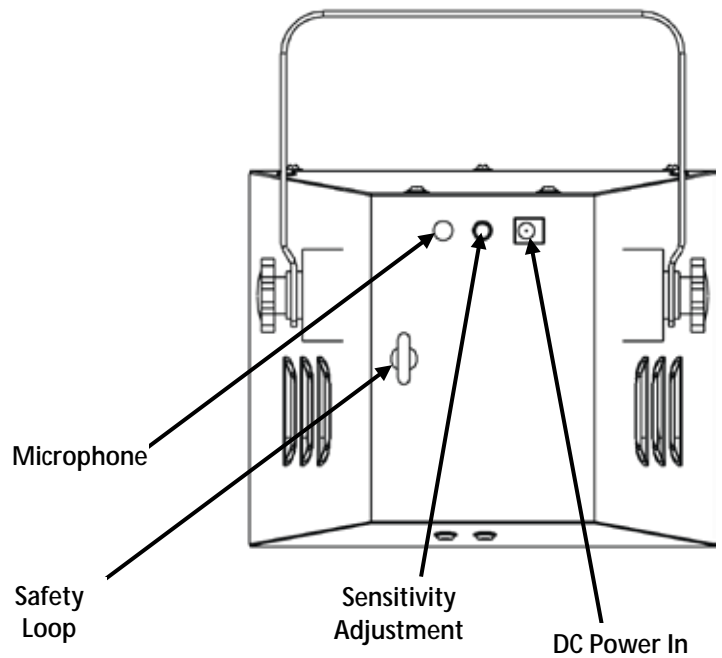
Back Panel View

Derby



Lenses

IR Sensor



Microphone

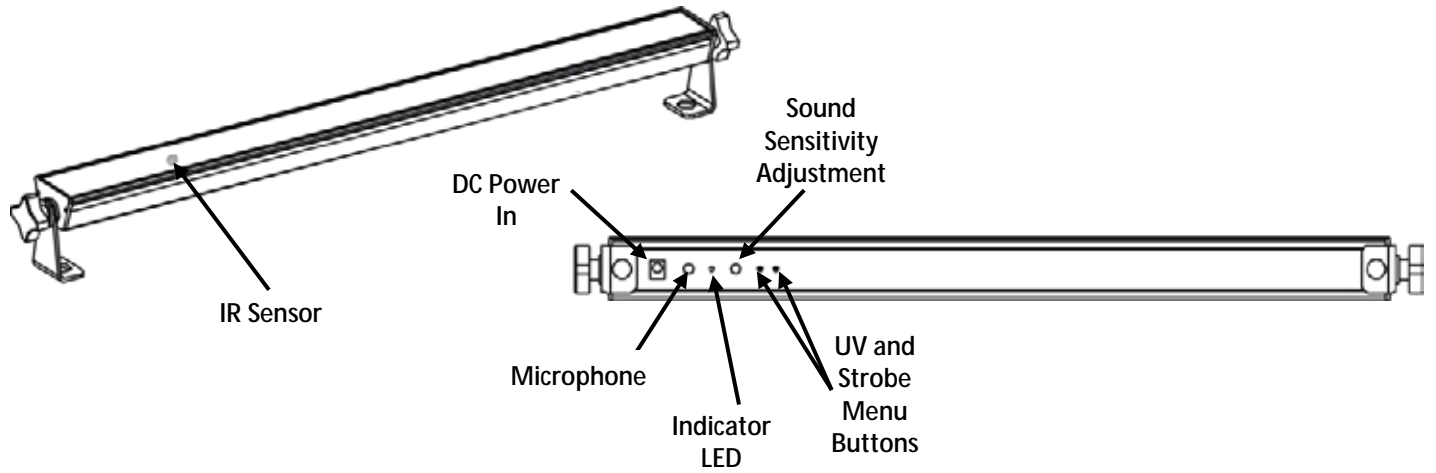
Safety Loop

Sensitivity Adjustment

DC Power In

Overview (Cont.)

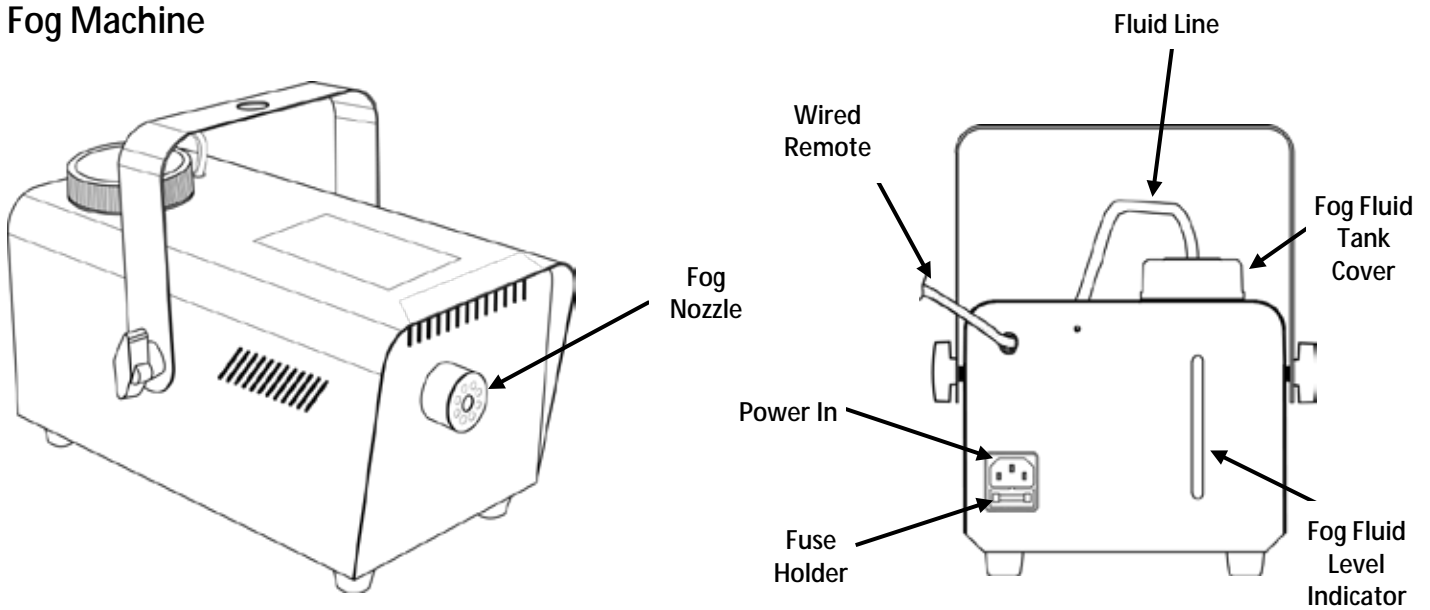
UV Strobe Combo



Front View

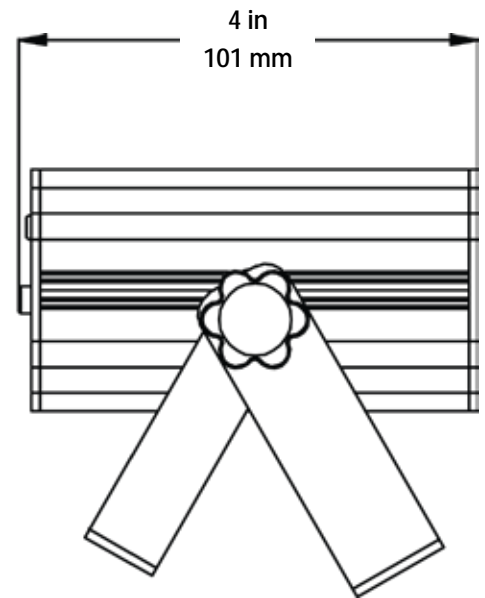
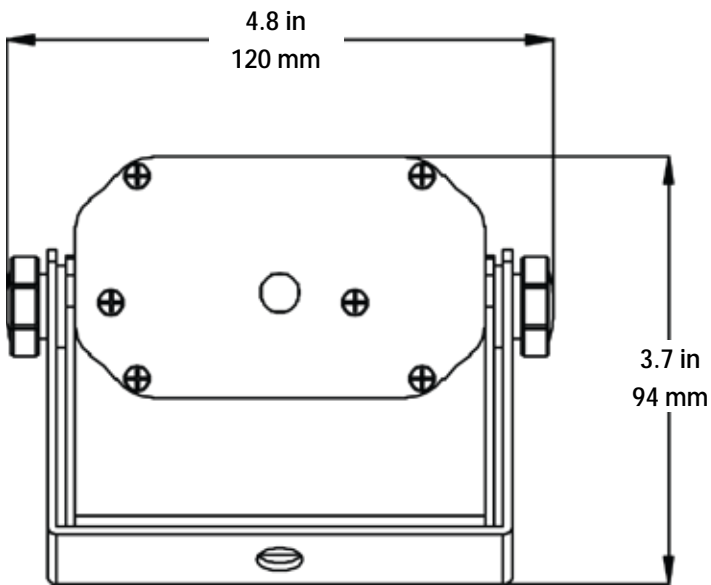
Back Panel View

Fog Machine

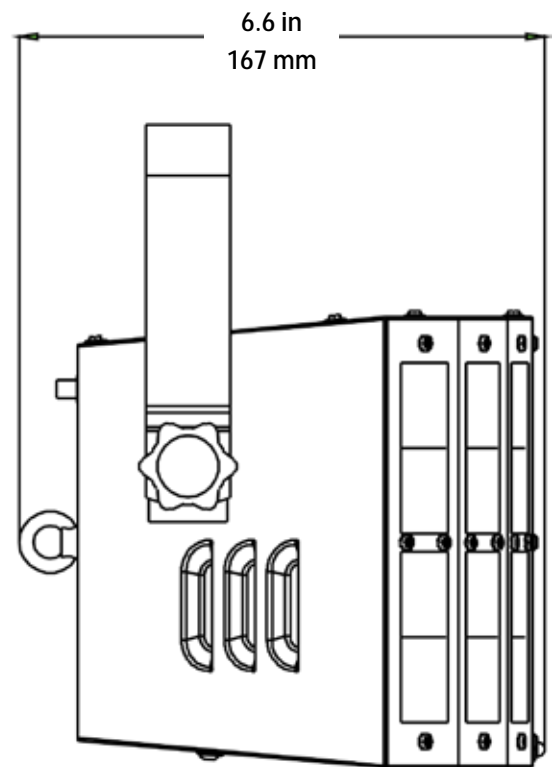
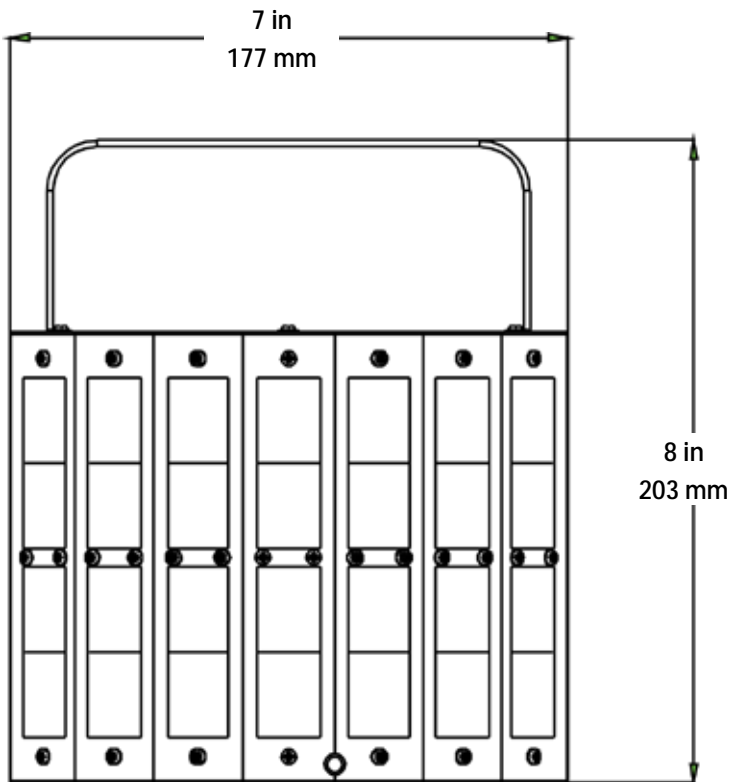


Dimensions

Laser

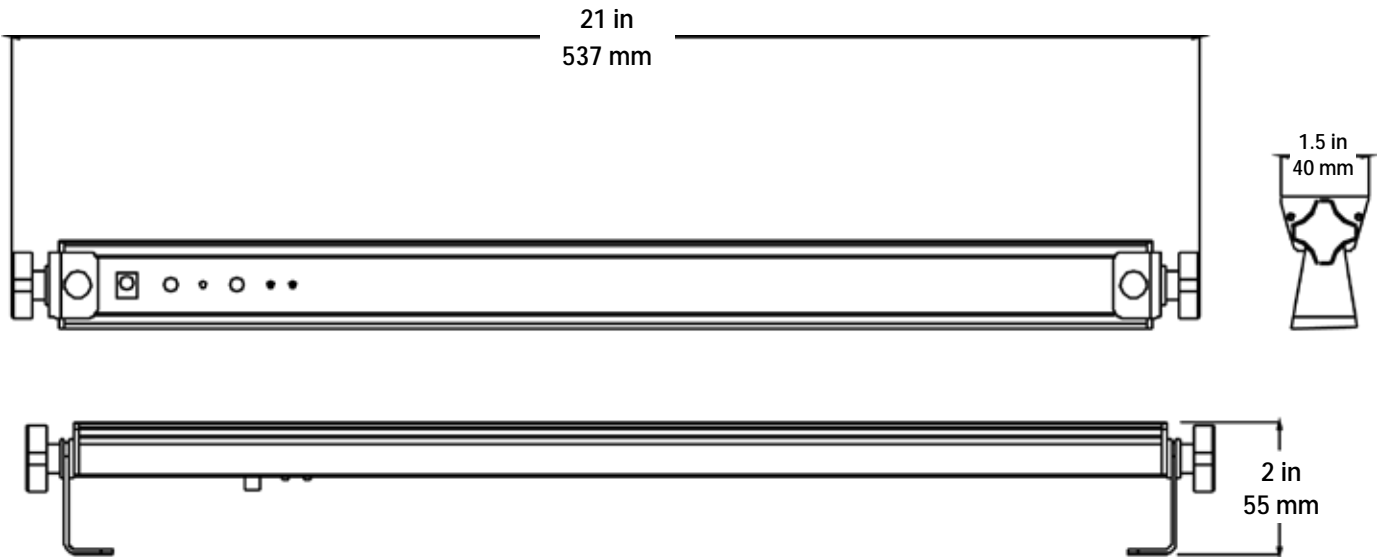


Derby

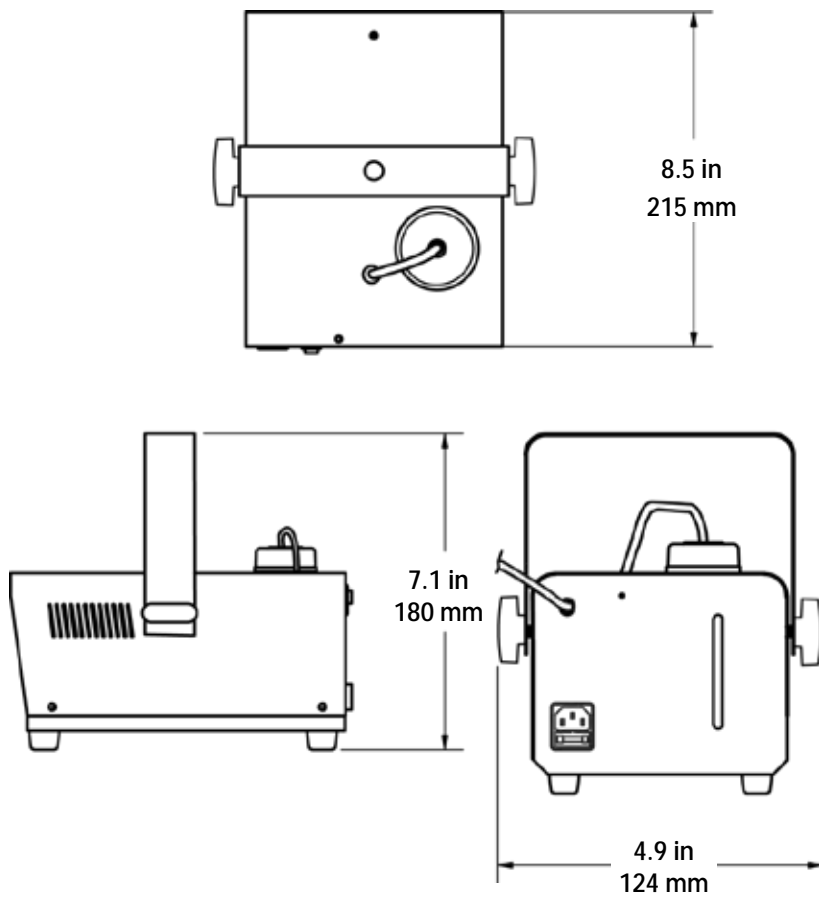


Dimensions (Cont.)

UV Strobe Combo



Fog Machine



3. SETUP

Fog Machine AC Power

The JAM Pack™ Gold fog machine has a fixed voltage power supply and it can work with an input voltage of 120 VAC at 60 Hz.

The listed current rating indicates the product's average current draw under normal conditions.



- **Always connect the product to a protected circuit (circuit breaker or fuse). Make sure the product has an appropriate electrical ground to avoid the risk of electrocution or fire.**
- **To eliminate wear and improve its lifespan, during periods of non-use completely disconnect from power via breaker or by unplugging it.**



Never connect the product to a rheostat (variable resistor) or dimmer circuit, even if the rheostat or dimmer channel serves only as a 0 to 100% switch.

Fog Machine Fuse Replacement

1. Disconnect the fogger from power.
2. Wedge the tip of a flat-head screwdriver into the slot of the fuse holder.
3. Pry the safety cap out of the housing.
4. Remove the blown fuse from the clip on the front of the safety cap and replace with a fuse of the exact same type and rating.
5. Re-insert the fuse holder and reconnect power.



The product does not ship with a spare fuse; however, the safety cap has room for a spare.



Always replace a blown fuse with a fuse of the same type and rating.

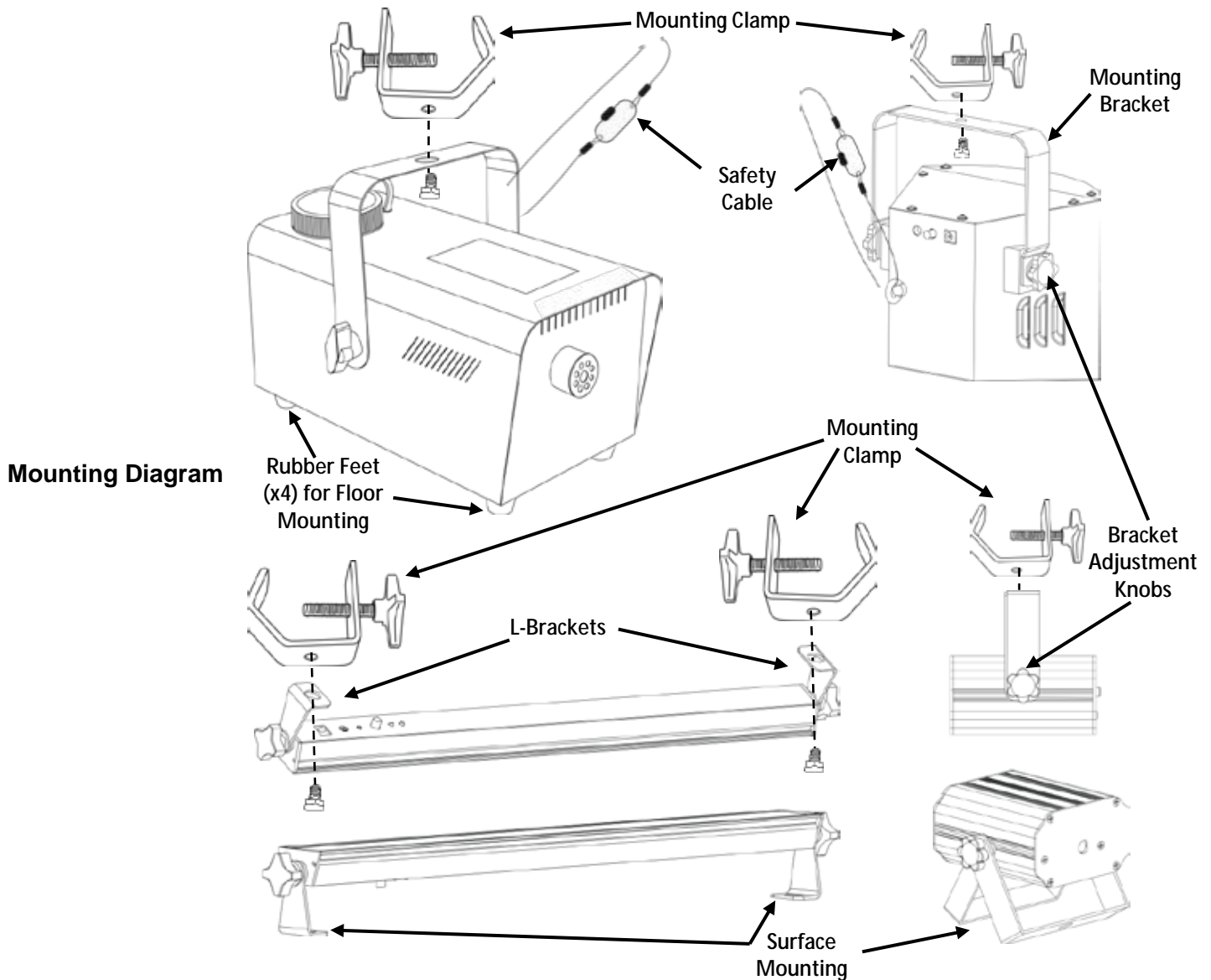
External AC Power Supplies

The JAM Pack™ Gold products (excluding the fog machine) have an external auto-ranging power supply and can work with an input voltage range of 100 to 240 VAC, 50/60 Hz.

Mounting Before mounting the product, read and follow the safety recommendations indicated in the [Safety Notes](#). The JAM Pack™ Gold products can be surface mounted, but if you choose to mount overhead using the mounting hole, do this with a screw, nut and bolt, or a hanging clamp. When rigging, consider routine maintenance. Please see the following notes on installation.

Orientation The JAM Pack™ Gold products must be mounted in a position that includes planning for safe laser usage. In addition, make sure adequate ventilation is provided around the product.

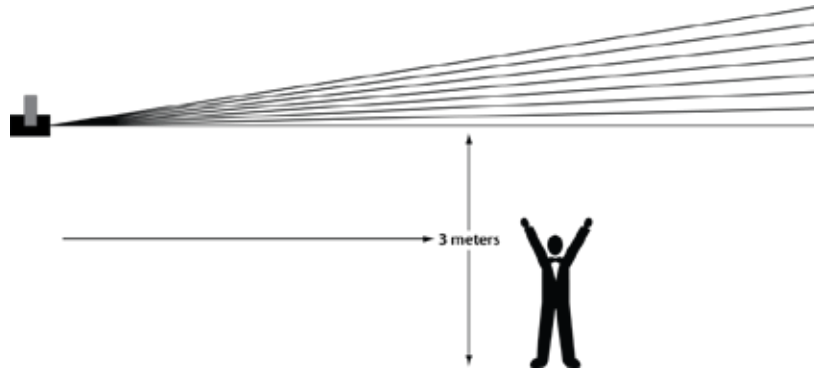
- Installation (Rigging)**
- Before deciding on a location for the product, always make sure there is easy access to the product for maintenance and programming.
 - Make sure that the structure or surface onto which you are mounting the product can support the product's weight (see [Technical Specifications](#)).
 - When mounting the product overhead, always use a safety cable. Mount the product securely to a rigging point, such as an elevated platform or a truss.
 - When aiming the products, you may use the bracket adjustment knob(s). Loosen the knob(s), adjust to the desired angle, and then tighten the knob(s) by turning clockwise. Do not use tools for this step, as it may cause damage.



Proper Usage

This laser product is for overhead mounting only. For safety purposes, Chauvet recommends mounting lighting effect products on steady elevated platforms or sturdy overhead supports using suitable hanging clamps. In all cases, use safety cables. Obtain appropriate mounting hardware from your lighting vendor.

International laser safety regulations require that laser products must be operated in the fashion illustrated below, with a minimum of 3 meters (9.8 ft) of vertical separation between the floor and the lowest laser light. Additionally, 3 meters of horizontal separation is required between laser light and audience or other public spaces.



CAUTION! Use of controls, adjustments, or procedures other than **THOSE** specified **IN THIS USER MANUAL** may result in hazardous radiation exposure.

4. OPERATION

This laser product is not designed for continual use. Make sure there are regular breaks during operation to maximize the life of your laser. Always disconnect the JAM Pack™ Gold products from power when not in use.

Fog Machine Wired Remote

Trigger the fogger using the included wired remote. The LED indicator on the remote indicates when the fogger has reached the required operating temperature. Press the button on the remote to momentarily output fog. The length of the wired remote cable is 13 ft (4 m).

UV Strobe Control Panel Operation

Button	Function
<UV ON/OFF>	Turns the UV blacklight on or off.
<STROBE MODE>	Controls the Strobe Mode.



- Indicator LED will blink when Strobe Mode is on
- Indicator LED will be static on when in Sound-Active Mode

UV Strobe Combo Strobe Modes

	Function	LED Status
Strobe Modes	Very Fast (20–30 Hz)	Blink
	Fast (10–20 Hz)	Blink
	Medium (5–10 Hz)	Blink
	Slow (1–5 Hz)	Blink
	Very Slow (0.5–1 Hz)	Blink
Off		Static On
Sound-Active Mode		Static On
Static On		Static On






















Laser Control Switch Operation

Button	Function
<MUSIC/ON/OFF>	Switches between Music (Sound-Active) Mode, on, or off.


IRC-6 Remote (Infrared Remote Control)

The JAM Pack™ Gold products are compatible with the IRC-6 remote from Chauvet, with the exception of the laser and fogger.

The following IRC-6 buttons are used with the JAM Pack™ Gold products:

-  Turns LED on/off
 -  Selects Sound-Active mode
 -  Start/Stop Strobing (0–20 Hz)
 -  Selects Automatic Mode
 -  Speed of Strobe up or down
 - 
 -  Static Red
 -  Static Green
 -  Static Blue
 -  Turns the UV On/Off for UV Strobe
 -  Turns White On/Off for UV Strobe
-
- | | |
|--|--|
|  Red/Green/Blue |  Green/Blue |
|  Red |  Blue |
|  Red/Green |  Red/Blue |
|  Red/Green |  Red/Blue |
|  Green |  Red/Green |

       No Function

 From a distance, all products (except for the laser and fogger) will respond to the IRC-6 simultaneously when they are in close proximity to each other. To select an individual product remotely, the IRC-6 must be aimed only at the desired product.

5. TECHNICAL INFORMATION

General Product Maintenance

Dust build-up reduces light output performance and can cause overheating. To maintain optimum performance, clean the product at least twice a month. However, usage and environmental conditions contribute to increasing the cleaning frequency.

To clean the product, follow the instructions below:

1. Unplug the product from power.
2. Wait until the product is at room temperature.
3. Use a vacuum (or dry compressed air) and a soft brush to remove dust collected on the external surfaces and fan vents.
4. Clean the transparent panel (laser aperture) with a mild solution of non-ammonia glass cleaner or isopropyl alcohol.
5. Apply the solution directly to a soft, lint-free cotton cloth or a lens cleaning tissue.
6. Softly wipe any dirt or grime to the outside edges of the glass.
7. Gently polish the transparent surface until they are free of haze and lint.



Always dry the optical surfaces carefully after cleaning them.



Do not spin the cooling fan using compressed air because you could damage it.

Do not allow the fogger to become clogged. After every 40 hours of continuous operation, use CHAUVET® Fog Cleaner Quart (FCQ) through the system to prevent the accumulation of particulate matter in the heating element.

The recommended cleaning procedure is as follows.

1. Unplug the product from power.
2. Empty all fog fluid from the machine.
3. Add cleaning solution to the tank.
4. Connect the product to power and allow it to warm up.
5. Run the unit in a well-ventilated area until the tank is almost empty. Do not allow the pump to run dry.
6. Refill with fogger fluid to continue using the fogger. Run the machine briefly to clear any remaining cleaning solution from the pump and heater.

Fog Machine Maintenance



Do not operate the machine without fluid at any time.



FCQ (Fog Cleaner Quart) was specifically developed by Chauvet to clean your Hurricane™ 700. Make sure you use FCQ regularly, no longer than 90 days between cleanings, to increase the life of your fogger.

Storage

Before storing the fogger, run FCQ through the system as described in the cleaning procedure above; however, only follow steps 1 through 5. **Do not refill the tank with fog fluid if storing the fogger.** Cleaning the system prior to storage will help prevent any particles from condensing inside the pump or heater while not in use.



Test-run your fog machine on a monthly basis to achieve the best performance.

6. GENERAL FOGGER TROUBLESHOOTING

Symptom	Possible Cause	Possible Action
No output or fog machine is spitting fluid	Incorrect fluid	Clean thoroughly with CHAUVET® FCQ. For full instructions, see Fog Machine Maintenance . Refill with CHAUVET® water-based fog fluid.
	Blocked pipe or failing part	Contact Customer Service
Circuit breaker or fuse keeps blowing	Excessive load on the circuit	Make sure that the total load does not exceed 80% of the breaker or fuse nominal current
	Short circuit along the power lines	Check the power lines and power cords
Product does not power up	No energy on power outlet	Check power outlet Change to another outlet
	Loose or damaged power cord	Check the power cord
	Blown fuse	Replace blown fuse with a good one of the same type and rating
	Internal problem	Send product for repair
Product stops pumping/ Loud noise	Low/No Fluid	Refill product with fluid
	Pump protection system engaged	Release manual fog button, and press it again to reset pump protection system



If you still experience problems after trying the solutions presented here, contact Chauvet Technical Support. See [Contact Us](#).

7. TECHNICAL SPECIFICATIONS

Dimensions and Weight

JAM Pack™ Gold

Mini Laser	Length	Width	Height	Weight
	4 in (101 mm)	4.8 in (120 mm)	3.7 in (94 mm)	0.6 lb
Fog Machine	Length	Width	Height	Weight
	8.5 in (215 mm)	4.9 in (124 mm)	7.1 in (180 mm)	4 lb
Mini Derby	Length	Width	Height	Weight
	6.6 in (167 mm)	7 in (177 mm)	8 in (203 mm)	2.4 lb
UV Strobe	Length	Width	Height	Weight
	21 in (537 mm)	1.5 in (40 mm)	2 in (55 mm)	0.6 lb

Note: Dimensions in inches rounded to the nearest decimal digit.

Power

Value	Laser, Derby, UV Strobe	External Power Supply	Fog Machine	
Input Voltage	Fixed	Switching	Fixed	
Range	12 VDC, 1 A	100–240 VAC, 50/60 Hz	120 VAC, 60 Hz	
Voltage Selection	Fixed	Auto-ranging	Fixed	
Parameter (120 V, 60 Hz)	Fog Machine	Derby	Laser	UV Strobe
Consumption	471 W	10 W	4 W	12 W
Operating current	3.9 A	150 mA	68 mA	180 mA
Fuse	F 5 A, 250 V	N/A	N/A	N/A

Fog Machine

Power I/O	US/Worldwide
Power input connector	IEC
Power cord plug	Edison (US)

Laser, Derby, and UV Strobe

Power I/O	US/Worldwide
Power input connector	Power DC Input
Power Supply Unit	12 VDC AC Adapter

Light Source

Laser	Type	Power	Wavelength
	Laser (green)	30 mW	532 nm
	Laser (red)	100 mW	650 nm

LED

Derby	Type	Power	Lifespan
	LED	6 W	50,000 hours
	Color	Quantity	Current
	Red	1	1.76 A
	Green	1	1.76 A
	Blue	1	1.76 A
UV Strobe	Type	Power	Lifespan
	LED (CW)	600 mW	50,000 hours
	LED (UV)	1.05 W	50,000 hours
	Color	Quantity	Current
	White	4	190 mA
	UV	5	310 mA

JAM Pack™ Gold (cont.)

Fog Machine

Operation/Capacity/ Consumption	Heat-up Time	Tank Capacity	Fluid Consumption
	2.5 min	0.2 gal (0.6 l)	7.5 ml/min

Misc.	Output
	1,500 cfm

Wired Remote	Length
	13 ft (4 m)

Thermal

General Maximum External Temp.	Laser Maximum External Temp	Cooling System
104 °F (40 °C)	90 °F (35 °C)	Fan-cooled and Convection

Ordering

Product Name	Item Code	UPC Code
JAM Pack™ Gold	10050956	781462213046



RETURNS

In case you need to get support or return a product:

- If you are located in the U.S., contact Chauvet World Headquarters.
- If you are located in the UK or Ireland, contact Chauvet Europe Ltd.
- If you are located in Mexico, contact Chauvet Mexico.
- If you are located in Benelux, contact Chauvet Europe BVBA.
- If you are located in any other country, DO NOT contact Chauvet. Instead, contact your local distributor. See www.chauvetlighting.com for distributors outside the U.S., UK, Ireland, Mexico or Benelux.



If you are located outside the U.S., UK, Ireland, Mexico, or Benelux, contact your distributor of record and follow their instructions on how to return CHAUVET® products to them. Visit our website www.chauvetlighting.com for contact details.

Call the corresponding Chauvet Technical Support office and request a Return Merchandise Authorization (RMA) number before shipping the product. Be prepared to provide the model number, serial number, and a brief description of the cause for the return.

Send the merchandise prepaid, in its original box, and with its original packing and accessories. Chauvet will not issue call tags.

Clearly label the package with the RMA number. Chauvet will refuse any product returned without an RMA number.



Write the RMA number on a properly affixed label. DO NOT write the RMA number directly on the box.

Before sending the product, clearly write the following information on a piece of paper and place it inside the box:

- Your name
- Your address
- Your phone number
- RMA number
- A brief description of the problem

Be sure to pack the product properly. Any shipping damage resulting from inadequate packaging will be your responsibility. FedEx packing or double-boxing are recommended.



Chauvet reserves the right to use its own discretion to repair or replace returned product(s).

CONTACT US

WORLD HEADQUARTERS - Chauvet

General Information

Address: 5200 NW 108th Avenue
Sunrise, FL 33351
Voice: (954) 577-4455
Fax: (954) 929-5560
Toll free: (800) 762-1084

Technical Support

Voice: (954) 577-4455 (Press 4)
Fax: (954) 756-8015
Email: tech@chauvetlighting.com

World Wide Web www.chauvetlighting.com

UNITED KINGDOM AND IRELAND - Chauvet Europe Ltd.

General Information

Address: Unit 1C
Brookhill Road Industrial Estate
Pinxton, Nottingham, UK
NG16 6NT
Voice: +44 (0)1773 511115
Fax: +44 (0)1773 511110

Technical Support

Email: uktech@chauvetlighting.com

World Wide Web www.chauvetlighting.co.uk

MEXICO - Chauvet Mexico

General Information

Address: Av. Santa Ana 30
Parque Industrial Lerma
Lerma, Mexico C.P. 52000
Voice: +52 (728) 285-5000

Technical Support

Email: servicio@chauvet.com.mx

World Wide Web www.chauvet.com.mx

CHAUVET EUROPE - Chauvet Europe BVBA

General Information

Address: Stokstraat 18
9770 Kruishoutem
Belgium
Voice: +32 9 388 93 97

Technical Support

Email: Eutech@chauvetlighting.eu

World Wide Web www.chauvetlighting.eu

Outside the U.S., United Kingdom, Ireland, Mexico, or Benelux contact your dealer. Follow their instructions to request support or to return a product. Visit our website for contact details.

1. ANTES DE EMPEZAR

Qué va incluido

- Láser
- Derby
- Máquina de niebla
- Combo UV Estroboscopio
- Mando a distancia IRC-6
- Cable de alimentación
- 3 unidades de fuente de alimentación
- Fluido de niebla CHAUVET® (FJP)
- Tarjeta de garantía
- Manual de usuario

Descripción

El JAM Pack™ Gold para solo añadir la música es el sistema de fiestas todo en uno definitivo, que contiene:

- Un láser con una luz láser de dos colores que crea un patrón dinámico rojo y verde en modo Automático o Activo por sonido.
- Una luz tricolor de efecto derby con LED de alta potencia de color rojo, verde, azul ubicados tras 28 lentes. Mando a distancia IRC-6 con velocidad de motor controlable y programas activos por sonido o automáticos, que permiten que cada uno cree al instante su espectáculo.
- Una máquina de niebla compacta, que emite densas nubes de niebla con base de agua para realzar cualquier espectáculo de luz. Se incluye una pinta de fluido de niebla basado en agua para que pueda usarla de inmediato.
- Un combo de baño de luz UV y estroboscopio en una tira de luz negra que funciona como brillante estroboscopio blanco mientras continúa con un genial efecto de baño UV. Se puede cambiar manualmente la velocidad del estroboscopio, o configurarlo en los modos Automático o Activo por sonido. También es compatible con el IRC-6.

Instrucciones de desembalaje

Desembale el producto con cuidado inmediatamente y compruebe la caja para asegurarse de que todas las piezas están en el paquete y en buen estado.

Reclamaciones




Si la caja o el contenido (el producto y los accesorios incluidos) parecen dañados a causa del transporte o muestran signos de manipulación inadecuada, notifíquesele inmediatamente al transportista, y no a Chauvet. Si no lo hace oportunamente, puede quedar invalidada su reclamación al transportista. Además, guarde la caja y todo el material de embalaje para su inspección.

Para otras incidencias, como componentes o piezas que falten, daños no relacionados con el transporte o daños no evidentes, presente una reclamación a Chauvet en el plazo de 7 días desde la entrega.

Convenciones del manual

Convención	Significado
1–512	Un rango de valores
50/60	Un conjunto de valores de los cuales solo se puede escoger uno
Settings	Una opción de menú que no se puede modificar
Menu > Settings	Una secuencia de opciones de menú que ha de seguirse
<ENTER>	Una tecla que se tiene que pulsar en el panel de control del producto
ON	Un valor que se tiene que introducir o seleccionar

Símbolos

Símbolo	Significado
	Instalación, configuración o información crítica sobre el funcionamiento. Hacer caso omiso de esta información puede hacer que el producto no funcione, que se averíe, o causar daños al usuario.
	Instalación o información de configuración importante. El producto puede no funcionar correctamente si esta información no se usa.
	Información útil.

Notas de seguridad

Las Notas de seguridad incluyen información importante sobre seguridad del sistema láser. Lea y comprenda todas las instrucciones antes de encender el láser por primera vez. Conocer las instrucciones de seguridad es crucial para evitar lesiones oculares y para no infringir la ley. Mantenga este Manual de usuario en un lugar seguro para futuras consultas.



DETÉNGASE Y LEA TODOS LOS DATOS DE SEGURIDAD LÁSER



- Los láseres pueden ser peligrosos y tienen consideraciones de seguridad particulares. Puede producirse lesión ocular permanente y ceguera si los láseres se usan incorrectamente. Ponga máxima atención a todos los COMENTARIOS y ADVERTENCIAS de seguridad de este Manual de usuario. Lea atentamente todas las instrucciones ANTES de poner en funcionamiento este dispositivo.
- Conecte siempre el producto a un circuito con toma de tierra para evitar el riesgo de electrocución.
- Desconecte siempre el producto de la alimentación antes de limpiarlo.
- Evite la exposición directa de los ojos a la fuente de luz mientras es producto esté encendido.
- Asegúrese de que el cable de alimentación no está retorcido ni estropeado.
- Nunca desconecte este producto de la alimentación agarrando o tirando del cable.
- Si monta el producto en alto, asegure siempre a un dispositivo de seguridad usando cable de seguridad.
- Asegúrese de que no hay materiales inflamables cerca del producto cuando esté en funcionamiento.
- No toque la carcasa del producto cuando esté en funcionamiento, porque podría estar muy caliente.



- Este producto no está concebido para una instalación permanente.
- Asegúrese siempre de que la tensión del enchufe al que conecte el producto está en el rango establecido en el grabado o en el panel posterior del producto.
- ¡El producto es para uso en interiores solamente! (IP20) Para evitar riesgos de incendio o descarga, no exponga el producto a la lluvia o la humedad.
- Instale siempre el producto en una ubicación con ventilación adecuada, al menos a 20" (50 cm) de superficies adyacentes.
- Asegúrese de que no queda bloqueada ninguna ranura de ventilación en la carcasa del producto.
- Nunca conecte el producto a un atenuador.
- Use siempre el soporte de montaje para trasladar el producto.
- No apague/encienda el producto a intervalos cortos. Esto acortará la vida del diodo láser.
- NO sacuda este producto. Evite usar la fuerza bruta cuando monte o maneje el producto.
- Use SIEMPRE un cable de seguridad cuando monte este producto en lo alto. La temperatura ambiente máxima para el derby, estroboscopio UV y máquina de niebla es de 104 °F (40 °C). No haga funcionar estos productos a temperaturas más altas.
- La temperatura ambiente operativa para el láser es de 59 °F a 95 °F (15 °C a 35 °C). No haga funcionar este producto fuera de este rango.
- En caso de un problema grave de funcionamiento, deje de usar el producto inmediatamente.
- Nunca intente reparar el producto. Las reparaciones llevadas a cabo por personal no cualificado pueden provocar averías o funcionamiento defectuoso. Póngase en contacto con el centro de asistencia técnica autorizado más cercano.
- No utilizar para calentar espacios.
- Use solo fluido de niebla con base de agua CHAUVET®.
- Vacíe el depósito antes de transportar el producto.
- Para evitar un desgaste innecesario y alargar la vida útil, desconecte completamente los productos de la alimentación mediante el interruptor o desenchufándolos durante periodos en que no los use.



El FCQ (Cuarto de galón de limpiador de niebla) ha sido especialmente desarrollado por Chauvet para limpiar su máquina de niebla. Asegúrese de usar FCQ regularmente para incrementar la vida de su producto.



¡CUIDADO! El uso de controles, ajustes o procedimientos distintos a ESTOS que se especifican EN ESTE MANUAL DE USUARIO pueden causar exposición peligrosa a la radiación.



- Evite el contacto directo de los ojos con la luz del láser. Nunca exponga intencionadamente sus ojos o los de otras personas a la luz directa del láser.
- Este producto láser puede causar lesiones oculares al instante, o ceguera, si la luz del láser incide directamente en los ojos.
- Es ilegal y peligroso alumbrar con este láser zonas de espectadores en las que el público u otro personal pueda recibir rayos láser o reflejos de su brillo directamente en los ojos.
- En los EE. UU es un delito federal dirigir cualquier láser hacia un avión.
- El uso de controles, ajustes o procedimientos distintos a los especificados en este Manual de usuario pueden causar exposición peligrosa a la radiación.
- **NO intente ninguna reparación. Las reparaciones y la asistencia deben ser llevadas a cabo por un técnico autorizado. ¡Las modificaciones no autorizadas están prohibidas por motivos de seguridad!**



- **Guarde este Manual de usuario para futuras consultas. Si este producto pasa a ser propiedad de otro usuario, asegúrese de que este documento acompaña al láser.**

Advertencia sobre carcasa no cerrada

- Esta unidad contiene internamente dispositivos láser de alta potencia.
- No abra la carcasa del láser, debido a la potencial exposición a niveles no seguros de radiación láser.
- Los niveles de láser a los que se tiene acceso si se abre la unidad pueden causar ceguera instantánea, quemaduras en la piel e incendios.

Notas de seguridad sobre láser

DETÉNGASE Y LEA TODAS LAS NOTAS DE SEGURIDAD SOBRE EL LÁSER SIGUIENTES



La luz láser es diferente de cualquier otra luz. La luz láser puede causar lesiones oculares si el producto no se instala y usa adecuadamente. La luz láser es miles de veces más concentrada que cualquier otro tipo de luz. Esta concentración puede causar lesiones instantáneas en el ojo por quemadura de la retina (la zona sensible a la luz en la parte posterior del ojo). El calor de una luz láser podría no sentirse y aun así puede quemar o dejar ciegos a los operadores del producto o al público. Incluso cantidades muy pequeñas de luz láser, y a larga distancia, son potencialmente peligrosas.

NO asuma que la exposición a un haz individual de luz láser es segura, incluso si se trata de un haz muy pequeño dividido de un haz más grande. Este producto de láser utiliza docenas de milivatios de potencia láser —niveles Clase 3B internamente— y se divide en múltiples haces —niveles Clase 3R—. Los haces individuales de Clase 3R son potencialmente peligrosos para los ojos.

NO asuma que una luz láser en movimiento es segura. La luz láser nunca está exenta de riesgo. Puesto que las lesiones oculares pueden producirse instantáneamente, es crítico prevenir la posibilidad de CUALQUIER exposición directa al ojo. Según las regulaciones de seguridad láser, no es legar dirigir láseres de Clase 3R a zonas en las que pueda quedar gente expuesta, incluso si el láser apunta por debajo de las caras de las personas, como a una pista de baile.



- No ponga en funcionamiento el láser sin primero leer y comprender todos los datos técnicos y de seguridad de este manual.
- Ubique e instale todos los efectos láser SIEMPRE de forma que toda la luz láser esté al menos a 3 m (9,8 pies) sobre el nivel del suelo en el que se encuentra la gente. Vea el apartado [Uso adecuado](#) de este manual.
- Después de la instalación, y antes de su uso público, pruebe los láseres para asegurarse de que funcionan adecuadamente. No use el producto si detecta cualquier defecto.
- NO use el láser si este emite solo uno o dos haces en lugar de docenas/centenares, pues esto indica una avería en la óptica de la rejilla de difracción, y permite la emisión de niveles de láser por encima de la Clase 3R.
- NO apunte con láser a personas o animales.
- NO mire a la apertura del láser o a los haces de láser.
- NO apunte con láser en zonas en la que la gente pueda quedar expuesta.
- NO apunte con láseres a superficies muy reflectantes como ventanas, espejos y metal pulido. Incluso los reflejos del láser pueden ser peligrosos.
- Nunca apunte con el láser a un avión, pues constituye delito según las leyes de EE. UU.
- Nunca apunte hacia el cielo con haces láser sueltos.
- No exponga la óptica de salida (apertura) a productos de limpieza químicos agresivos.
- No use el láser si la carcasa está averiada o abierta, o si la óptica parece dañada de cualquier modo.
- Nunca abra la carcasa del láser. Los altos niveles de potencia láser dentro de la carcasa protectora pueden originar incendios o quemaduras en la piel y causar lesiones oculares al instante.
- Nunca deje este producto en funcionamiento sin vigilancia.
- El funcionamiento de un láser de espectáculo de Clase 3R se permite solo si el espectáculo es controlado por un profesional experimentado y bien formado, familiarizado con los datos contenidos en este manual.
- Los requisitos legales para usar productos de láser recreativo varían de un país a otro. El usuario es responsable de los requisitos legales del lugar/país en que lo utilice.



¡CUIDADO! No ponga en funcionamiento este dispositivo en formas no especificadas en este Manual de usuario. No seguir las instrucciones invalidará la garantía, podría dañar el producto o lesionar al usuario o al público.

¡CUIDADO! Este producto no se puede tirar con la basura doméstica. Póngase en contacto con el servicio de recogida para la eliminación de aparatos electrónicos de su zona.

Exención de responsabilidad

La información y especificaciones contenidas en este documento están sujetas a cambio sin previo aviso. Chauvet no asume responsabilidad de ningún tipo por cualquier error u omisión que pueda aparecer en este manual, y se reserva el derecho a revisar o rehacer este manual en cualquier momento. Descargue la última versión de <http://www.chauvetlighting.com/product-manuals-literature/>.

© Copyright 2015 Chauvet. Todos los derechos reservados.

Impreso en la R. P. China.

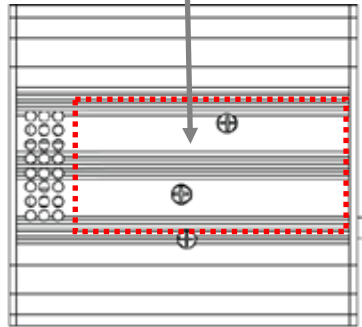
Publicado en formato electrónico por Chauvet en EE. UU.

Autor	Fecha	Editor	Fecha
R. Isenstadt	26/03/2015	M. Trouard	13/05/15

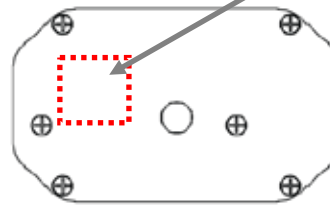
Reproducción de la etiqueta de seguridad del láser

 <p>LASER LIGHT AVOID DIRECT EYE EXPOSURE CLASS 3R LASER PRODUCT 30 mW, 532 nm / 100 mW, 650 nm Classified per EN/IEC 60825-1:2007</p>	
<p>CHAUVET WORLDWIDE HEADQUARTERS SUNRISE, FLORIDA USA</p> <p>CHAUVET  </p>	
MODEL:	JAMPACKGOLD (laser)
TYPE:	THIS APPLIANCE MUST BE GROUNDING. CETTE UNITE DOIT ETRE RELIEE A LA TERRE. THIS FIXTURE HAS NO REPLACEABLE FUSE. CET APPAREIL NA PAS FUSIBLE REMPLACABLE.
ITEM CODE:	10050056
INPUT VOLTAGE:	12 VOLT 1 A
LIGHT SOURCE:	LASER
ORIGIN:	MADE IN P.R.C.
USA/CANADA Power AC 100-125 V, 60 Hz, 0.068 A, 1 W	WORLDWIDE Power AC 100-240 V, 50/60 Hz, 0.042 A, 4 W

Inferior

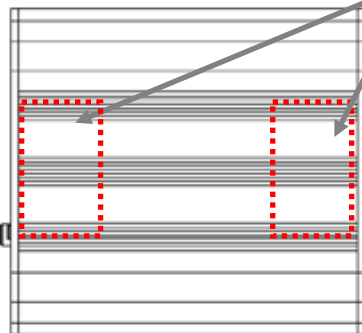


LASER APERTURE

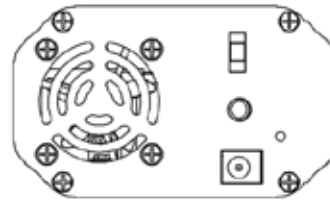


Frontal

CAUTION
 CLASS 3B LASER LIGHT WHEN OPEN
 AVOID EXPOSURE TO THE BEAM



Superior



Posterior

Advertencia sobre exposición al láser

LUZ LÁSER, EVITE LA EXPOSICIÓN DIRECTA AL OJO

Se pueden encontrar más directrices y programas de seguridad para el uso seguro de láseres en la Normativa ANSI Z136.1 "Para uso seguro de Láseres", disponible en el Laser Institute of America: www.laserinstitute.org. Muchos gobiernos locales, corporaciones, agencias, ejército y otros requieren que todos los láseres se usen bajo las directrices de ANSI Z136.1. La guía Laser Display puede obtenerse de la International Laser Display Association: www.laserist.org.

Datos de emisión láser

Según medida bajo condiciones de medición IEC para clasificación

Clasificación láser	Class 3R
Láser Verde Medio	DPSS Nd:YVO4, 532 nm/30 mW
Láser Rojo Medio	LD GaAlAs, 650 nm/100 mW
Diámetro del haz	<5 mm en la apertura
Datos de pulso	Todos los pulsos < 4 Hz (>0.25 sec)
Divergencia (cada haz)	<2 mrad
Divergencia (luz total)	<160 grados
Potencia láser de cada haz desde la apertura	<5 mW

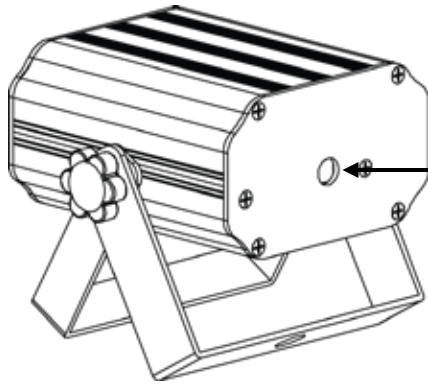
Declaración de conformidad láser

Este producto láser cumple las directivas EN/IEC 60825-1 Ed 2, 2007-03, y U.S. FDA/CDRH FLPPS mediante las condiciones de Laser Notice No. 50 de fecha 24 de junio de 2007. Este dispositivo láser está clasificado como 3R. (La Clase 3R es el equivalente internacional a la Clase IIIa de EE. UU). No es necesario ningún mantenimiento para que este producto siga cumpliendo los estándares de rendimiento láser.

2. INTRODUCCIÓN

Vista general

Láser

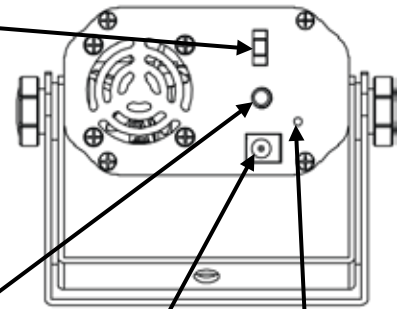


Vista frontal

Interruptor
Música/Encendido/Apagado

Apertura
del láser

Ajuste de la
velocidad del
motor

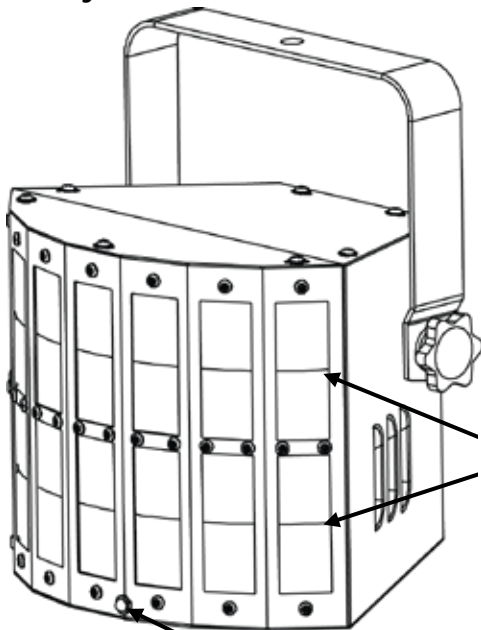


Entrada de
corriente
continua

Micrófono

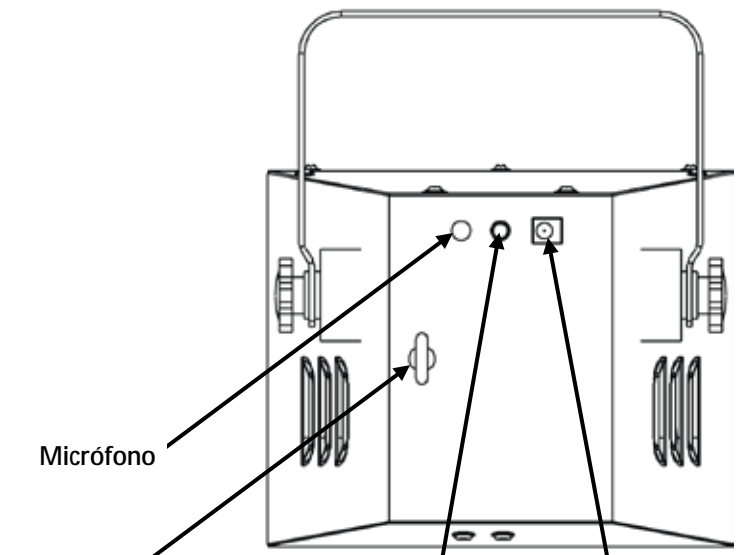
Vista del panel
posterior

Derby



Lentes

Sensor
IR



Micrófono

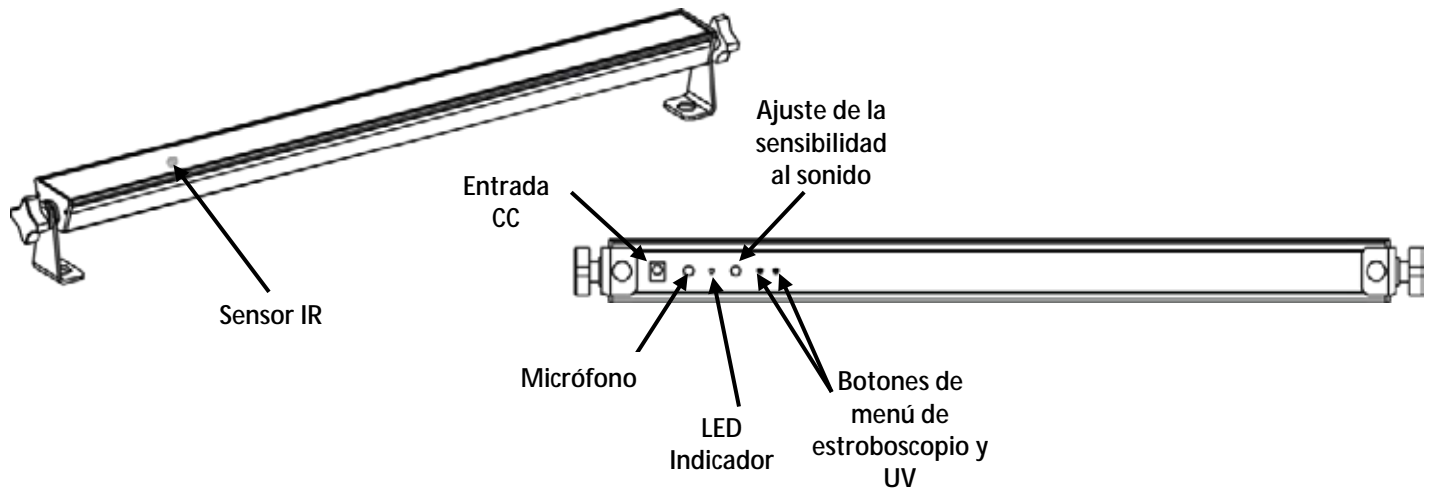
Lazo de
seguridad

Ajuste de
sensibilidad

Entrada de
corriente
continua

Vista general (Cont.)

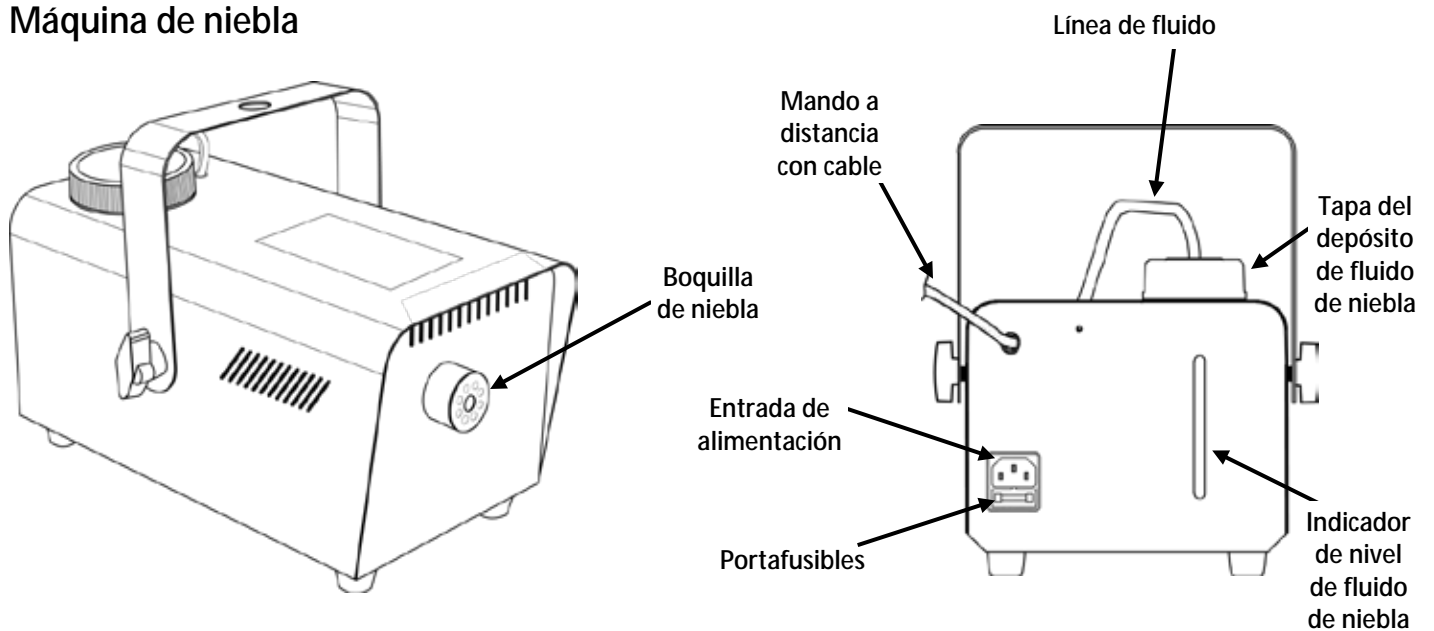
Combo UV Estroboscopio



Vista frontal

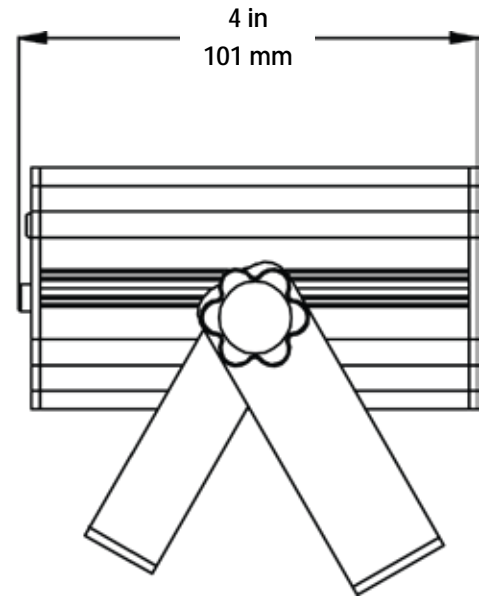
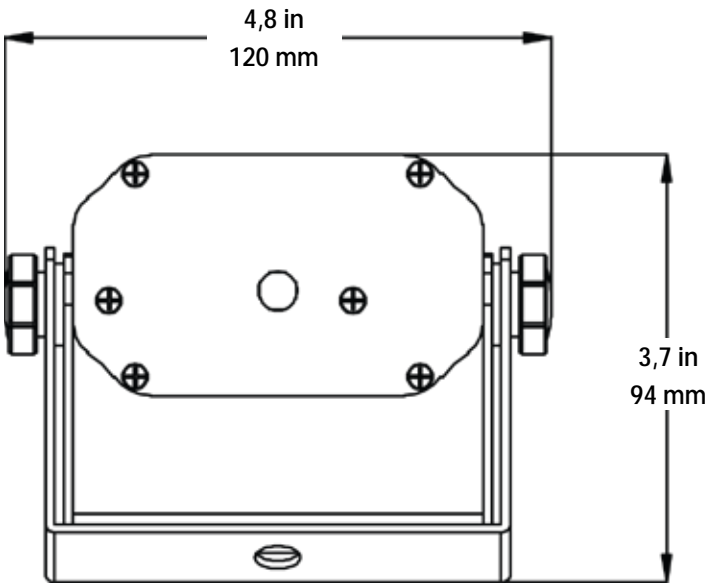
Vista del panel posterior

Máquina de niebla

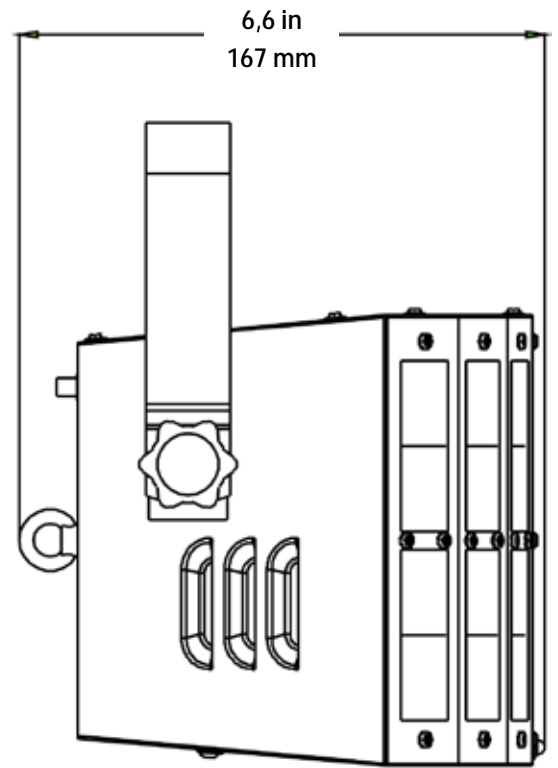
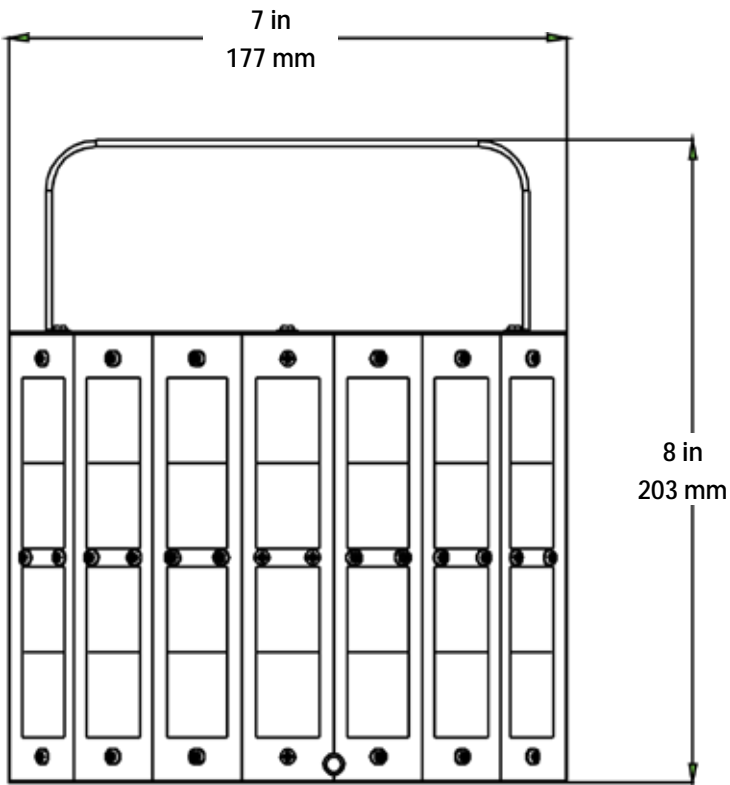


Dimensiones

Láser

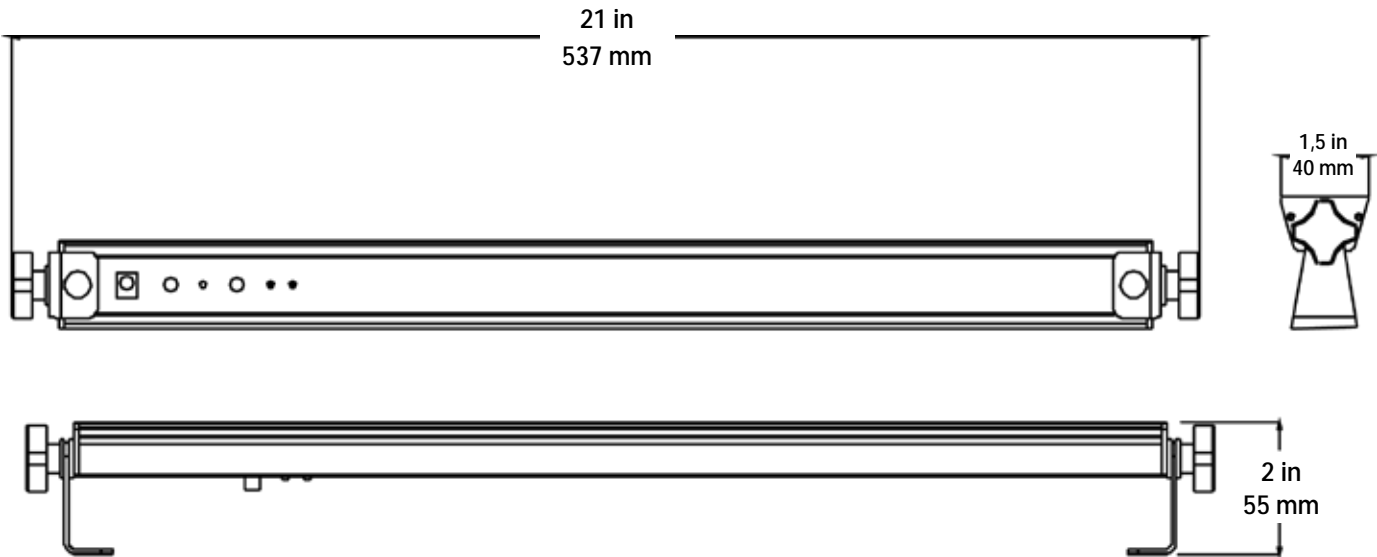


Derby

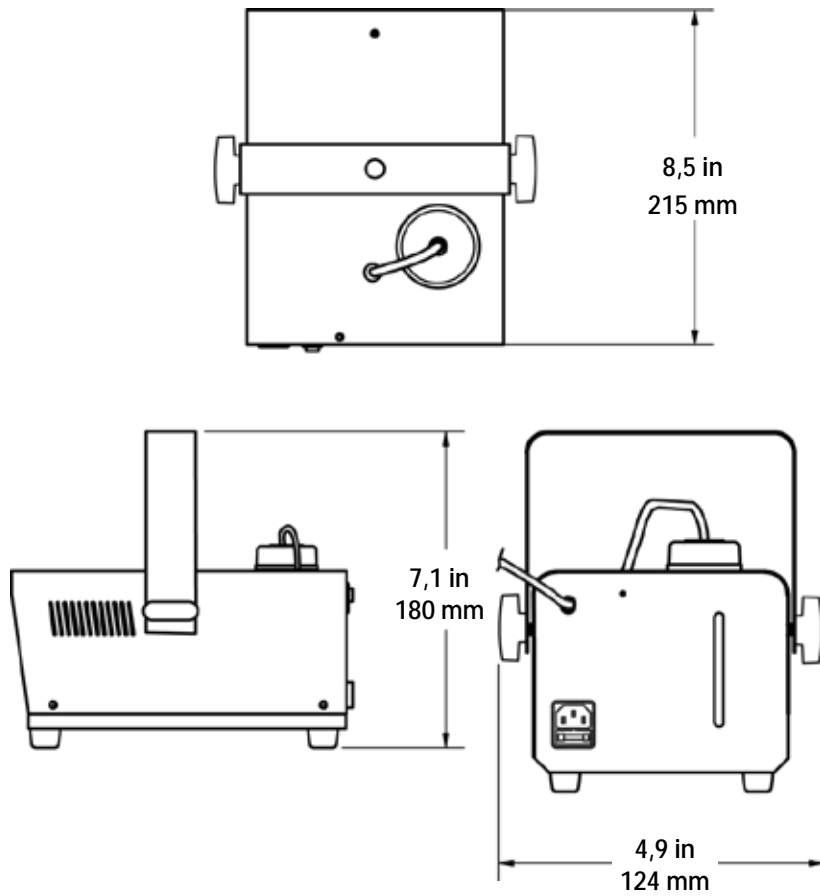


Dimensiones (cont.)

Combo UV Estroboscopio



Máquina de niebla



3. CONFIGURACIÓN

Alimentación CC de la máquina de niebla

La máquina de niebla del JAM Pack™ Gold tiene una fuente de alimentación con tensión fija y no funciona con una tensión de entrada de 120 VCA a 60 Hz.

La especificación de corriente listada indica el consumo de corriente promedio en condiciones normales.



- **Conecte siempre el producto a un circuito protegido (disyuntor o fusible). Asegúrese de que el producto tiene una toma de tierra adecuada para evitar el riesgo de electrocución o incendio.**
- **Para evitar un desgaste innecesario y alargar su vida útil, desconecte complemente el producto de la alimentación, mediante el interruptor o desenchufándolo, durante los periodos en los que no se use.**



Nunca conecte el producto a un reostato (resistor variable) o circuito de atenuación, incluso si el canal del reostato o atenuador sirve solo como conmutador 0 a 100%.

Sustitución del fusible de la máquina de niebla

1. Desconecte la máquina de niebla de la alimentación.
2. Haga cuña con la punta de un destornillador plano en la ranura del portafusibles.
3. Saque la tapa de seguridad de la carcasa.
4. Quite el fusible fundido de la sujeción en la parte frontal de la tapa de seguridad y sustituya el fusible con otro del mismo tipo y categoría.
5. Vuelva a insertar el portafusibles y conecte de nuevo la alimentación.



El producto no se entrega con un fusible de repuesto; sin embargo, la tapa de seguridad tiene sitio para un repuesto.



Sustituya siempre el fusible fundido con uno del mismo tipo y categoría.

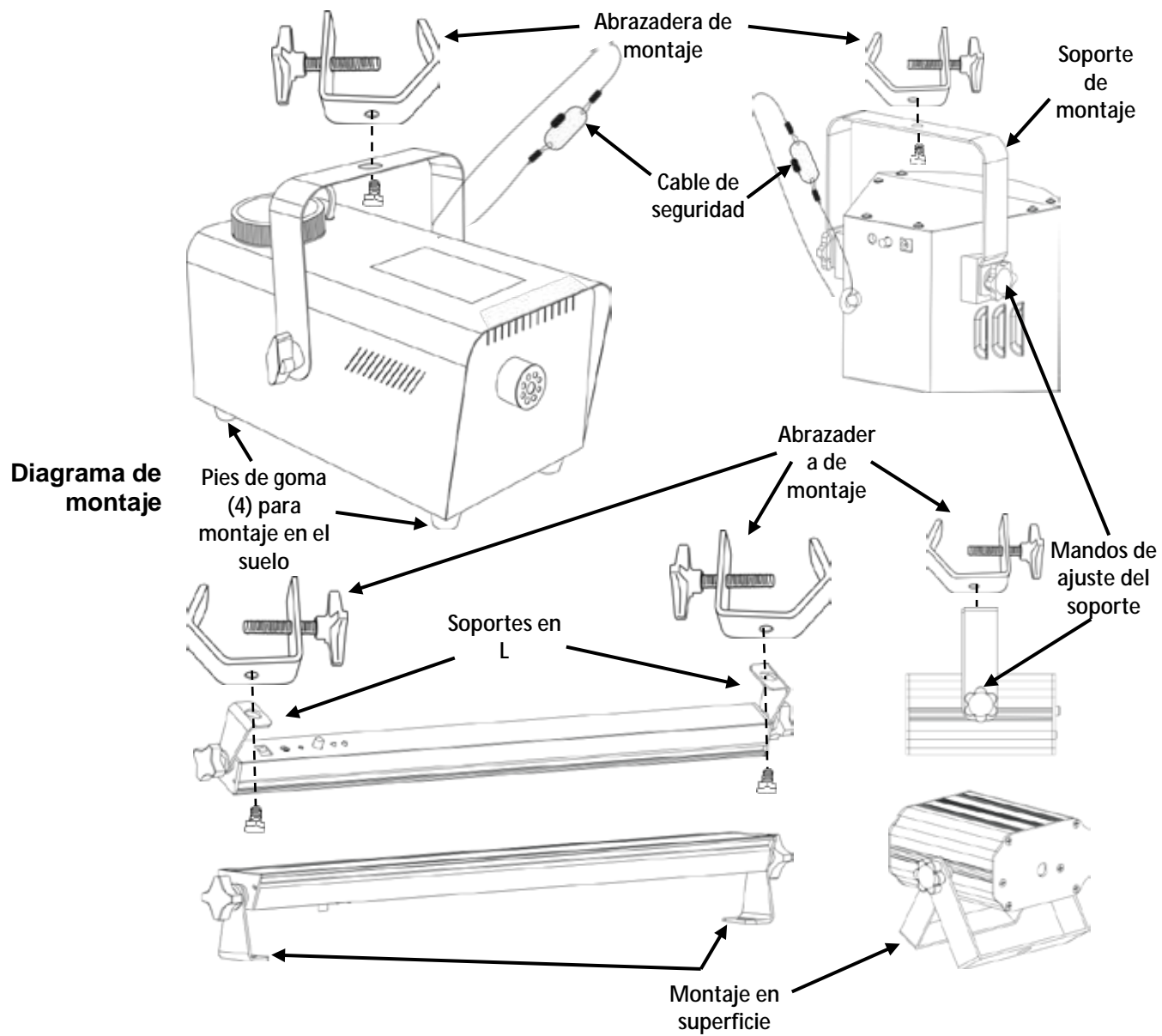
Fuentes de alimentación de CA externas

Los productos JAM Pack™ Gold (excepto la máquina de niebla) tienen una fuente de alimentación externa detección automática (autorango) y funcionan con una tensión de entrada de 100 a 240 VCA, 50/60 Hz.

Montaje Antes de montar el producto, lea y siga las recomendaciones de seguridad indicadas en las [Notas de seguridad](#). Los productos JAM Pack™ Gold se pueden montar en superficie, pero si decide montarlos en altura, usando el agujero de montaje, hágalo con tornillo, tuerca y perno, o con una abrazadera para colgar. Al colgarlo, tenga en cuenta el mantenimiento de rutina. Por favor vea las siguientes notas sobre la instalación.

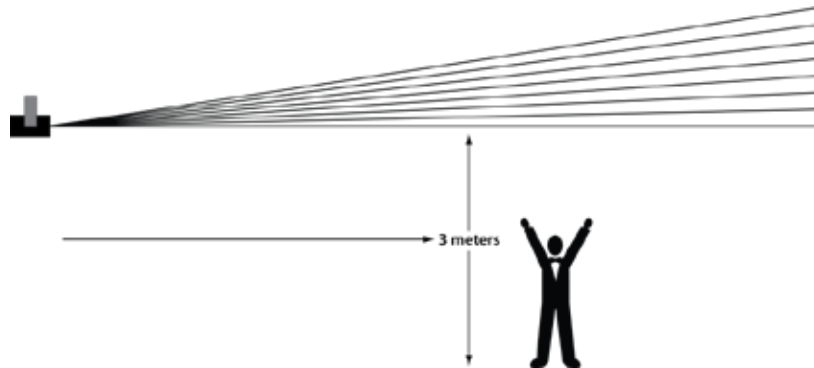
Orientación Los productos JAM Pack™ Gold se deben montar en un posición que tenga previsto el uso seguro de láser. Además, asegúrese de proporcionar una ventilación adecuada alrededor del producto.

- Instalación (anclaje)**
- Antes de decidir una ubicación para el producto, asegúrese siempre de que hay fácil acceso al producto para su mantenimiento y programación.
 - Asegúrese de que la estructura o superficie sobre la que está montando el producto puede soportar su peso (vea las [Especificaciones técnicas](#)).
 - Cuando monte este producto en alto, use siempre un cable de seguridad. Monte el producto con seguridad a un punto de anclaje, como una plataforma elevada o un *truss*.
 - Al orientar los productos, puede utilizar el(los) mando(s) de ajuste del soporte. Afloje el(los) mando(s), ajuste al ángulo deseado, y apriete entonces el(los) mando(s) girándolos en el sentido de las agujas del reloj. No utilice herramientas para este paso, ya que podría producir daños.



Uso adecuado Este producto láser es para montaje en alto solamente. Por seguridad, Chauvet recomienda montar los productos de efectos de iluminación sobre plataformas estables y elevadas, o en soportes en alto sólidos utilizando abrazaderas apropiadas para colgar. En todos los casos, utilice cables de seguridad. Obtenga el material de fijación apropiado de su proveedor de iluminación.

Las disposiciones internacionales de seguridad láser precisan que los productos de láser se manejen de la forma mostrada a continuación, con una separación vertical mínima de 3 metros (9,8 pies) entre el suelo y la luz láser más baja. Además, se requiere una separación horizontal de 3 metros entre la luz láser y los espectadores u otros espacios públicos.



¡CUIDADO! El uso de controles, ajustes o procedimientos distintos a ESTOS que se especifican EN ESTE MANUAL DE USUARIO pueden causar exposición peligrosa a la radiación.

4. FUNCIONAMIENTO

Este láser no está diseñado para un uso continuo. Asegúrese de que hace descansos regulares durante su funcionamiento para maximizar la vida de su láser. Desconecte siempre los productos JAM Pack™ Gold de la alimentación cuando no los use.

Mando a distancia con cable de la máquina de niebla

Active la máquina de niebla usando el mando a distancia con cable que va incluido. El indicador LED del mando a distancia indica cuándo la máquina de niebla ha alcanzado la temperatura de funcionamiento necesaria. Pulse el botón del mando a distancia para una emisión de niebla momentánea. La longitud del cable del mando a distancia es de 13 ft (4 m).

Funcionamiento del panel de control del estroboscopio UV

Botón	Función
<UV ON/OFF>	Apaga o enciende la luz negra UV
<STROBE MODE>	Controla el Modo estroboscopio



- El LED indicador parpadeará cuando el Modo estroboscopio esté activado
- El LED indicador luce fijo cuando está en Modo activo por sonido

Combo UV Estroboscopio Modos estroboscopio

	Función	Subopción	Estado LED
Modos estroboscopio	Muy rápido (20–30 Hz)	1 x pulsación	Parpadeo
	Rápido (10–20 Hz)	2 x pulsación	Parpadeo
	Medio (5–10 Hz)	3 x pulsación	Parpadeo
	Lento (1–5 Hz)	4 x pulsación	Parpadeo
	Muy lento (0,5–1 Hz)	5 x pulsación	Parpadeo
Apagado		6 x pulsación	Encendido estático
Modo activo por sonido		7 x pulsación	Encendido estático
Encendido estático		8 x pulsación	Encendido estático






















Funcionamiento del interruptor de control del láser

Botón	Función
<MUSIC/ON/OFF>	Conmuta entre Modo música (activo por sonido) encendido o apagado.


Mando a distancia IRC-6 (control remoto por infrarrojos)

Los productos JAM Pack™ Gold son compatibles con el mando a distancia IRC-6 de Chauvet, a excepción del láser y la máquina de niebla.

Los siguientes botones del IRC-6 se usan con los productos JAM Pack™ Gold:

	Apaga/enciende el LED		
	Selecciona el modo por sonido		
	Arranca/para el estroboscopio (0–20 Hz)		
	Selecciona el Modo automático		
	Velocidad del estroboscopio arriba o abajo		
			
	Rojo estático		
	Verde estático		
	Azul estático		
	Apaga/enciende el UV para el estroboscopio UV		
	Apaga/enciende el blanco para el estroboscopio UV		
	Rojo/Verde/Azul		Verde/Azul
	Rojo		Azul
	Rojo/Verde		Rojo/Azul
	Rojo/Verde		Rojo/Azul
	Verde		Rojo/Verde

       Sin función

 Desde la distancia, todos los productos (excepto el láser y la máquina de niebla) responderán al IRC-6 simultáneamente cuando estén muy próximos los unos de los otros. Para seleccionar remotamente un producto individual, debe apuntar con el IRC-6 solo al producto deseado.

5. INFORMACIÓN TÉCNICA

Mantenimiento general del producto

El polvo acumulado reduce el rendimiento de la salida de luz y puede provocar sobrecalentamiento. Para mantener un rendimiento óptimo, limpie el producto al menos dos veces al mes.

Sin embargo, el uso y las condiciones ambientales influyen para un aumento de la frecuencia de limpieza.

Para limpiar el producto, siga las instrucciones siguientes:

1. Desenchufe el producto de la alimentación.
2. Espere a que el producto esté a temperatura ambiente.
3. Use un aspirador (o aire seco comprimido) y un cepillo suave para quitar el polvo depositado en las superficies externas y los orificios de aireación de los ventiladores.
4. Limpie el panel transparente (apertura del láser) con una solución suave de limpiador de cristales sin amoníaco o con alcohol isopropílico.
5. Aplique la solución directamente sobre un paño suave que no deje pelusa o un paño de limpiar lentes.
6. Con suavidad, quite todo el polvo o suciedad de los bordes externos del cristal.
7. Frote suavemente las superficie transparente hasta que no quede turbiedad ni pelusas.



Seque siempre con cuidado las superficies ópticas después de limpiarlas.



No gire el ventilador de refrigeración usando aire comprimido, puesto que podría estropearlo.

No permita que la máquina de niebla se atasque. Tras 40 horas de funcionamiento continuo, utilice el cuarto de galón de limpiador de niebla (FCQ) CHAUVET® por todo el sistema para evitar la acumulación de partículas sólidas en el elemento calentador.

El procedimiento de limpieza recomendado es el siguiente:

1. Desenchufe el producto de la alimentación.
2. Vacíe todo el fluido de niebla de la máquina.
3. Agregue solución limpiadora al depósito.
4. Conecte el producto a la alimentación y deje que se caliente.
5. Ponga en marcha la unidad en una zona bien ventilada hasta que el depósito esté casi vacío. No permita que bomba funcione en seco.
6. Vuelva a llenar con líquido de niebla para continuar usando la máquina de niebla. Ponga en marcha brevemente la máquina para quitar cualquier resto de solución limpiadora de la bomba y del calentador.

Mantenimiento de la máquina de niebla



No haga funcionar la máquina sin fluido en ningún momento.



El FCQ (cuarto de galón de limpiador de niebla) ha sido especialmente desarrollado por Chauvet para limpiar su Hurricane™ 700. Cerciórese de que usa FCQ con regularidad, no dejando más de 90 días entre limpiezas, para aumentar la vida útil de su máquina de niebla.

Almacenamiento

Antes de guardar su máquina de niebla, haga circular FCQ por el sistema como se indica en el procedimiento de limpieza de más arriba; sin embargo, siga solo los pasos 1 al 5. **No vuelva a llenar el depósito con fluido de niebla si va a guardar la máquina de niebla.** Limpiar el sistema antes de guardarlo ayudará a evitar que se condensen partículas dentro de la bomba o del calentador mientras no se usan.



Haga una puesta en marcha de prueba de su máquina de niebla mensualmente para obtener el mejor rendimiento.

6. RESOLUCIÓN GENERAL DE PROBLEMAS DE LA MÁQUINA DE NIEBLA

Síntoma	Causa posible	Acción posible
No hay emisión o la máquina de niebla arroja fluido	Fluido incorrecto	Limpie a conciencia con CHAUVET® FCQ. Para instrucciones completas, consulte Mantenimiento de la máquina de niebla . Rellene con fluido de niebla a base de agua CHAUVET®.
	Tubería bloqueada o pieza averiada	Póngase en contacto con el servicio de atención al cliente
Disyuntor o fusible siguen saltando	Excesiva carga del circuito	Asegúrese de que la carga total no exceda el 80% de la intensidad nominal del disyuntor o fusible
	Cortocircuito en los conductores de alimentación	Compruebe los conductores y cables de alimentación
Producto no se enciende	No hay energía en la toma de corriente	Compruebe la toma de corriente Cambie a otra toma
	Cable de alimentación aflojado o dañado	Compruebe el cable de alimentación
	Fusible fundido	Sustituya el fusible fundido con uno nuevo del mismo tipo y categoría
	Problema interno	Envíe producto para su reparación
El producto deja de bombear/ Ruido fuerte	Fluido bajo/Sin fluido	Rellene el producto con fluido
	Sistema de protección de la bomba activado	Suelte el botón de niebla manual y púselo otra vez para reiniciar el sistema de protección de la bomba



Si sigue teniendo problemas después de probar las soluciones que se indican aquí, póngase en contacto con el servicio técnico de Chauvet. Vea [Contacto](#).

7. ESPECIFICACIONES TÉCNICAS

Dimensiones y peso

JAM Pack™ Gold

	láser	Máquina de niebla	Derby	UV Estroboscopio
	Longitud	Longitud	Longitud	Longitud
	4 in (101 mm)	8,5 in (215 mm)	6,6 in (167 mm)	21 in (537 mm)
	Anchura	Anchura	Anchura	Anchura
	4,8 in (120 mm)	4,9 in (124 mm)	7 in (177 mm)	1,5 in (40 mm)
	Altura	Altura	Altura	Altura
	3,7 in (94 mm)	7,1 in (180 mm)	8 in (203 mm)	2" (55 mm)
	Peso	Peso	Peso	Peso
	0,6 lb	4 lb	2,4 lb	0,6 lb

Nota: Las dimensiones en pulgadas están redondeadas al dígito decimal más próximo.

Alimentación

Valor	Láser, Derby, Estroboscopio UV	Fuente de alimentación externa	Máquina de niebla		
Tensión de entrada	Fija	Conmutación	Fija		
Rango	12 VCC 1 A	100–240 VCA, 50/60 Hz	120 VCA 60 Hz		
Selección de tensión	Fija	Detección automática (autorango)	Fija		
	Parámetro (120 V, 60 Hz)	Máquina de niebla	Derby	Láser	Estroboscopio UV
	Consumo	471 W	10 W	4 W	12 W
	Corriente de funcionamiento	3,9 A	150 mA	68 mA	180 mA
	Fusible	F 5 A, 250 V	N/A	N/A	N/A

Máquina de niebla

E/S alimentación	US/Mundial
Conector de entrada de alimentación	IEC
Enchufe de cable de alimentación	Edison (EE. UU.)

Láser, Derby y Estroboscopio UV

E/S alimentación	US/Mundial
Conector de entrada de alimentación	Entrada alimentación CC
Unidad de fuente de alimentación	Adaptador 12 VCC CA

Fuente de luz

Láser	Tipo	Alimentación	Longitud de onda
	Láser (verde)	30 mW	532 nm
	Láser (rojo)	100 mW	650 nm

LED

Derby	Tipo	Alimentación	Duración
	LED	6 W	50.000 horas
	Color	Cantidad	Intensidad
	Rojo	1	1,76 A
	Verde	1	1,76 A
	Azul	1	1,76 A
Estroboscopio UV	Tipo	Alimentación	Vida útil
	LED (CW)	600 mW	50.000 horas
	LED (UV)	1,05 W	50.000 horas
	Color	Cantidad	Intensidad
	Blanco	4	190 mA
	UV	5	310 mA

JAM Pack™ Gold (cont.)

Máquina de niebla

Funcionamiento/Capacidad/Consumo	Tiempo de calentamiento	Capacidad del depósito	Consumo de fluido
	2,5 min	0,2 gal (0,6 l)	7,5 ml/min

Varios	Salida
	1.500 pcm

Mando a distancia con cable	Longitud
	13 pies (4 m)

Térmicas

Temp. externa máxima general	Temp. externa máxima del láser	Sistema de refrigeración
104 °F (40 °C)	90 °F (35 °C)	Por ventilador y convección

Pedidos

Nombre de producto	Código de artículo	Código UPC
JAM Pack™ Gold	10050956	781462213046



DEVOLUCIONES

En caso de que necesite asistencia o devolver un producto:

- Si se encuentra en EE. UU., póngase en contacto con la Oficina Central de Chauvet.
- Si se encuentra en el Reino Unido o Irlanda, póngase en contacto con Chauvet Europe Ltd.
- Si se encuentra en México, póngase en contacto con Chauvet Mexico.
- Si se encuentra en Benelux, póngase en contacto con Chauvet Europe BVBA.
- Si se encuentra en cualquier otro país, NO contacte con Chauvet. Contacte con su distribuidor local. Vea www.chauvetlighting.com para distribuidores fuera de EE.UU., Reino Unido, Irlanda, México o Benelux.



Si se encuentra fuera de los EE.UU., Reino Unido, Irlanda, México o Benelux, póngase en contacto con su distribuidor de registro y siga sus instrucciones sobre cómo devolverle a ellos los productos CHAUVET®. Visite www.chauvetlighting.com para detalles de contacto.

Llame a la oficina de Asistencia Técnica Chauvet correspondiente y pida un número de Autorización de Devolución de la mercancía (RMA) antes de enviar el producto. Esté preparado para proporcionar el número de modelo, número de serie y una breve descripción de la causa de la devolución.

Envíe la mercancía a portes pagados, en su caja original y con su embalaje y accesorios originales. Chauvet no expedirá etiquetas de devolución.

Etiquete el paquete claramente con el número de RMA. Chauvet rechazará cualquier producto devuelto sin un número de RMA.



Escriba el número de RMA en una etiqueta convenientemente adherida. NO escriba el número de RMA directamente sobre la caja.

Antes de enviar el producto, escriba claramente la siguiente información en una hoja de papel y colóquela dentro de la caja:

- Su nombre
- Su dirección
- Su número de teléfono
- Número de RMA
- Una breve descripción del problema

Asegúrese de que empaqueta el producto adecuadamente. Cualquier daño en el transporte que resulte de un empaquetado inadecuado será responsabilidad suya. Se recomienda empaquetado FedEx o de doble caja.



Chauvet se reserva el derecho de usar su propio criterio para reparar o reemplazar productos devueltos.

CONTACTO

OFICINA CENTRAL - Chauvet

Información General

Dirección: 5200 NW 108th Avenue
Sunrise, FL 33351
Voz: (954) 577-4455
Fax: (954) 929-5560
Número Gratuito: (800) 762-1084

Servicio Técnico

Voz: (954) 577-4455 (Marque 4)
Fax: (954) 756-8015
Email: tech@chauvetlighting.com

World Wide Web

www.chauvetlighting.com

REINO UNIDO E IRLANDA - Chauvet Europe Ltd.

Información General

Dirección: Unit 1C
Brookhill Road Industrial Estate
Pinxton, Nottingham, UK
NG16 6NT
Voz: +44 (0)1773 511115
Fax: +44 (0)1773 511110

Servicio Técnico

Email: uktech@chauvetlighting.com

World Wide Web www.chauvetlighting.com

MÉXICO - Chauvet Mexico

Información General

Dirección: Av. Santa Ana 30
Parque Industrial Lerma
Lerma, Mexico C.P. 52000
Voz: +52 (728) 285-5000

Servicio Técnico

Email: servicio@chauvet.com.mx

World Wide Web www.chauvet.com.mx

CHAUVET EUROPE - Chauvet Europe BVBA

General Information

Dirección: Stokstraat 18
9770 Kruishoutem
Belgium
Voz: +32 9 388 93 97

General Information

Address: Stokstraat 18
9770 Kruishoutem
Belgium
Voice: +32 9 388 93 97

Fuera de EE.UU., Reino Unido, Irlanda, México, o Benelux póngase en contacto con su **proveedor**. Siga sus instrucciones para pedir soporte o para devolver un producto. Visite www.chauvetlighting.com para detalles de contacto.

1. AVANT DE COMMENCER

- Contenu**
- Laser
 - Derby
 - Machine à brouillard
 - Combo lampe UV/stroboscope
 - Télécommande IRC-6
 - Cordon d'alimentation
 - 3 alimentations
 - Liquide à brouillard CHAUVET® (FJP)
 - Fiche de garantie
 - Manuel d'utilisation

Description Le JAM Pack™ Gold "Just Add Music" (il suffit d'ajouter de la musique) est le système tout-en-un ultime pour les fêtes et est composé des appareils suivants.

- Un laser à lumière bicolore qui crée un motif rouge et vert dynamique aussi bien en mode automatique qu'en mode d'activation par le son.
- Une lumière tricolore de type derby avec des LEDs haute puissance rouges, vertes et bleues logées derrière 28 lentilles. La vitesse moteur contrôlable avec la télécommande IRC-6 et les programmes automatiques ou programmes d'activation par le son permettent à n'importe qui de créer un divertissement en un instant.
- Une machine à brouillard compacte émettant d'épais jets de brouillard à base d'eau permet d'améliorer les spectacles de lumières. Une recharge de liquide à brouillard à base d'eau est incluse pour permettre une utilisation immédiate.
- Une lumière combo wash UV/stroboscope incorporée dans une bande de lumière noire pouvant émettre une vive lumière blanche en mode stroboscope tout en conservant une lumière de type wash UV du plus bel effet. Vous pouvez changer manuellement la vitesse du stroboscope ou bien le passer en mode automatique ou d'activation par le son. Compatible également avec la télécommande IRC-6.

Instructions de déballage Déballer avec précaution et sans attendre l'appareil et vérifiez la boîte pour vous assurer que tous les éléments se trouvent dans l'emballage et ne présentent aucun dommage.




Réclamations Si l'emballage ou le contenu (l'appareil et les accessoires livrés avec) semble avoir été endommagé pendant le transport, ou s'il présente des signes de manipulation sans précaution, veuillez dès réception en notifier immédiatement le transporteur et non Chauvet. Ne pas enregistrer votre réclamation auprès du transporteur en temps et en heure peut entraîner une invalidation de celle-ci. Gardez l'emballage et tous les matériaux d'emballage pour inspection.

Pour tout autre problème comme la non livraison de pièces ou composants, des dommages non en rapport avec la livraison ou des vices cachés, veuillez déposer votre réclamation auprès de Chauvet dans les 7 jours suivant la livraison.

Conventions manuelles

Convention	Signification
1–512	Une plage de valeurs
50/60	Un ensemble de valeurs parmi lesquelles on ne peut en choisir qu'une
Settings	Une option de menu à ne pas modifier
Menu > Settings	Une séquence d'options de menu à suivre
<ENTER>	Un bouton sur lequel appuyer sur le panneau de commande de l'appareil
ON	Une valeur à saisir ou à sélectionner

Symboles

Symbole	Signification
	Consignes importantes en matière d'installation, de configuration et de fonctionnement. Le non-respect de ces consignes peut entraîner le non fonctionnement de l'appareil ou l'endommager. De même, l'utilisateur pourrait s'en trouver affecté.
	Consignes importantes en matière d'installation ou de configuration. Le produit peut ne pas fonctionner correctement si ces instructions ne sont pas suivies.
	Information utile.

Consignes de Sécurité

Les consignes de sécurité comprennent des informations importantes sur la sécurité des systèmes laser. Veuillez lire et bien comprendre toutes les instructions avant d'allumer le laser pour la première fois. La connaissance de ces consignes de sécurité est cruciale pour éviter toute blessure aux yeux par un laser et pour ne pas enfreindre la loi. Veuillez conserver ce manuel d'utilisation dans un lieu sûr pour vous y référer ultérieurement.

LIRE L'INTÉGRALITÉ DES DONNÉES DE SÉCURITÉ DES LASERS AVANT DE CONTINUER



- Les lasers peuvent être dangereux et nécessitent des précautions de sécurité spécifiques. En cas de mauvaise utilisation de lasers, il y a des risques de lésions oculaires permanentes et de cécité. Portez une attention particulière à chaque REMARQUE de sécurité et chaque déclaration d'AVERTISSEMENT dans ce manuel de l'utilisateur. Lisez toutes les instructions avec soin AVANT d'utiliser cet appareil.
- Toujours connecter l'appareil à un circuit à la terre pour éviter les risques d'électrocution.
- Toujours débrancher l'appareil de la source d'alimentation avant de le nettoyer.
- Évitez tout contact visuel direct avec la source lumineuse quand cet appareil est en marche.
- Veillez à ce que le cordon d'alimentation ne soit jamais pincé ou endommagé.
- Ne débranchez jamais cet appareil en tirant sur le cordon d'alimentation.
- En cas de montage de l'appareil en hauteur, veillez à toujours le fixer à un dispositif d'attache à l'aide d'un câble de sécurité.
- Veillez à ce qu'il ne se trouve jamais à proximité d'aucun matériel inflammable lorsqu'il est en fonctionnement.
- Ne touchez pas le boîtier de l'appareil lorsqu'il est en fonctionnement, celui-ci pouvant être très chaud.

- Cet appareil n'est pas adapté pour une installation permanente.
- Assurez-vous toujours que la tension de la source d'énergie à laquelle est connecté l'appareil est dans la fourchette indiquée sur l'étiquette ou sur le panneau arrière de l'appareil.
- Cet appareil doit uniquement être utilisé en intérieur. (IP20) Afin d'éviter tout risque d'incendie ou de décharge électrique, veillez à n'exposer cet appareil ni à la pluie ni à l'humidité.
- Installez toujours cet appareil dans un endroit bien ventilé à au moins 50 cm (20 po) des surfaces adjacentes.
- Assurez-vous qu'aucune fente de ventilation sur le boîtier n'est obstruée.
- Ne connectez jamais l'appareil à un variateur.
- Utilisez toujours le support de fixation pour transporter l'appareil.
- Ne pas éteindre/allumer l'appareil rapidement de manière répétée. Cela a pour effet de réduire la durée de vie de la diode laser.
- Ne pas secouer cet appareil. Évitez toute force brute lors du montage ou de l'utilisation de cet appareil.
- TOUJOURS utiliser un câble de sécurité lors du montage de l'appareil en hauteur.
- La température ambiante maximum pour la lampe à effet derby, le stroboscope UV et la machine à brouillard est de 40 °C (104 °F). Ne faites pas fonctionner ces appareils à des températures plus élevées.
- La plage de température ambiante de fonctionnement pour le laser est de 15 °C à 35 °C (59 °F à 95 °F). Ne faites pas fonctionner cet appareil à des températures en dehors de cette plage.
- En cas de sérieux problèmes de fonctionnement, arrêtez l'appareil immédiatement.
- N'essayez jamais de réparer l'appareil vous-même. Toute réparation effectuée par une personne non qualifiée peut entraîner des dommages ou un fonctionnement erratique de l'appareil. Mettez-vous en relation avec le centre d'assistance technique autorisé le plus près de chez vous.
- Ne pas utiliser à des fins de chauffage.
- N'utilisez que du liquide à brouillard à base d'eau de marque CHAUVET®.
- Videz le réservoir avant de transporter l'appareil.
- Durant les périodes de non-utilisation, pour éviter toute usure inutile et pour prolonger leur durée de vie, déconnectez entièrement les appareils en les débranchant de l'alimentation électrique ou en coupant le disjoncteur.



La solution de nettoyage FCQ (Fog Cleaner Quart) a été spécialement développée par Chauvet pour le nettoyage de votre machine à brouillard. Nettoyez fréquemment votre produit avec la solution de nettoyage FCQ pour augmenter sa durée de vie.



ATTENTION ! L'utilisation de commandes, réglages ou procédures autres que CEUX spécifiés DANS CE MANUEL DE L'UTILISATEUR peut entraîner une exposition à des rayonnements dangereux.



- Évitez tout contact visuel direct avec la lumière laser. Ne jamais exposer volontairement vos yeux ou ceux d'autres personnes directement à la lumière laser.
- Cet appareil à laser peut potentiellement causer instantanément des blessures aux yeux ou la cécité si la lumière laser rentre directement en contact avec les yeux.
- Il est illégal et dangereux de diriger ce laser vers des zones d'audience dans lesquelles le public ou d'autres personnes pourraient recevoir directement des rayons laser ou des réflexions lumineuses dans leurs yeux.
- Diriger un laser sur un avion est considéré comme une infraction fédérale.
- L'utilisation de commandes, réglages ou procédures autres que ceux spécifiés dans ce manuel de l'utilisateur peut entraîner une exposition à des rayonnements dangereux.
- **NE PAS essayer d'effectuer des réparations. Les réparations et l'entretien doivent être effectués par un technicien certifié. Les modifications non autorisées sont interdites pour des raisons de sécurité !**



- **Veillez conserver ce manuel de l'utilisateur pour vous y référer ultérieurement. En cas de transfert de propriété de l'appareil à un autre utilisateur, assurez-vous que ce document soit conservé avec le laser.**

Avertissement de boîtier non- verrouillé

- Cet appareil renferme des dispositifs laser de haute puissance.
- Ne pas ouvrir le boîtier du laser, en raison de l'exposition potentielle à des niveaux dangereux de rayonnement laser.
- Les niveaux de puissance de laser, accessibles si l'appareil est ouvert, peuvent causer instantanément la cécité, des brûlures de la peau et des incendies.

Consignes de Sécurité des lasers

LIRE L'INTÉGRALITÉ DES CONSIGNES DE SÉCURITÉ DES LASERS AVANT DE CONTINUER



La lumière laser est différente de toutes les autres lumières. La lumière laser peut causer des blessures aux yeux s'il n'est pas installé et utilisé correctement. La lumière laser est plusieurs milliers de fois plus concentrée que tout autre type de lumière. Cette concentration peut provoquer des lésions oculaires instantanés, principalement par la combustion de la rétine (la partie sensible à la lumière à l'arrière de l'œil). La chaleur d'une lumière laser ne peut pas être ressentie mais elle peut néanmoins blesser ou rendre aveugle les utilisateurs de l'appareil et le public. Même de très petites quantités de lumière laser sur de longues distances sont potentiellement dangereuses.

NE PAS penser que l'exposition à un faisceau laser est sans danger, même si ce n'est qu'une petite déviation d'un faisceau plus large. Cet appareil à laser utilise des dizaines de milliwatts de puissance laser (niveaux internes classe 3B) avant de les séparer en plusieurs faisceaux (niveaux classe 3R). Chacun des faisceaux laser de classe 3R est potentiellement dangereux pour les yeux.

NE SUPPOSEZ PAS qu'une lumière laser en mouvement est sans danger. Une lumière laser n'est jamais sans risque. Les lésions oculaires peuvent survenir en un instant, il est donc vital de faire tout le nécessaire pour éviter toute exposition directe de l'œil. Conformément à la réglementation en matière de sécurité laser, il est illégal de diriger des lasers de classe 3R dans des zones où des personnes peuvent être exposées, même si le laser est dirigé en-dessous du visage des personnes, par exemple une piste de danse.



- Ne pas faire fonctionner le laser sans avoir lu et bien compris toutes les données techniques et de sécurité de ce manuel.
- TOUJOURS configurer et installer tous les effets de laser afin que toute lumière laser soit à au moins 3 mètres (9,8 pieds) au-dessus du sol sur lequel les gens peuvent se tenir debout. Voir la section [Utilisation appropriée](#) de ce manuel.
- Après l'installation, et avant l'usage en public, testez les lasers pour vous assurer de leur bon fonctionnement. Ne par utiliser l'appareil si un défaut est détecté.
- NE PAS utiliser le laser s'il n'émet qu'un ou deux faisceaux au lieu de plusieurs dizaines/centaines, car cela indique des dommages au réseau de diffraction optique, ce qui permet une émission de laser d'un niveau supérieur à la classe 3R.
- NE PAS pointer des lasers sur des personnes ou des animaux.
- NE PAS regarder dans l'ouverture laser ou dans les faisceaux laser.
- NE PAS diriger des lasers vers des zones où des personnes pourraient y être exposées.
- NE PAS pointer des lasers vers des surfaces très réfléchissantes telles que des fenêtres, des miroirs et le métal brillant. Les réflexions de laser peuvent également être dangereuses.
- Ne jamais pointer un laser sur un avion, cela étant considéré comme une infraction fédérale.
- Ne jamais pointer une faisceau laser non terminé vers le ciel.
- Ne pas exposer l'optique de sortie (ouverture) à des produits chimiques de nettoyage agressifs.
- Ne pas utiliser le laser si le boîtier est endommagé, ouvert, ou si les optiques apparaissent endommagées de quelque manière que ce soit.
- Ne jamais ouvrir le boîtier du laser. Les niveaux élevés de puissance de laser à l'intérieur du boîtier de protection peuvent provoquer des incendies ou brûler la peau, et peuvent provoquer des blessures instantanées aux yeux.
- Ne laissez jamais ce produit fonctionner sans surveillance.
- Le fonctionnement d'un show laser de classe 3R n'est autorisé que si les lasers sont contrôlés par un professionnel qualifié, convenablement formé et ayant pris connaissance des données présentes dans ce manuel.
- Les exigences légales pour l'utilisation d'appareils de divertissement à laser varient d'un pays à l'autre. L'utilisateur est responsable des exigences légales dans l'emplacement / le pays d'utilisation.

ATTENTION ! NE PAS utiliser cet appareil de manière contraire à ce qui est spécifié dans ce manuel de l'utilisateur. Le non-respect de ces instructions annule la garantie, peut endommager le produit ou blesser l'utilisateur ou le public.



ATTENTION ! Ce produit ne peut pas être jeté avec les ordures ménagères. Veuillez contacter votre service de gestion des déchets pour la réglementation locale concernant l'élimination des produits électroniques dans votre région.

Clause de non Responsabilité

Les informations et caractéristiques contenues dans ce manuel sont sujettes à changement sans préavis. Chauvet ne sera être tenu responsable pour toute erreur ou omission pouvant être contenue dans ce manuel. De plus Chauvet se réserve le droit de revoir ou réécrire ce manuel à tout moment. Téléchargez la dernière version de ce manuel sur <http://www.chauvetlighting.com/product-manuals-literature/>.

© Copyright 2015 Chauvet. Tous droits réservés.

Imprimé en Chine

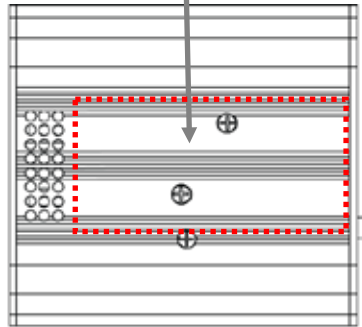
Publié électroniquement par Chauvet aux États-Unis.

Auteur	Date	Éditeur	Date
R. Isenstadt	26/03/2015	M. Trouard	13/05/15

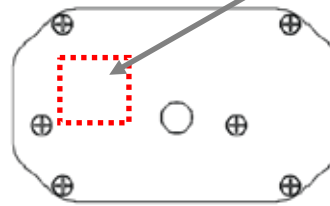
Reproduction de l'étiquette de sécurité laser

 <p>LASER LIGHT AVOID DIRECT EYE EXPOSURE CLASS 3R LASER PRODUCT 30 mW, 532 nm / 100 mW, 650 nm Classified per EN/IEC 60825-1:2007</p>	
<p>CHAUVET WORLDWIDE HEADQUARTERS SUNRISE, FLORIDA USA</p> <p>CHAUVET  </p>	
MODEL:	JAMPACKGOLD (laser)
TYPE:	THIS APPLIANCE MUST BE GROUNDING. CETTE UNITE DOIT ETRE RELIEE A LA TERRE. THIS FIXTURE HAS NO REPLACEABLE FUSE. CET APPAREIL N'A PAS FUSIBLE REMPLACABLE.
ITEM CODE:	10050 06
INPUT VOLTAGE:	12 VOLT, 1 A
LIGHT SOURCE:	LASER
ORIGIN:	MADE IN P.R.C.
USA/CANADA Power AC: 100-125 V, 60 Hz, 0.068 A, 1 W	WORLDWIDE Power AC: 100-240 V, 50/60 Hz, 0.042 A, 4 W

Bas

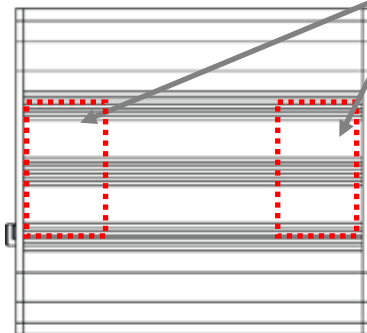


LASER APERTURE

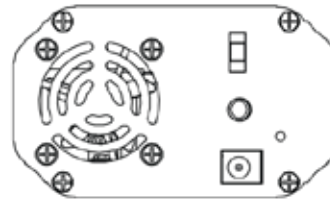


Avant

CAUTION
CLASS 3B LASER LIGHT WHEN OPEN
AVOID EXPOSURE TO THE BEAM



Haut



Arrière

**Avertissement
d'exposition au
laser**



LUMIERE LASER ÉVITER L'EXPOSITION DIRECTE DES YEUX

D'autres lignes directrices et programmes de sécurité pour une utilisation sans risque des lasers peuvent être trouvés dans la norme ANSI Z136.1 "Pour l'utilisation sans risque des lasers", disponible auprès du Laser Institute of America. www.laserinstitute.org. De nombreux gouvernements locaux, entreprises, institutions, militaires et autres, exigent que tous les lasers soient utilisés dans le respect des directives de la norme ANSI Z136.1. Une aide pour l'affichage des laser peut être obtenue par l'intermédiaire de l'ILDA (International Laser Display Association) : www.laserist.org.

**Données
d'émission laser**

Tel que mesuré dans
les conditions de
mesure de la CEI pour
la classification

Classification laser	Class 3R
Milieu laser vert	DPSS Nd:YVO4, 532 nm/30 mW
Milieu laser rouge	LD GaAlAs, 650 nm/100 mW
Diamètre du faisceau	<5 mm à l'ouverture
Données de pulsation	Toutes les pulsations < 4 Hz (>0.25 sec)
Divergence (chaque faisceau)	<2 mrad
Divergence (lumière totale)	<160 degrés
Puissance laser de chaque faisceau au niveau de l'ouverture	<5 mW

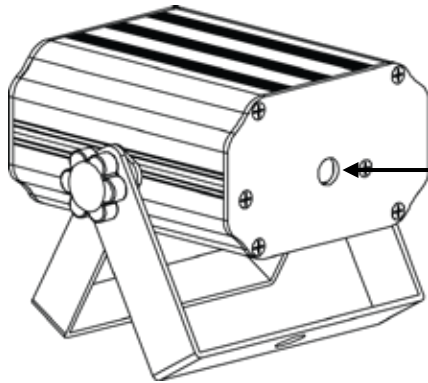
**Déclaration de
conformité laser**

Ce produit laser est conforme à la norme EN/CEI 60825-1 Ed 2, 2007-03, et à la FDA/CDRH FLPPS en vertu des dispositions de l'avis Laser n°50 du 24 Juin 2007. Ce dispositif laser est de classe 3R. (La classe 3R est l'équivalent international de la classe III. américaine.) Aucun entretien n'est nécessaire pour conserver ce produit dans le respect des normes de performance de laser.

2. INTRODUCTION

Vue d'ensemble

Laser

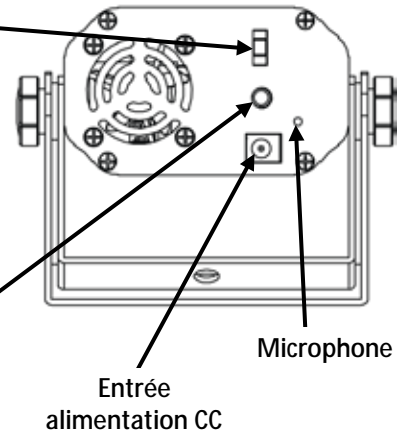


Vue avant

Commutateur
Musique/Marche/Arrêt

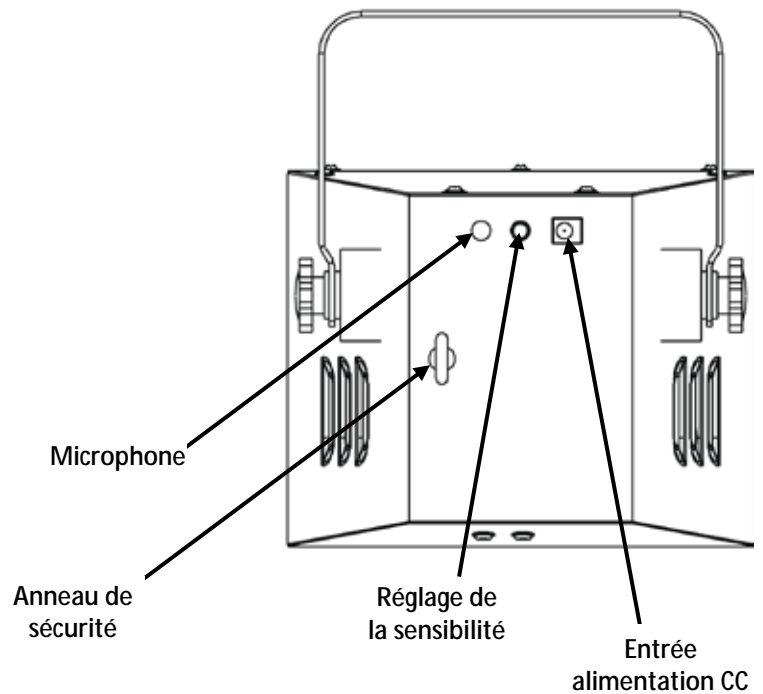
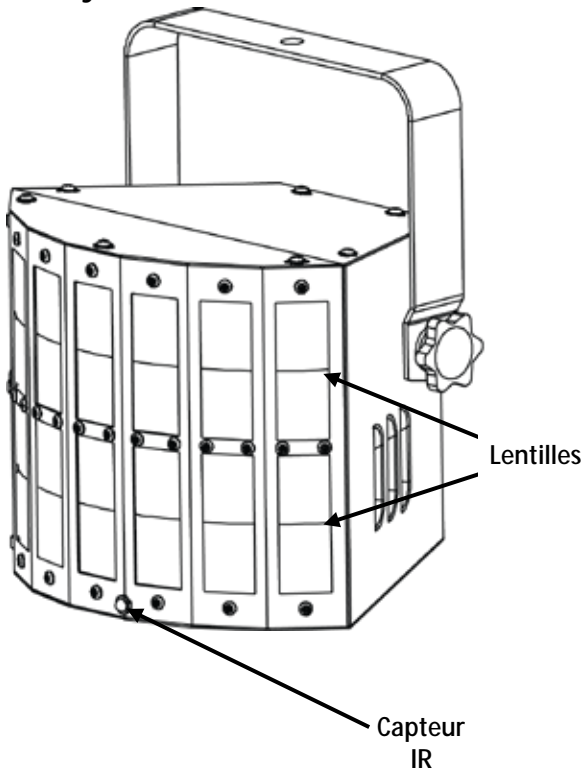
Ouverture
du laser

Réglage de la
vitesse du
moteur



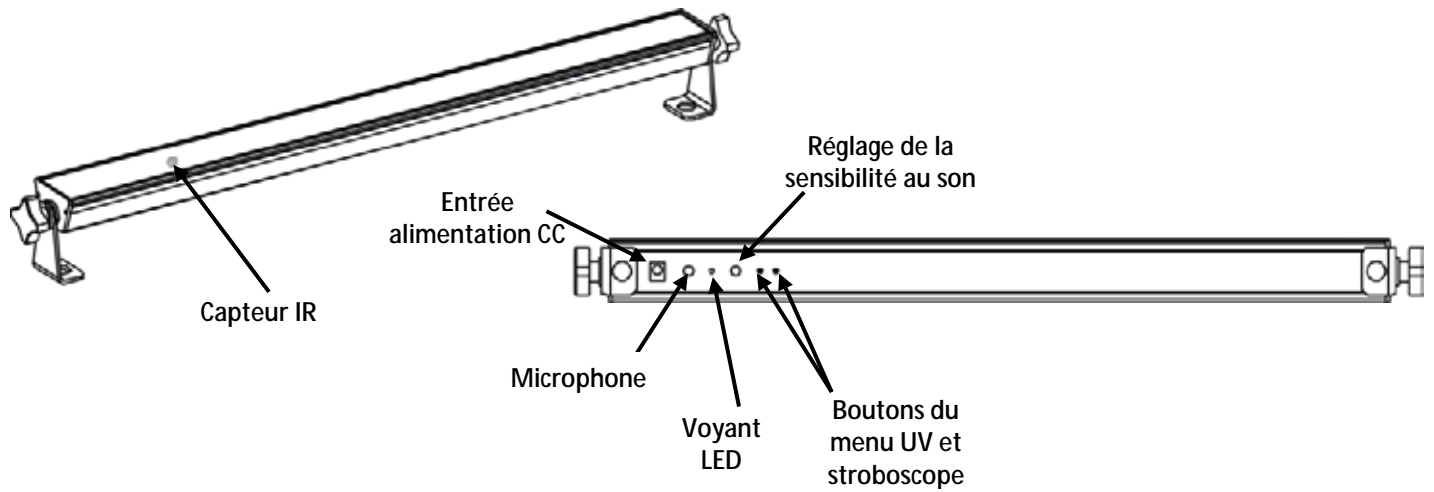
Vue du panneau
arrière

Derby



Vue d'ensemble (Suite)

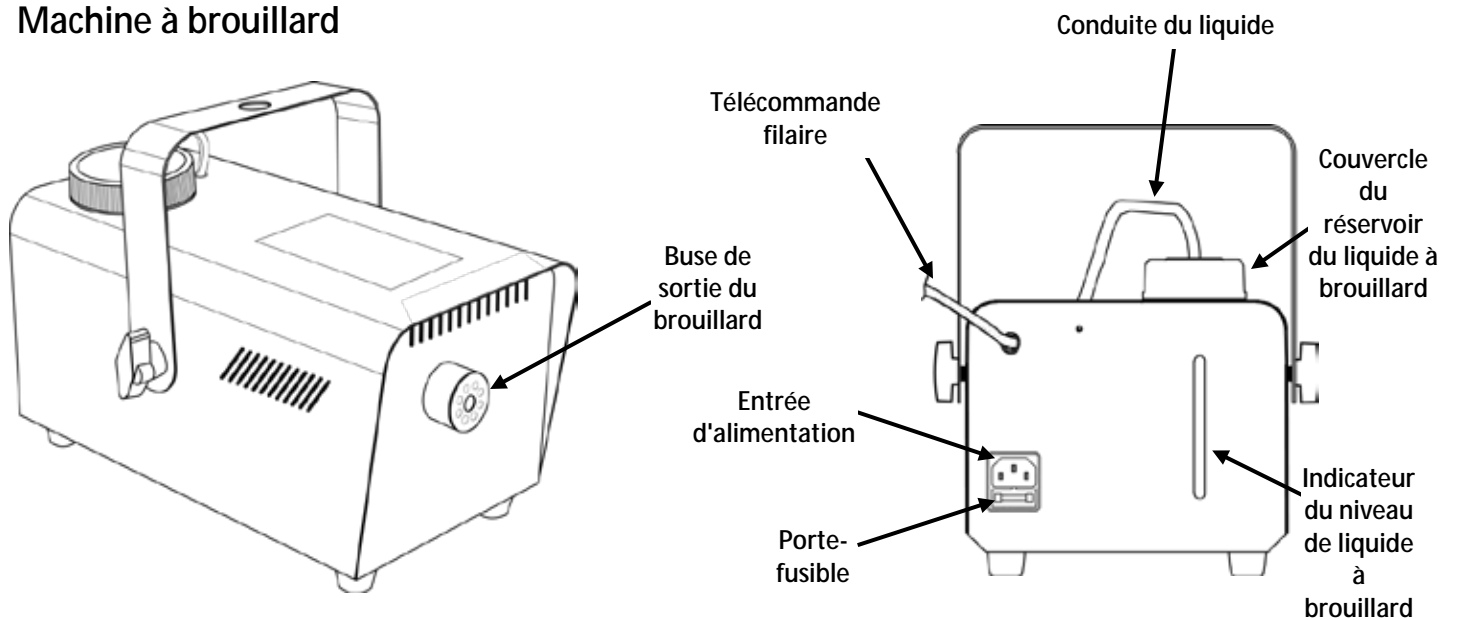
Combo lampe UV/stroboscope



Vue avant

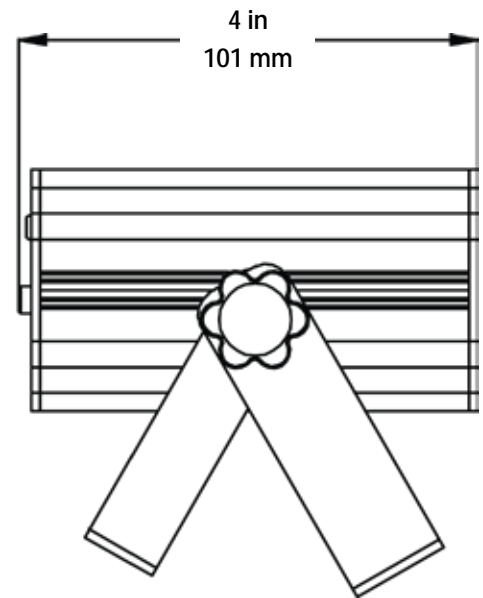
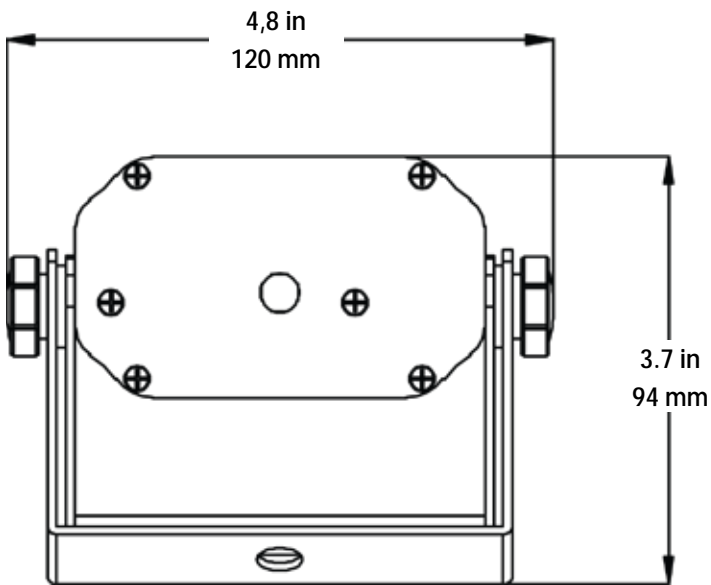
Vue du panneau arrière

Machine à brouillard

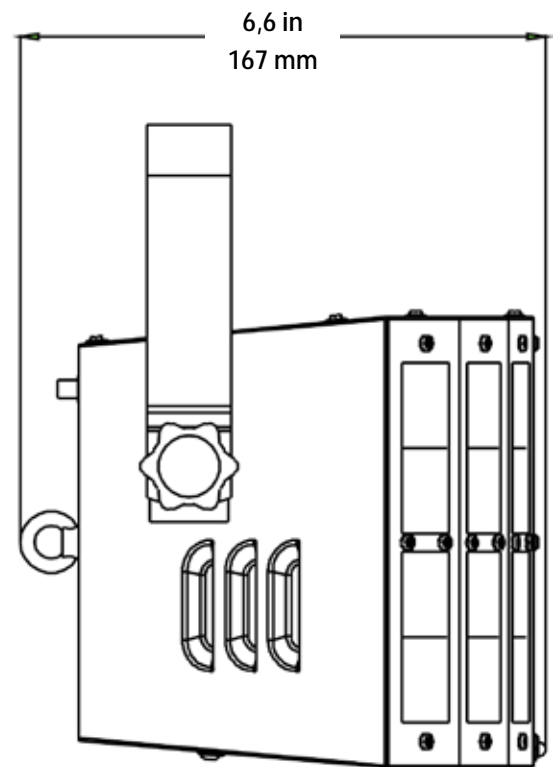
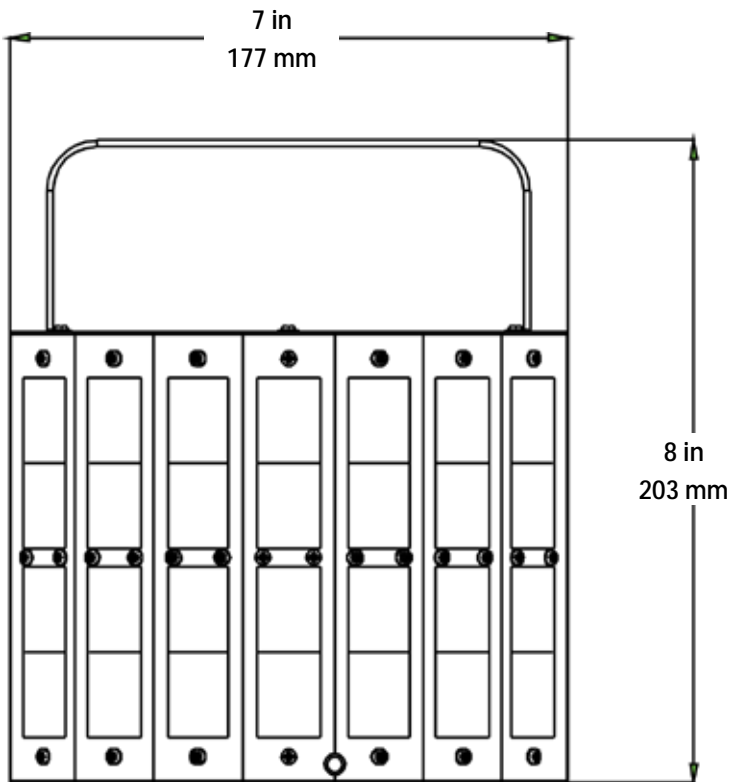


Dimensions

Laser

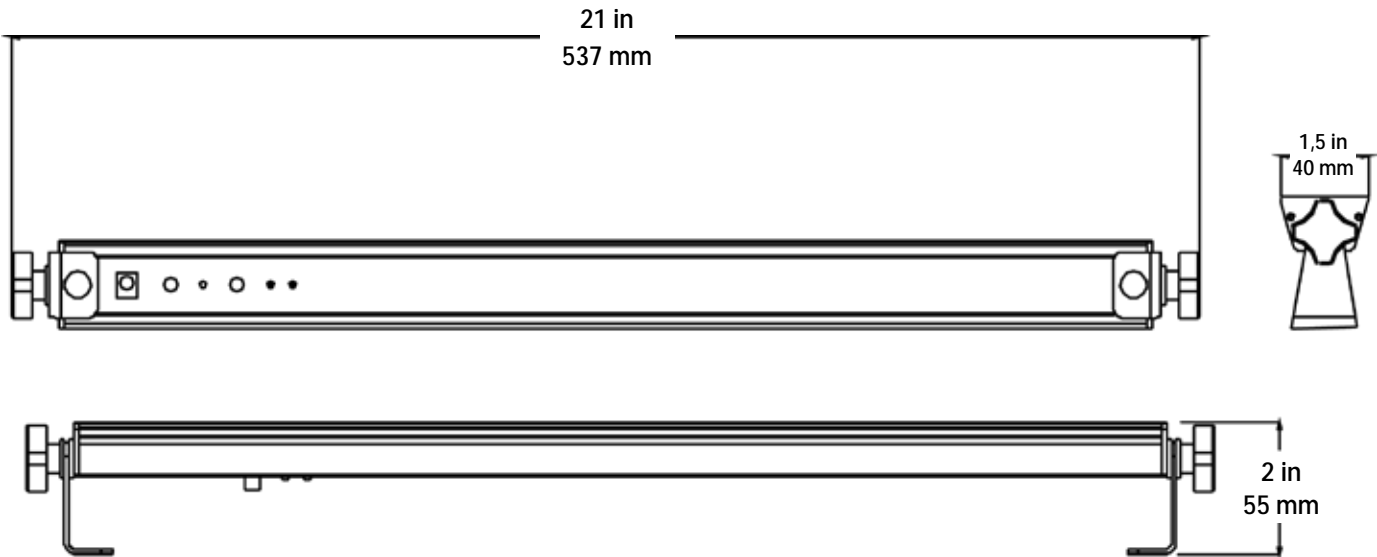


Derby

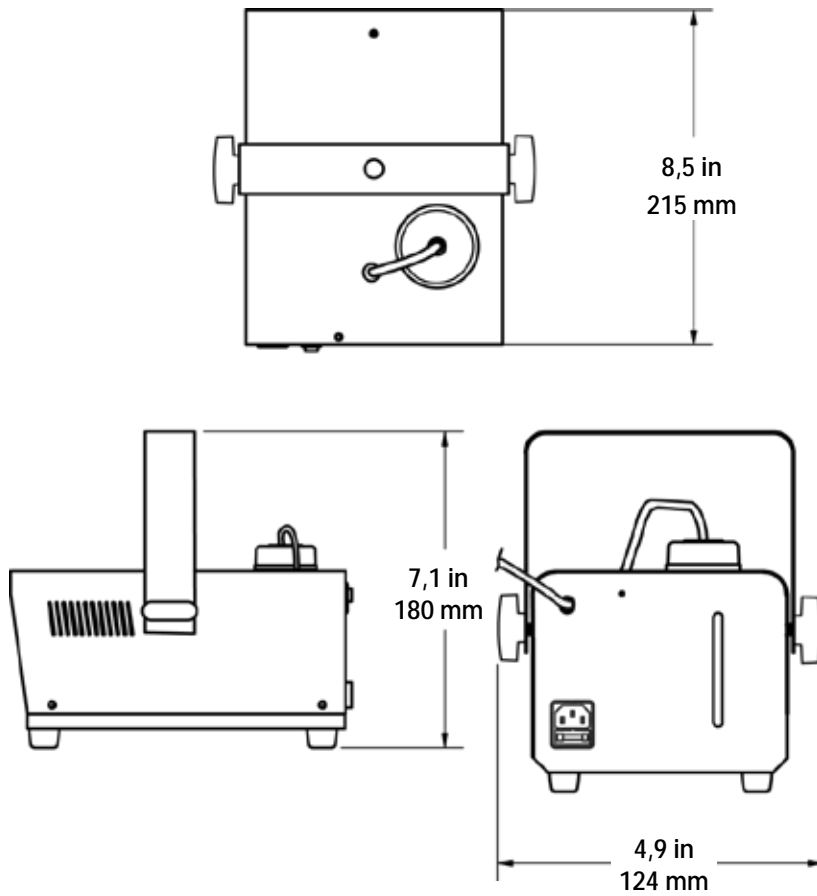


Dimensions (suite)

Combo lampe UV/stroboscope



Machine à brouillard



3. CONFIGURATION

Alimentation CA de la machine à brouillard

La machine à brouillard du JAM Pack™ Gold est équipée d'une alimentation à tension fixe et peut fonctionner avec une tension d'entrée de 120 VCA à 60 Hz.

La capacité nominale affichée indique la consommation courante dans des conditions normales d'utilisation.



- **Toujours connecter l'appareil à un circuit protégé (disjoncteur ou fusible). Assurez-vous que l'appareil soit correctement mis à la terre pour éviter tout risque d'électrocution ou d'incendie.**
- **Durant les périodes de non-utilisation, pour éviter toute usure inutile et pour prolonger la durée de vie, déconnectez-entièrement l'appareil en le débranchant de l'alimentation électrique ou en coupant le disjoncteur.**



Ne connectez jamais l'appareil à un rhéostat (résistance variable) ou un circuit voleur, même si vous n'avez l'intention de vous servir du rhéostat ou du canal d'assombrissement que comme interrupteur 0 à 100%.

Remplacement du fusible de la machine à brouillard

1. Débranchez la machine à brouillard.
2. Calez la pointe d'un tournevis à tête plate dans la fente du porte-fusible.
3. Soulevez le capuchon de sécurité hors du boîtier.
4. Enlevez le fusible grillé logé dans le clip sur le devant du capuchon de sécurité et remplacez-le par un fusible de même type et de même ampérage.
5. Remettez le porte-fusible en place puis rebranchez.



L'appareil n'est pas livré avec un fusible de rechange, cependant le capuchon de sécurité dispose d'un espace de rangement prévu à cet effet.



Veillez à toujours remplacer un fusible grillé avec un fusible de même type et de même ampérage.

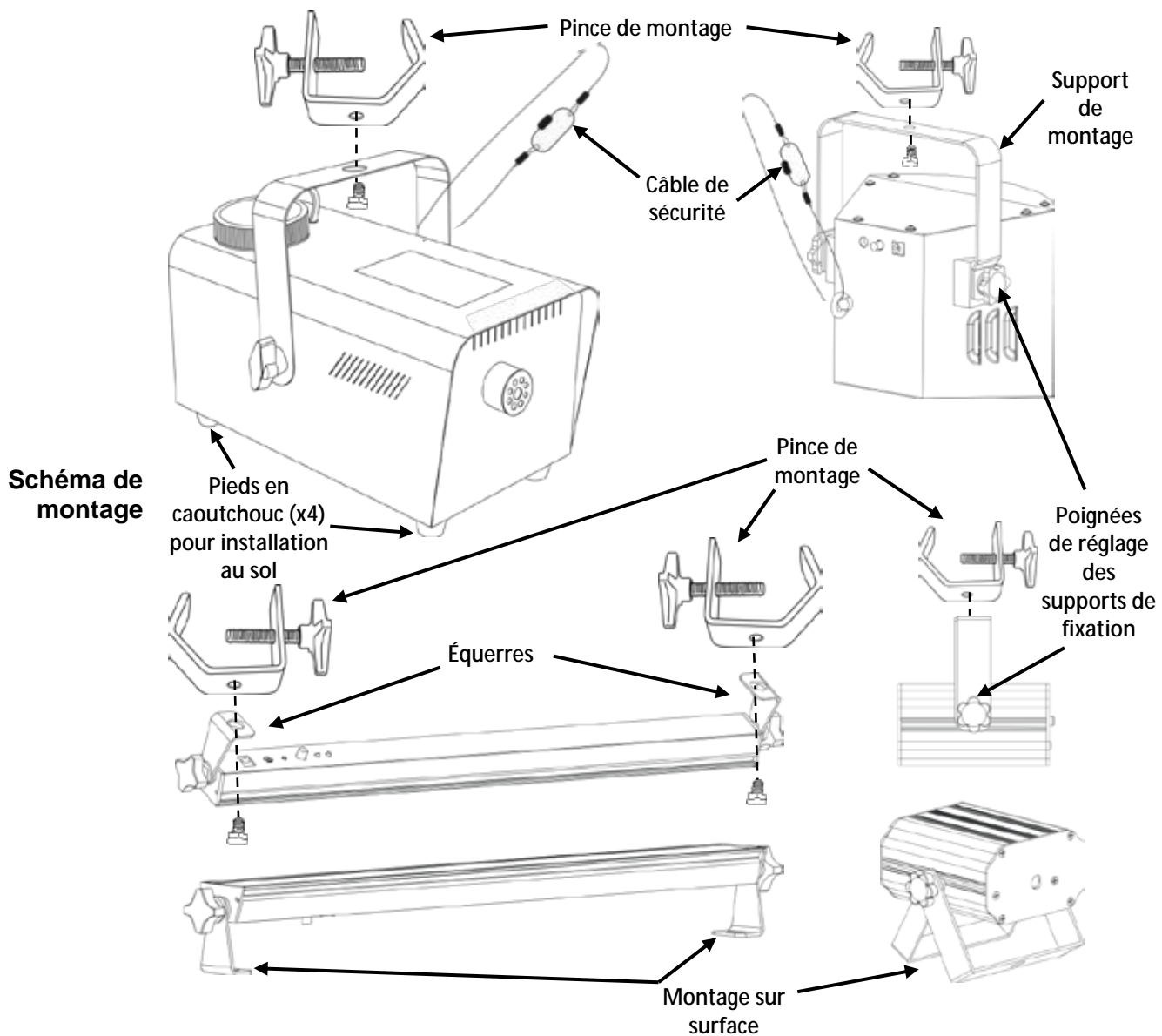
Alimentation externe CA

Les appareils du JAM Pack™ Gold (à l'exception de la machine à brouillard) sont dotées d'une alimentation universelle externe pouvant fonctionner avec des tensions d'entrée comprises entre 100 et 240 V CA, 50/60 Hz.

Installation Avant d'installer l'appareil, veuillez lire et respecter les recommandations de sécurité indiquées dans la section [Consignes de Sécurité](#). Les appareils JAM Pack™ Gold peuvent être installés sur une surface ou bien montés en hauteur en utilisant le trou de montage, auquel cas assurez-vous d'utiliser une vis, un écrou et un boulon, ou bien avec une pince de suspension. N'oubliez pas de prendre en compte les entretiens réguliers lorsque vous procédez au montage. Veuillez prendre connaissance des consignes qui suivent à propos de l'installation.

Orientation Les appareils JAM Pack™ Gold doivent être installés dans une position pensée pour l'utilisation sans risque du laser. Assurez-vous également que la ventilation soit suffisante autour de l'appareil.

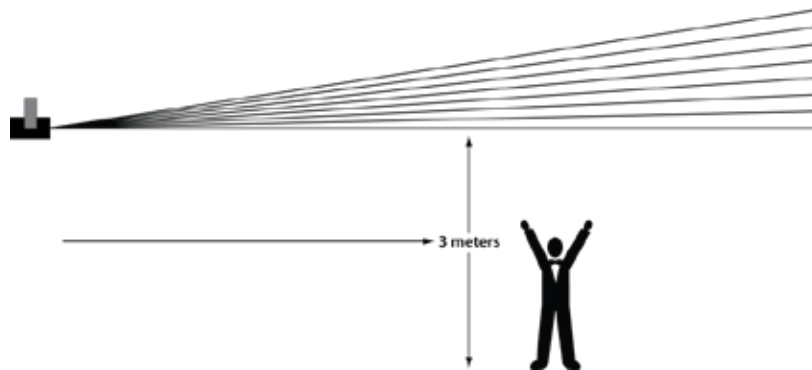
- Montage**
- Avant de choisir un emplacement pour l'appareil, assurez-vous toujours qu'il soit facile d'accéder au produit pour l'entretien et la programmation.
 - Assurez-vous que la structure ou la surface sur laquelle vous installez l'appareil peut supporter le poids de l'appareil (voir la section [Spécifications techniques](#)).
 - En cas de montage de l'appareil en hauteur, veillez à toujours utiliser un câble de sécurité. Installez l'appareil de manière sécurisée à un point d'accroche, tel qu'une plateforme élevée ou une structure truss.
 - Vous pouvez utiliser la ou les molettes de réglage pour régler l'inclinaison des appareils. Desserrez la ou les molettes, réglez à l'angle souhaité puis resserrez la ou les molettes en tournant dans le sens horaire. Ne pas utiliser d'outils pour cette étape pour ne pas causer de dommages.



Utilisation appropriée

Cet appareil laser n'est destiné qu'aux montages en hauteur. Pour des raisons de sécurité, Chauvet recommande d'installer les appareils à effet d'éclairage sur des plates-formes élevées stables ou des supports robustes en hauteur à l'aide de fixations de suspension appropriées. Dans tous les cas, utilisez des câbles de sécurité. Vous pouvez obtenir le matériel de montage approprié auprès de votre fournisseur d'éclairages.

Les normes internationales de sécurité laser exigent que les appareils à laser soient utilisés tel qu'illustré ci-dessous, avec un minimum de 3 mètres (9,8 pieds) de séparation verticale entre le sol et la lumière laser la plus faible. De plus, une séparation horizontale de 3 mètres est requise entre la lumière laser et l'audience ou tout autre espace public.



ATTENTION ! L'utilisation de commandes, réglages ou procédures autres que CEUX spécifiés DANS CE MANUEL DE L'UTILISATEUR peut entraîner une exposition à des rayonnements dangereux.

4. UTILISATION

Cet appareil laser n'est pas conçu pour une utilisation en continue. Assurez-vous d'effectuer des pauses régulières pendant le fonctionnement afin de maximiser la durée de vie de votre laser. Toujours débrancher les appareils du JAM Pack™ Gold lorsqu'ils ne sont pas utilisés.

Télécommande de la machine à brouillard

Déclenchez le brouillard à l'aide de la télécommande filaire intégrée. L'indicateur LED situé sur la télécommande permet de savoir lorsque la machine à brouillard a atteint la température de fonctionnement nécessaire. Appuyez sur le bouton de la télécommande pour faire sortir du brouillard momentanément. La longueur du câble de la télécommande filaire est de 4 m (13 pi).

Utilisation du panneau de commande du stroboscope UV

Bouton	Fonction
<UV ON/OFF>	Permet d'allumer et d'éteindre la lumière noire UV.
<STROBE MODE>	Permet de contrôler le mode stroboscope.



- L'indicateur LED se met à clignoter lorsque le mode stroboscope est allumé.
- L'indicateur LED reste allumé en continue lorsque le mode d'activation par le son est allumé.

Combo lampe UV/stroboscope Modes

	Fonction	Sous-option	État du LED
Modes stroboscope	Très rapide (20 à 30 Hz)	1 x appui	Clignote
	Rapide (10 à 20 Hz)	2 x appuis	Clignote
	Moyen (5 à 10 Hz)	3 x appuis	Clignote
	Lent (1 à 5 Hz)	4 x appuis	Clignote
	Très lent (0,5 à 1 Hz)	5 x appuis	Clignote
Arrêt		6 x appuis	Allumé en continue
Mode d'activation par le son		7 x appuis	Allumé en continue
Allumé en continue		8 x appuis	Allumé en continue






















Fonctionnement du commutateur de contrôle du laser

Bouton	Fonction
<MUSIC/ON/OFF>	Permet de passer entre les modes musical (activation par le son), allumé et éteint.

Télécommande IRC-6 (Télécommande par infrarouge)

Les appareils JAM Pack™ Gold sont compatibles avec la télécommande IRC-6 de Chauvet, sauf le laser et la machine à brouillard.

Les boutons suivants de l'IRC-6 sont utilisés avec le JAM Pack™ Gold:

-  Allume/éteint les LEDs
 -  Permet de sélectionner le mode d'activation par le son.
 -  Marche/arrêt de l'effet stroboscopique (0 à 20 Hz)
 -  Sélection du mode automatique
 -  Augmenter/diminuer la vitesse du stroboscope
 - 
 -  Rouge en continue
 -  Vert en continue
 -  Bleu en continue
 -  Marche/arrêt de la lampe UV pour le stroboscope UV
 -  Marche/arrêt du blanc pour le stroboscope UV
-
-  Rouge/vert/bleu
 -  Rouge
 -  Rouge/vert
 -  Rouge/vert
 -  Vert
 -  Vert/bleu
 -  Bleu
 -  Rouge/bleu
 -  Rouge/bleu
 -  Rouge/vert

       Pas de fonction



Tous les appareils (sauf le laser et la machine à brouillard) répondront à distance simultanément à la télécommande IRC-6 lorsqu'ils sont proches les uns des autres. Pour sélectionner un appareil en particulier à distance, la télécommande IRC-6 doit être pointée uniquement sur l'appareil en question.

5. INFORMATIONS TECHNIQUES

Entretien général des appareils

L'accumulation de poussière réduit la sortie de lumière et peut entraîner une surchauffe de l'appareil. Pour conserver des performances optimales, nettoyez l'appareil au moins deux fois par mois. Cependant, l'utilisation et les conditions environnementales contribuent à augmenter la fréquence de nettoyage.

Pour nettoyer l'appareil, suivez les instructions ci-dessous :

1. Débranchez l'appareil.
2. Attendez que l'appareil soit à la température ambiante.
3. Utilisez un aspirateur (ou un compresseur d'air) et une brosse douce pour enlever la poussière accumulée sur les surfaces/ventilations externes.
4. Nettoyez le panneau transparent (ouverture du laser) avec une solution douce de nettoyant pour vitres sans ammoniaque ou de l'alcool isopropylique.
5. Appliquez la solution directement sur un chiffon de coton doux et non pelucheux ou un tissu de nettoyage d'objectif.
6. Essuyez soigneusement toute trace de saleté ou d'encrassement sur les bords extérieurs de la vitre.
7. Nettoyez en douceur la surface transparente jusqu'à ce que toute peluche ou trace ait disparue.



Assurez-vous de bien sécher toutes les surfaces optiques après les avoir nettoyées.



Ne faites pas tourner le ventilateur de refroidissement à l'aide d'air comprimé sous risque de l'endommager.

Ne laissez pas la machine à brouillard s'encrasser. Toutes les 40 heures de fonctionnement en continue, utilisez la solution de nettoyage CHAUVET® Fog Cleaner Quart (FCQ) sur l'ensemble du système pour empêcher l'accumulation de particules dans l'élément de chauffe.

La procédure de nettoyage recommandée et la suivante.

Entretien de la machine à brouillard

1. Débranchez l'appareil.
2. Videz le réservoir de liquide à brouillard de la machine.
3. Versez la solution de nettoyage dans le réservoir.
4. Allumez l'appareil et attendez jusqu'à la fin du délai de préchauffage.
5. Faites fonctionner l'appareil dans une zone bien ventilée jusqu'à ce que le réservoir soit quasiment vide. Ne laissez pas la pompe fonctionner à vide.
6. Remplissez avec du liquide à brouillard pour continuer à utiliser la machine à brouillard. Faites fonctionner brièvement la machine pour enlever toute trace de solution de nettoyage restante dans la pompe et dans l'élément de chauffe.



Ne faites jamais fonctionner la machine sans liquide.



La solution de nettoyage FCQ (Fog Cleaner Quart) a été spécialement développée par Chauvet pour le nettoyage de votre Hurricane™ 700. Assurez-vous de nettoyer fréquemment votre machine à brouillard avec la solution de nettoyage FCQ, au moins tous les 90 jours, pour augmenter sa durée de vie.

Entreposage

Avant d'entreposer la machine à brouillard, nettoyez l'intégralité du système avec la solution de nettoyage FCQ tel que décrit dans la procédure de nettoyage plus haut. N'effectuez cependant que les étapes 1 à 5. **Ne remplissez pas le réservoir à nouveau avec du liquide à brouillard si vous allez entreposer la machine à brouillard.** Le nettoyage du système avant l'entreposage permet d'empêcher aux particules de se condenser à l'intérieur de la pompe ou l'élément de chauffe pendant la durée de non utilisation.



Testez votre machine à brouillard régulièrement tous les mois pour conserver ses performances d'origine.

6. DEPANNAGE GENERAL DE LA MACHINE A BROUILLARD

Symptôme	Cause probable	Action à envisager
Pas de sortie de brouillard ou la machine rejette du liquide.	Liquide incorrect.	Bien nettoyer avec la solution FCQ de CHAUVET®. Pour consulter les instructions complètes, veuillez consulter la section Entretien de la machine à brouillard . Remplissez le réservoir avec du liquide à brouillard à base d'eau de marque CHAUVET®.
	Tuyau bouché ou pièce défectueuse.	Contactez le service client
Le circuit disjoncteur ou le fusible saute constamment.	Charge excessive sur le circuit.	Assurez-vous que la charge totale ne dépasse pas 80% du courant nominal du disjoncteur ou du fusible.
	Court-circuit sur les lignes électriques.	Vérifiez les lignes électriques et les cordons d'alimentation.
L'appareil ne s'allume pas.	Pas de courant au niveau de la prise.	Vérifiez la prise de courant. Essayez avec une autre prise.
	Le cordon d'alimentation présente du jeu ou est endommagé	Vérifiez le cordon d'alimentation.
	Fusible grillé	Remplacez le fusible grillé par un fusible en bon état, de même type et de même ampérage.
	Problème interne	Envoyez l'appareil en réparation.
L'appareil s'arrête de pomper ou génère un bruit fort.	Pas ou peu de liquide.	Remplissez l'appareil avec du liquide.
	Système de protection de la pompe enclenché.	Désenclenchez le bouton manuel de brouillard, puis appuyez dessus à nouveau pour réinitialiser le système de protection de la pompe.



Si vous rencontrez toujours des problèmes après avoir essayé les solutions ci-dessus, contactez le support technique de Chauvet. Voir la section [Nous contacter](#).

7. SPÉCIFICATIONS TECHNIQUES

Dimensions et poids

JAM Pack™ Gold

	Longueur	Largeur	Hauteur	Poids
Mini Laser	101 mm (4 po)	120 mm (4,8 po)	94 mm (3,7 po)	0,6 lb
Machine à brouillard	215 mm (8,5 po)	124 mm (4,9 po)	180 mm (7,1 po)	4 lb
Mini Derby	167 mm (6,6 po)	177 mm (7 po)	203 mm (8 po)	2,4 lb
Stroboscope UV	537 mm (21 po)	40 mm (1,5 po)	55 mm (2 po)	0,6 lb

Remarque : Les dimensions en pouce sont arrondies à la décimale la plus proche.

Alimentation

Valeur	Laser, Derby, Stroboscope UV	Alimentation externe	Machine à brouillard		
Tension d'entrée	Fixe	Commutation	Fixe		
Plage	12 VCC, 1 A	Entre 100 et 240 VCA, 50/60 Hz	120 VCA, 60 Hz		
Sélection de tension	Fixe	Universelle	Fixe		
	Paramètre (120 V, 60 Hz)	Machine à brouillard	Derby	Laser	Stroboscope UV
	Consommation	471 W	10 W	4 W	12 W
	Courant de fonctionnement	3,9 A	150 mA	68 mA	180 mA
	Fusible	F 5 A, 250 V	N/A	N/A	N/A

Machine à brouillard

E/S alimentation	US / Monde
Connecteur d'entrée d'alimentation	IEC
Prise du cordon d'alimentation	Edison (US)

Laser, Derby et Stroboscope UV

E/S alimentation	US / Monde
Connecteur d'entrée d'alimentation	Entrée d'alimentation CC
Alimentation	Adaptateur CA 12 VCC

Source lumineuse

Laser	Type	Alimentation	Longueur d'onde
	Laser (vert)	30 mW	532 nm
	Laser (rouge)	100 mW	650 nm

LED

Derby	Type	Alimentation	Durée de vie
	LED	6 W	50 000 heures
Couleur		Quantité	Courant
	Rouge	1	1,76 A
	Vert	1	1,76 A
	Bleu	1	1,76 A
Stroboscope UV	Type	Alimentation	Durée de vie
	LED (CW)	600 mW	50 000 heures
	LED (UV)	1,05 W	50 000 heures
Couleur		Quantité	Courant
	Blanc	4	190 mA
	UV	5	310 mA

JAM Pack™ Gold (cont.)

Machine à brouillard

Fonctionnement / capacité / consommation	Temps de préchauffage	Capacité du réservoir	Consommation en liquide
	2,5 min	0,6 l (0,2 gal)	7,5 ml/min
Divers	Sortie		
	1 500 pcm		
Télécommande filaire	Longueur		
	4 m (13 po)		
Thermique	Température externe maximum générale	Température externe maximum du laser	Système de refroidissement
	40 °C (104 °F)	35 °C (90 °F)	Refroidissement par ventilateur et convection
Commande	Nom du produit	Code de l'article	Code UPC
	JAM Pack™ Gold	10050956	781462213046



RENOIS

Pour assistance ou renvoi d'un produit :

- Si vous résidez aux États-Unis, contactez le siège mondial de Chauvet (voir coordonnées ci-après).
- Si vous vivez au Royaume-Uni ou en Irlande, contactez Chauvet Europe Ltd.
- Si vous vivez au Mexique, contactez Chauvet Mexico.
- Si vous vivez au Benelux, contactez Chauvet Europe BVBA.
- Si vous résidez n'importe où ailleurs, NE contactez pas Chauvet. Veuillez plutôt contacter votre revendeur local. Rendez-vous sur www.chauvetlighting.com pour découvrir la liste des revendeurs en dehors des États-Unis, de l'Irlande, du Mexique et de Benelux.



Si vous résidez en dehors des États-Unis, du Royaume-Uni, de l'Irlande, du Mexique et de Benelux, contactez votre revendeur et suivez ses instructions quant à la procédure à suivre pour renvoyer votre appareil. Consultez notre site Web pour en trouver les coordonnées.

Téléphonez au centre d'assistance technique de Chauvet correspondant et demandez un numéro d'autorisation de retour (NAR) avant de nous réexpédier l'appareil. Pour l'obtenir, il vous sera demandé de fournir le numéro du modèle, le numéro de série ainsi qu'une brève description de l'objet du retour.

Envoyez la marchandise en port prépayé, dans son conditionnement d'origine, avec son emballage et ses accessoires d'origine. Chauvet ne délivrera pas d'étiquettes de renvoi.

Indiquez lisiblement le NAR sur une étiquette apposée sur le colis. Chauvet refusera la réception de tout appareil pour lequel aucun NAR n'a été demandé.



Inscrivez le NAR sur une étiquette convenablement collée. N'écrivez PAS le NAR directement sur le colis.

Avant de nous retourner le colis, inscrivez les informations suivantes, de manière lisible, sur une feuille de papier, que vous placerez à l'intérieur du colis :

- Votre nom
- Votre adresse
- Votre numéro de téléphone
- Le numéro NAR
- Une courte description du problème

Veillez à emballer l'appareil de manière adéquate. Vous serez tenu responsable de tout dommage survenant lors de l'expédition de retour dû à un emballage inadéquat. Nous vous recommandons d'utiliser un emballage double ou celui de FedEx.



Chauvet se réserve le droit, à sa convenance, de réparer ou remplacer tout appareil qui lui est retourné.

NOUS CONTACTER

SIÈGE SOCIAL MONDIAL - Chauvet

Informations Générales

Adresse : 5200 NW 108th Avenue
Sunrise, FL 33351
Téléphone : (954) 577-4455
Télécopie : (954) 929-5560
N° vert : (800) 762-1084

Support Technique

Téléphone : (954) 577-4455 (appuyer sur
4)
Télécopie : (954) 756-8015
E-mail : tech@chauvetlighting.com

Site Web www.chauvetlighting.com

ROYAUME-UNI ET L'IRLANDE - Chauvet Europe Ltd.

Informations Générales

Adresse: Unit 1C
Brookhill Road Industrial Estate
Pinxton, Nottingham, UK
NG16 6NT
Téléphone: +44 (0)1773 511115
Télécopie: +44 (0)1773 511110

Support Technique

E-mail: uktech@chauvetlighting.com

Site Web www.chauvetlighting.co.uk

MEXIQUE - Chauvet Mexico

Informations Générales

Adresse: Av. Santa Ana 30
Parque Industrial Lerma
Lerma, Mexico C.P. 52000
Téléphone: +52 (728) 285-5000

Support Technique

E-mail: servicio@chauvet.com.mx

Site Web www.chauvet.com.mx

CHAUVET EUROPE - Chauvet Europe BVBA

General Information

Adresse: Stokstraat 18
9770 Kruishoutem
Belgium
Téléphone: +32 9 388 93 97

General Information

Address: Stokstraat 18
9770 Kruishoutem
Belgium
Voice: +32 9 388 93 97

En dehors des États-Unis, du Royaume-Uni, de l'Irlande, Mexique, ou du Benelux contactez votre revendeur. Suivez leurs instructions pour accéder à l'assistance ou pour renvoyer un produit. Consultez notre site web pour les coordonnées.

1. ERSTE SCHRITTE

- Packungsinhalt**
- Laser
 - Derby
 - Nebelmaschine
 - UV-Strobe-Kombi
 - Fernbedienung IRC-6
 - Netzkabel
 - 3 Netzteile
 - CHAUVET® Nebelfluid (FJP)
 - Garantiekarte
 - Bedienungsanleitung

Beschreibung Mit Just Add Music, JAM Pack™ Gold, erhalten Sie das ultimative All-in-One Partysystem mit folgenden Bestandteilen:

- Ein Laser-Effekt mit einem zweifarbigen Laserlicht, das ein dynamisches rotes und grünes Muster entweder im Auto- oder Musiksteuerungs-Modus erzeugt.
- Eine dreifarbig Leuchte mit Derby-Effekt und mit hellen roten, grünen und blauen LEDs hinter 28 Linsen. Mit der per Fernbedienung IRC-6 ansteuerbaren Motordrehzahl und Musiksteuerungs- oder automatischen Programme haben Sie immer sofort ein Showprogramm zur Verfügung.
- Eine kompakte Nebelmaschine, die dichte Wasserdampfschwaden abgibt und damit jede Lichtshow bereichert. Inklusive beiliegender drahtgebundener Fernbedienung und eines halben Liters Nebelfluid auf Wasserbasis.
- Ein UV-Wash und Strobe-Kombigerät, eine Schwarzlicht-Leistenleuchte mit der Möglichkeit, helle, weiße Blitze zu erzeugen, während ein kühler UV-Wash-Effekt den Hintergrund bildet. Sie können manuell die Blitzfrequenz ändern oder für diese den Auto- oder Musiksteuerungs-Modus aktivieren. Auch kompatibel mit der Fernbedienung IRC-6.

Anweisungen für das Auspacken

Packen Sie das Produkt sofort vorsichtig aus und überprüfen Sie, ob Sie alle Teile unbeschädigt erhalten haben.




Schadensmeldung

Wenn die Verpackung oder die in der Verpackung befindlichen Teile (Gerät und Zubehör) beschädigt sind oder Mängel durch nicht einwandfreie Behandlung aufweisen, benachrichtigen Sie umgehend das Transportunternehmen, nicht jedoch Chauvet. Eine nicht zeitnah erfolgte Benachrichtigung kann dazu führen, dass Sie Ihren Gewährleistungsanspruch gegenüber dem Transportunternehmen verlieren. Bewahren Sie überdies die Verpackung für eine spätere Überprüfung auf.

Bei anderen Problemen wie etwa fehlende Komponenten oder Teile, Schäden, die nicht durch den Transport entstanden sind, oder nicht offensichtliche Schäden, machen Sie Ihren Anspruch gegenüber Chauvet innerhalb von 7 Tagen ab Lieferung der Waren geltend.

Konventionen des Handbuchs

Konvention	Bedeutung
1–512	Eine Bandbreite an Werten
50/60	Ein Wertesatz, aus dem nur ein Wert ausgewählt werden kann
Settings	Eine Menüoption, die nicht geändert werden kann
Menu > Settings	Eine Sequenz von Menüoptionen, die befolgt werden muss
<ENTER>	Eine zu betätigende Taste auf dem Bedienfeld des Geräts
ON	Ein Wert, der eingegeben oder ausgewählt werden muss

Symbole	Symbol	Bedeutung
		Wichtige Informationen zur Installation, Konfiguration und zum Betrieb. Bei Nichtbeachtung dieser Informationen kann es zu Fehlfunktionen oder Beschädigungen des Geräts oder zu Verletzungen des Bedieners kommen.
		Wichtige Informationen zur Installation oder Konfiguration. Wenn diese Informationen nicht beachtet werden, kann es zu Fehlfunktionen kommen.
		Nützliche Informationen

Sicherheits- Diese Anleitung enthält wichtige Sicherheits- und Betriebshinweise über das Lasersystem. Alle Anweisungen vor der ersten Inbetriebnahme lesen und verstehen, um Augenverletzungen und Verstöße gegen Gesetze zu vermeiden. Die Kenntnis der Sicherheitshinweise ist wichtig, um Augenverletzungen durch Laserstrahlen und Gesetzesverstöße zu vermeiden. Bitte heben Sie diese Bedienungsanleitung zur späteren Einsicht an einem sicheren Ort auf.



LESEN SIE HIER WICHTIGE INFORMATIONEN ÜBER DIE SICHERHEIT VON



- Laserstrahlen sind gefährlich und bedürfen besonderer Sicherheitsvorkehrungen. Bei falschem Gebrauch kann Blindheit und dauerhafter Augenschaden die Folge sein. Bitte beachten Sie ALLE Sicherheitshinweise und Warnungen in dieser Anleitung. Alle Anweisungen genau durchlesen, BEVOR Sie das Gerät in Betrieb nehmen.
- Schließen Sie dieses Gerät immer an die Masse an, um die Gefahr elektrischer Schläge zu reduzieren.
- Trennen Sie das Gerät von der Stromquelle, bevor Sie es reinigen.
- Bei eingeschaltetem Gerät direkten Augenkontakt mit der Lichtquelle vermeiden.
- Stellen Sie sicher, dass das Netzkabel nicht gequetscht oder beschädigt ist.
- Ziehen Sie beim Trennen des Geräts von der Stromversorgung nie am Kabel.
- Verwenden Sie für die Montage der Effektgeräte über Kopf immer ordnungsgemäße Sicherheitskabel.
- Stellen Sie sicher, dass das Gerät mit einem Sicherheitsabstand zu entzündlichen Materialien betrieben wird.
- Niemals während des Betriebs das Gehäuse berühren, da dies sehr heiß wird.

- Dieses Produkt eignet sich nicht für eine permanente Installation.
- Die Spannung der Schukosteckdose, an die Sie das Gerät anschließen, muss sich innerhalb des Spannungsbereiches befinden, der auf dem Hinweisschild oder dem rückwärtigen Bedienfeld des Geräts angegeben ist.
- Dieses Gerät darf nur im Innenbereich verwendet werden. (IP20) Um das Risiko von Bränden oder elektrischen Schlägen zu vermeiden, dürfen Sie das Gerät nicht Regen oder Feuchtigkeit aussetzen.
- Installieren Sie das Gerät immer an einem Ort mit ausreichender Belüftung und mit einem Abstand von 50 cm zu den angrenzenden Flächen.
- Stellen Sie sicher, dass die Lüftungsöffnungen am Gehäuse des Geräts nicht verschlossen sind.
- Schließen Sie dieses Gerät niemals an einen Dimmer an.
- Heben Sie das Produkt zum Tragen nur am Hänge-/Befestigungsbügel an.
- Vermeiden Sie wiederholtes Ein- und Ausschalten des Geräts innerhalb eines kurzen Zeitraums. Dadurch wird die Lebensdauer der Laserdiode reduziert.
- Dieses Gerät nicht schütteln. Vermeiden Sie, bei der Montage oder dem Betrieb des Geräts übermäßige Gewalt anzuwenden.
- STETS angemessene Sicherheitskabel zum Aufhängen von Lichteffektgeräten verwenden.
- Die maximal zulässige Umgebungstemperatur für den Derby-, UV-Strobe-Effekt und die Nebelmaschine beträgt 104 °F (40 °C). Nehmen Sie das Gerät nicht bei höheren Temperaturen in Betrieb.
- Die maximal zulässige Umgebungstemperatur für den Laser-Effekt beträgt 15 °C bis 35 °C (59 °F bis 95 °F). Nehmen Sie das Gerät nicht bei Temperaturen außerhalb dieses Bereichs in Betrieb.
- Bei ernsthaften Betriebsproblemen stoppen Sie umgehend die Verwendung des Geräts.
- Versuchen Sie nie selbst, dieses Gerät zu reparieren. Reparaturen müssen von entsprechend geschultem Fachpersonal durchgeführt werden, da sonst Schäden oder Fehlfunktionen auftreten können. Wenden Sie sich an den nächsten Technischen Support.
- Nicht als Raumheizung verwenden.
- Nur Nebelfluid auf Wasserbasis von CHAUVET® verwenden.
- Vor dem Transport des Geräts Tank ablassen.
- Um unnötigen Verschleiß zu vermeiden und die Lebensdauer des Geräts zu verlängern, trennen Sie während längerer Perioden des Nichtgebrauchs die Geräte vom Stromnetz – entweder per Trennschalter oder durch Herausziehen des Steckers aus der Steckdose.



FCQ (Fog Cleaner Quart) wurde von Chauvet speziell zur Reinigung Ihrer Nebelmaschine entwickelt. Eine regelmäßige Reinigung mit FCQ verlängert die Lebensdauer Ihres Geräts.



VORSICHT! Die Ausführung von Befehlen, Einstellungen und Handlungen, die nicht in dieser Anleitung beschrieben sind, können zu gefährlichen Laserstrahlungen führen.



- Vermeiden Sie direkten Augenkontakt mit dem Laserstrahl. Niemals absichtlich Ihre Augen oder die Augen anderer Personen direktem Laserlicht aussetzen.
- Der Laserstrahl kann sofort Ihre Augen verletzen oder zu Blindheit führen, wenn er direkt ins Auge fällt.
- Es ist verboten und gefährlich, den Laserstrahl aufs Publikum zu richten, wo das Licht oder die Reflexion des Lichtstrahls Personen ins Auge treffen kann.
- Niemals den Laserstrahl auf Flugzeuge richten.
- Sie setzen sich gefährlichen Strahlungen aus, wenn Sie Einstellungen oder Arbeiten am Gerät vornehmen, die nicht ausdrücklich in dieser Anleitung erwähnt sind.
- **Versuchen Sie NICHT, selbst Reparaturen durchzuführen. Bei Reparaturbedarf wenden Sie sich bitte an Ihren Fachhändler. Aus Gründen der Sicherheit sind nicht autorisierte Änderungen am Gerät unzulässig!**



- **Bitte heben Sie diese Bedienungsanleitung zur späteren Einsicht auf. Achten Sie bei einem Eigentümerwechsel des Geräts darauf, dass dieses Dokument am Lasergerät verbleibt.**

Achtung! Kein Schutz bei geöffnetem Gehäuse

- Das Gerät enthält Laser mit hohen Leistungen.
- Öffnen Sie nicht das Gehäuse des Lasers, da Sie sich sonst einer gesundheitsschädlichen Laserstrahlung aussetzen könnten.
- Die Laserstrahlungsklassen können, wenn das Gerät geöffnet ist, zu Erblindung, Hautverbrennungen und Feuer führen.

Hinweise zur Lasersicherheit



STOPPEN SIE HIER UND LESEN SIE SICH ALLE NACHSTEHENDEN SICHERHEITSANWEISUNGEN BEZÜGLICH DER LASERSICHERHEIT UND DER SPEZIFIKATIONEN DURCH



Laserlicht hat nichts mit anderen Lichtquellen, die Sie vielleicht kennen, gemein. Das Licht dieses Produkts kann Augenverletzungen verursachen, wenn es nicht richtig installiert und bedient wird. Laserlicht ist mehrere tausend Male konzentrierter als jede andere Lichtquelle. Diese hohe Konzentration kann zu sofortigen Augenverletzungen führen, insbesondere zur Verbrennung der Netzhaut (der lichtempfindlichen Rückseite des Auges). Selbst wenn Sie keine „Hitze“ vom Laserstrahl spüren, kann er trotzdem Blindheit beim Bediener oder Publikum verursachen. Sogar ganz geringe Mengen von Laserstrahlen auf große Entfernungen sind potenziell gefährlich.

Es ist **FALSCH**, anzunehmen, dass der einzelne Strahl oder ein Teil eines Strahls für das Auge ungefährlich sei. Dieses Laserprodukt verwendet Dutzende von Milliwatt Laserleistung –intern Klasse 3B – und teilt den Strahl in Hunderte von Strahlen – Klasse 3R. Viele der einzelnen Strahlen der Klasse 3R stellen eine potenzielle Gefahr für die Augen dar.

Es ist ebenfalls **FALSCH** zu glauben, dass der Laserstrahl harmlos sei, weil er sich bewegt. Das ist nicht wahr; Laserlicht ist niemals ohne Risiko. Da Augenverletzungen sofort auftreten, ist es lebenswichtig, die Möglichkeit von eventuellem, direktem Augenkontakt völlig auszuschließen. Gemäß den Sicherheitsbestimmungen für Laser ist es nicht erlaubt, Laser der Klasse 3R auf Bereiche zu richten, in denen sich Personen befinden können. Dies gilt auch, wenn der Strahl unterhalb der Augen der Menschen, z. B. auf den Tanzboden, gerichtet ist.



- Betreiben Sie den Laser nicht, ohne zunächst die in dieser Bedienungsanleitung aufgeführten Sicherheits- und technischen Daten gelesen und verstanden zu haben.
- Installieren Sie die Lasereffekte IMMER so, dass alle Laserstrahlen mindestens 3 Meter (9,8 Fuß) über dem Boden verlaufen, auf dem Personen stehen können. Siehe den Abschnitt [Bestimmungsgemäße Verwendung](#) in dieser Anleitung.
- Nach der Montage und vor der Inbetriebnahme in der Öffentlichkeit, testen Sie, ob das Gerät einwandfrei funktioniert. Falls ein Defekt auftritt, darf das Gerät nicht benutzt werden.
- Verwenden Sie das Lasergerät auch dann NICHT, wenn es nur einen oder zwei Laserstrahlen statt Dutzende/Hunderte ausstrahlt, da dies auf eine Beschädigung der Beugungsgitteroptik hinweisen kann und eine Laserstrahlung erzeugen könnte, die über die der Klasse 3R liegt.
- Den Laserstrahl NIEMALS auf Menschen oder Tiere richten.
- NIEMALS in die Laseraustrittsöffnung oder einen Laserstrahl blicken.
- Den Laserstrahl NICHT auf Bereiche richten, wo Menschen möglicherweise dem Strahl ausgesetzt werden können.
- Den Laser NIEMALS auf stark reflektierende Oberflächen richten, wie Fenster, Spiegel und glänzendes Metall. Sogar reflektierte Laserstrahlen können gefährlich sein.
- Den Laser niemals auf Flugzeuge richten, da dies einen Verstoß gegen geltendes Recht der USA darstellt.
- Niemals unbegrenzte Laserstrahlen in den Himmel richten.
- Niemals die Austrittsoptik aggressiven chemischen Reinigungsmitteln aussetzen.
- Niemals den Laser verwenden, wenn das Gehäuse beschädigt oder geöffnet ist oder die Optik auf irgendeiner Art beschädigt zu sein scheint.
- Niemals das Gehäuse des Lasers öffnen. Die hohe Laserleistung im Innern des Gehäuses kann Feuer, Hautverbrennungen und Augenverletzungen verursachen.
- Das Gerät niemals ohne Aufsicht laufen lassen.
- Der Betrieb einer Lasershow mit Lasern der Klasse 3R ist zu zulässig, wenn das Gerät von einem ausgebildeten Fachmann betrieben wird, der mit den Informationen in dieser Anleitung vertraut ist.
- Die gesetzlichen Vorschriften zum Gebrauch von Laserprodukten für die Unterhaltungsindustrie sind länderspezifisch. Der Nutzer des Geräts ist für die Einhaltung der gesetzlichen Vorschriften am Standort / im Land der Verwendung verantwortlich.



VORSICHT! Dieses Gerät darf nicht auf eine andere Art betrieben werden, als in dieser Bedienungsanleitung beschrieben. Bei einer Nichtbeachtung kann das Produkt beschädigt werden oder es kann zu Verletzungen beim Benutzer oder Publikum kommen und jeglicher Garantieanspruch verfällt.
VORSICHT! Dieses Produkt darf nicht im Hausmüll entsorgt werden. Weitere Informationen zu den Vorschriften in Ihrem Gebiet erhalten Sie bei den zuständigen Abfallbehörden.

Haftungsausschluss

Die in dieser Anleitung aufgeführten Informationen und Spezifikationen können ohne vorherige Ankündigung geändert werden. Chauvet ist nicht verantwortlich und haftet nicht für in dieser Bedienungsanleitung auftretende Fehler oder Ungenauigkeiten, und es behält sich das Recht vor, jederzeit Änderungen an dieser Bedienungsanleitung vorzunehmen. Laden Sie sich die neueste Version hier herunter: <http://www.chauvetlighting.com/product-manuals-literature/>.

© Copyright 2015 Chauvet. Alle Rechte vorbehalten.

Gedruckt in China.

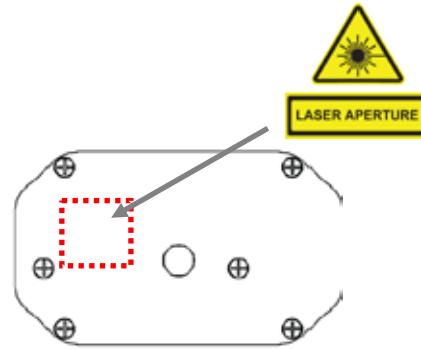
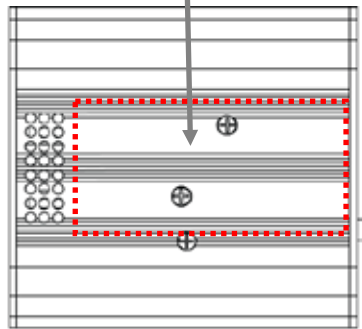
In den USA von Chauvet elektronisch veröffentlicht.

Verfasser	Datum:	Herausgeber:	Datum:
R. Isenstadt	26.03.2015	M. Trouard	13.05.2015

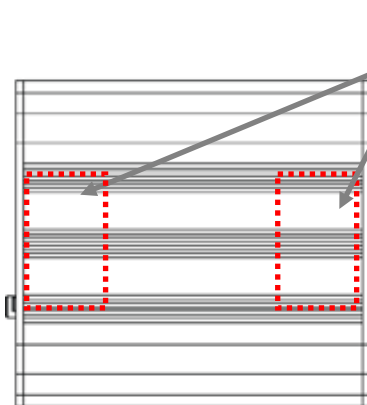
Warn- und Sicherheitsschilder auf dem Lasergerät

 <p>LASER LIGHT AVOID DIRECT EYE EXPOSURE CLASS 3R LASER PRODUCT 30 mW, 532 nm / 100 mW, 650 nm Classified per EN/IEC 60825-1:2007</p>	
<p>CHAUVET WORLDWIDE HEADQUARTERS SUNRISE, FLORIDA USA</p> <p>CHAUVET  </p>	
MODEL:	JAMPACKGOLD (laser)
TYPE:	
ITEM CODE:	10050056
INPUT VOLTAGE:	12 VOLT 1 A
LIGHT SOURCE:	LASER
ORIGIN:	MADE IN P.R.C.
<p>THIS APPLIANCE MUST BE GROUNDING. CETTE UNITE DOIT ETRE RELIEE A LA TERRE. THIS FIXTURE HAS NO REPLACEABLE FUSE. CET APPAREIL N'A PAS FUSIBLE REMPLACABLE. NOT FOR HOUSEHOLD USE. N'EST PAS A L'USAGE DOMESTIQUE. DISCONNECT POWER BEFORE SERVICING. DEBRANCHER AVANT TOUT ENTRETIEN. FOR INDOOR USE ONLY. USAGE INTERIEUR UNiquement.</p>	
USA/CANADA Power AC 100-125 V, 60 Hz, 0.068 A, 1 W	WORLDWIDE Power AC 100-240 V, 50/60 Hz, 0.342 A, 4 W

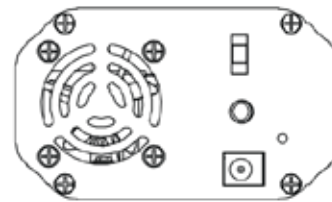
Ansicht von unten



Vorderseite



Ansicht von oben



Rückseite

Warnung vor Laserstrahlen LASERSTRAHLEN: DIE AUGEN NICHT DIREKTEN STRAHLEN AUSSETZEN

Weitere Richtlinien und Programme zur sicheren Benutzung von Lasergeräten finden Sie in der Norm ANSI Z136.1 "For Safe Use of Lasers", die vom Laser Institute of America: www.laserinstitute.org bezogen werden kann. Viele lokale Behörden, Unternehmen, Agenturen, das Militär und andere Einrichtungen erfordern eine Benutzung von Lasergeräten gemäß der Norm ANSI Z136.1. Die Richtlinie "Laser Display" kann über die International Laser Display Association: www.laserist.org bezogen werden kann.

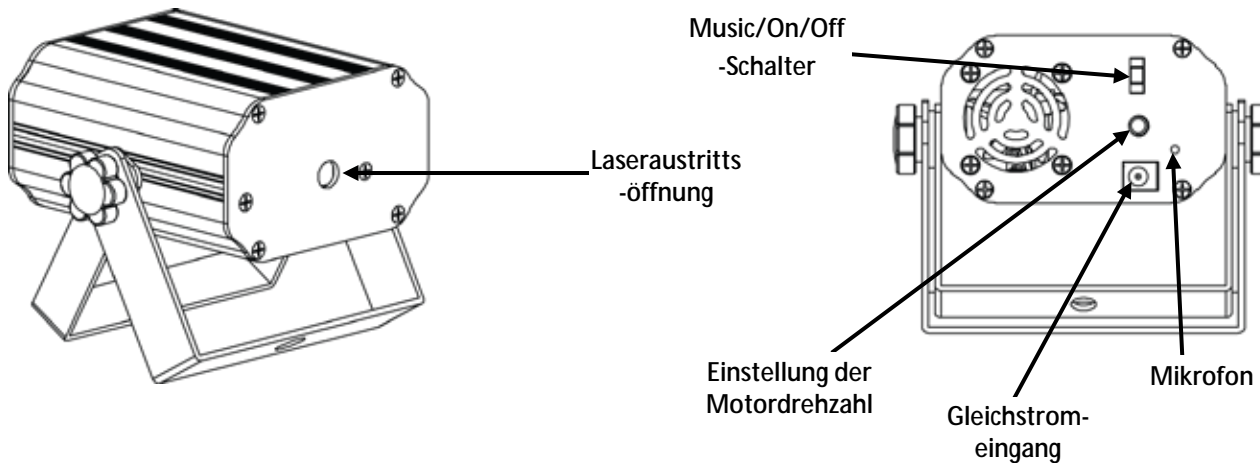
Laseremissionsdaten	Laserklassifizierung	Class 3R
Gemäß der Messung unter den IEC-Messbedingungen zur Klassifizierung	Grüner Laser	DPSS Nd:YVO4, 532 nm/30 mW
	Roter Laser	LD GaAlAs, 650 nm/100 mW
	Beam Diameter	<5 mm am Austritt
	Pulse Data	Alle Impulse < 4 Hz (>0.25 sec)
	Divergence (each beam)	<2 mrad
	Divergence (total light)	<160 degrees
	Laser Power of Each Beam from Aperture	<5 mW

Laser-Konformitätserklärung Diese Lasergerät entspricht EN/IEC 60825-1 Ed 2, 2007-03 und den US-Bestimmungen FDA/CDRH FLPPS per den Bestimmungen der Laser Notice Nr. 50, vom 24. Juni 2007. Dieses Lasergerät ist ein Produkt der Klasse 3R. (Klasse 3R ist international gleichwertig mit der US-Klasse IIIa.) Zur Wahrung der Konformität des Geräts bezüglich der Laserleistungsstandards sind keine Wartungsarbeiten erforderlich.

2. EINLEITUNG

Übersicht

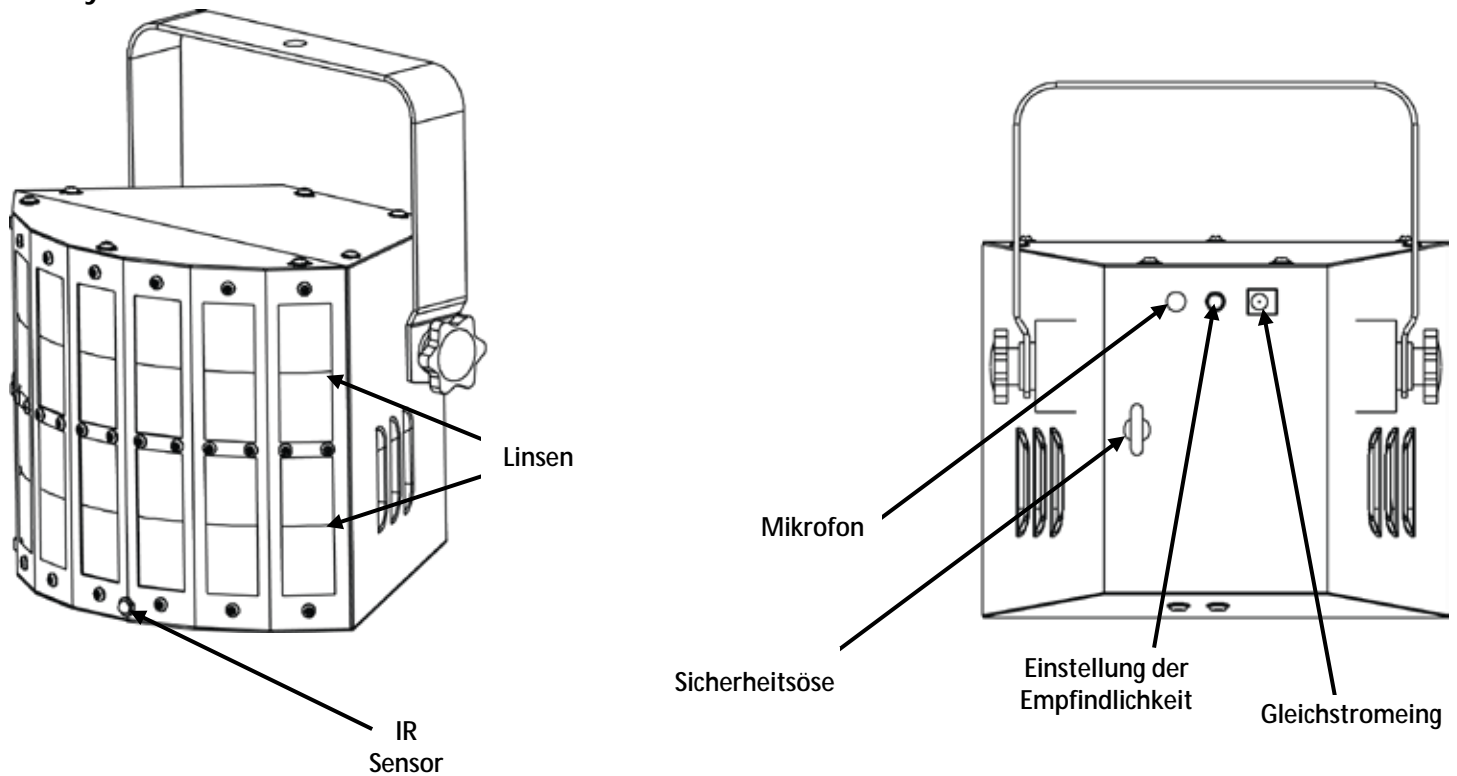
Laser



Vorderansicht

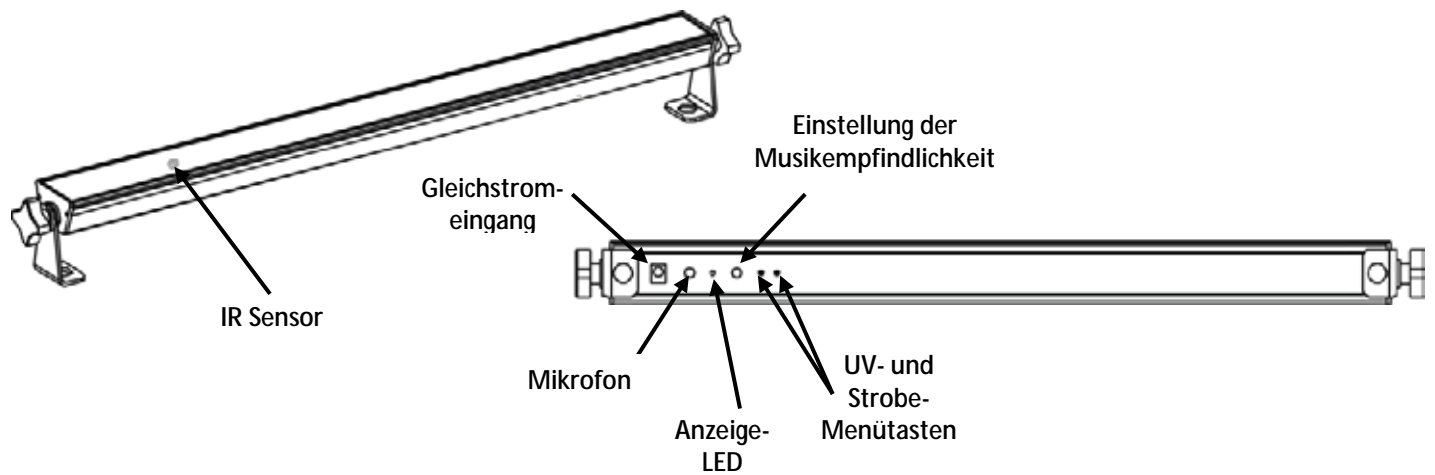
Ansicht des rückwärtigen

Derby



Übersicht (Fortsetzung)

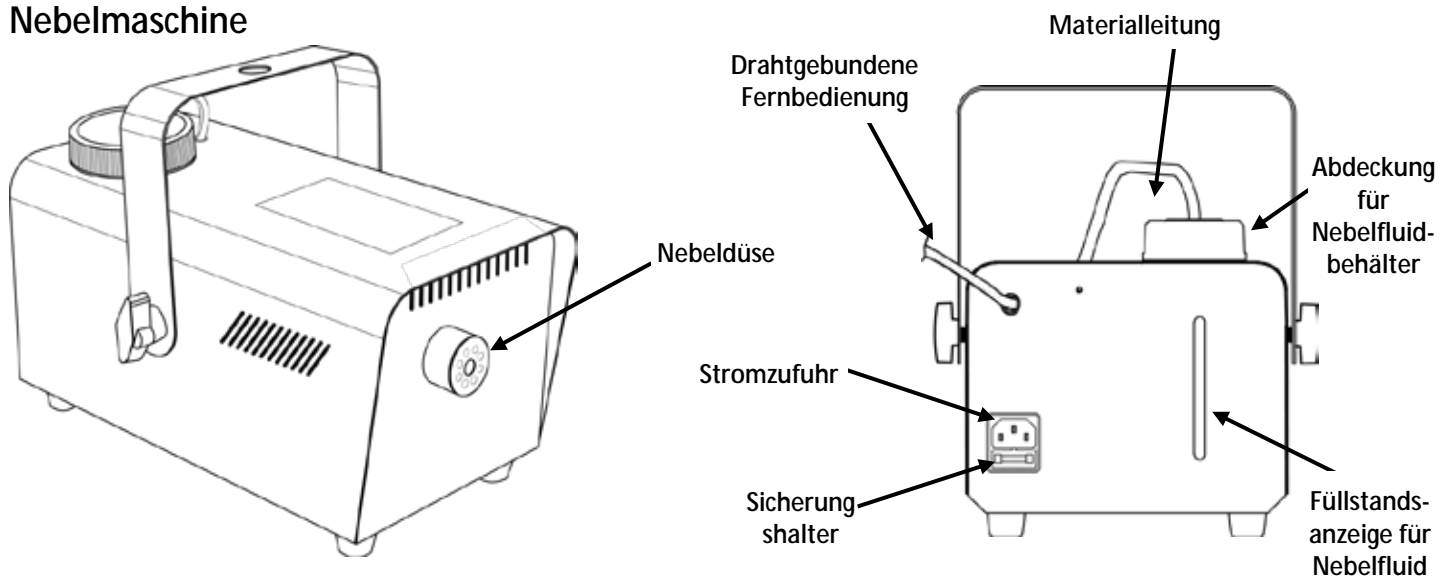
UV-Strobe-Kombi



Vorderansicht

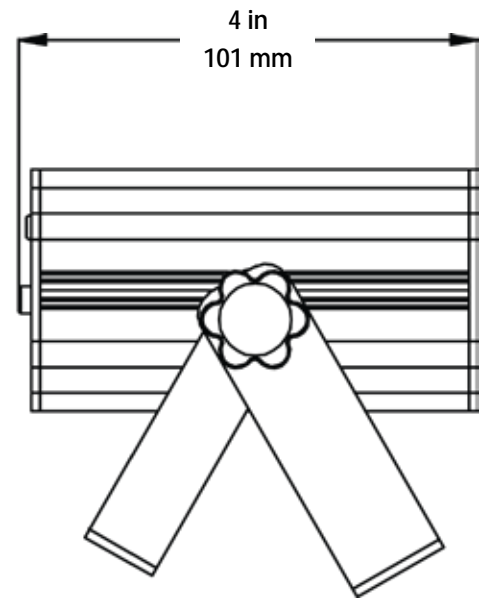
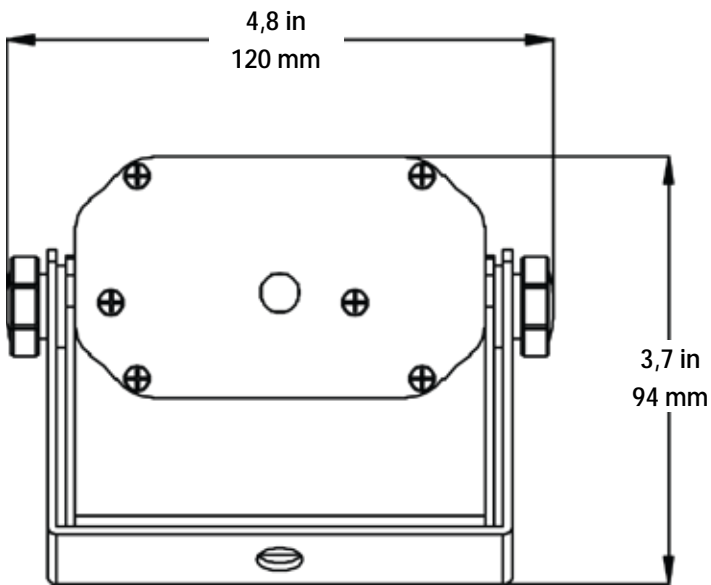
Ansicht des rückwärtigen Bedienfelds

Nebelmaschine

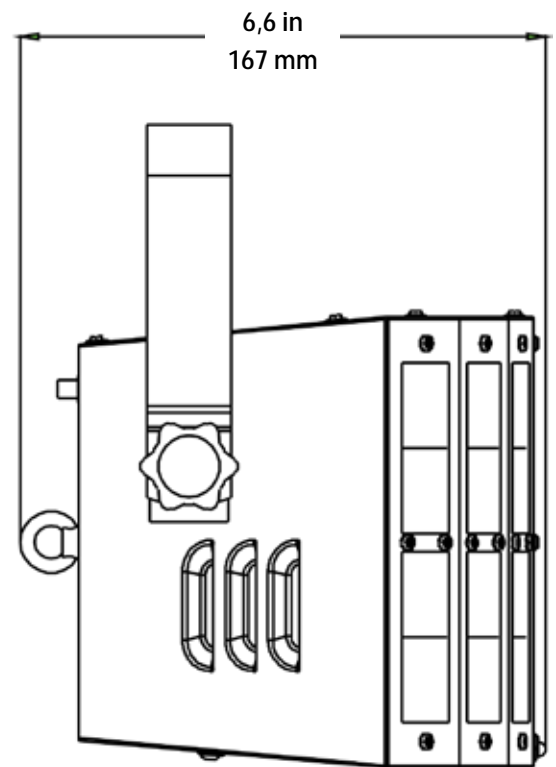
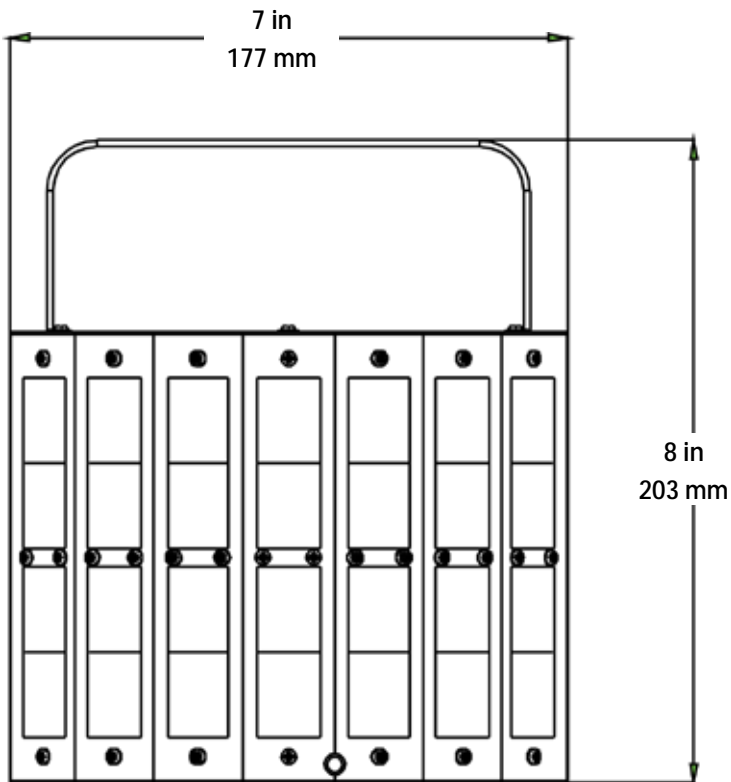


Abmessungen

Laser

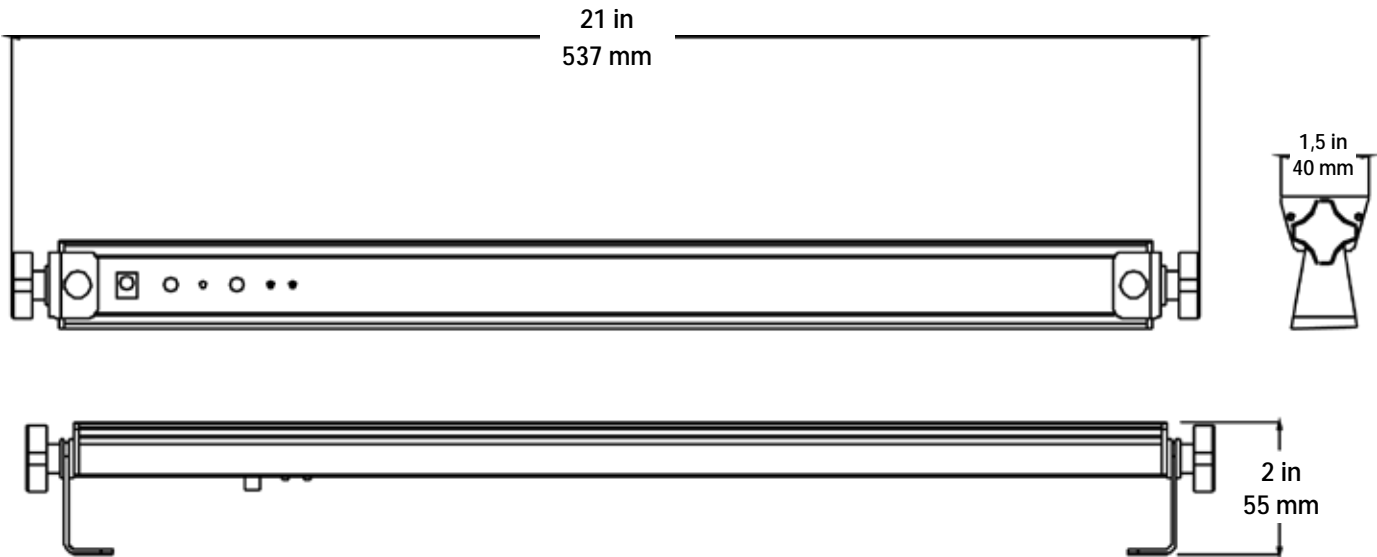


Derby

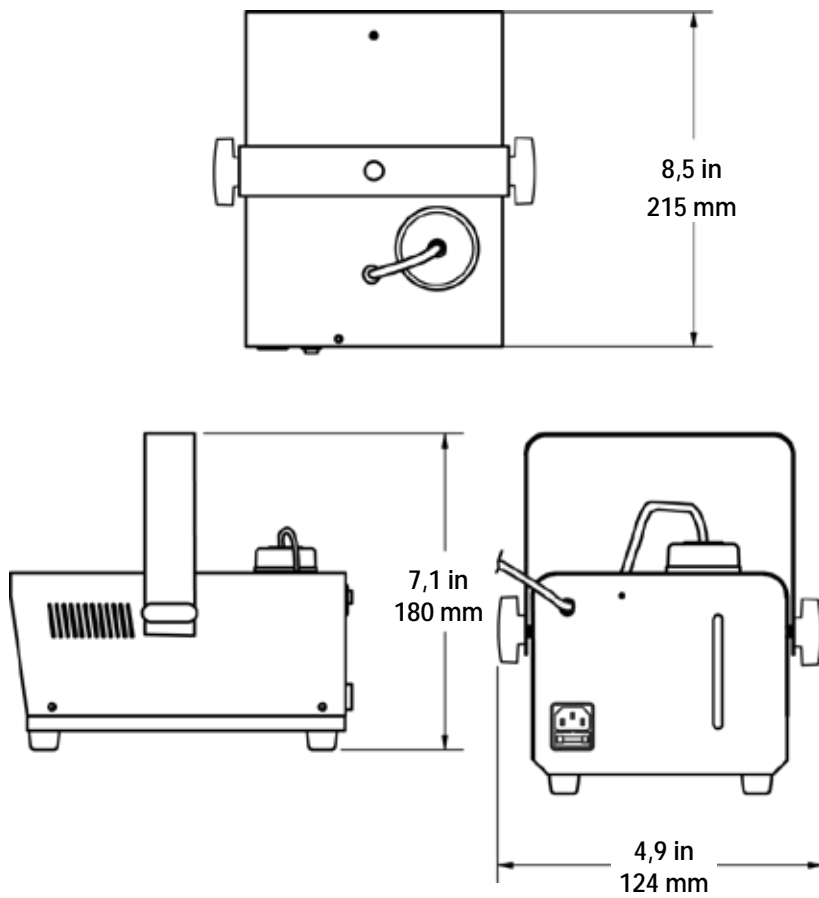


Abmessungen (Fortsetz.)

UV-Strobe-Kombi



Nebelmaschine



3. EINRICHTEN DES GERÄTS

Geräteschalter der Nebelmaschine

Die Nebelmaschine JAM Pack™ Gold verfügt über ein festes Netzteil, das mit einer Eingangsspannung von 120 V AC bei 60 Hz arbeiten kann.

Die aktuell aufgeführten Werte entsprechen dem durchschnittlichen Stromverbrauch des Geräts unter normalen Bedingungen.



- **Schließen Sie dieses Gerät nur an einen abgesicherten Stromkreislauf (Leistungsschalter oder Sicherung) an. Stellen Sie sicher, dass das Gerät entsprechend an die Masse angeschlossen ist, um die Gefahr elektrischer Schläge oder eines Brands zu vermeiden.**
- **Um unnötigen Verschleiß zu vermeiden und die Lebensdauer des Geräts zu verlängern, trennen Sie während längerer Perioden des Nichtgebrauchs das Gerät vom Stromnetz – entweder per Trennschalter oder durch Herausziehen des Steckers aus der Steckdose.**



Schließen Sie dieses Gerät niemals an einen Regelwiderstand oder Dimmer an, auch nicht, wenn der Regelwiderstand oder Dimmer nur als 0 bis 100% Schalter dient.

Auswechseln der Sicherung der Nebelmaschine

1. Trennen Sie die Nebelmaschine vom Stromnetz.
2. Klemmen Sie die Spitze eines Flachkopfschraubendrehers in den Schlitz des Sicherungshalters.
3. Hebeln Sie die Sicherheitsabdeckung vom Gehäuse ab.
4. Entfernen Sie die durchgebrannte Sicherung von der Klemme am Vorderteil der Sicherheitsabdeckung, und ersetzen Sie diese durch eine Sicherung des gleichen Typs und mit den gleichen Werten.
5. Stecken Sie den Sicherungshalter wieder zurück, und schließen Sie das Gerät an das Stromnetz an.



Im Lieferumfang ist keine Ersatzsicherung enthalten; unter der Sicherheitsabdeckung ist jedoch Platz für eine Ersatzsicherung.



Achten Sie beim Auswechseln der Sicherung darauf, immer den gleichen Typ mit den gleichen Werten zu verwenden.

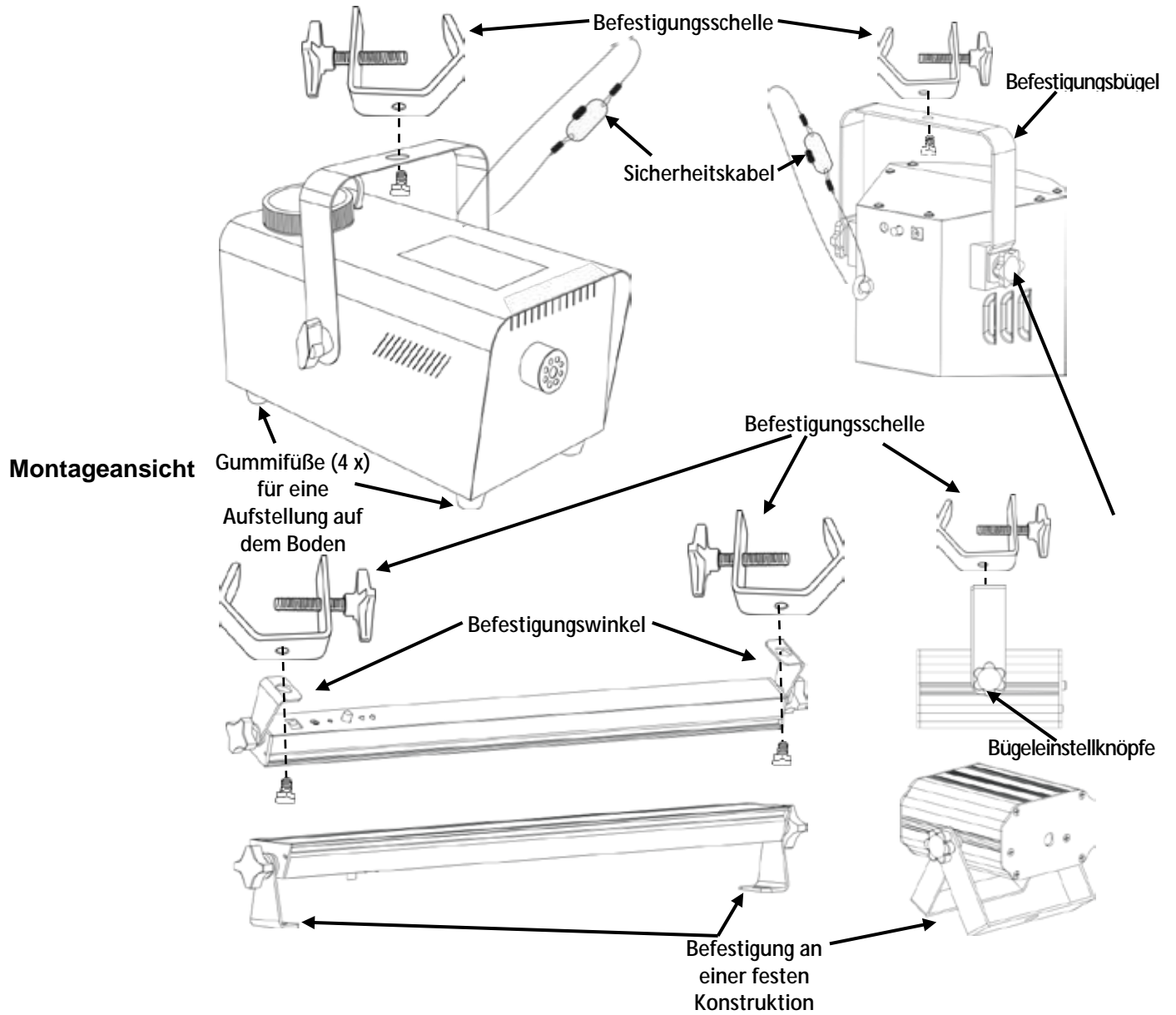
Externe Netzkabel für Wechselstrom

Die Produkte des JAM Pack™ Gold (ausgenommen die Nebelmaschine) verfügen über ein externes Vorschaltgerät, das automatisch die anliegende Spannung erkennt, sobald der Netzstecker in die Schukosteckdose gesteckt wird, und können mit einer Eingangsspannung von 100~240 V AC, 50/60 Hz betrieben werden.

Montage Lesen Sie vor der Montage des Geräts die in den [Sicherheitshinweisen](#) enthaltenen Sicherheitsempfehlungen durch. JAM Pack™ Gold-Produkte können an einer festen Konstruktion (Wand) befestigt werden; bei einer Montage über Kopf verwenden Sie die Befestigungsbohrungen, dazu eine Schraube/Mutter und Schraube oder Hängebügel. Berücksichtigen Sie bei hängender Montage die routinemäßigen Wartungsarbeiten. Bitte lesen Sie die folgenden Hinweise zur Installation.

Montagerichtung JAM Pack™ Gold-Produkte müssen in einer Position befestigt werden, die einen sicheren Betrieb des Lasers erlaubt. Sorgen Sie zudem dafür, dass das Gerät ausreichend belüftet ist.

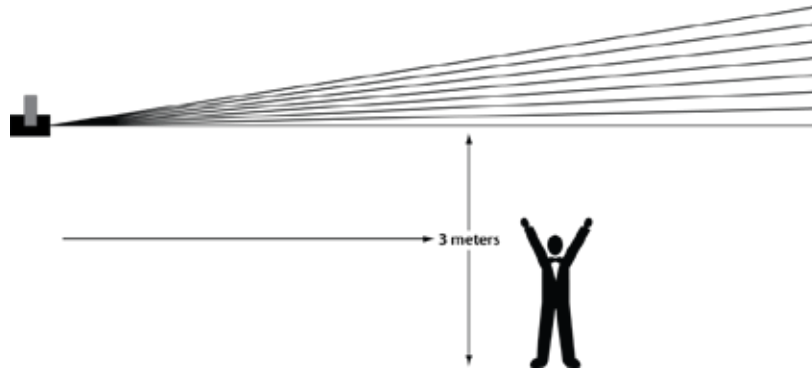
- Installation (hängende Montage)**
- Bevor Sie sich für eine Montagestelle entscheiden, müssen Sie bedenken, dass das Gerät zur Wartung und Programmierung immer leicht zugänglich ist.
 - Stellen Sie sicher, dass die Struktur oder Oberfläche, an oder auf die Sie das Gerät montieren, dessen Gewicht tragen kann (siehe [Technische Daten](#)).
 - Bei Montage über Kopf immer ein Sicherungskabel verwenden. Befestigen Sie das Gerät sicher an einem Aufhängepunkt, was etwa ein erhöhtes Podest oder ein Gerüstelement sein kann.
 - Mit den Bügeleinstellknöpfen lässt sich die winklige Ausrichtung des Geräts justieren. Lockern Sie die Drehknöpfe, stellen Sie den gewünschten Winkel ein und ziehen Sie dann die Knöpfe im Uhrzeigersinn fest. Verwenden Sie für diesen Schritt kein Werkzeug, da sonst Schäden am Gerät entstehen könnten.



Bestimmungsgemäße Verwendung

Das Laser-Gerät ist nur für eine Befestigung über Kopf bestimmt. Chauvet empfiehlt, aus Sicherheitsgründen den Lichteffekt auf festen, erhöhten Plattformen oder an festen Befestigungsstützen mit geeigneten Befestigungsschellen zu befestigen. Verwenden Sie immer Sicherheitskabel. Geeignetes Material erhalten Sie bei Ihrem Fachhändler für Lichteffektgeräte.

Gemäß den internationalen Laser-Sicherheitsbestimmungen müssen Laserprodukte wie unten abgebildet eingesetzt werden, d. h., mit einem vertikalen Mindestabstand von 3 m zwischen dem Boden und dem niedrigsten Laserlicht. Hinzu kommt ein horizontaler Abstand von 3 m zwischen Laserlicht und Publikum sowie anderen öffentlichen Bereichen.



VORSICHT! Die Ausführung von Befehlen, Einstellungen und Handlungen, die nicht in dieser Anleitung beschrieben sind, können zu gefährlichen Laserstrahlungen führen.

4. BETRIEB

Dieses Laser-Produkt eignet sich nicht für eine permanente Installation. Regelmäßige Betriebspausen sind wichtig, um die Lebensdauer dieses Geräts zu erhöhen. Immer den Netzstecker abziehen, wenn die JAM Pack™ Gold-Produkte längere Zeit nicht benutzt wird.

Drahtgebundene Fernbedienung der Nebelmaschine

Steuern Sie die Nebelmaschine mit beiliegender drahtgebundener Fernbedienung an. Die LED-Anzeige auf der Fernbedienung zeigt an, wenn die Nebelmaschine die erforderliche Betriebstemperatur erreicht hat. Zum kurzzeitigen Nebelausstoß betätigen Sie die Taste auf der Fernbedienung. Die Länge des Kabels der drahtgebundenen Fernbedienung beträgt 4 m (13 Fuß).

Betrieb des Bedienfelds für UV-Strobe

Taster	Funktion
<UV ON/OFF>	Schaltet das UV-Schwarzlicht ein oder aus.
<STROBE MODE>	Steuert den Strobe-Modus.



- Die Anzeige-LED blinkt, sobald der Strobe-Modus eingeschaltet ist.
- Die Anzeige-LED leuchtet dauerhaft, wenn sich das Gerät im Musiksteuerungs-Modus befindet.

UV-Strobe-Kombi Strobe-Modi

	Funktion	Unteroption	LED-Status
Strobe-Modi	Sehr schnell (20-30 Hz)	1 x drücken	Blinken
	Schnell (10-20 Hz)	2 x drücken	Blinken
	Mittel (5-10 Hz)	3 x drücken	Blinken
	Langsam (1-5 Hz)	4 x drücken	Blinken
	Sehr langsam (0,5-1 Hz)	5 x drücken	Blinken
Aus		6 x drücken	Statisch ein
Musiksteuerungs-Modus		7 x drücken	Statisch ein
Statisch ein		8 x drücken	Statisch ein












Betrieb des Steuer- schalters für das Laser- Gerät.









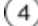
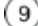
Taster	Funktion
<MUSIC/ON/OFF>	Schaltet den Musiksteuerungs-Modus ein und aus.

IRC-6- Fernbedienung (Infrarot- Fernbedienung)

JAM Pack™ Gold-Produkte sind mit Ausnahme des Laser-Geräts und der Nebelmaschine kompatibel mit der Fernbedienung IRC-6 von Chauvet.

Die folgenden Tasten der IRC-6-Fernbedienung werden für JAM Pack™ Gold-Produkte verwendet:

	Schaltet LED ein oder aus
	Wählt den Musiksteuerungs-Modus aus
	Startet/stoppt den Stroboskopeffekt (0–20 Hz)
	Wählt den Auto-Modus aus
	Erhöht oder senkt die Blitzfrequenz
	
	Statisches Rot
	Statisches Grün
	Statisches Blau
	Schaltet UV ein/aus für UV-Strobe
	Schaltet Weiß ein/aus für UV-Strobe

	rot/grün/blau		grün/blau
	rot		blau
	rot/grün		rot/blau
	rot/grün		rot/blau
	grün		rot/grün

       Keine Funktion



Aus einer gewissen Entfernung reagieren alle Produkte mit Ausnahme des Laser-Geräts und der Nebelmaschine auf die Fernbedienung IRC-6 gleichzeitig, wenn sie sich eng nebeneinander befinden. Zur Auswahl eines einzelnen Produkts muss die Fernbedienung IRC-6 genau auf dieses Gerät gerichtet werden.

5. TECHNISCHE INFORMATIONEN

Allgemeine Produkt-wartung

Staubablagerungen reduzieren die Lichtabgabe und können zu Überhitzung führen. Zum Erhalt der optimalen Leistungsfähigkeit sollten Sie das Gerät mindestens zweimal pro Monat reinigen. Allerdings hängt die Häufigkeit der Reinigungen von der Nutzung und den Umgebungsbedingungen ab.

Zum Reinigen des Geräts befolgen Sie die Anweisungen unten:

1. Trennen Sie das Gerät vom Stromnetz.
2. Warten Sie, bis das Gerät auf Raumtemperatur abgekühlt ist.
3. Verwenden Sie einen Staubsauger (oder Druckluft) sowie eine weiche Bürste, um den Staub auf der Oberfläche des Geräts und in den Lüftungsbereichen zu entfernen.
4. Reinigen Sie das Glas der Austrittsöffnung (Laser-Austrittsöffnung) mit einer milden Glasreinigerlösung ohne Ammoniak oder mit Isopropylalkohol.
5. Geben Sie die Lösung direkt auf ein weiches, faserfreies Baumwolltuch oder Linsenreinigungstuch.
6. Wischen Sie sanft Schmutz oder Ablagerungen in Richtung der Außenkanten des Glases.
7. Polieren Sie sorgfältig diese transparente Oberfläche, bis alle Schmutzfilme und Fasern verschwunden sind.



Trocknen Sie die optischen Oberflächen immer sorgfältig nach der Reinigung.



Drehen Sie das Gebläse nicht mit Druckluft, da dies zu Schäden führen kann.

Vermeiden Sie Verstopfungen der Nebelmaschine. Spülen Sie das System nach jeweils 40 Stunden Dauerbetrieb mit Fog Cleaner Quart (FCQ) von CHAUVET®, um eine Anhaftung von Feststoffen am Heizelement zu verhindern.

Das empfohlene Reinigungsverfahren lautet wie folgt:

1. Trennen Sie das Gerät vom Stromnetz.
2. Lassen Sie das Nebelfluid vollständig aus der Maschine ab.
3. Geben Sie eine Reinigungslösung in den Tank.
4. Schließen Sie das Produkt am Stromnetz an, und warten Sie, bis es sich aufgeheizt hat.
5. Lassen Sie das Gerät in gut durchlüfteter Umgebung solange laufen, bis der Tank fast leer ist. Die Pumpe nicht trocken laufen lassen.
6. Füllen Sie einfach Nebelfluid nach, um mit dem Betrieb der Nebelmaschine fortzufahren. Lassen Sie die Nebelmaschine kurz laufen, damit das verbleibende Reinigungsmittel vollständig aus Pumpe und Heizelement entfernt ist.

Wartung der Nebelmaschine



Die Nebelmaschine nie ohne Nebelfluid in Betrieb nehmen.



FCQ (Fog Cleaner Quart) wurde von Chauvet speziell zur Reinigung Ihres Hurricane™ 700 entwickelt. Stellen Sie eine regelmäßige Reinigung mit FCQ sicher, maximal in Abständen von jeweils 90 Tagen; dadurch verlängert sich die Lebensdauer Ihrer Nebelmaschine.

Lagerung

Lassen Sie vor einem Einlagern der Nebelmaschine FCQ durch das System laufen, wie im oberen Reinigungsverfahren beschrieben; führen Sie dabei jedoch nur Schritt 1 bis 5 aus. Füllen Sie bei einer Einlagerung der Nebelmaschine den Tank nicht erneut mit Nebelfluid. Eine Reinigung vor der Einlagerung verhindert ein Kondensieren der Partikel im Innern der Pumpe und des Heizelements während des Nichtgebrauchs.



Lassen Sie Ihre Nebelmaschine einmal monatlich testweise laufen, um eine größtmögliche Leistungsfähigkeit zu erhalten.

6. NEBELMASCHINE – ALLGEMEINE FEHLERSUCHE

Anzeigen	Mögliche Ursache	Mögliche Abhilfe
Kein Ausstoß oder Nebelmaschine "spuckt" Fluid aus	Falsches Fluid	Reinigen Sie das Gerät sorgfältig mit FCQ von CHAUVET®. Die vollständigen Anweisungen finden Sie unter Wartung der Nebelmaschine . Füllen Sie mit Nebelfluid auf Wasserbasis von CHAUVET® wieder auf.
	Verstopfte Leitung oder ausgefallenes Bauteil	Wenden Sie sich an den Kundendienst.
Leistungsschalter oder Sicherung lösen immer aus/brennen immer durch	Überbelastung des Schaltkreises	Stellen Sie sicher, dass die Gesamtlast nicht 80 % des Nennstroms des Leistungsschalters oder der Sicherung überschreitet.
	Kurzschluss in den stromführenden Kabeln	Überprüfen Sie die stromführenden Kabeln.
Das Gerät schaltet nicht ein	An der Steckdose liegt kein Strom an	Prüfen Sie die Steckdose. Probieren Sie eine andere Steckdose.
	Lockerer oder beschädigtes Stromkabel	Prüfen Sie das Stromkabel.
	Durchgebrannte Sicherung	Entfernen Sie die durchgebrannte Sicherung, und ersetzen Sie diese durch eine Sicherung des gleichen Typs und mit den gleichen Werten.
	Internes Problem	Schicken Sie das Produkt zur Reparatur ein
Das Produkt pumpt nicht mehr/erzeugt ein lautes Geräusch	Niedriger Fluidstand/kein Fluid	Füllen Sie das Produkt mit Fluid wieder auf.
	Pumpenschutz aktiviert	Lassen Sie die Taste für den manuellen Nebelausstoß los, und drücken Sie sie erneut, um den Pumpenschutz zurückzusetzen.



Sollten nach Durchführung dieser Abhilfemaßnahmen immer noch Probleme auftreten, wenden Sie sich an den Technischen Support von Chauvet. Siehe [Kontakt](#).

7. TECHNISCHE DATEN

Abmessungen und Gewicht

JAM Pack™ Gold

	Länge	Breite	Höhe	Gewicht
Mini-Laser	4 in. (101 mm)	4,8 in. (120 mm)	3,7 in. (94 mm)	0,6 lb
Nebelmaschine	8,5 in. (215 mm)	4,9 in. (124 mm)	7,1 in. (180 mm)	4 lb
Mini-Derby	6,6 in. (167 mm)	7 in. (177 mm)	8 in. (203 mm)	2,4 lb
UV-Strobe	21 in. (537 mm)	1,5 in. (40 mm)	2 in. (55 mm)	0,6 lb

Hinweis: Abmessungen in Zoll sind auf die nächste Dezimalstelle gerundet.

Leistungsaufnahme	Wert	Laser, Derby, UV-Strobe	Externes Netzkabel	Nebelmaschine	
Eingangsspannung		Festwert	Schaltend	Festwert	
Bereich		12 VDC, 1 A	100-240 VAC, 50/60 Hz	120 VAC, 60 Hz	
Spannungsschalter		Festwert	autom. Spann.-Erkennung	Festwert	
	Parameter (120 V, 60 Hz)	Nebelmaschine	Derby	Laser	UV-Strobe
	Stromverbrauch	471 W	10 W	4 W	12 W
	Betriebsstromstärke	3,9 A	150 mA	68 mA	180 mA
	Sicherung	F 5 A / 250 V	k.A.	k.A.	k.A.

Nebelmaschine	I/O-Eingangsbuchse	USA/weltweit
	Stromeingangsbuchse	IEC
	Netzkabelstecker	Edison (USA)

Laser, Derby und UV-Strobe	I/O-Eingangsbuchse	USA/weltweit
	Stromeingangsbuchse	DC-Stromeingang
	Netzteil	AC-Adapter für 12 VDC

Leuchtquelle

Laser	Typ	Leistungsaufnahme	Wellenlänge:
	Laser (grün)	30 mW	532 nm
	Laser (rot)	100 mW	650 nm

LED

Derby	Typ	Leistungsaufnahme	Betriebsdauer
	LED	6 W	50.000 Stunden
	Farbe	Menge	Strom
	Rot	1	1,76 A
	Grün	1	1,76 A
	Blau	1	1,76 A
UV-Strobe	Typ	Leistungsaufnahme	Betriebsdauer
	LED (CW)	600 mW	50.000 Stunden
	LED (UV)	1,05 W	50.000 Stunden
	Farbe	Menge	Strom
	weiß	4	190 mA
	UV	5	310 mA

JAM Pack™ Gold (cont.)

Nebelmaschine

Betrieb/Kapazität/Verbrauch	Aufheizzeit	Fassungsvermögen des Behälters	Flüssigkeitsverbrauch
	2,5 min	0,2 Gallonen (0,6 l)	7,5 ml/min
Sonstiges	Ausgang		
	40 m ³ /Minute (1.500 cfm)		
Drahtgebundene Fernbedienung	Länge		
	13 ft. (4 m)		
Thermo-Eigenschaften	Allgemeine max. externe Temp.	Max. externe Temp. für das Laser-Gerät	Kühlsystem
	104 °F/40 °C	90 °F/35 °C	Gebälse- und konvektionsgekühlt
Bestellung	Produktbezeichnung	Artikelcode	UPC-Code
	JAM Pack™ Gold	10050956	781462213046



REKLAMATIONEN

Wenn Sie Unterstützung benötigen oder ein Gerät zurückgeben möchten:

- Wenn Sie Ihren Wohnsitz in den USA haben, wenden sich an Chauvet World Headquarters.
- Wenn Sie Ihren Wohnsitz in GB oder Irland haben, wenden Sie sich an Chauvet Europe Ltd.
- Wenn Sie Ihren Wohnsitz in Mexiko haben, wenden Sie sich an Chauvet Mexiko.
- Wenn Sie Ihren Wohnsitz in Benelux, wenden Sie sich an Chauvet Europe BVBA.
- Wenn Sie in einem anderen Land leben, wenden Sie sich NICHT an Chauvet. Wenden Sie sich stattdessen an Ihren lokalen Lieferanten. Unter www.chauvetlighting.com finden Sie die Lieferanten außerhalb der USA, GB, Irland, Mexiko oder Benelux.



Kunden außerhalb der USA, GB, Irland, Mexiko oder Benelux wenden sich an den aufgeführten Lieferanten und befolgen die Anweisungen zum Zurücksenden der Geräte von Chauvet. Um zu den Kontaktdaten zu gelangen, besuchen Sie bitte unsere Website unter www.chauvetlighting.com.

Nehmen Sie telefonisch Kontakt mit dem Technischen Support von Chauvet auf, und fordern Sie vor dem Verschicken eine Warenrücksendegenehmigungsnummer (RMA) an. Seien Sie darauf vorbereitet, die Modellnummer, Seriennummer und eine kurze Beschreibung des Grundes für das Zurückschicken angeben zu können.

Senden Sie die Ware frei, in der Originalverpackung und mit den originalen Zubehörteilen zurück. Chauvet lässt keine Retouren abholen.

Schreiben Sie die RMA gut leserlich auf die Verpackung. Chauvet weist alle Waren zurück, die keine RMA besitzen.



Schreiben Sie die RMA auf ein ordnungsgemäß angebrachtes Hinweisschild. Die RMA NICHT DIREKT auf den Karton schreiben.

Bevor Sie die Ware versenden, schreiben Sie klar und deutlich folgende Informationen auf einen Bogen Papier und legen ihn in die Verpackung.

- Ihr Name
- Ihre Adresse
- Ihre Telefonnummer
- RMA-Nummer
- Eine kurze Problembeschreibung

Achten Sie auf eine sachgemäße Verpackung der Ware. Schäden, die durch unsachgemäßes Verpacken entstanden sind, liegen in Ihrer Verantwortung. Eine FedEx-Verpackung oder doppelte Verpackung wird empfohlen.



Chauvet behält sich das Recht vor, nach eigenem Ermessen über Reparatur oder Ersatz der Ware zu befinden.

KONTAKT

WORLD HEADQUARTERS - Chauvet

Allgemeine Informationen

Adresse: 5200 NW 108th Avenue
Sunrise, FL 33351
Tel.: (954) 577-4455
Fax: (954) 929-5560
kostenfrei: (800) 762-1084

Technischer Support

Tel.: (954) 577-4455 (4 drücken)
Fax: (954) 756-8015
E-Mail: tech@chauvetlighting.com

World Wide Web www.chauvetlighting.com

GB UND IRLAND - Chauvet Europe Ltd.

Allgemeine Informationen

Adresse: Unit 1C
Brookhill Road Industrial Estate
Pinxton, Nottingham, GB
NG16 6NT
Tel.: +44 (0)1773 511115
Fax: +44 (0)1773 511110

Technischer Support

E-Mail: uktech@chauvetlighting.com

World Wide Web www.chauvetlighting.co.uk

MEXIKO - Chauvet Mexiko

Allgemeine Informationen

Adresse: Av. Santa Ana 30
Parque Industrial Lerma
Lerma, Mexico C.P. 52000
Tel.: +52 (728) 285-5000

Technischer Support

E-Mail: servicio@chauvet.com.mx

World Wide Web www.chauvet.com.mx

CHAUVET EUROPE - Chauvet Europe BVBA

General Information

Adresse: Stokstraat 18
9770 Kruishoutem
Belgium
Tel: +32 9 388 93 97

General Information

Address: Stokstraat 18
9770 Kruishoutem
Belgium
Voice: +32 9 388 93 97

Kunden außerhalb der USA, GB, Irland Mexiko oder Benelux wenden sich an ihren Lieferanten. Befolgen Sie die Anweisungen zum Erhalt von Unterstützung oder zur Rückgabe eines Produkts. Um zu den Kontaktdaten zu gelangen, besuchen Sie bitte unsere Website.

1. VOORDAT U BEGINT

Wat is er inbegrepen

- Laser
- Derby
- Rookmachine
- UV-stroboscoop combinatie
- IRC-6 afstandsbediening
- Stroomsnoer
- 3 voedingsmodules
- CHAUVET® rookvloeistof (FJP)
- Garantiekaart
- Gebruikershandleiding

Beschrijving

- De JAM (Just Add Music) Pack™ Gold is het ultieme alles-in-een feeststelsel, dat omvat:
- Een laser met tweekleurig laserlicht dat een dynamisch rood en groen patroon creëert in automatische of actieve geluidsmodus.
 - Een driekleurig licht met derby-effect met krachtige rode, groene en blauwe LED's die achter 28 lenzen zijn geplaatst. IRC-6 op afstand regelbare motorsnelheid en actieve geluidsprogramma's of automatische programma's, waardoor iedereen direct amusement kan creëren.
 - Een compacte rookmachine, die grote uitbarstingen van rook op waterbasis uitstoot, om elke lichtshow te verbeteren. Een flesje rookvloeistof op waterbasis is inbegrepen om direct te kunnen gebruiken.
 - Een UV-wash en stroboscoopcombinatie in een blacklightstrook met de mogelijkheid helder wit te knippen terwijl het coole UV-washeffect behouden blijft. U kunt de snelheid van de stroboscoop handmatig wijzigen of het instellen naar automatische of geluidsactieve modi. Ook compatibel met de IRC-6.

Uitpakinstructies

Pak het product direct voorzichtig uit en controleer de doos om te controleren of alle onderdelen in de verpakking zitten en in goede conditie zijn.

Claims




Als de doos of de inhoud (het product en meegeleverde accessoires) beschadigd zijn door de verzending of tekenen van ruwe behandeling vertonen, laat dit dan onmiddellijk weten aan de vervoerder en niet aan Chauvet. Als u dit niet tijdig doet, kan uw claim bij de vervoerder verlopen. Daarnaast moet u de verpakking en al het verpakkingsmateriaal bewaren voor inspectie.

Voor andere problemen, zoals missende componenten of onderdelen, schade die niet is veroorzaakt door de verzending, kunt u binnen 7 dagen na ontvangst een claim indienen bij Chauvet.

Conventies van deze handleiding

Conventie	Betekenis
1-512	Een reeks waarden
50/60	Een set waarden waarvan er slechts één gekozen kan worden
Settings	Een menuoptie die niet gewijzigd kan worden
Menu > Settings	Een reeks menuopties die gevolgd moet worden
<ENTER>	Een toets die op het bedieningspaneel van het product moet worden ingedrukt
ON	Een waarde die ingevuld of geselecteerd moet worden

Symbolen

Symbol	Betekenis
	Kritieke installatie-, configuratie- of bedieningsinformatie. Het negeren van deze informatie kan ervoor zorgen dat het product niet werkt, beschadigd raakt of leidt tot letsel van de gebruiker.
	Belangrijke installatie- of configuratie-informatie. Als deze informatie niet wordt gebruikt kan het product niet correct functioneren.
	Nuttige informatie.

Veiligheidsvoorschriften

De Veiligheidsvoorschriften bevatten belangrijke veiligheidsinformatie met betrekking tot het lasersysteem. Zorg dat u alle instructies hebt gelezen en begrepen voordat u de laser voor de eerste keer inschakelt. Het kennen van deze veiligheidsinstructies is cruciaal voor het vermijden van oogletsel door de laser en het overtreden van de wet. Bewaar deze gebruikershandleiding voor toekomstige naslag op een veilige plek.

STOP EN LEES EERST ALLE VEILIGHEIDSGEGEVENS MET BETREKKING TOT



DE LASER



- Lasers kunnen gevaarlijk zijn en hebben unieke veiligheidsvoorschriften. Als lasers onjuist worden gebruikt kan dit leiden tot permanent oogletsel en blindheid. Let goed op elke veiligheidsKENMERK en elke WAARSCHUWING in deze gebruikershandleiding. Lees VOORDAT u het apparaat gebruik zorgvuldig alle instructies.
- Sluit het product altijd aan op een geaard circuit om elektrocutierisico's uit te sluiten.
- Ontkoppel het product vóór het schoonmaken altijd eerst van de voedingsbron.
- Vermijd directe blootstelling van het oog aan de lichtbron als het product in werking is.
- Zorg ervoor dat het stroomsnoer niet knikt of beschadigd.
- Koppel het product nooit los van het stopcontact door aan het snoer te trekken of te rukken.
- Als het product boven het hoofd wordt geplaatst, moet u het altijd met een veiligheidskabel vastmaken aan een bevestigingsmiddel.
- Controleer dat er tijdens gebruik geen ontvlambare materialen dichtbij het product staan.
- Raak de behuizing van het product tijdens gebruik niet aan, omdat het zeer warm kan worden.

- Dit product is niet bedoeld voor permanente installatie.
- Controleer altijd of de spanning van het stopcontact waar u het product op aansluit binnen het bereik is dat staat vermeld op de sticker of het achterpaneel van het product.
- Het product is alleen geschikt voor gebruik binnenshuis! (IP20) Om het risico op brand en schokken te vermijden mag u het product niet blootstellen aan regen of vocht.
- Installeer het product op een locatie met voldoende ventilatie, op ten minste 50 cm afstand van aangrenzende oppervlakken.
- Zorg ervoor dat de ventilatiesleuven op de behuizing van het product nooit geblokkeerd worden.
- Sluit het product nooit aan op een dimmer.
- Gebruik altijd de bevestigingsbeugel om het product te dragen.
- Schakel het product niet kort na elkaar aan/uit. Dit verlaagt de levensduur van de laserdiode.
- Schud het product niet door elkaar. Vermijd brute kracht bij het monteren of gebruiken van dit product.
- Gebruik **ALTIJD** een veiligheidskabel bij het boven het hoofd plaatsen van het product.
- De maximale omgevingstemperatuur voor de derby, UV-stroboscoop en rookmachine is 40 °C. (104 °F). Gebruik deze producten niet bij hogere temperaturen.
- De omgevingstemperatuur voor de laser is 15 °C tot 35 °C. Gebruik dit product niet buiten dit temperatuurbereik.
- Stop direct met het gebruik van het product in geval van ernstige gebruiksproblemen.
- Repareer het product nooit zelf. Reparaties die worden uitgevoerd door onopgeleide personen kunnen leiden tot schade of storingen. Neem contact op met het dichtstbijzijnde bevoegde technische hulpcentrum.
- Niet gebruiken voor het opwarmen van ruimtes.
- Gebruik alleen rookvloeistof op waterbasis van CHAUVET®.
- Voordat u het product transporteert moet u het reservoir aftappen.
- Sluit om onnodige slijtage te verhinderen en de levensduur te verlengen tijdens periodes van niet-gebruik het product via stroomonderbreker of de stekker volledig van stroom af.



FCQ (Fog Cleaner Quart) is specifiek door Chauvet ontwikkeld om uw rookmachine te reinigen. Zorg ervoor dat u regelmatig FCQ gebruikt om de levensduur van uw product te verlengen.



LET OP! Het gebruik van bedieningselementen, wijzigingen of procedures anders dan DIE zijn gespecificeerd IN DEZE GEBRUIKERSHANDLEIDING, kan leiden tot blootstelling aan gevaarlijke straling.



- Vermijd direct oogcontact met het laserlicht. Nooit uw ogen of die van anderen opzettelijk blootstellen aan direct laserlicht.
- Dit laserproduct kan mogelijk direct oogletsel of blindheid veroorzaken als het laserlicht direct op de ogen valt.
- Het is illegaal en gevaarlijk om deze laser direct in publieksgebieden te schijnen, waar het publiek of ander personeel directe laserstralen of heldere reflecties in hun ogen kunnen krijgen.
- In de VS is het een misdrijf om een laser op een vliegtuig te richten.
- Het gebruik van bedieningselementen, wijzigingen of procedures anders dan die zijn gespecificeerd in deze gebruikershandleiding, kan leiden tot blootstelling aan gevaarlijke straling.
- **Probeer het product NOOIT zelf te repareren. Reparaties en onderhoud moeten worden uitgevoerd door een bevoegd monteur. Onbevoegde aanpassingen aan het product zijn om veiligheidsredenen verboden!**



- Bewaar deze gebruikershandleiding voor toekomstige naslag. Wanneer het product eigendom wordt van een andere gebruiker, moet dit document bij de laser worden bewaard.

Niet-bevestigde waarschuwing op de behuizing

- Dit apparaat bevat intern laserapparaten met hoog vermogen.
- Maak de laserbhuizing niet open, door mogelijke blootstelling aan onveilige laserstralingsniveaus.
- Het vermogen van de laser, dat toegankelijk is als het apparaat is geopend, kan directe blindheid, brandwonden en branden veroorzaken.

Veiligheidsvoorschriften voor de laser

STOP EN LEES EERST ALLE VEILIGHEIDSVOORSCHRIFTEN MET BETREKKING TOT DE LASER HIERONDER



Laserlicht verschilt van elk ander licht. Laserlicht kan oogletsel veroorzaken als het product niet goed is ingesteld en niet goed wordt gebruikt. Laserlicht is duizend maal geconcentreerder dan elk ander soort licht. Deze concentratie kan door het verbranden van het netvlies direct oogletsel veroorzaken (het lichtgevoelige deel aan de achterzijde van het oog). De warmte van laserlicht is niet voelbaar, maar het is voldoende om gebruikers van het product en het publiek te verwonden of te verblinden. Zelfs zeer kleine hoeveelheden laserlicht kunnen op grote afstand nog gevaarlijk zijn.

Neem **NOOIT** aan dat blootstelling aan een individueel laserlicht veilig is, zelfs niet een kleine straal die is afgesplitst van een grotere straal. Dit laserproduct gebruikt tientallen milliwatt aan laservermogen —Klasse 3B-niveaus intern—en verdeelt ze in eerdere stralen—Klasse 3R-niveaus. De individuele bundels van Klasse 3R-niveau zijn mogelijk gevaarlijk voor de ogen.

Neem **NOOIT** aan dat bewegend laserlicht veilig is. Laserlicht is nooit zonder risico. Aangezien er op elk moment oogletsel kan ontstaan, is het van kritiek belang om de kans op ELKE directe blootstelling van het oog te vermijden. In overeenstemming met veiligheidsvoorschriften voor lasers, is het niet legaal om lasers van Klasse 3R te richten op gebieden waar mensen blootgesteld kunnen worden, zelfs als de laser onder het gezicht van mensen is gericht, zoals op een dansvloer.



- Gebruik de laser niet zonder eerst alle veiligheidsinformatie en technische gegevens in deze handleiding gelezen en begrepen te hebben.
- Alle lasereffecten moeten ALTIJD worden opgesteld en geplaatst zodat het laserlicht ten minste 3 meter boven de vloer is waar mensen op staan. Zie de paragraaf [Correct gebruik](#) van deze handleiding.
- Na instelling, en voor openbaar gebruik, moeten de lasers getest worden om te controleren of ze goed functioneren. Dit product niet gebruiken als er een storing is gedetecteerd.
- De laser NIET gebruiken als het slechts een of twee bundels emitteert, in plaats van tientallen/honderden, aangezien dit aangeeft dat er schade is aan het optische element van het diffractierooster en emissie van laserniveaus hoger dan Klasse 3R mogelijk maakt.
- Richt lasers NOOIT op mens of dier.
- Kijk NOOIT direct in de laseropening of laserstraal.
- Richt lasers NOOIT op gebieden waar mensen er aan kunnen worden blootgesteld.
- Richt lasers NOOIT op sterk reflecterende oppervlakken, zoals ramen, spiegels en glimmend metaal. Zelfs laserreflecties kunnen gevaarlijk zijn.
- Richt een laser nooit op een vliegtuig; dat is een misdrijf.
- Richt nooit oneindige laserstralen op de open lucht.
- Stel de optische uitgangselementen (opening) niet bloot aan agressieve chemische schoonmaakmiddelen.
- De laser niet gebruiken als de behuizing is beschadigd, open is, of als de optische onderdelen op wat voor wijze dan ook beschadigd lijken.
- De behuizing van de laser nooit openen. Het hoge vermogen van de laser binnen de beschermende behuizing kan brand veroorzaken of de huid verbranden en zal leiden tot direct oogletsel.
- Laat dit product nooit onbemand draaien.
- Het gebruik van een lasershow van Klasse 3R is alleen toegestaan als de lasers worden gebruikt door een geschoolde en goed getrainde professional die bekend is met de gegevens die zijn opgenomen in deze handleiding.
- De wettelijke vereisten voor het gebruik van laserproducten voor amusement verschillen van land tot land. De gebruiker is zelf verantwoordelijk voor de wettelijke vereisten in de locatie/het land van gebruik.



LET OP! Gebruik dit apparaat niet op een andere wijze dan is vermeld in deze gebruikershandleiding. Het niet volgen van de instructies zal de garantie doen vervallen, kan het product beschadigen of de gebruiker of het publiek verwonden.

LET OP! Dit product mag niet worden afgevoerd met het huishoudelijk afval. Neem contact op met uw plaatselijke afvalbeheerdienst voor regelgeving met betrekking tot elektronisch afval in uw gebied.

Disclaimer

De informatie en specificaties in dit document kunnen zonder voorafgaande kennisgeving worden gewijzigd. Chauvet aanvaardt geen verantwoordelijkheid of aansprakelijkheid voor fouten of ontbrekende informatie in deze handleiding en behoudt zich het recht voor om deze handleiding op elk gewenst moment te herzien of recreëren. Download de laatste versie van <http://www.chauvetlighting.com/product-manuals-literature/>.

© Copyright 2015 Chauvet. Alle rechten voorbehouden.

Afgedrukt in P.R.C.

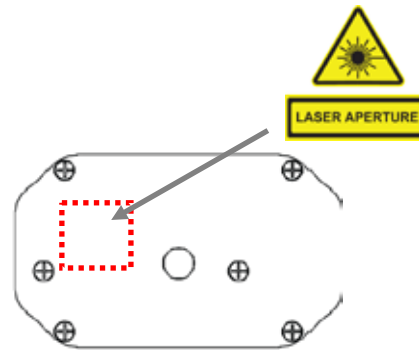
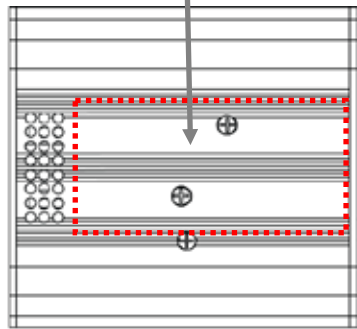
Elektronisch uitgegeven door Chauvet in de Verenigde Staten van Amerika.

Auteur	Datum	Redacteur	Datum
R. Isenstadt	26/03/15	M. Trouard	13/05/15

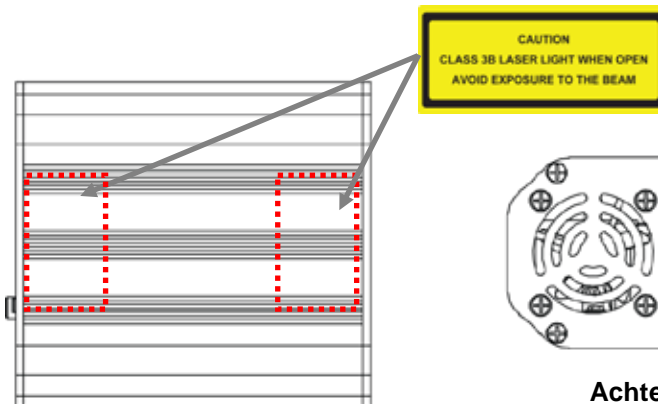
Reproductie van veiligheidsetiket voor de laser



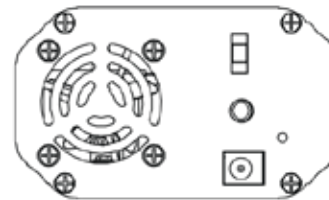
Onderzijde



Voorzijde



Bovenzijde



Achterzijde

Blootstellingswaarschuwing van de laser



VERMIJD DIRECTE BLOOTSTELLING AAN LASERLICHT

Verdere richtlijnen en veiligheidsprogramma's voor het veilige gebruik van lasers zijn te vinden in de ANSI Z136.1 Standaard "voor het veilige gebruik van lasers", beschikbaar bij het Laser Institute of America: www.laserinstitute.org. Vele plaatselijke overheden, bedrijven, agentschappen, legers en andere instanties vereisen allemaal dat lasers worden gebruikt onder de richtlijnen van ANSI Z136.1. De richtlijn voor laservertoning kan worden verkregen via de International Laser Display Association: www.laserist.org.

Emissiegegevens van de laser

Zoals gemeten onder IEC-meetomstandigheden voor classificatie

Laserclassificatie	Klasse 3R
Groene lasermedium	DPSS Nd:YVO4, 532 nm/30 mW
Rode lasermedium	LD GaAlAs, 650 nm/100 mW
Diameter van de straal	<5 mm bij de opening
Pulsgegevens	Alle pulsen < 4 Hz (>0.25 sec)
Divergentie (elke straal)	<2 mrad
Divergentie (totale licht)	<160 graden
Laservermogen van elke straal vanaf de opening	<5 mW

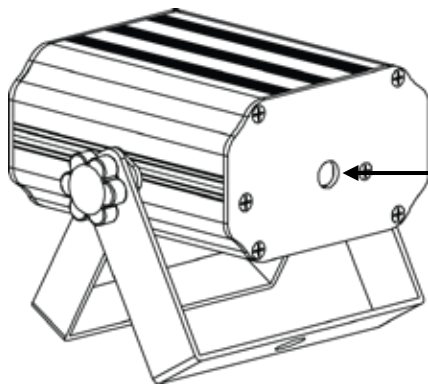
Nalevingsverklaring van de laser

Dit laserproduct voldoet aan EN/IEC 60825-1 Ed 2, 2007-03, en U.S. FDA/CDRH FLPPS via de voorwaarden van Laser Notice nr. 50 gedateerd op 24 juni 2007. Dit laserapparaat is geclassificeerd als 3R. (Klasse 3R is het internationale equivalent is van U.S. Class IIIa.) Er is geen onderhoud nodig om dit product in overeenstemming te houden van de laserprestatienormen.

2. INLEIDING

Overzicht

Laser



Laseropening

Muziek/aan/uit

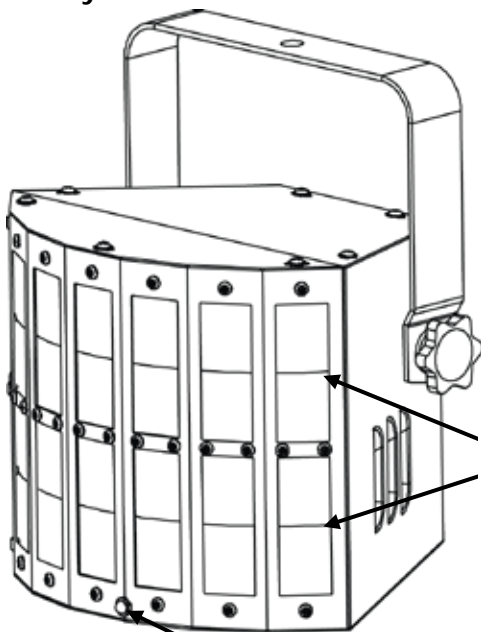
Afstelling van de
motorsnelheid

Gelijkstroomingang

Microfoon

Vooraanzicht

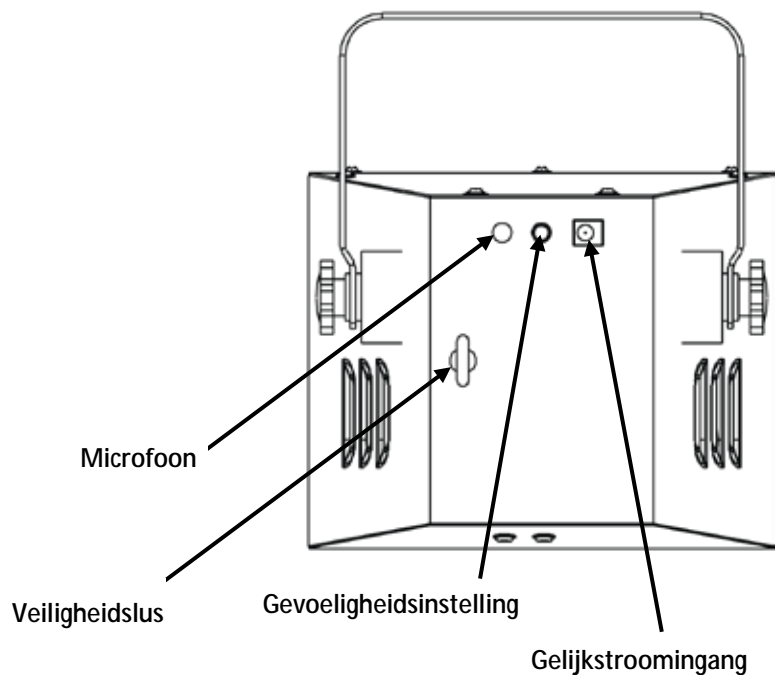
Derby



Lenzen

IR
Sensor

Achterpaneelaanzicht



Microfoon

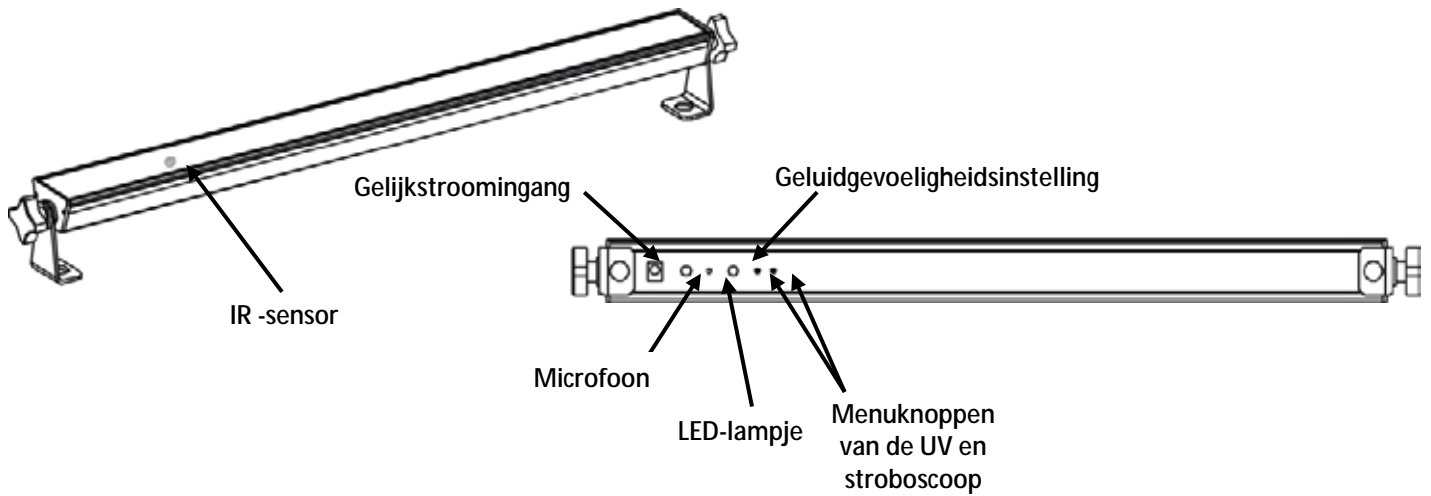
Veiligheidslus

Gevoeligheidsinstelling

Gelijkstroomingang

Overzicht (vervolg)

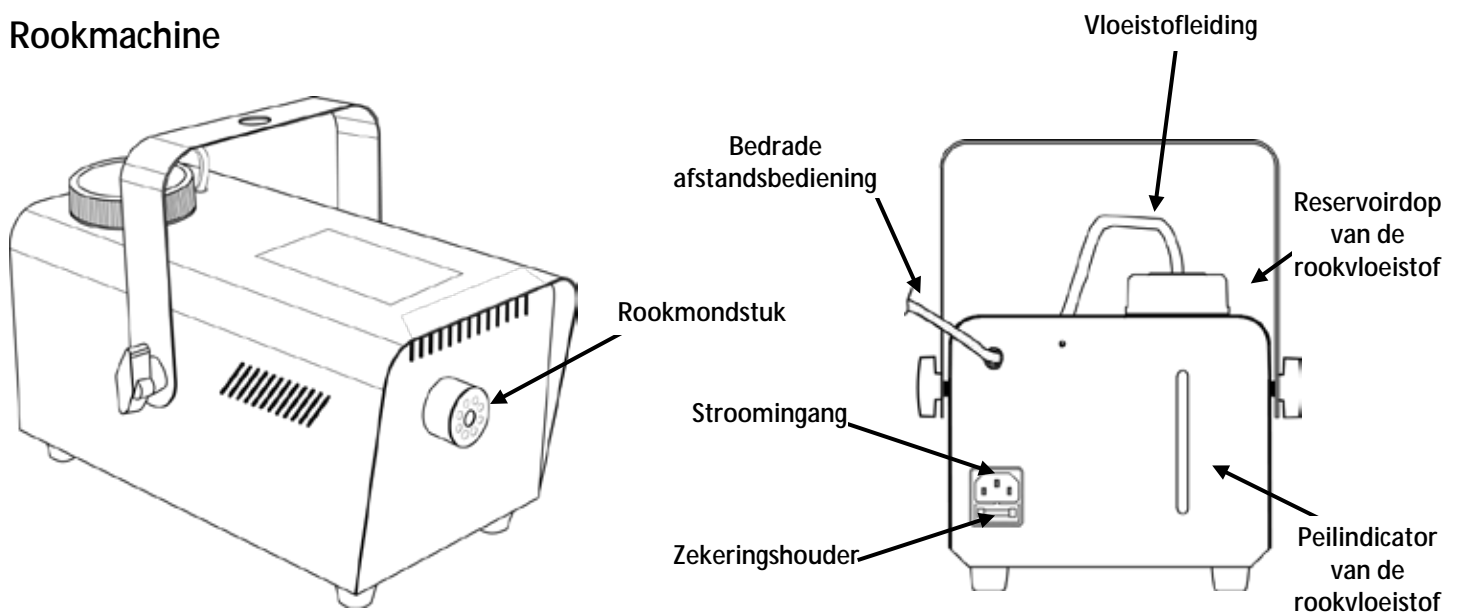
UV-stroboscoop combinatie



Vooraanzicht

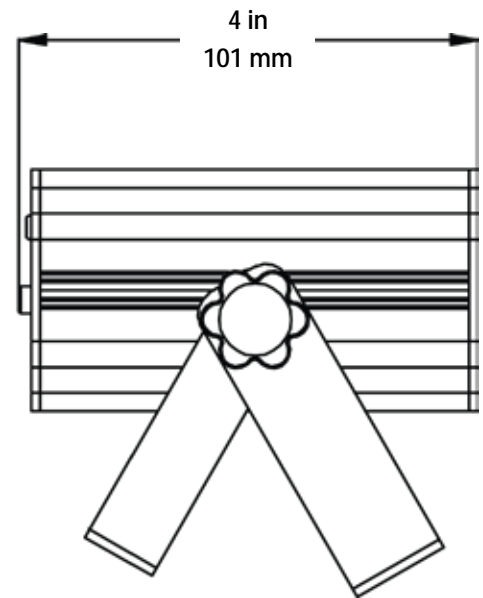
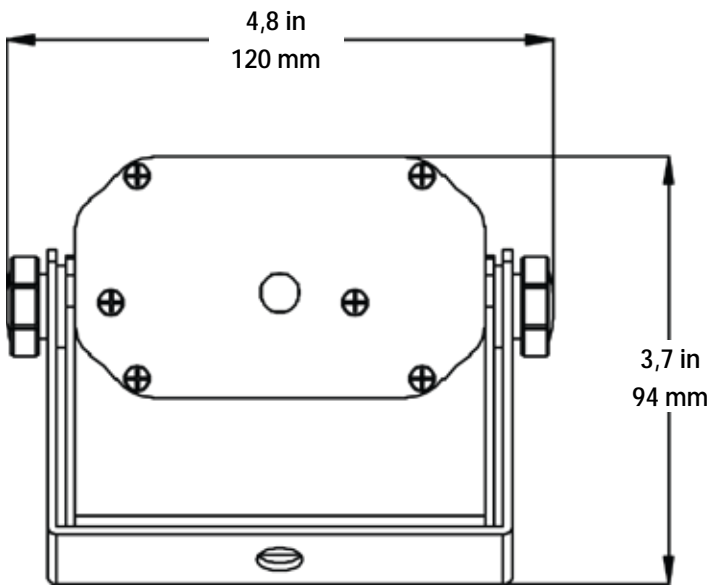
Achterpaneelaanzicht

Rookmachine

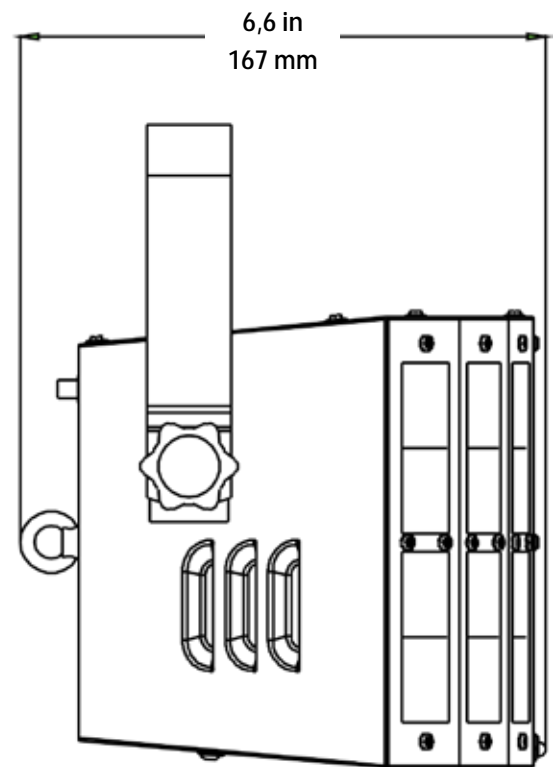
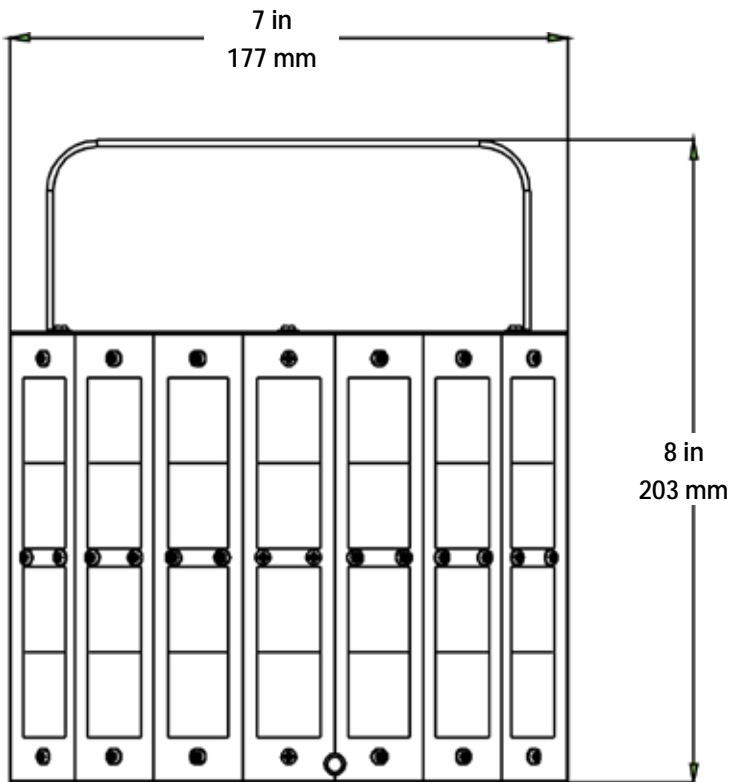


Afmetingen

Laser

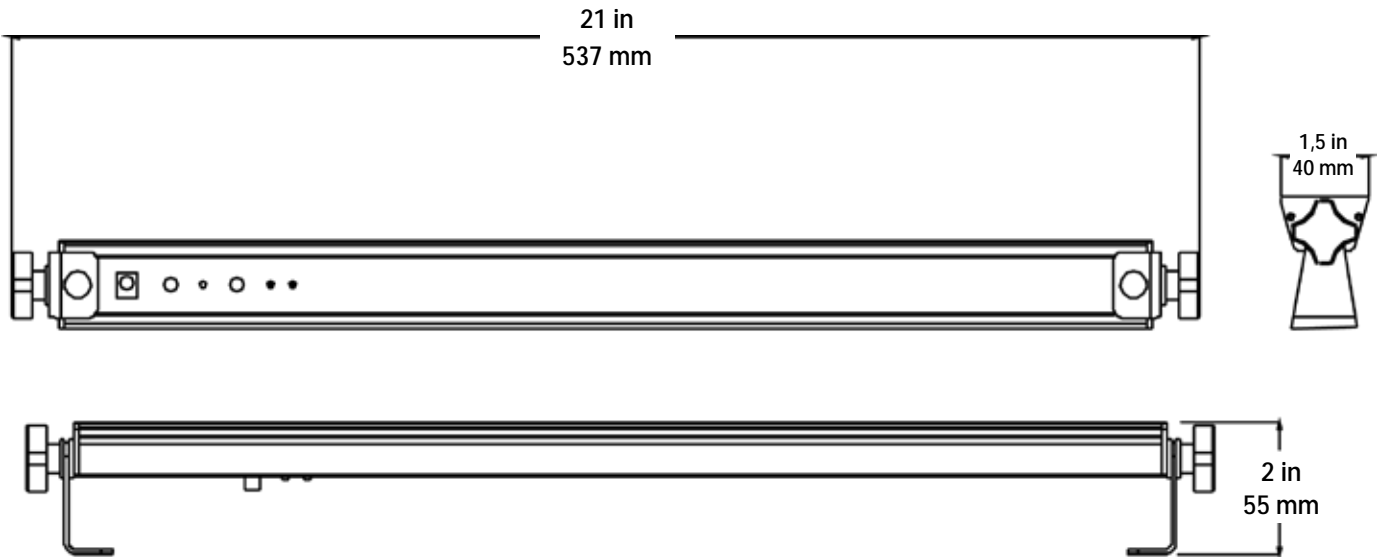


Derby

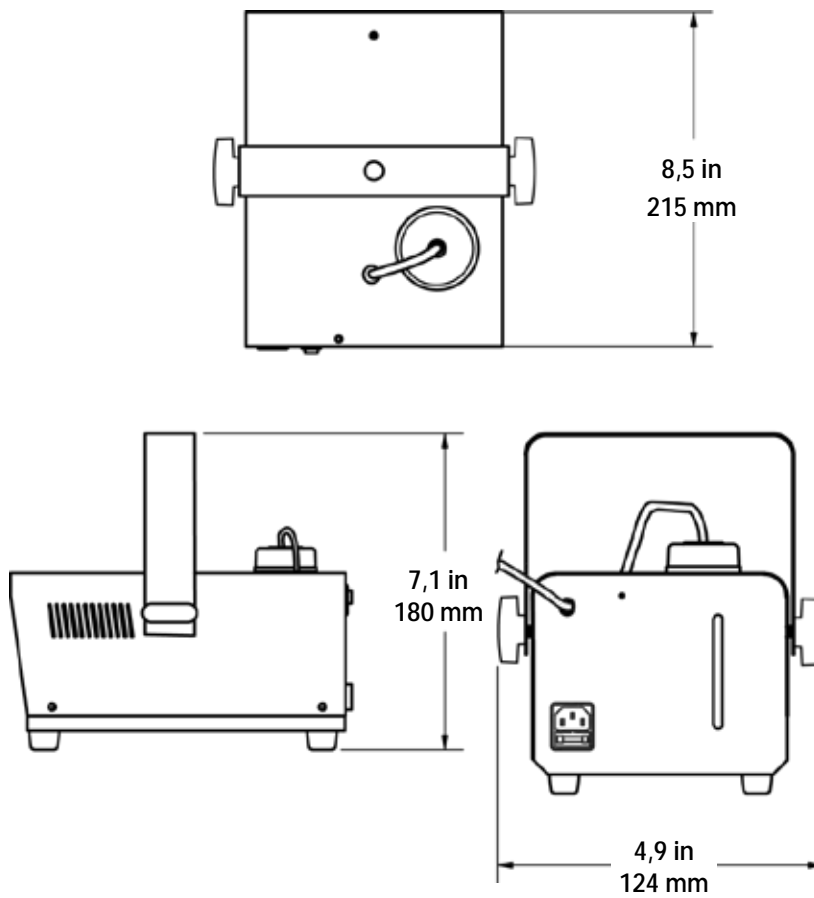


Afmetingen (vervolg)

UV-stroboscoop combinatie



Rookmachine



3. INSTELLING

Wisselstroom bij de rookmachine

De JAM Pack™ Gold-rookmachine heeft een stroomtoevoer met vaste spanning en het kan werken met een ingangsspanning van 120 VAC bij 60 Hz.

Het gemelde spanningsvermogen geeft het gemiddelde stroomverbruik aan onder normale omstandigheden.



- **Sluit het product altijd aan op een beschermd circuit (aardlekschakelaar of zekering). Zorg ervoor dat het product voldoende elektrisch is geaard om het risico op elektrocutie of brand te vermijden.**
- **Sluit om onnodige slijtage te verhinderen en de levensduur te verlengen tijdens periodes van niet-gebruik het product via stroomonderbreker of de stekker volledig van stroom af.**



Sluit het product nooit aan op een rheostat (variabele weerstand) of dimmercircuit, zelfs als het rheostat- of dimmerkanaal alleen dient als een 0 tot 100%-schakelaar dient.

Vervanging van de zekering op de rookmachine

1. Ontkoppel de rookmachine van de stroom.
2. Wig de punt van een platte schroevendraaier in de sleuf van de zekeringhouder.
3. Druk de beveiligingskap uit de behuizing.
4. Verwijder de doorgebrande zekering vanaf de clip aan de voorkant van de veiligheidsafdekking en vervang deze door een zekering van exact hetzelfde type.
5. Plaats de zekeringhouder terug en steek de stekker er weer in.



Het product komt niet met een reservezekering; de beveiligingskap heeft echter wel ruimte voor een reservezekering.



Vervang een doorgebrande zekering altijd met een zekering van hetzelfde type en met dezelfde waarde.

Externe wisselstroomvoedingen

De JAM Pack™ Gold-producten (de rookmachine uitgezonderd) hebben een externe voeding met automatisch wisselend bereik en kan werken met een ingangsspanningsbereik van 100 tot 240 VAC, 50/60 Hz.

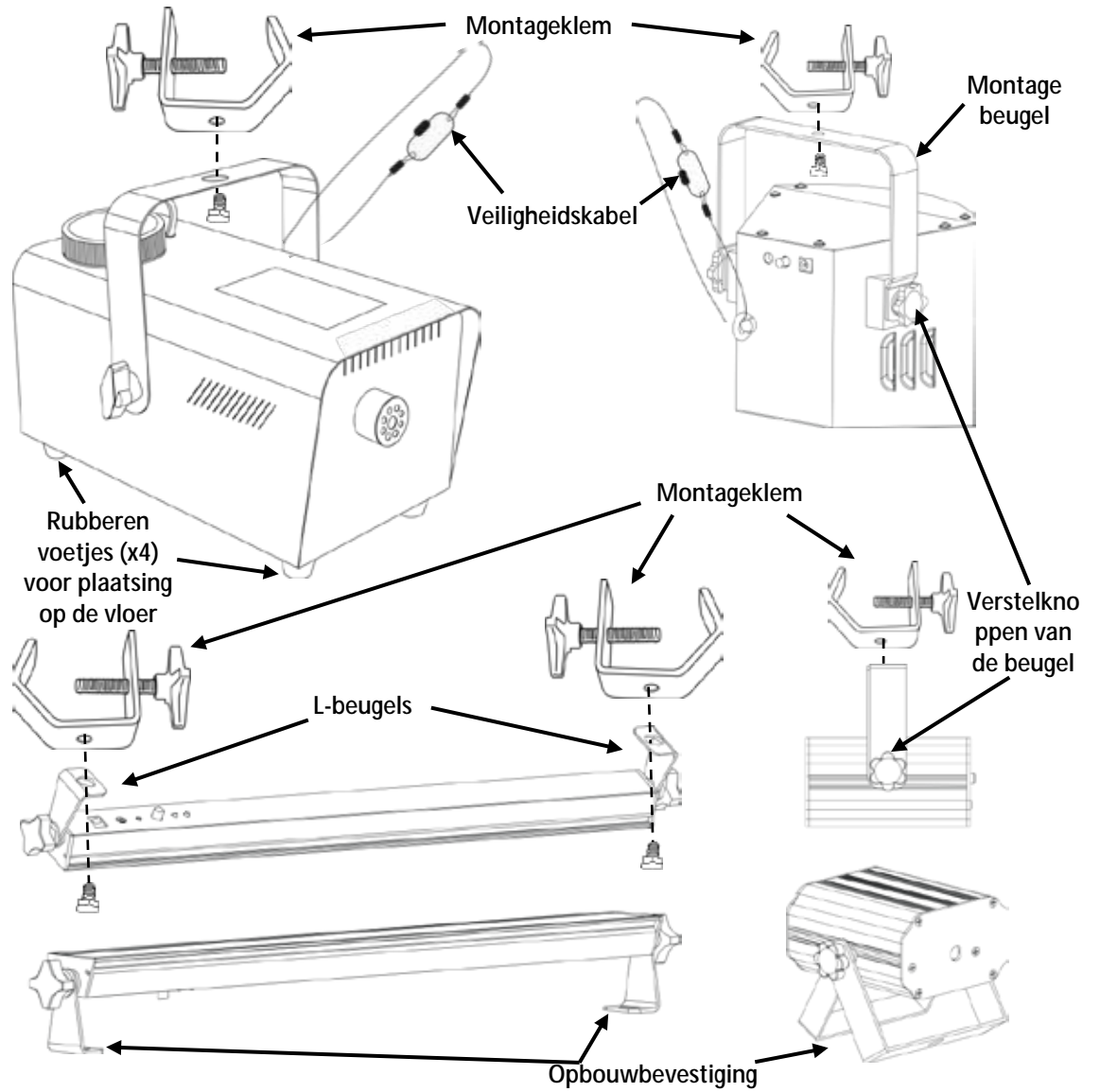
Montage Vóór montage van het product moet u de veiligheidsaanbevelingen lezen en volgen die zijn aangegeven in de [veiligheidsvoorschriften](#). De JAM Pack™ Gold-producten kunnen worden opgebouwd, maar als u ervoor kiest om ze overhangend te monteren met het montagegat, doe dit dan met een schroef, moer en bout of een hanglamp. Denk bij het optuigen aan routineonderhoud. Zie de volgende opmerkingen over installatie.

Oriëntatie De JAM Pack™ Gold-producten moeten worden gemonteerd in een positie volgens de planning voor veilig lasergebruik. Daarnaast moet er in voldoende ventilatie rond het product zijn voorzien.

Installatie (opbouw)

- Vóór het nemen van een besluit over de locatie van het product, moet u er altijd voor zorgen dat er eenvoudige toegang is tot het product, voor onderhoud en programmering.
- Controleer of de constructie of het oppervlak waar u het product op monteert het gewicht van het product kan dragen (zie [technische specificaties](#)).
- Gebruik altijd een veiligheidskabel wanneer het product boven lichaamshoogte wordt gemonteerd. Monteer het product stevig aan een bevestigingspunt, zoals een verhoogd platform of een spant.
- Bij het richten van de producten kunt u de verstelknop(pen) van de beugel gebruiken. Maak de knop(pen) los, stel ze af naar de gewenste hoek en maak de knop(pen) daarna vast door ze met de klok mee te draaien. Gebruik voor deze stap geen gereedschap, aangezien dit schade kan veroorzaken.

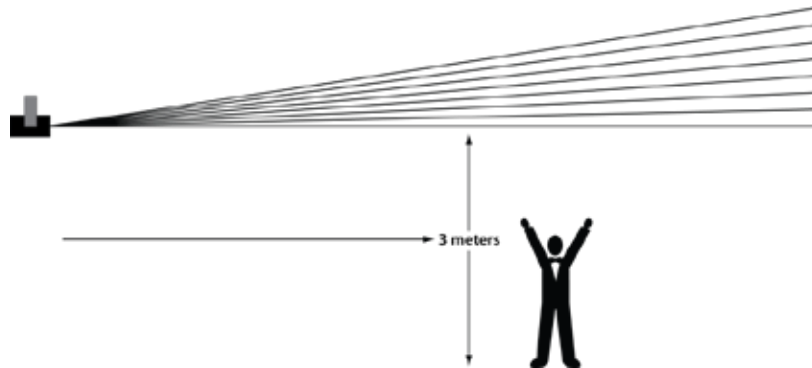
Montagediagram



Correct gebruik

Dit laserproduct is alleen geschikt voor gebruik boven lichaamshoogte. Voor veiligheidsdoeleinden raadt Chauvet aan om lichteffectproducten te bevestigen aan stabiele verhoogde platformen of stevige overhangende steunen, met geschikte hangklemmen. Gebruik in alle gevallen veiligheidskabels. Haal geschikte bevestigingsapparatuur bij uw verlichtingsleverancier.

Internationale regelgeving omtrent veiligheid rond lasers, vereist dat laserproducten moeten worden bediend op de wijze die hieronder is geïllustreerd, met minimaal 3 meter verticale scheiding tussen de vloer en het laagste laserlicht. Daarnaast is 3 meter horizontale scheiding vereist tussen laserlicht en het publiek of ruimtes met publiek.



LET OP! Het gebruik van bedieningselementen, wijzigingen of procedures anders dan DIE zijn gespecificeerd IN DEZE GEBRUIKERSHANDLEIDING, kan leiden tot blootstelling aan gevaarlijke straling.

4. WERKING

Dit laserproduct is niet ontworpen voor onafgebroken gebruik. Zorg dat er regelmatige pauzes zijn tijdens het gebruik, om de levensduur van uw laser te maximaliseren. Ontkoppel JAM Pack™ Gold-producten altijd van de stroom als ze niet in gebruik zijn.

Bedrade afstandsbediening van de rookmachine

Schakel de rookmachine in met de meegeleverde bedrade afstandsbediening. Het LED-lampje op de afstandsbediening geeft aan wanneer de rookmachine de vereiste gebruikstemperatuur heeft bereikt. Druk op de afstandsbedieningsknop om tijdelijk rook uit te stoten. De kabellengte van de bedrade afstandsbediening is 4 m.

Werking van het bedieningspaneel van de UV-stroboscoop

Toets	Functie
<UV ON/OFF>	Schakelt het UV-blacklight aan of uit.
<STROBE MODE>	Regelt de stroboscoopmodus



- Het LED-lampje gaat knipperen als de stroboscoopmodus aan is
- Het LED-lampje brandt onafgebroken in de geluidsactieve modus

UV-stroboscoop combinatie	Stroboscoopmodi	Funcie	Sub-optie	LED-status
		Zeer snel (20–30 Hz)	1 x drukken	Knipperen
		Snel (10-20 Hz)	2 x drukken	Knipperen
		Middelhoog (5–10 Hz)	3 x drukken	Knipperen
		Langzaam (1–5 Hz)	4 x drukken	Knipperen
		Zeer langzaam (0,5-1 Hz)	5 x drukken	Knipperen
	Uit		6 x drukken	Statisch aan
	Geluidsactieve modus		7 x drukken	Statisch aan
	Statisch aan		8 x drukken	Statisch aan












Gebruik van de laserbediening sschakelaar











Toets	Funcie
<MUSIC/ON/OFF>	Schakelt tussen muziek (geluidsactieve) modus, aan of uit.

IRC-6 afstandsbediening (infrarood afstandsbediening)

De producten van JAM Pack™ Gold zijn compatibel met de IRC-6 afstandsbediening van Chauvet, met uitzondering van de laser en de rookmachine.

De volgende IRC-6 toetsen worden gebruikt met de producten van JAM Pack™ Gold:

-  Schakelt led aan/uit
-  Selecteert geluidsmodus
-  Start/stop van de stroboscoop (0–20 Hz)
-  Selecteert automatische modus
-  Snelheid van de stroboscoop omhoog of omlaag
-  Snelheid van de stroboscoop omhoog of omlaag
-  Statisch rood
-  Statisch groen
-  Statisch blauw
-  Schakelt de UV aan/uit voor de UV-stroboscoop
-  Schakelt wit licht aan/uit voor de UV-stroboscoop

- | | |
|--|---|
|  Rood/Groen/Blauw |  Groen/Blauw |
|  Rood |  Blauw |
|  Rood/Groen |  Rood/Blauw |
|  Rood/Groen |  Rood/Blauw |
|  Groen |  Rood/Groen |



Geen Funcie



Als de producten dicht bij elkaar staan reageren ze (met uitzondering van de laser en de rookmachine) vanaf een afstand tegelijkertijd op de IRC-6. Om op afstand een individueel product te selecteren, moet de IRC-6 alleen op het gewenste product gericht worden.

5. TECHNISCHE INFORMATIE

Algemeen onderhoud van het product

De ophoping van stof verlaagt de lichtemissieprestaties en kan oververhitting veroorzaken. Om optimale prestaties te behouden moet het product ten minste tweemaal per maand gereinigd worden.

Het gebruik en omgevingsomstandigheden kunnen echter ook bijdragen aan de schoonmaakfrequentie.

Volg onderstaande instructies om het product te reinigen:

1. Haal het apparaat van de stroom.
2. Wacht totdat het product op kamertemperatuur is.
3. Gebruik een stofzuiger (of droge perslucht) en een zachte borstel om opgehoopt stof van de externe oppervlakken en ventilatiegaten te verwijderen.
4. Reinig het transparante paneel (laseropening) met een milde oplossing van glasreiniger zonder ammonia of isopropylalcohol.
5. Pas de schoonmaak oplossing direct toe op een zachte, pluisvrije katoenen doek of een brillendoekje.
6. Veeg vuil of roet voorzichtig naar de buitenrand van het glas.
7. Poets het transparante oppervlak voorzichtig totdat het vrij is van waas en pluisjes.



Droog de optische oppervlakken altijd zorgvuldig na het reinigen.



Draai de koelventilator niet rond met perslucht, omdat u het dan kunt beschadigen.

Zorg ervoor dat de rookmachine niet verstopt raakt. Na elke 40 uur continu gebruik moet u CHAUVET® Fog Cleaner Quart (FCQ) in het systeem gebruiken om de ophoping van vaste deeltjes in het verwarmingselementen te vermijden.

De aanbevolen reinigingsprocedure is als volgt.

Onderhoud van de rookmachine

1. Haal het apparaat van de stroom.
2. Haal alle rookvloeistof uit de machine.
3. Voeg de schoonmaakoplossing toe aan het reservoir.
4. Sluit het product aan op de voeding en laat het opwarmen.
5. Gebruik het apparaat in een goed geventileerd gebied, totdat het reservoir bijna leeg is. Laat de pomp niet droogvallen.
6. Vul het reservoir bij met rookvloeistof om de rookmachine te blijven gebruiken. Gebruik de machine kort om alle achtergebleven schoonmaakoplossing uit de pomp en de verwarmers te verwijderen.



Gebruik de machine nooit zonder vloeistof.



FCQ (Fog Cleaner Quart) is specifiek door Chauvet ontwikkeld om uw Hurricane™ 700 te reinigen. Zorg ervoor dat u regelmatig FCQ gebruikt, er dat er niet meer dan 90 dagen tussen schoonmaakbeurten zit, om de levensduur van uw product te verlengen.

Opslag

Vóór het opslaan van de rookmachine, moet FCQ door het systeem worden gehaald, zoals is beschreven in de reinigingsprocedure hierboven; volg echter alleen stappen 1 tot en met 5. **Vul het reservoir niet bij met rookvloeistof als de rookmachine wordt opgeslagen.** Het reinigen van het systeem vóór opslag helpt vermijden dat deeltjes binnen de pomp of de verwarmers condenseren als die niet in gebruik zijn.



Test uw rookmachine maandelijks om de beste prestaties te halen.

6. ALGEMENE PROBLEMEN MET DE ROOKMACHINE OPLOSSEN

Symptoom	Mogelijke oorzaak	Mogelijke actie
Er komt niets uit de rookmachine of er komt vloeistof uit de machine	Onjuiste vloeistof	Grondig reinigen met CHAUVET® FCQ. Zie Onderhoud van de rookmachine voor volledige instructies. Bijvullen met rookvloeistof op waterbasis van CHAUVET®.
	Verstopte leiding of defect onderdeel	Neem contact op met de klantenservice
De aardlekschakelaar of de zekering blijft steeds doorbranden	Te hoge belasting van het circuit	Zorg ervoor dat de totale belasting niet hoger is dan 80% van de nominale stroomsterkte van de aardlekschakelaar of de zekering
	Kortsluiting over de stroomkabels	Controleer de stroomkabels en stroomsnoeren
Het product warmt niet op	Geen spanning op het stopcontact	Controleer het stopcontact Kies een ander stopcontact
	Los of beschadigd stroomsnoer	Controleer het stroomsnoer
	Doorgebrande zekering	Vervang de doorgebrande zekering met een werkende zekering van hetzelfde type en met dezelfde waarde.
	Intern probleem	Stuur het product op voor reparatie
Product stopt met pompen/hard geluid	Weinig/geen vloeistof	Vul het product bij met vloeistof
	Het beschermingssysteem van de pomp is ingeschakeld	Maak de handmatige rookknop los en druk het opnieuw in om het beschermingssysteem van de pomp te herstellen



Als u nog steeds problemen hebt na het proberen van de hier gepresenteerde oplossingen, kunt u contact opnemen met de technische ondersteuningsdienst van Chauvet. Zie [Neem contact Op](#).

7. TECHNISCHE SPECIFICATIES

Afmetingen en gewicht

JAM Pack™ Gold

	Lengte	Breedte	Hoogte	Gewicht
Mini Laser	4 in (101 mm)	4,8 in (120 mm)	3,7 in (94 mm)	0,6 lb
Rookmachine	8,5 in (215 mm)	4,9 in (124 mm)	7,1 in (180 mm)	4 lb
Mini Derby	6,6 in (167 mm)	7 in (177 mm)	8 in (203 mm)	2,4 lb
UV-stroboscoop	21 in (537 mm)	1,5 in (40 mm)	2 in (55 mm)	0,6 lb

Let op: Afmetingen in inches moeten worden afgerond naar de dichtstbijzijnde decimaal

Vermogen

Waarde	Laser, Derby, UV-stroboscoop	Externe stroomvoeding		Rookmachine	
Ingangsspanning	Vast	Schakelend		Vast	
Bereik	12 VDC, 1 A	100–240 VAC, 50/60 Hz		120 VAC, 60 Hz	
Spanningsselectie	Vast	Automatisch wisselend bereik		Vast	
	Parameter (120 V, 60 Hz)	Rookmachine	Derby	Laser	UV-stroboscoop
	Verbruik	471 W	10 W	4 W	12 W
	Bedrijfsstroom	3,9 A	150 mA	68 mA	180 mA
	Zekering	F 5 A, 250 V	N/B	N/B	N/B
Rookmachine	Stroom I/O	VS/wereldwijd			
	Stroomingangsstekker	IEC			
	Stroomsnoerstekker	Edison (VS)			
Laser, Derby en UV-stroboscoop	Stroom I/O	VS/wereldwijd			
	Stroomingangsstekker	Gelijkstroomingang			
	Voedingsmodules	12 V gelijkstroom/wisselstroomadapter			

Lichtbron

Laser	Type	Vermogen	Golflengte
	Laser (groen)	30 mW	532 nm
	Laser (rood)	100 mW	650 nm

Led

Derby	Type	Vermogen	Levensduur
	LED	6 W	50.000 uur
	Kleur	Aantal	Stroomsterkte
	Rood	1	1,76 A
	Groen	1	1,76 A
	Blauw	1	1,76 A
UV-stroboscoop	Type	Vermogen	Levensduur
	LED (CW)	600 mW	50.000 uur
	LED (UV)	1,05 W	50.000 uur
	Kleur	Aantal	Stroomsterkte
	Wit	4	190 mA
	UV	5	310 mA

JAM Pack™ Gold (cont.)

Rookmachine

Werking/capaciteit/verbruik	Opwarmtijd	Capaciteit van het reservoir	Vloeistofverbruik
	2,5 min	0,6 l	7,5 ml/min
Div.	Uitvoer		
	1500 cfm		
Bedrade afstandsbediening	Lengte		
	4 m		
Thermisch	Algemene maximale externe temp.	Maximale externe temp. van de laser	Koelsysteem
	40 °C	35 °C	Ventilatorgekoeld en convectie
Bestellen	Productnaam	Item Code	UPC-code
	JAM Pack™ Gold	10050956	781462213046



RETOUREN

Als u ondersteuning nodig hebt of een product wilt retourneren:

- Neem contact op met het Chauvet wereldwijde hoofdkwartier als u zich in de VS bevindt.
- Als u zich binnen het Verenigd Koninkrijk of Ierland bevindt, neem dan contact op met Chauvet Europe Ltd.
- Als u zich in Mexico bevindt, neem dan contact op met Chauvet Mexico.
- Als u zich in Benelux bevindt, neem dan contact op met Chauvet Europe BVBA.
- Als u zich in een ander land bevindt, neem dan GEEN contact op met Chauvet. Neem in plaats daarvan contact op met uw plaatselijke distributeur. Zie www.chauvetlighting.com voor distributeurs buiten de VS, het Verenigd Koninkrijk, Ierland, Mexico of Benelux.



Als u zich buiten de VS, het Verenigd Koninkrijk, Ierland, Mexico of Benelux bevindt, neem dan contact op met uw geregistreerde distributeur en volg hun instructies over het retourneren van Chauvet-producten naar hen. Ga naar onze website www.chauvetlighting.com voor contactinformatie.

Bel de corresponderende technische afdeling van Chauvet en vraag om een retouropdrachtformulier (RMA)-nummer vóór het verzenden van het product. Zorg dat u het modelnummer, serienummer en een korte beschrijving van de retouroorzaak bij de hand hebt.

Stuur het product gefrankeerd, in zijn originele doos en met zijn originele verpakking en accessoires. Chauvet geeft geen telefoon-tags.

Label het pakket duidelijk met het RMA-nummer. Chauvet weigert producten die worden geretourneerd met een RMA-nummer.



Schrijf het RMA-nummer op een voldoende bevestigd etiket. Schrijf het RMA-nummer NIET direct op de doos.

Vóór het verzenden van het product moet u de volgende informatie duidelijk op een stuk papier schrijven en het binnen de doos plaatsen:

- Uw naam:
- Uw adres:
- Uw telefoonnummer
- RMA-nummer
- Een korte beschrijving van het probleem

Zorg ervoor dat u het product voldoende inpakt. Alle verzendschade die resulteert uit onvoldoende verpakking is uw verantwoordelijkheid. FedEx-verpakking of dubbele dozen worden aanbevolen.



Chauvet behoudt zich het recht voor om (het) geretourneerde product(en) naar eigen inzicht te repareren of te vervangen.

NEEM CONTACT OP

HOOFDKANTOOR WERELD - Chauvet

Algemene Informatie

Adres: 5200 NW 108th Avenue
Sunrise, FL 33351
Bandopname: (954) 577-4455
Fax: (954) 929-5560
Toll free: (800) 762-1084

Technische Support

Bandopname: (954) 577-4455 (druk op 4)
Fax: (954) 756-8015
E-mail: tech@chauvetlighting.com

World Wide Web www.chauvetlighting.com

VERENIGD KONINKRIJK EN IERLAND - Chauvet Europe Ltd.

Algemene Informatie

Adres: Unit 1C
Brookhill Road Industrial Estate
Pinxton, Nottingham, UK
NG16 6NT
Bandopname: +44 (0)1773 511115
Fax: +44 (0)1773 511110

Technische Support

E-mail: uktech@chauvetlighting.com

World Wide Web www.chauvetlighting.co.uk

MEXICO - Chauvet Mexico

Algemene Informatie

Adres: Av. Santa Ana 30
Parque Industrial Lerma
Lerma, Mexico C.P. 52000
Bandopname: +52 (728) 285-5000

Technische Support

E-mail: servicio@chauvet.com.mx

World Wide Web www.chauvet.com.mx

CHAUVET EUROPE - Chauvet Europe BVBA

General Information

Address: Stokstraat 18
9770 Kruishoutem
Belgium
Voice: +32 9 388 93 97

General Information

Address: Stokstraat 18
9770 Kruishoutem
Belgium
Voice: +32 9 388 93 97

Van buiten de VS, Verenigd Koninkrijk, Ierland, Mexico, of Benelux kunt u contact opnemen met de distributeur. Volg hun instructies om support aan te vragen of om een product te retourneren. Ga naar onze website voor contactinformatie.