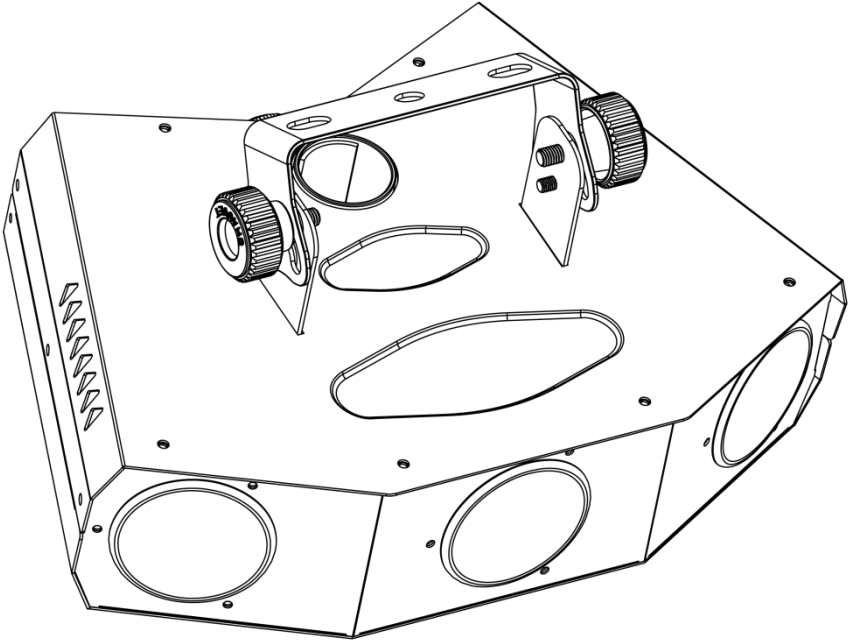


Mega Trix™

Quick Reference Guide



CHAUVET®
Value · Innovation · Performance

It's Green Thinking

About This Guide

The Mega Trix™ Quick Reference Guide (QRG) contains the product's connection and mounting information, as well as the menu options and the DMX values.

Disclaimer

- Refer to this product's User Manual for detailed information and instructions. You can download the User Manual from the CHAUVET® website: www.chauvetlighting.com.
- Read ALL the disclaimers and Safety Notes in this document as well as those in the product's User Manual before installing, operating, or maintaining this product.

Safety Notes

These Safety Notes include important safety information about installation, usage, and maintenance.



- Always connect this product to a grounded circuit to avoid the risk of electrocution.
- Always disconnect from the power source before cleaning this product or replacing the fuse.
- Avoid direct eye exposure to the light source while the product is on.
- Make sure the power cord is not crimped or damaged.
- If mounting this product overhead, always secure it to a fastening device using a safety cable.
- Make sure there are no flammable materials close to the unit while operating.
- Do not touch this product's housing when operating because it may be very hot



- Always make sure that the voltage of the outlet to which you are connecting this product is within the range stated on the decal or rear panel of the product.
- This product is for indoor use only! (IP20) To prevent risk of fire or shock, do not expose this product to rain or moisture.
- Always install this product in a location with adequate ventilation, at least 20 in (50 cm) from adjacent surfaces.
- Be sure that no ventilation slots on the unit's housing are blocked.
- Never connect this product to a dimmer.
- Make sure to replace the fuse with the same type and rating.
- Never carry this product from the power cord or any moving part. Always use the hanging/mounting bracket or the handles.
- The maximum ambient temperature is 104° F (40° C). Do not operate this product at higher temperatures.
- In the event of a serious operating problem, stop using this product immediately.
- Never try to repair this product. Repairs performed by unauthorized technicians can lead to damage or malfunction. Please contact the nearest authorized technical assistance center.

What Is Included

- One Mega Trix™
- One Warranty Card
- One Power Cord
- One Quick Reference Guide

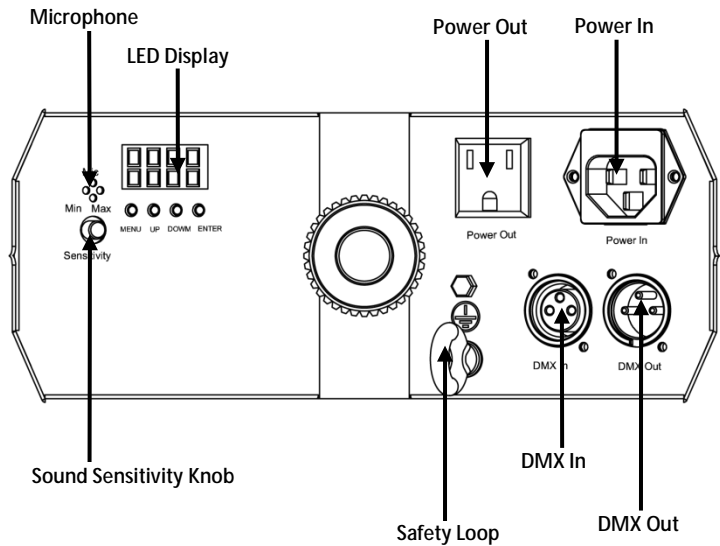
Before You Begin

Prior to using your Mega Trix™, ensure that you have received all parts indicated above in good condition. If the container or material inside appear damaged or show signs of mishandling, notify the carrier immediately, not CHAUVET®.

Product Description

The Mega Trix™ is a lightweight, animated DMX effect light. Super-crisp optics create sharp beams of light with flowing animations from pod-to-pod with no moving parts. Mounting easily to most tripods and speaker stands, the Mega Trix™ also offers power linking to save time and clutter.

Product Overview



AC Power This product has an auto-ranging power supply that works with an input voltage range of 100~240 VAC, 50/60 Hz.

Power Linking You can link up to 17 Mega Trix™ units at 120 VAC and 32 units at 230 VAC. You should never exceed this number.

Fuse Replacement To replace the fuse in the Mega Trix™, use the following steps:

1. Disconnect this product from the power outlet.
2. Wedge the tip of a flat head screwdriver into the slot of the fuse holder.
3. Pry the safety cap out of the housing pulling out the installed fuse.
4. Remove the blown fuse from the safety cap and replace with a fuse of the exact same type and rating.
5. Insert the fuse holder back in place and reconnect power.

Menu Options

Main Level	Programming Levels		Description
DMX Address	d 1	001-512	Sets the DMX starting address
Auto Program	AUTO		Turns on auto program
Program Speed	S--	S 1-S100	Sets auto program speed
Sound Active	SND		Turns on sound active mode

Programming For details on how to program this product, please refer to the product's User Manual.

Control Panel Description

Button	Function
<MENU>	Exits from the current menu or function.
<ENTER>	Enables the currently displayed menu or sets the currently selected value into the selected function.
<UP>	Navigates upwards through the menu list and increases the numeric value when in a function.
<DOWN>	Navigates downwards through the menu list and decreases the numeric value when in a function.

DMX Linking The Mega Trix™ can work with a DMX controller when linked using a regular DMX serial connection.

If you are not familiar with the DMX standard, please download the *DMX Primer* document from www.chauvetlighting.com.

DMX Connection The Mega Trix™ uses a regular DMX data connection for its DMX personalities.

Download the *Mega Trix™ User Manual* and refer to the *Setup* chapter to learn how to connect this product for DMX operation, and the *Operation* chapter to learn in detail how to configure this product for DMX operation.

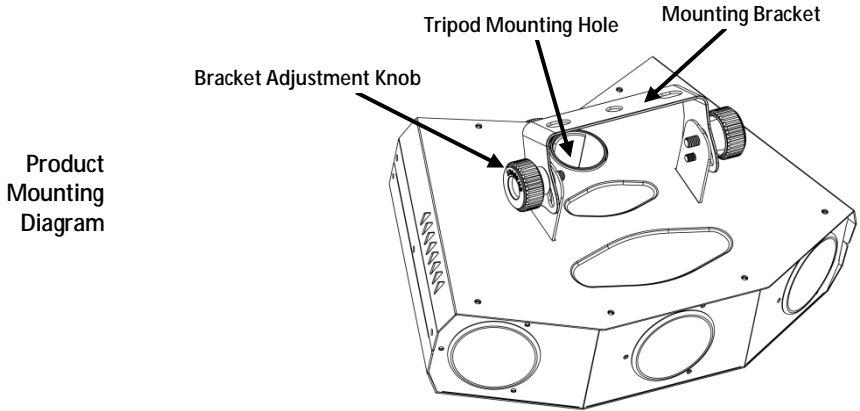
Start Address To ensure full access to all channels in each DMX mode, the highest recommended DMX address is **510**.

Master/Slave Connection The Mega Trix™ uses the DMX data connection for its Master/Slave mode. Download the *Mega Trix™ User Manual* and refer to the *Setup* chapter to learn how to connect this product for Master/Slave operation, and the *Operation* chapter to learn in detail how to configure this product for Master/Slave operation.

DMX Values

3-CH	Channel	Function	Value	Percent/Setting
	1	Auto Programs	000 ◊ 249	Select auto program (1-50)
			250 ◊ 255	Sound Active Mode
	2	Program Speed	000 ◊ 255	0-100% (slow to fast)
	3	Strobe	000 ◊ 255	0-100% (slow to fast)

Mounting Before mounting this product, read the Safety Notes at the beginning of this guide and in the product's User Manual. The mounting instructions are provided in the *Setup* chapter of the User Manual.



Contact Us

World Headquarters

CHAUVET®

General Information

Address: 5200 NW 108th Avenue
Sunrise, FL 33351
Voice: (954) 577-4455
Fax: (954) 929-5560
Toll free: (800) 762-1084

Technical Support

Voice: (954) 577-4455 (Press 4)
Fax: (954) 756-8015
Email: tech@chauvetlighting.com

World Wide Web

www.chauvetlighting.com

United Kingdom and Ireland

CHAUVET® Europe Ltd.

General Information

Address: Unit 1C
Brookhill Road Industrial Estate
Pinxton, Nottingham, UK
NG16 6NT
Voice: +44 (0)1773 511115
Fax: +44 (0)1773 511110

Technical Support

Email: uktech@chauvetlighting.com

World Wide Web

www.chauvetlighting.co.uk

Outside the US, United Kingdom, or Ireland, contact your distributor of record. Follow their instructions to request support or to return a product. Visit our website for contact details.

Mega Trix™ QRG – Rev. 04

© Copyright 2011 CHAUVET®

All rights reserved

Printed in the P. R. C.